



US00D704912S

(12) **United States Design Patent**
Gameiro

(10) **Patent No.:** **US D704,912 S**
(45) **Date of Patent:** **** May 13, 2014**

(54) **IRONING BOARD**

(71) Applicant: **Calor**, Lyons (FR)

(72) Inventor: **Daniel Gameiro**, Leiria (PT)

(73) Assignee: **Calor**, Lyons (FR)

(**) Term: **14 Years**

(21) Appl. No.: **29/434,612**

(22) Filed: **Oct. 15, 2012**

(30) **Foreign Application Priority Data**

Apr. 16, 2012 (EM) 001322457-0001

(51) **LOC (10) Cl.** **07-05**

(52) **U.S. Cl.**
USPC **D32/66**

(58) **Field of Classification Search**
USPC D32/66, 35; D6/429, 555, 572, 574,
D6/567, 691.4, 691.6; 38/103, 104, 106,
38/107, 111, 112, 135-139, 141; 108/28,
108/33, 99, 106, 115, 116, 98, 121, 162;
16/211; D21/526

See application file for complete search history.

(56) **References Cited**

U.S. PATENT DOCUMENTS

D124,329	S	*	12/1940	Parker	D32/66
2,276,881	A	*	3/1942	Schimmel	16/211
2,766,537	A	*	10/1956	Pruitt	38/103
D183,468	S	*	9/1958	Turner	D32/66
D263,781	S		4/1982	Pettersson		
4,956,928	A	*	9/1990	Lehrman	38/107
D426,040	S	*	5/2000	Wicky	D32/66
D427,402	S		6/2000	Kellogg et al.		
D452,596	S	*	12/2001	de Wit	D32/66

6,834,450	B2	*	12/2004	Gross et al.	38/137
D514,766	S		2/2006	Manfiotto		
D520,207	S	*	5/2006	Gross et al.	D32/66
D546,515	S	*	7/2007	Wicky et al.	D32/66
7,406,784	B2	*	8/2008	Cevenini et al.	38/107
2004/0049955	A1	*	3/2004	Denisart et al.	38/103
2010/0242317	A1	*	9/2010	Trowsdale et al.	38/103

FOREIGN PATENT DOCUMENTS

EM	346036	7/2005
EM	1214936	7/2010
FR	930823	5/1993
FR	033659	9/2004

* cited by examiner

Primary Examiner — Caron D Veynar

Assistant Examiner — Martie K Holtje

(74) *Attorney, Agent, or Firm* — Loeb & Loeb LLP

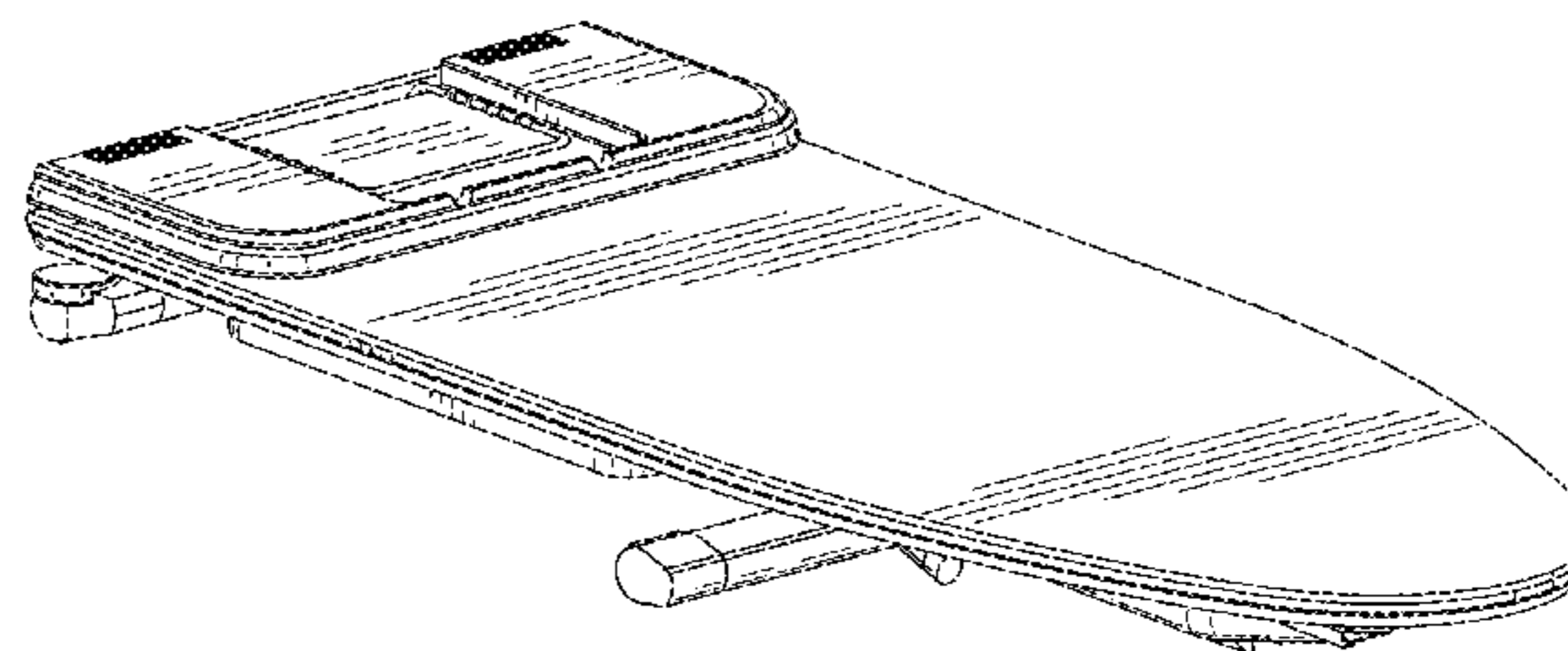
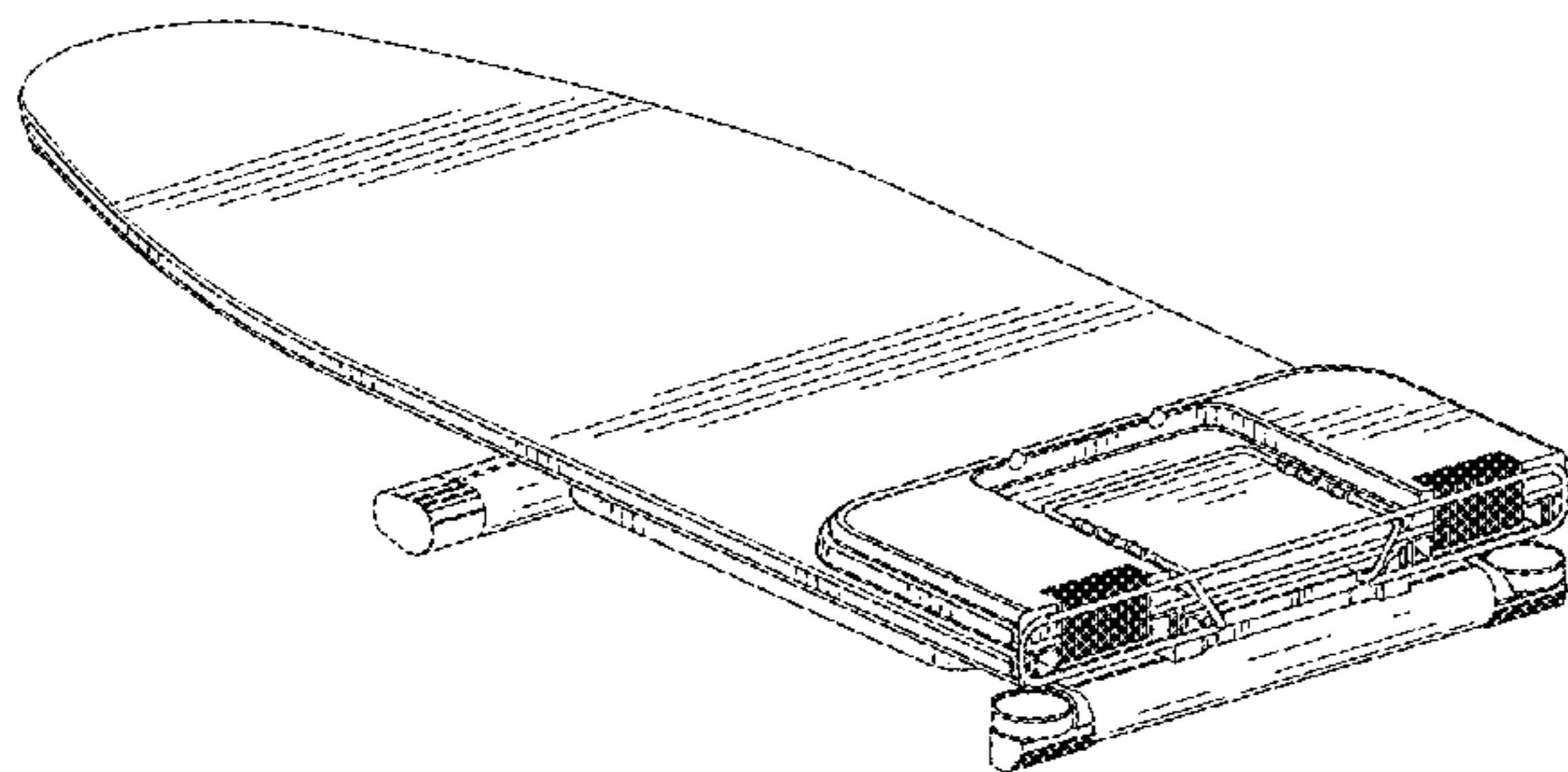
(57) **CLAIM**

The ornamental design for an ironing board, as shown and described.

DESCRIPTION

FIG. 1 is a rear perspective view of an ironing board.
 FIG. 2 is a front perspective view of the ironing board of FIG. 1.
 FIG. 3 is a side elevational view of the ironing board of FIG. 1.
 FIG. 4 is a top plan view of the ironing board of FIG. 1.
 FIG. 5 is a bottom plan view of the ironing board of FIG. 1.
 FIG. 6 is a front elevational view of the ironing board of FIG. 1; and,
 FIG. 7 is a rear elevational view of the ironing board of FIG. 1.
 The structural features depicted with broken lines in FIG. 5 are provided for the purpose of illustrating portions of the claimed ironing board that form no part of the claimed design.

1 Claim, 7 Drawing Sheets



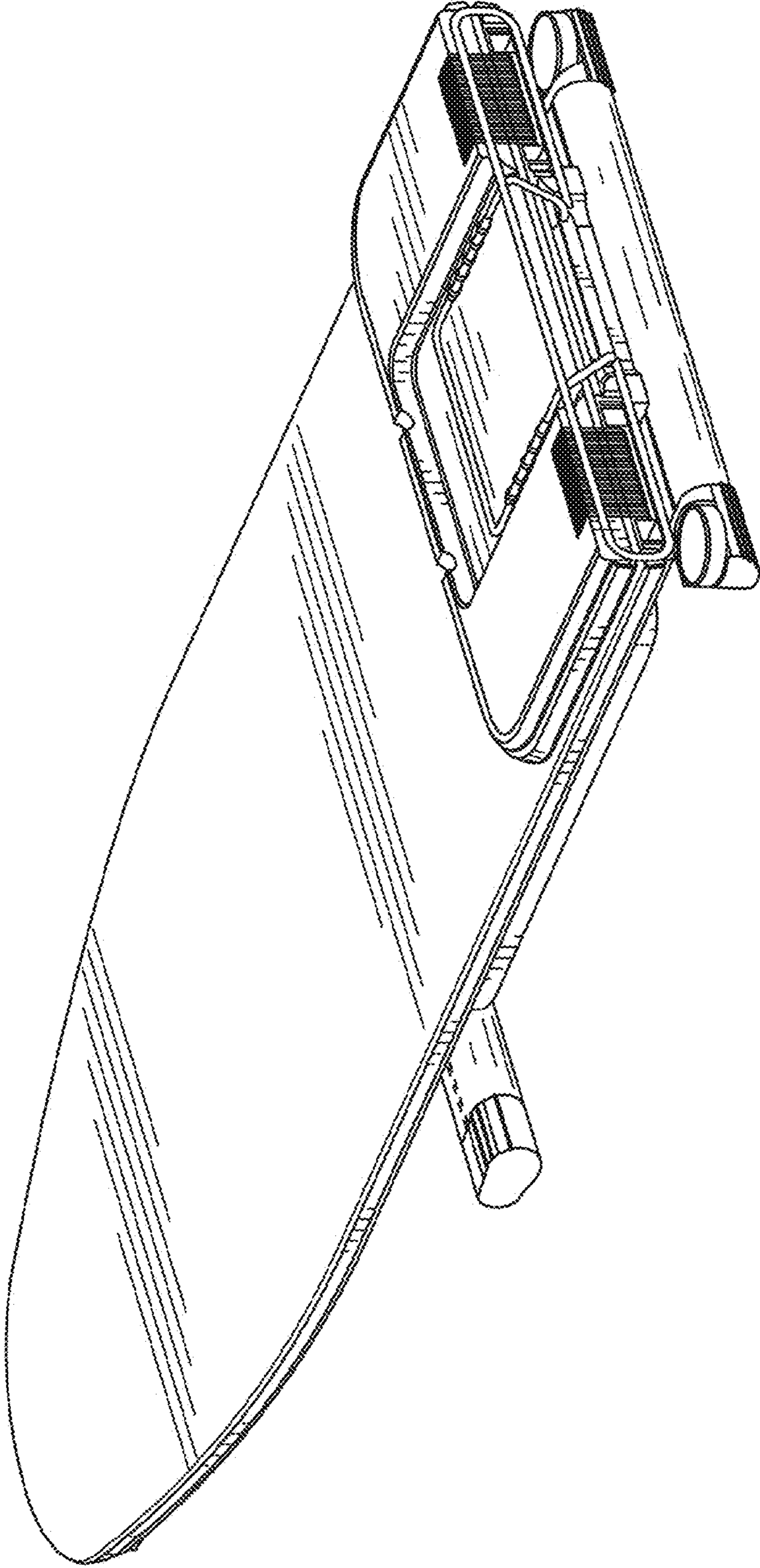


Figure 1

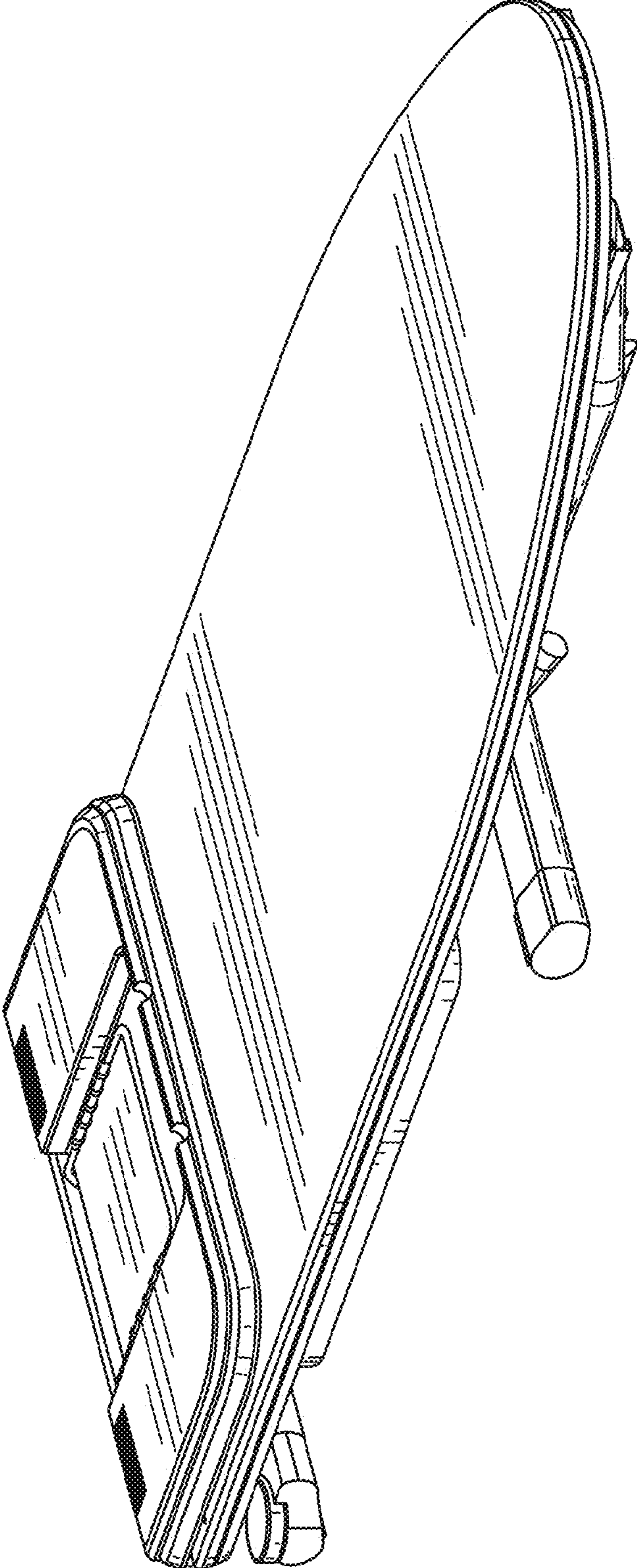


Figure 2

Figure 3

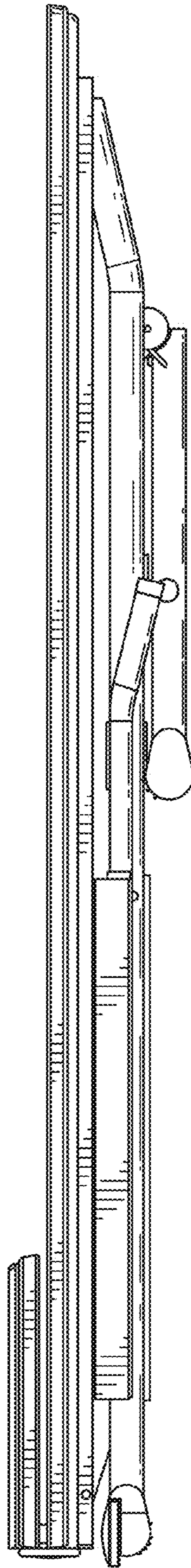


Figure 4

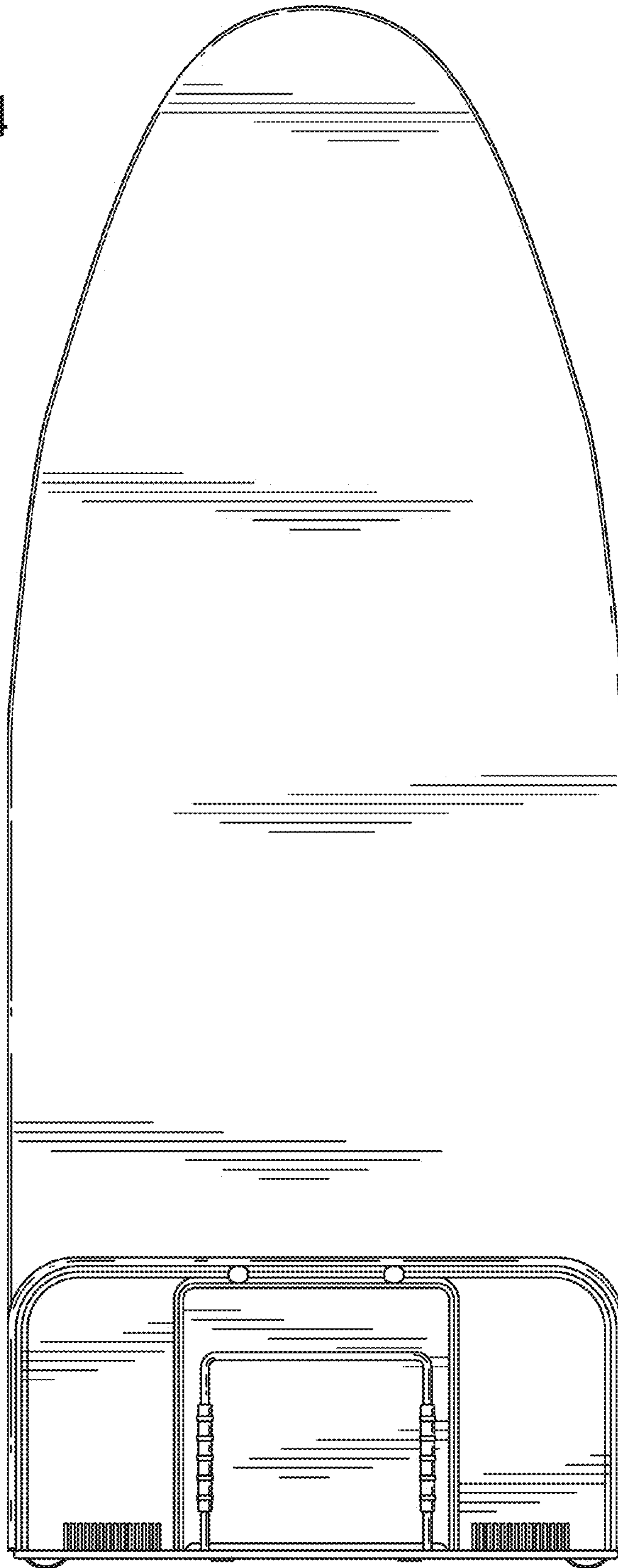


Figure 5

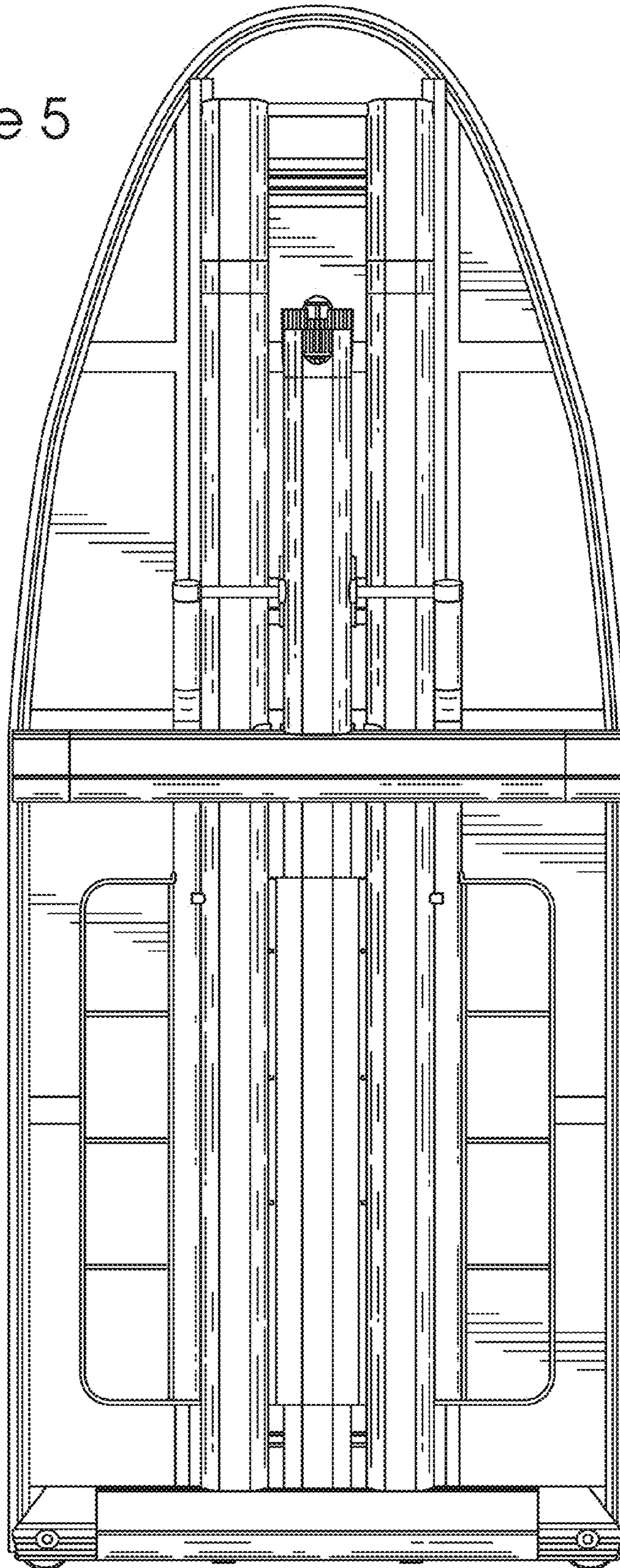


Figure 6

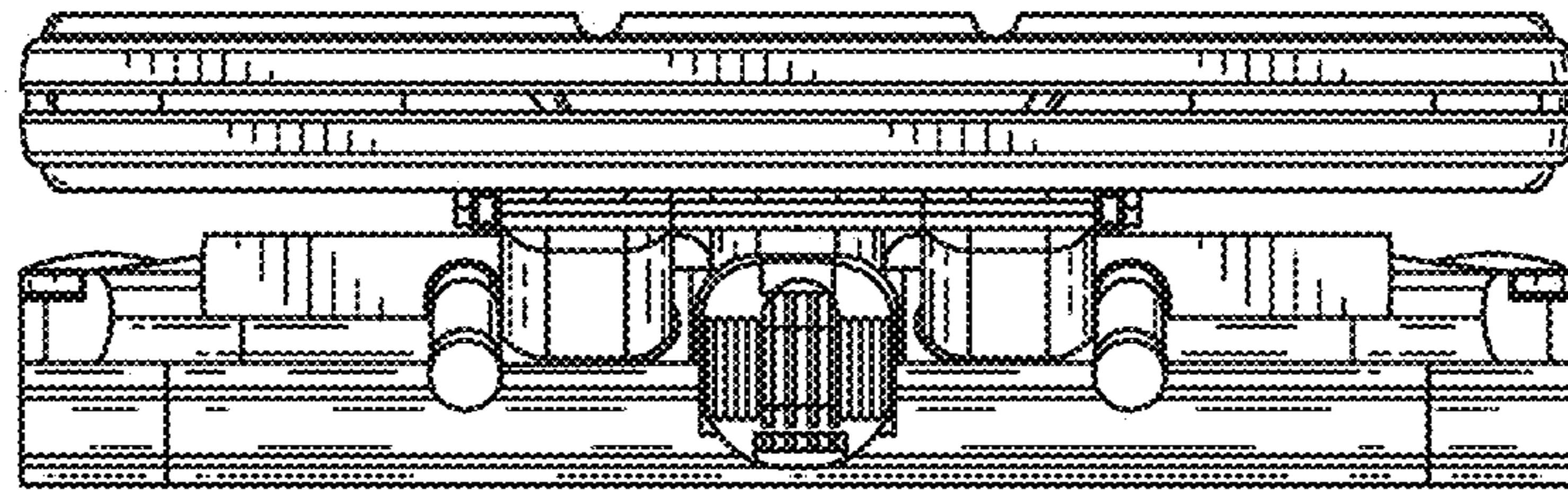


Figure 7

