



US00D704910S

(12) **United States Design Patent**  
**Hughes et al.**

(10) **Patent No.:** **US D704,910 S**

(45) **Date of Patent:** **\*\* May 13, 2014**

(54) **MOP HEAD**

(71) Applicant: **Euro-Pro Operating LLC**, Newton, MA (US)

(72) Inventors: **William Scott Hughes**, Waltham, MA (US); **James Russell Varney**, Maynard, MA (US); **Bryan Robert Hotaling**, Harvard, MA (US); **Scott A. Leclerc**, Ashby, MA (US); **James M. Ormond**, Belmont, MA (US)

(73) Assignee: **Euro-Pro Operating LLC**, Newton, MA (US)

(\*\*) Term: **14 Years**

(21) Appl. No.: **29/449,432**

(22) Filed: **Mar. 15, 2013**

(51) **LOC (10) Cl.** ..... **04-01**

(52) **U.S. Cl.**  
USPC ..... **D32/40**

(58) **Field of Classification Search**  
USPC ..... D32/40, 45, 50, 51; 15/228, 119.2, 15/210.1, 229.3, 229.4, 244.1-244.4, 118; 401/137-140

See application file for complete search history.

(56) **References Cited**

**U.S. PATENT DOCUMENTS**

2,805,435	A *	9/1957	Boscarino, Jr.	401/205
2,877,478	A *	3/1959	Klafter et al.	15/119.2
3,050,761	A *	8/1962	Morgan	15/119.2
4,468,830	A *	9/1984	Batchelor	15/119.2

4,882,804	A *	11/1989	Lucas	15/244.1
5,371,917	A *	12/1994	Hoagland	15/244.1
5,483,720	A *	1/1996	Decoopman et al.	15/119.2
5,678,278	A *	10/1997	McBride et al.	15/228
6,663,306	B2	12/2003	Policicchio et al.	
D617,066	S	6/2010	Koenig et al.	
7,882,589	B2 *	2/2011	Nobile et al.	15/244.1
D658,344	S *	4/2012	Babic et al.	D32/50
8,166,597	B2 *	5/2012	Levitt et al.	15/118
8,186,898	B2	5/2012	Bradbury et al.	

\* cited by examiner

*Primary Examiner* — Robin V Webster

(74) *Attorney, Agent, or Firm* — Wolf, Greenfield & Sacks, P.C.

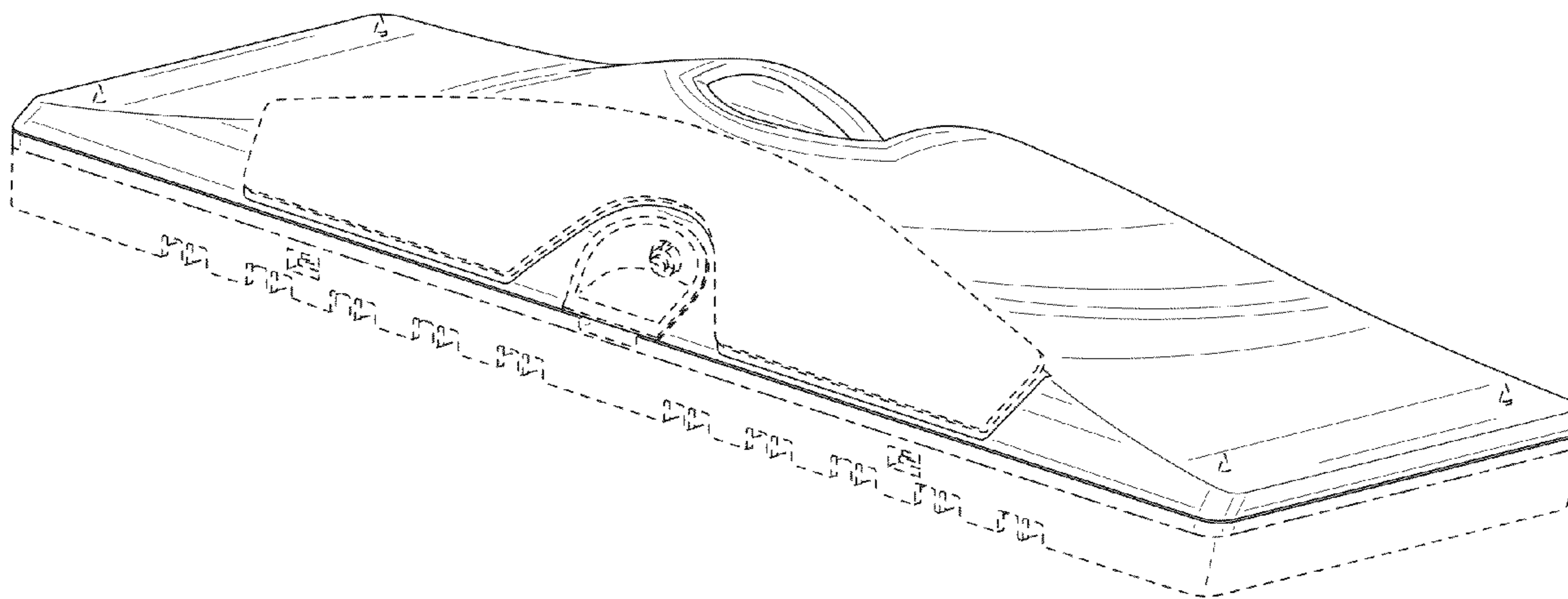
(57) **CLAIM**

The ornamental design for a mop head, as shown and described.

**DESCRIPTION**

FIG. 1 is a top, front, right side perspective view of a mop head showing our new design; FIG. 2 is a front elevational view thereof; FIG. 3 is a rear elevational view thereof; FIG. 4 is a left side elevational view thereof; FIG. 5 is a right side elevational view thereof; FIG. 6 is a top plan view thereof; and, FIG. 7 is a bottom plan view thereof. The broken lines of FIGS. 1-7 illustrate portions of the mop head that form no part of the claimed design. The dash-dot-dash broken lines shown in FIGS. 1-6 define boundaries of the claimed design.

**1 Claim, 6 Drawing Sheets**



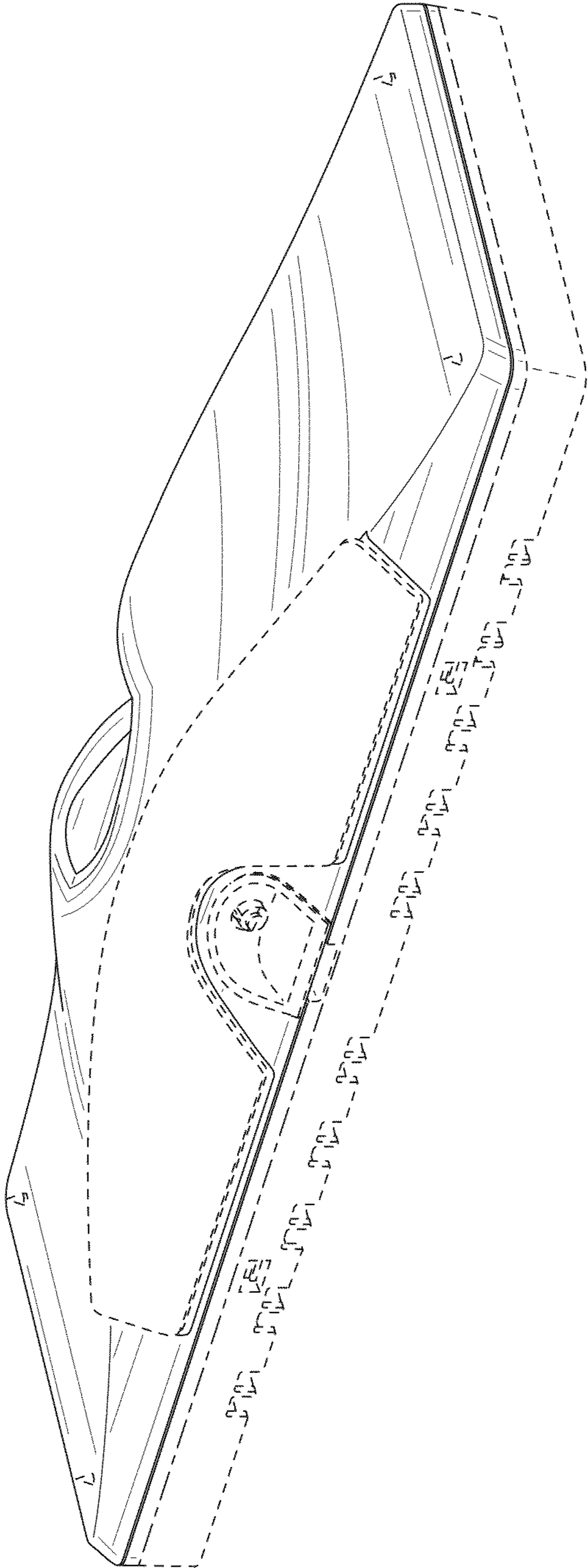


FIG. 1

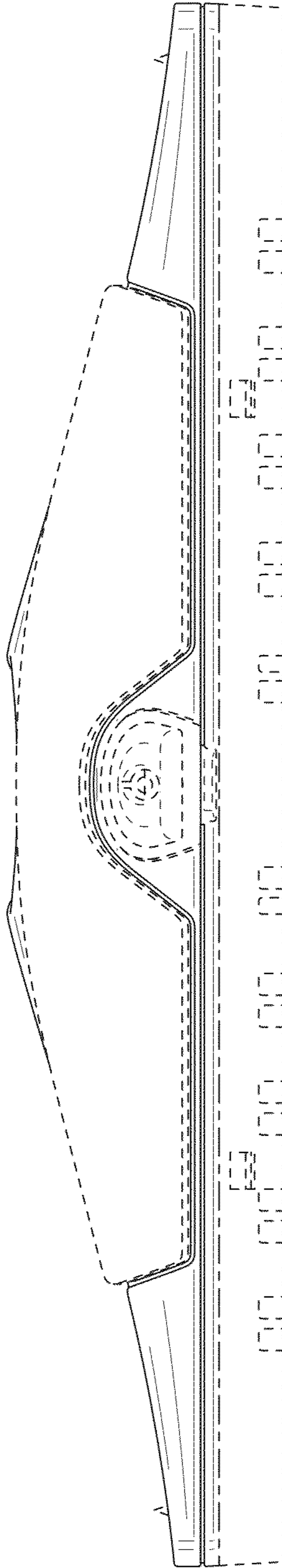


FIG. 2

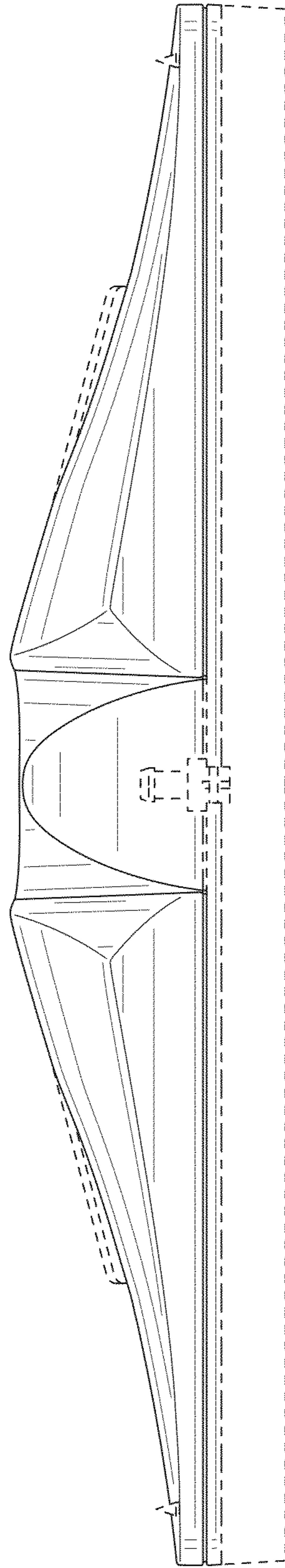


FIG. 3

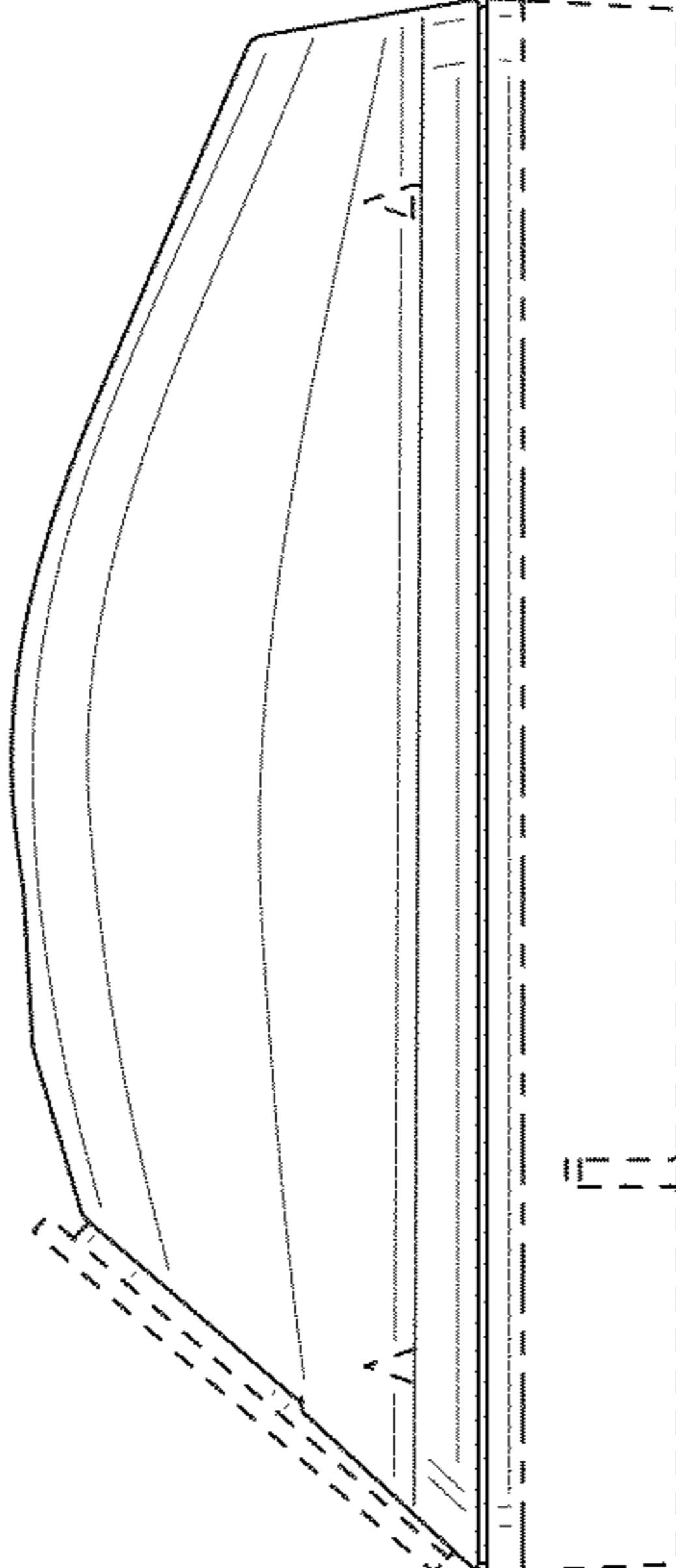


FIG. 5

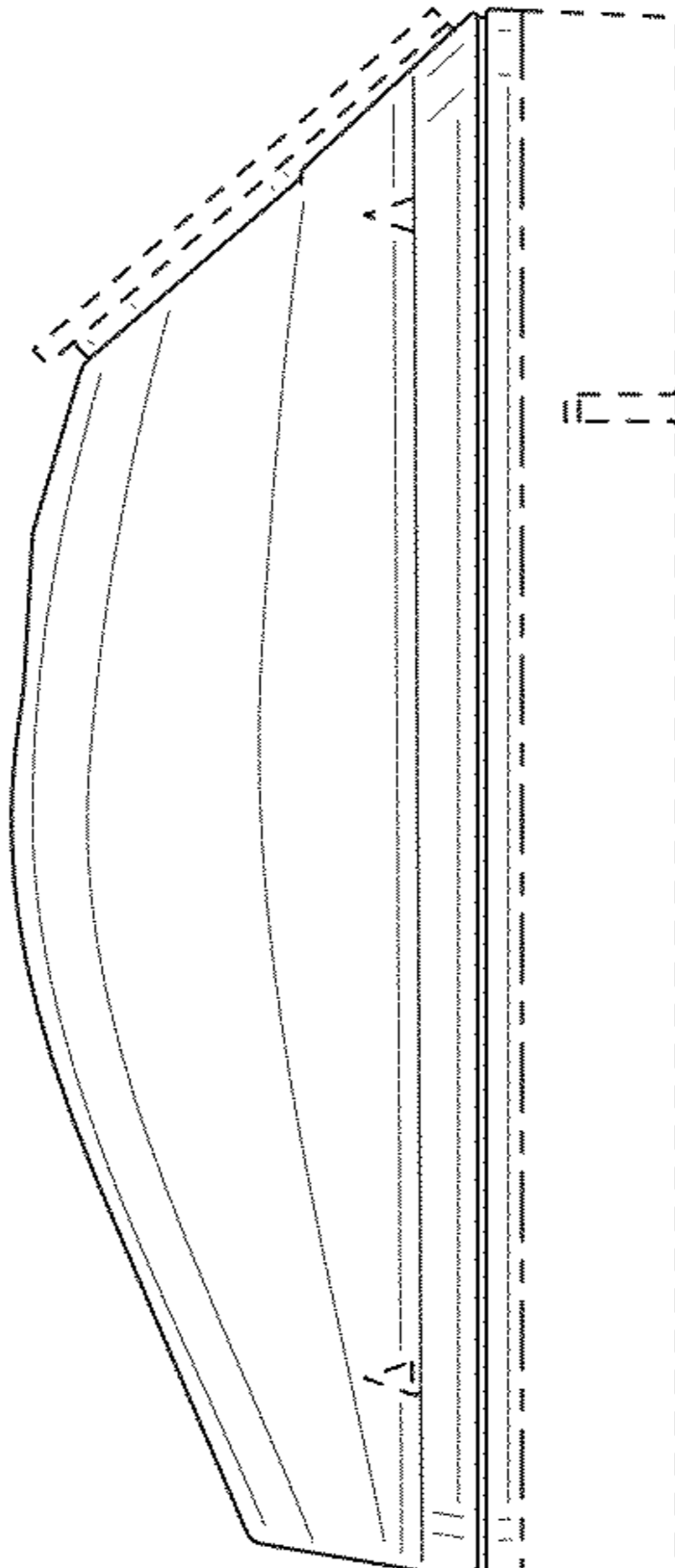


FIG. 4

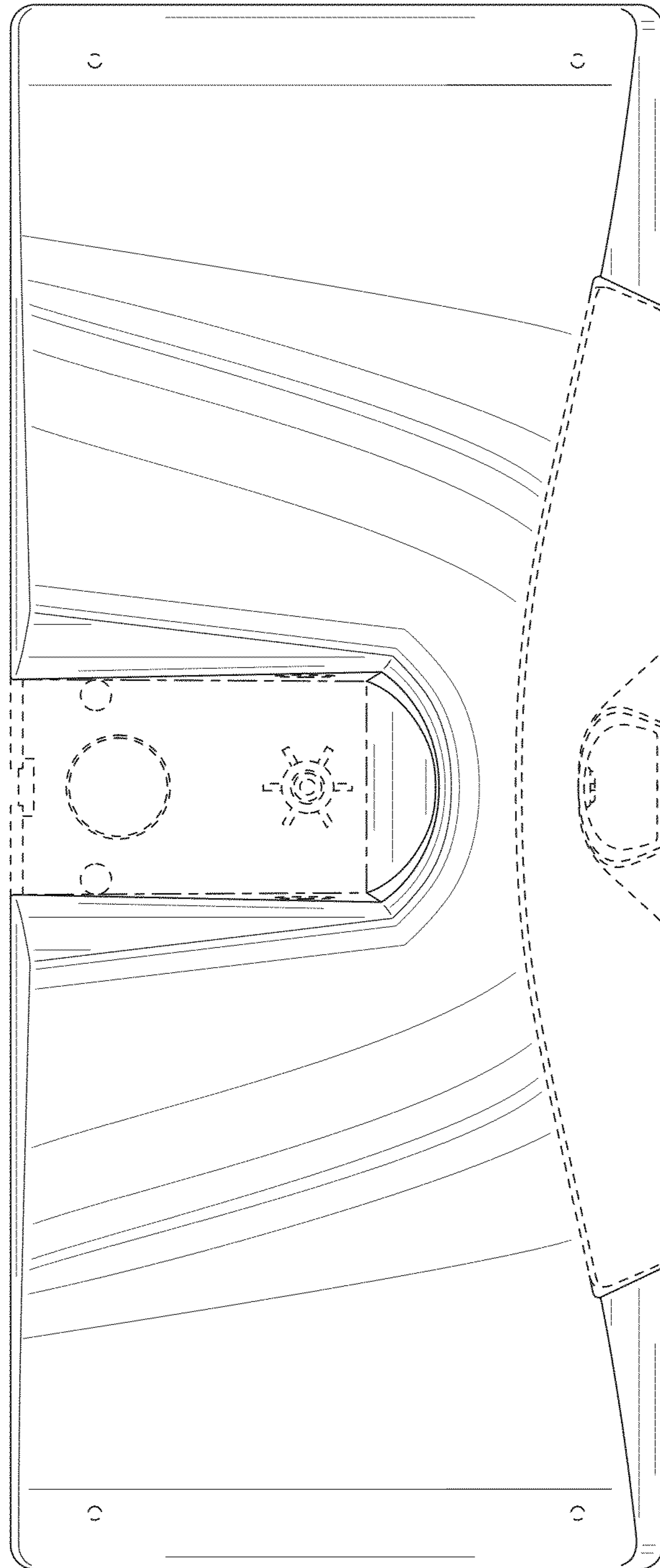


FIG. 6

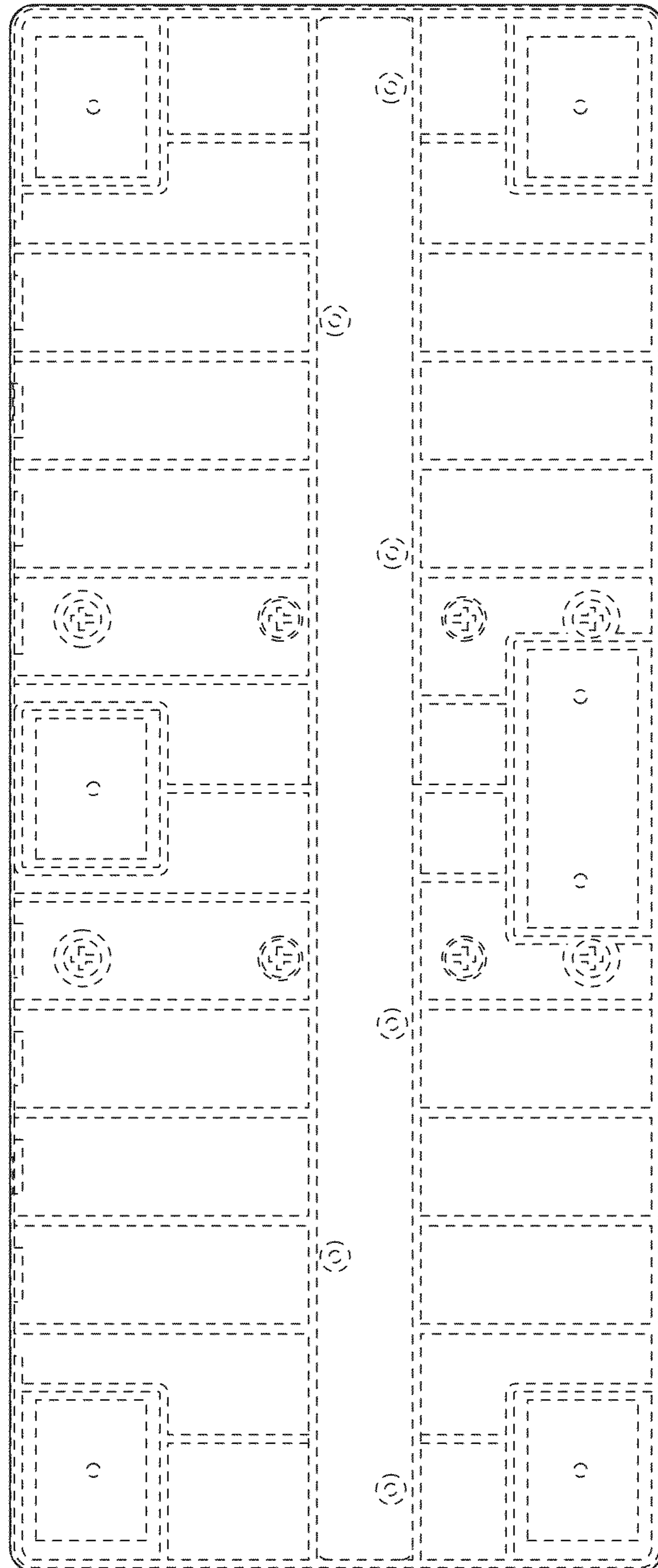


FIG. 7