



US00D704909S

(12) **United States Design Patent**
Jeon et al.

(10) **Patent No.:** **US D704,909 S**
(45) **Date of Patent:** **** May 13, 2014**

(54) **STORAGE DRAWER FOR WASHING MACHINES**

(75) Inventors: **Ho Il Jeon**, Gyeonggi-do (KR); **Jung Hwan Lee**, Seoul (KR); **On Kim**, Seoul (KR); **Ne Rry Son**, Seoul (KR); **Ye Ji Um**, Seoul (KR)

(73) Assignee: **LG Electronics Inc.**, Seoul (KR)

(**) Term: **14 Years**

(21) Appl. No.: **29/412,389**

(22) Filed: **Feb. 2, 2012**

(30) **Foreign Application Priority Data**

Aug. 3, 2011 (KR) 30-2011-0032489

(51) **LOC (10) Cl.** **15-05**

(52) **U.S. Cl.**
USPC **D32/25**

(58) **Field of Classification Search**
USPC D32/1, 5-6, 8, 10, 25; D6/445-446, D6/463, 510; 68/3 R, 5 R, 12.01, 68/12.07-12.08; 34/87-88, 523-524
See application file for complete search history.

(56) **References Cited**

U.S. PATENT DOCUMENTS

D474,566 S * 5/2003 Baldwin et al. D32/25
D549,408 S * 8/2007 Lee D32/25

D557,467 S * 12/2007 Kwon D32/6
D572,055 S * 7/2008 Huang D6/510
D600,957 S * 9/2009 Welch D6/510
D613,009 S * 3/2010 DeSalvo et al. D32/6
D618,863 S * 6/2010 Jeon et al. D32/6
D618,865 S * 6/2010 Cline et al. D32/6
D620,211 S * 7/2010 Shail D32/25
D627,529 S * 11/2010 Jeon et al. D32/6
D633,670 S * 3/2011 Grutzke et al. D32/25
7,913,419 B2 * 3/2011 Tomasi et al. 34/595
D648,907 S * 11/2011 Jeon et al. D32/6

* cited by examiner

Primary Examiner — T. Chase Nelson
Assistant Examiner — Kathleen M Sims

(74) *Attorney, Agent, or Firm* — Birch, Stewart, Kolasch & Birch, LLP

(57) **CLAIM**

We claim the ornamental design for a storage drawer for washing machines, as shown and described.

DESCRIPTION

FIG. 1 is a perspective view of a storage drawer for washing machines showing our new design;
FIG. 2 is a front elevation view thereof;
FIG. 3 is a rear elevation view thereof;
FIG. 4 is a left-side elevation view thereof;
FIG. 5 is a right-side elevation view thereof;
FIG. 6 is a top plan view thereof; and,
FIG. 7 is a bottom plan view thereof.

1 Claim, 4 Drawing Sheets

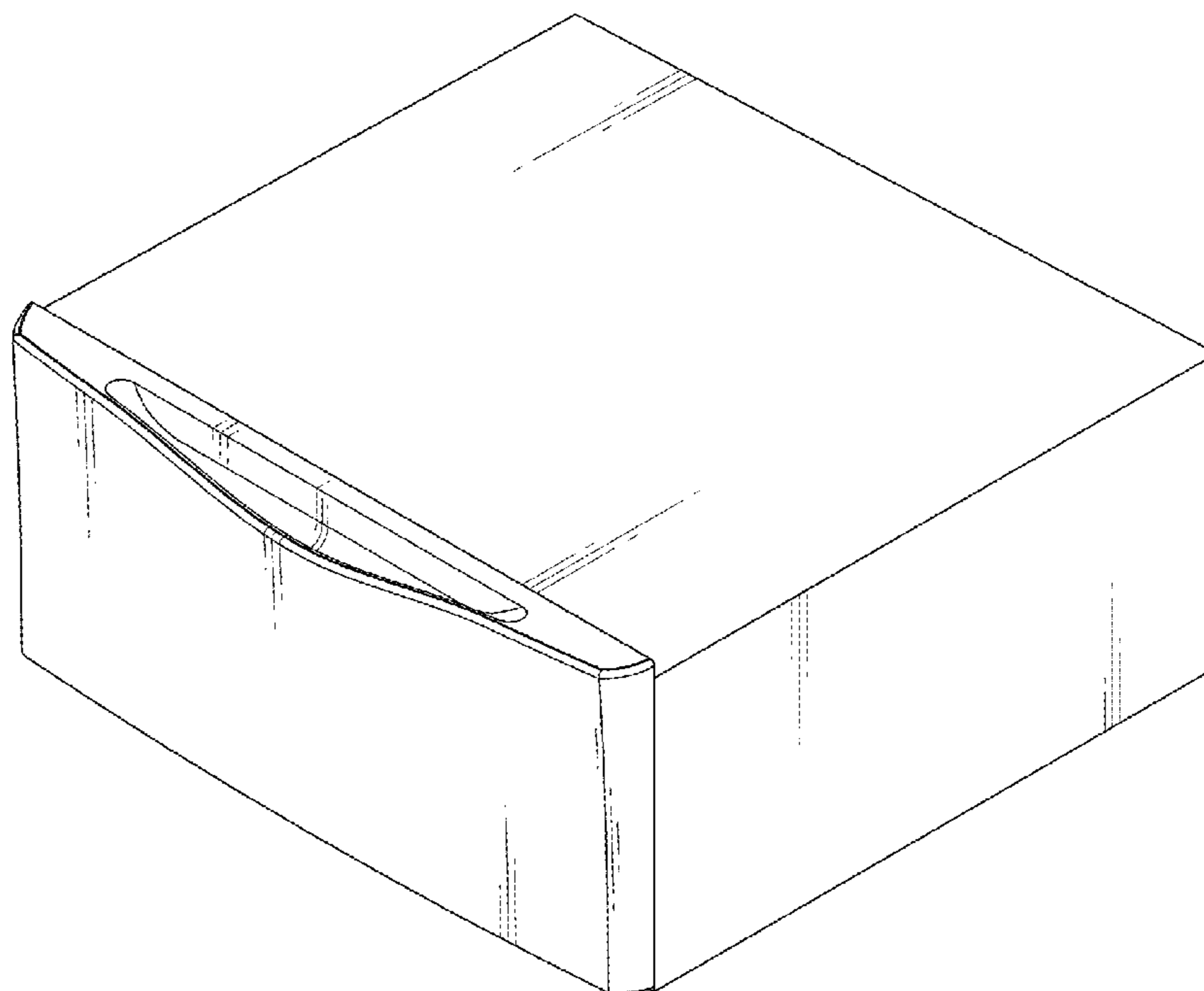


FIG. 1

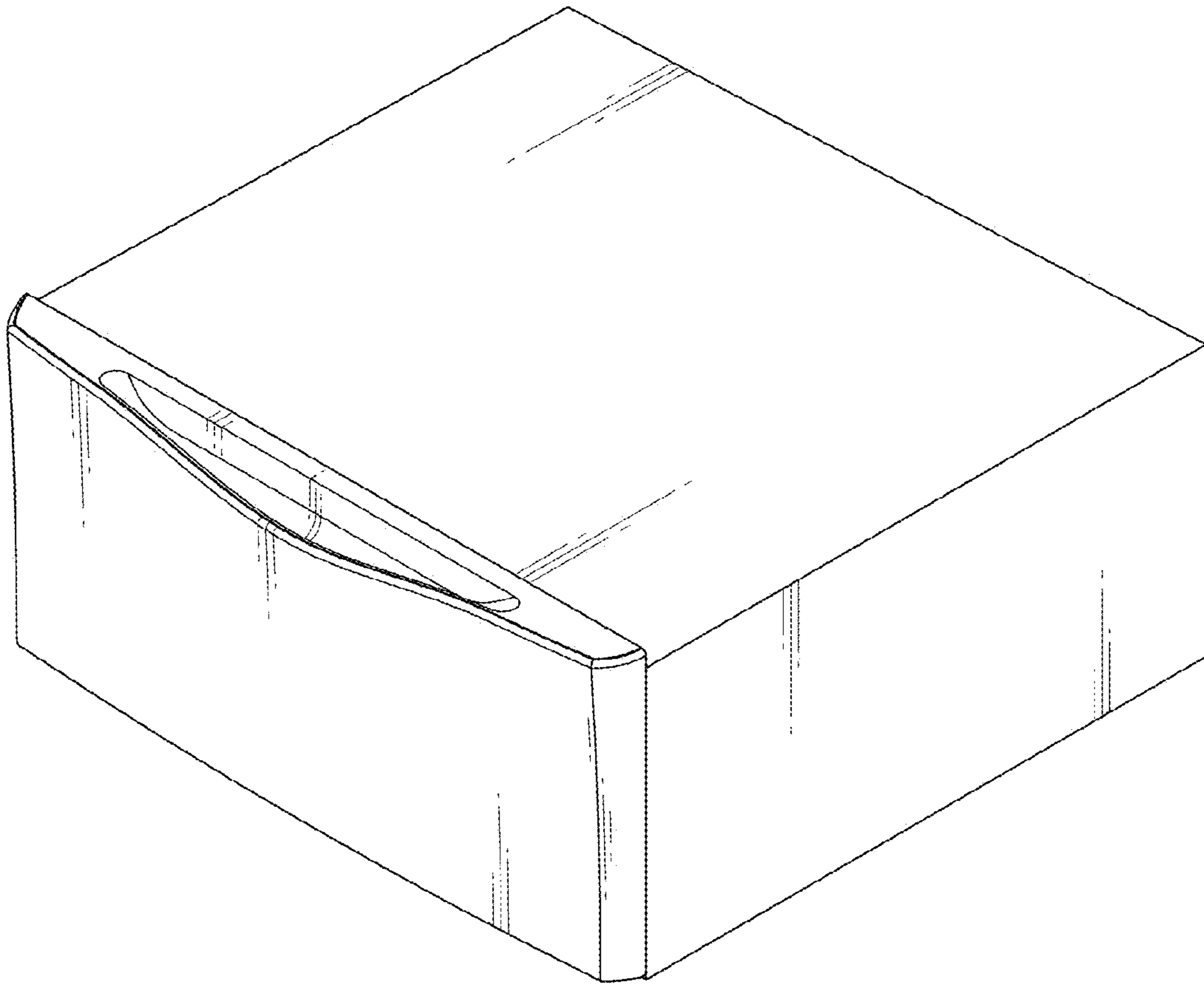


FIG. 2

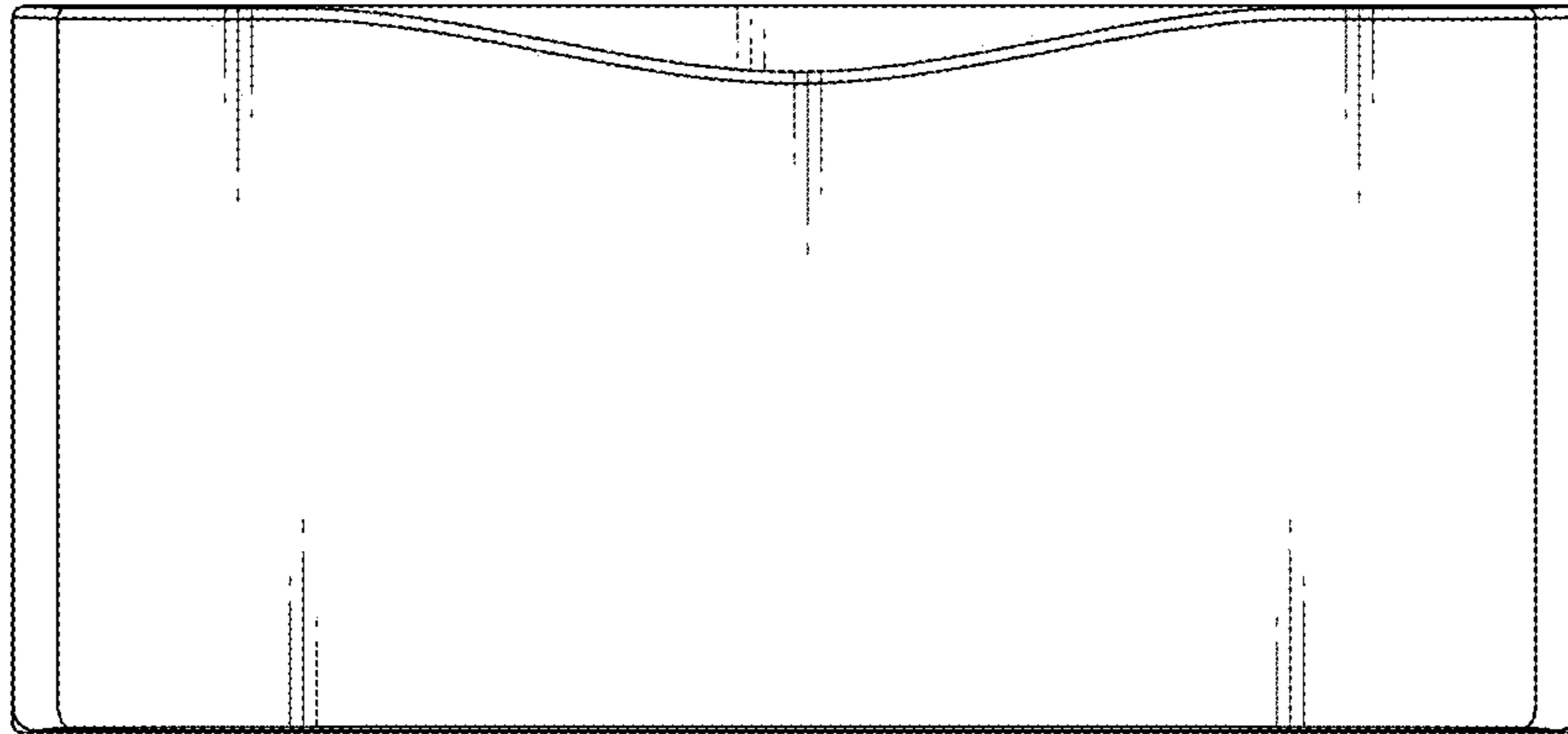


FIG. 3

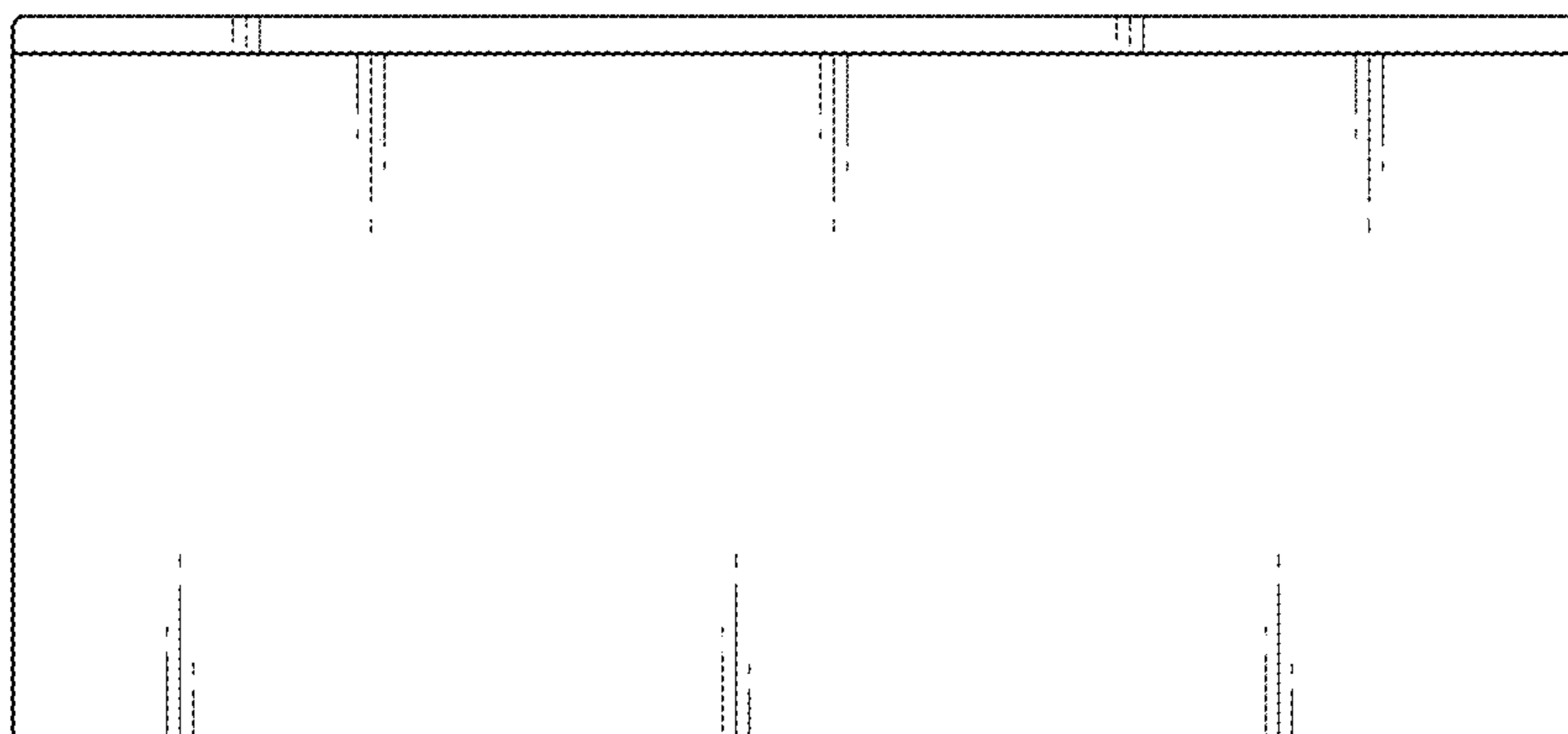


FIG. 4

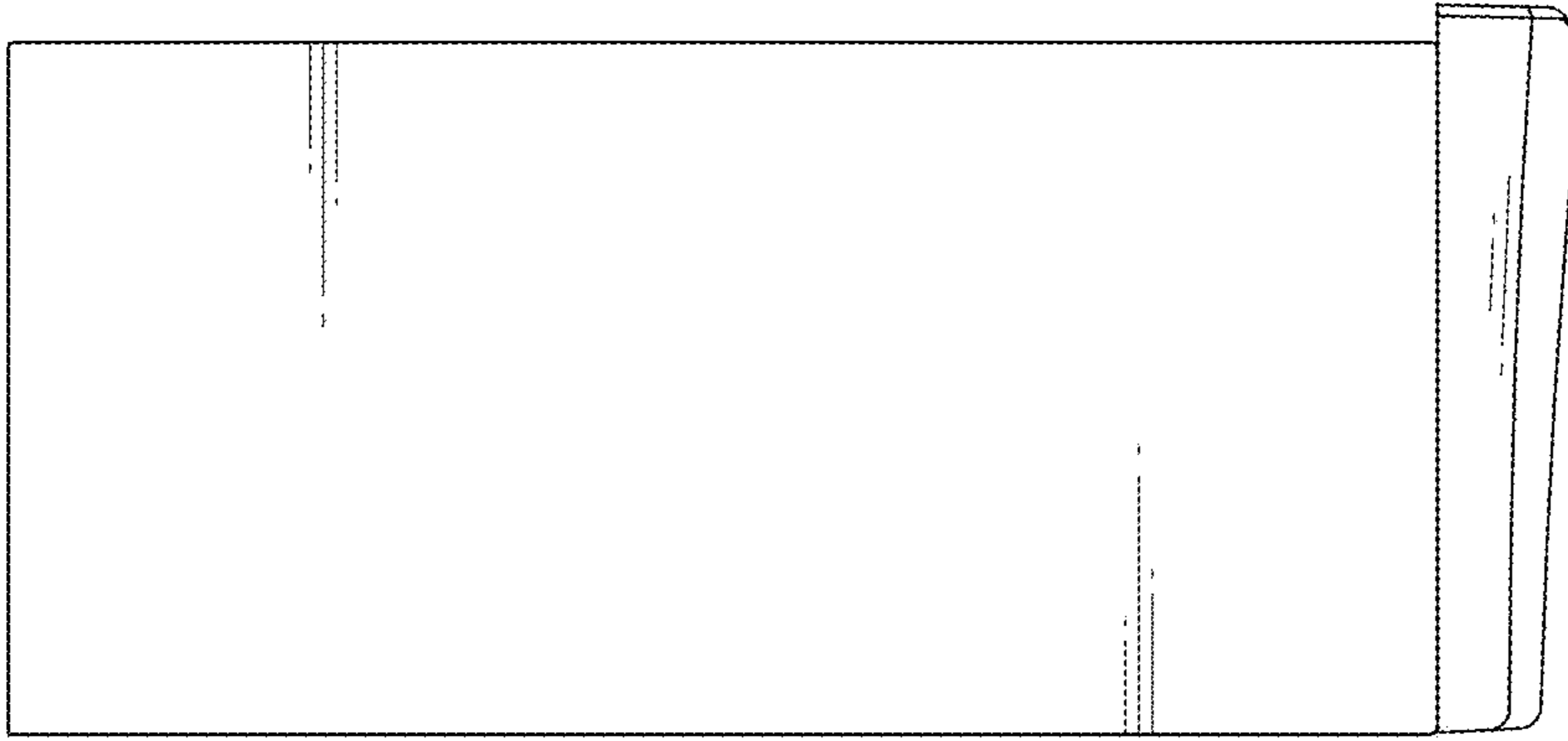


FIG. 5

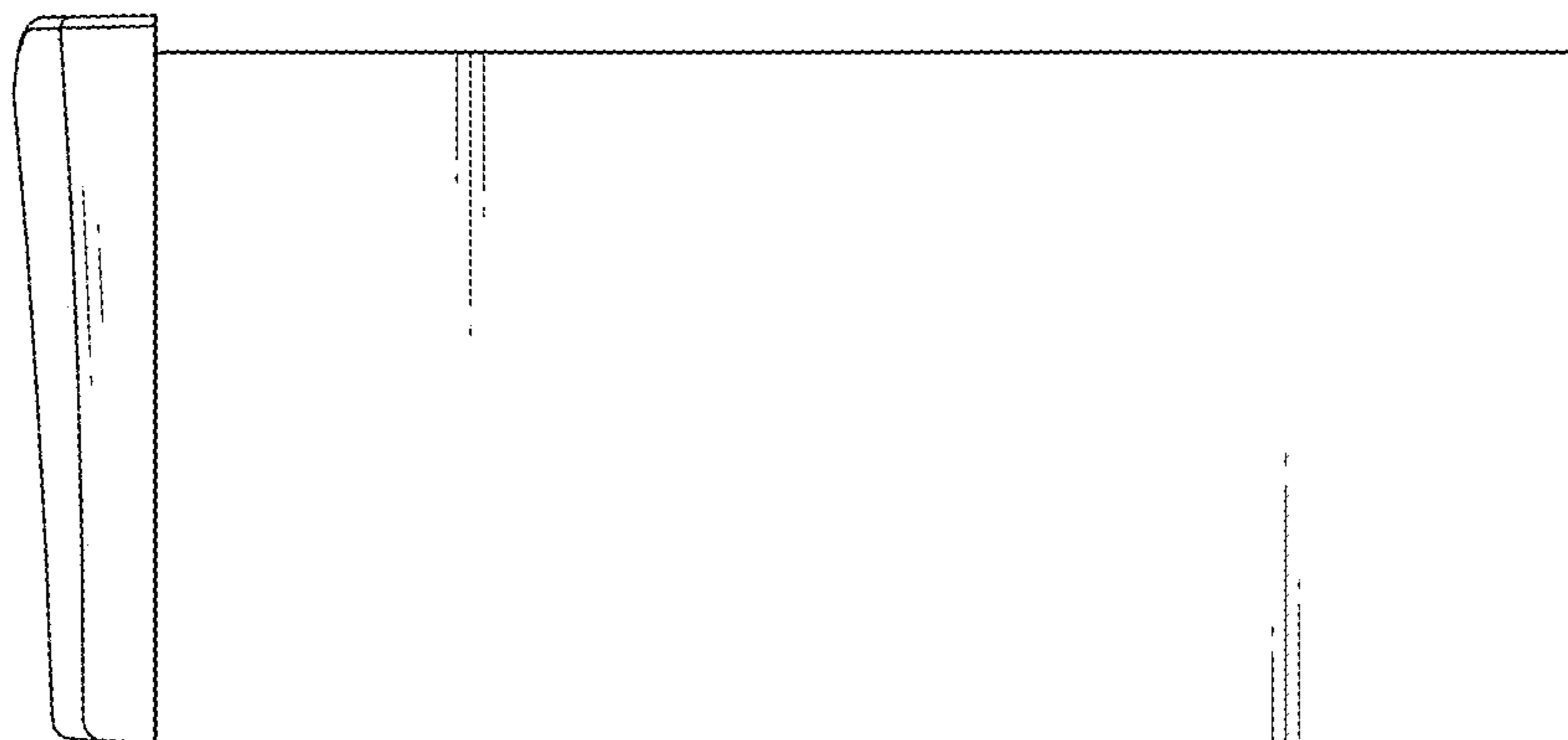


FIG. 6

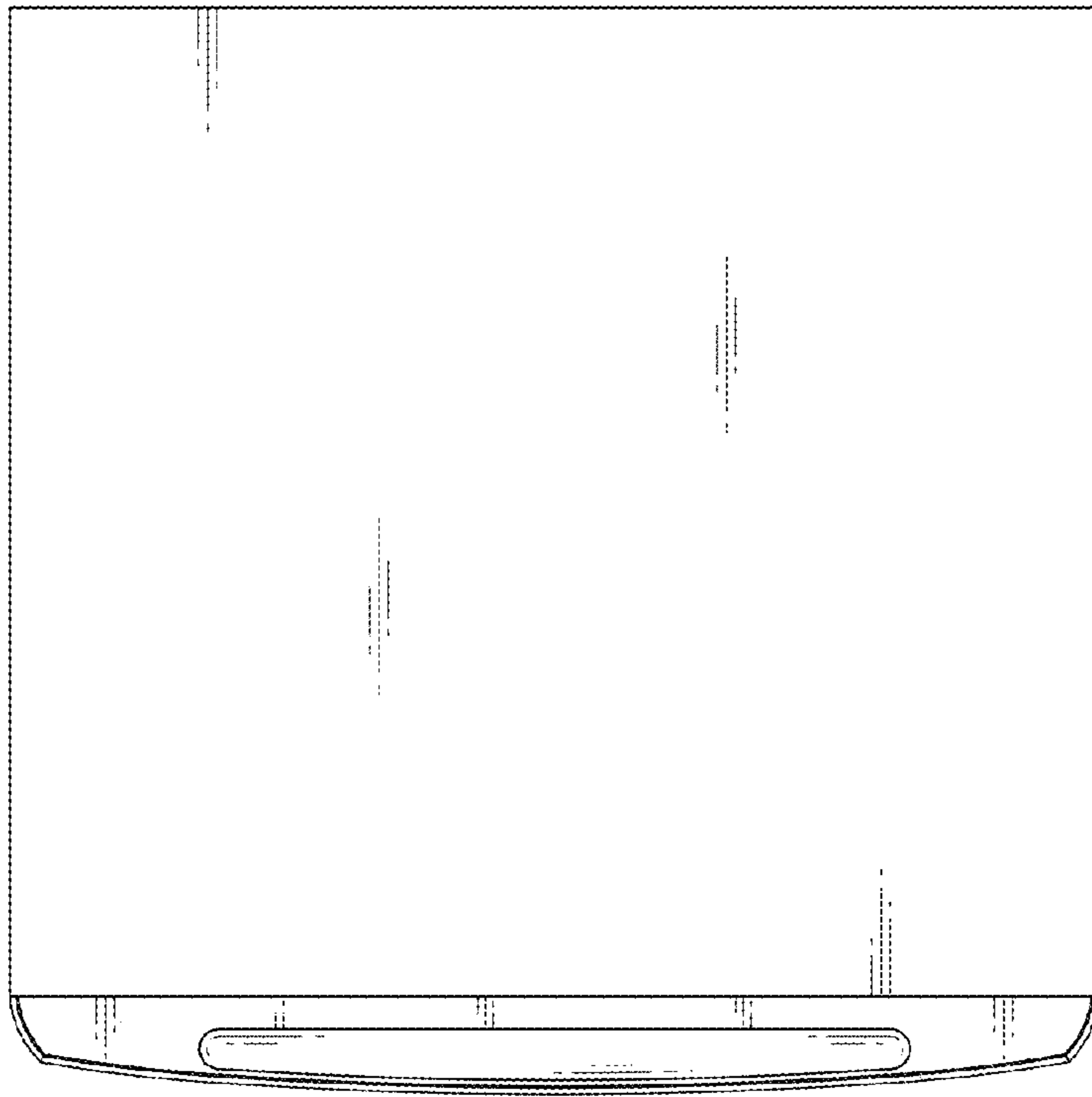


FIG. 7

