

US00D704906S

(12) **United States Design Patent**
Diskin et al.

(10) **Patent No.:** **US D704,906 S**

(45) **Date of Patent:** **** May 13, 2014**

(54) **SIDE TABLE SCRATCH PERCH**

(71) Applicant: **Worldwise, Inc.**, San Rafael, CA (US)

(72) Inventors: **Aimee Diskin**, Napa, CA (US); **Regina Chern**, Danville, CA (US); **Sara Paculdo**, Novato, CA (US)

(73) Assignee: **Worldwise, Inc.**, San Rafael, CA (US)

(**) Term: **14 Years**

(21) Appl. No.: **29/477,424**

(22) Filed: **Dec. 20, 2013**

(51) **LOC (10) Cl.** **30-99**

(52) **U.S. Cl.**
USPC **D30/160**; D6/686; D6/690; D30/118

(58) **Field of Classification Search**
USPC D30/118, 160; D6/657, 686, 690,
D6/691.8, 691.9; 119/28.5, 484, 496, 500,
119/702, 706; 312/237

See application file for complete search history.

(56) **References Cited**

U.S. PATENT DOCUMENTS

4,347,807 A * 9/1982 Reich 119/706
D301,814 S * 6/1989 Bush et al. D6/484
D406,678 S * 3/1999 Rittenhouse D30/118

D444,960 S * 7/2001 Sato D6/436
6,431,119 B1 * 8/2002 Beymer 119/706
D524,994 S * 7/2006 Hamm D30/108
D554,303 S * 10/2007 Linehan D30/160
D569,053 S * 5/2008 Lee D30/161
D611,204 S * 3/2010 Slater D30/160
D667,177 S * 9/2012 Roberts D30/160
D677,022 S * 2/2013 Cirincione et al. D30/160
D694,558 S * 12/2013 Denby et al. D6/675.1

* cited by examiner

Primary Examiner — Cathy A MacCormac

(74) *Attorney, Agent, or Firm* — Bay Area Technology Law Group, PC

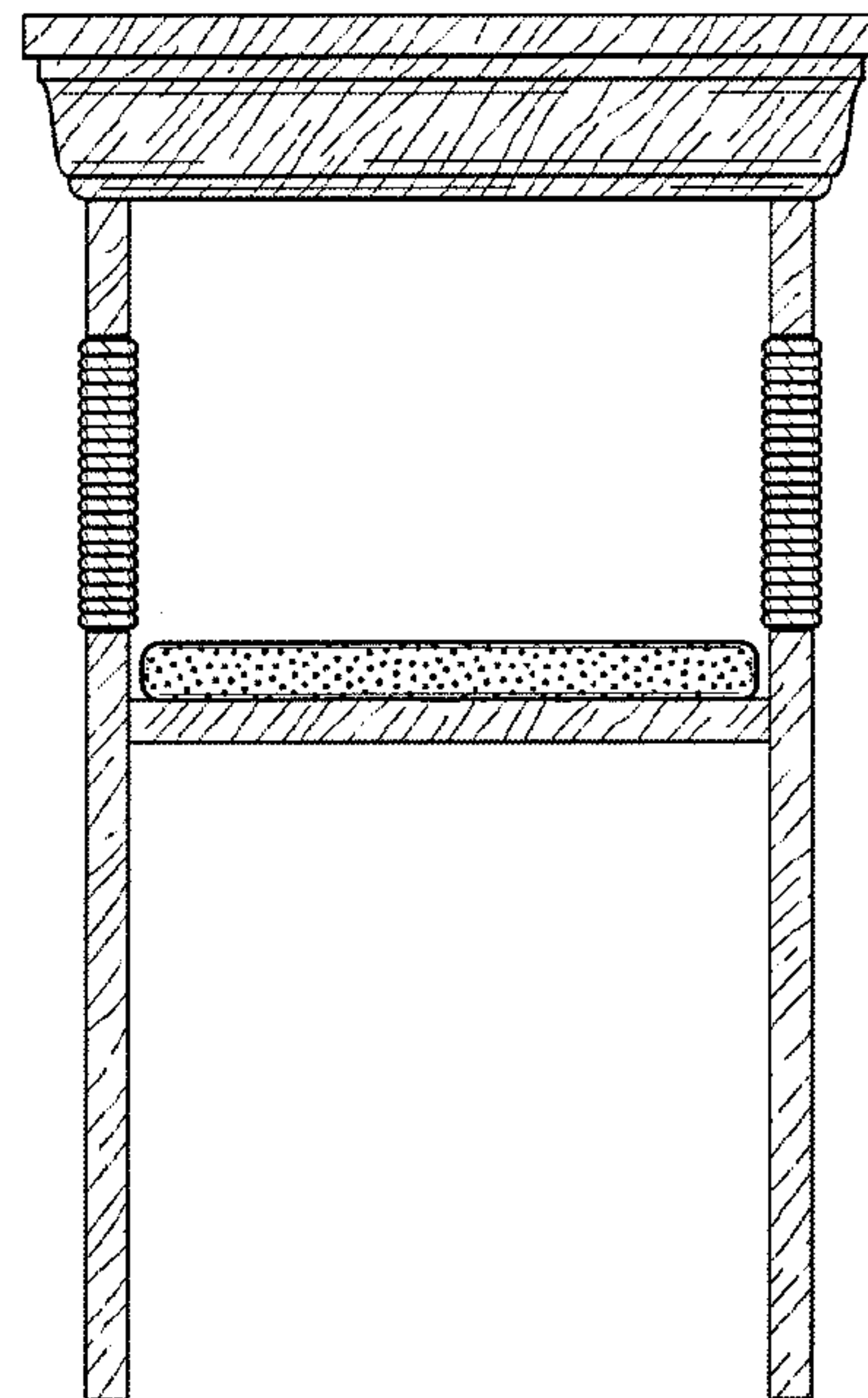
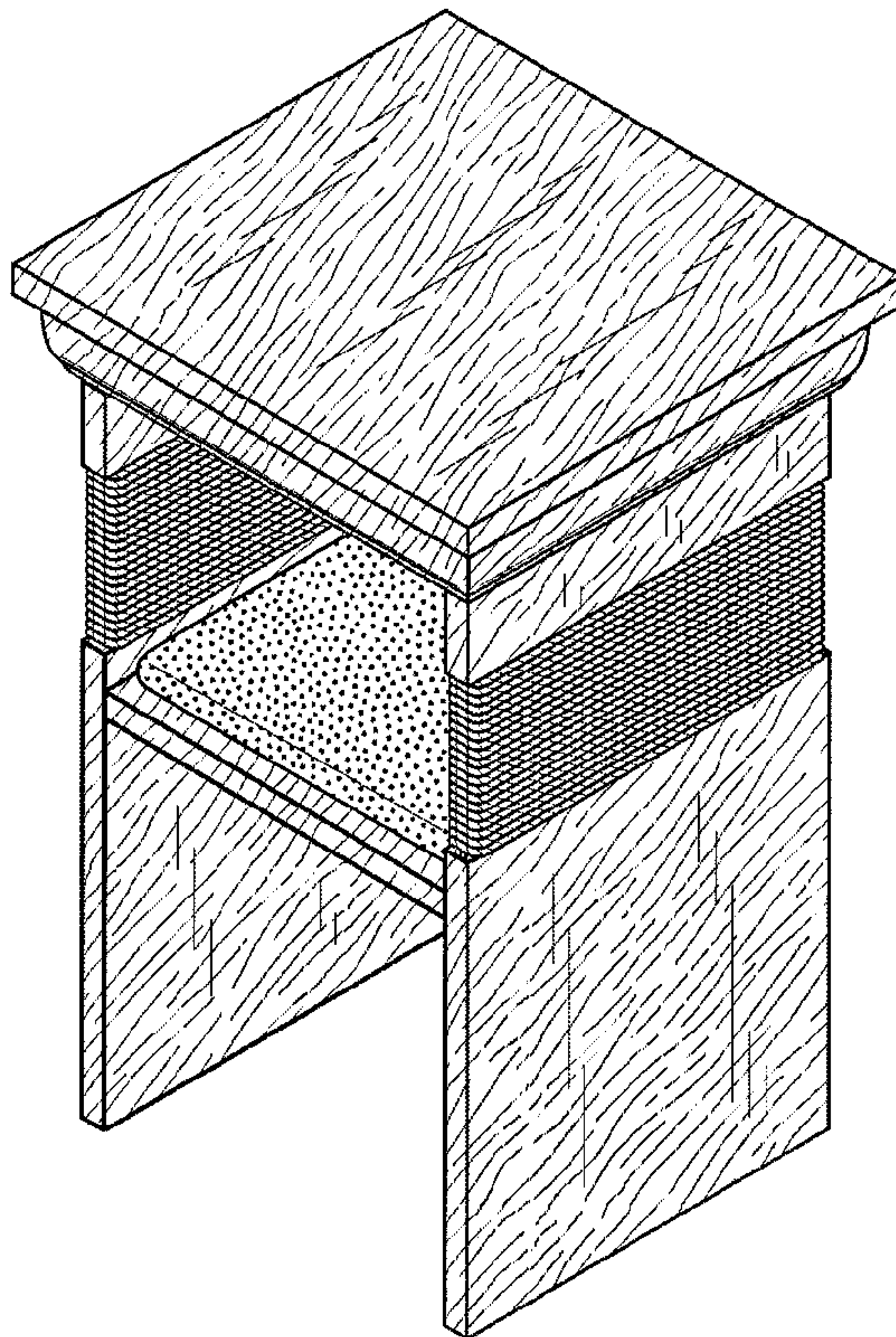
(57) **CLAIM**

The ornamental design for a side table scratch perch, as shown and described.

DESCRIPTION

FIG. 1 is a perspective view of a side table scratch perch showing their new design;
FIG. 2 is a top view of FIG. 1;
FIG. 3 is a bottom view of FIG. 1;
FIG. 4 is a left side view of FIG. 1;
FIG. 5 is a right side view of FIG. 1;
FIG. 6 is a front view of FIG. 1; and,
FIG. 7 is a back view of FIG. 1.

1 Claim, 2 Drawing Sheets



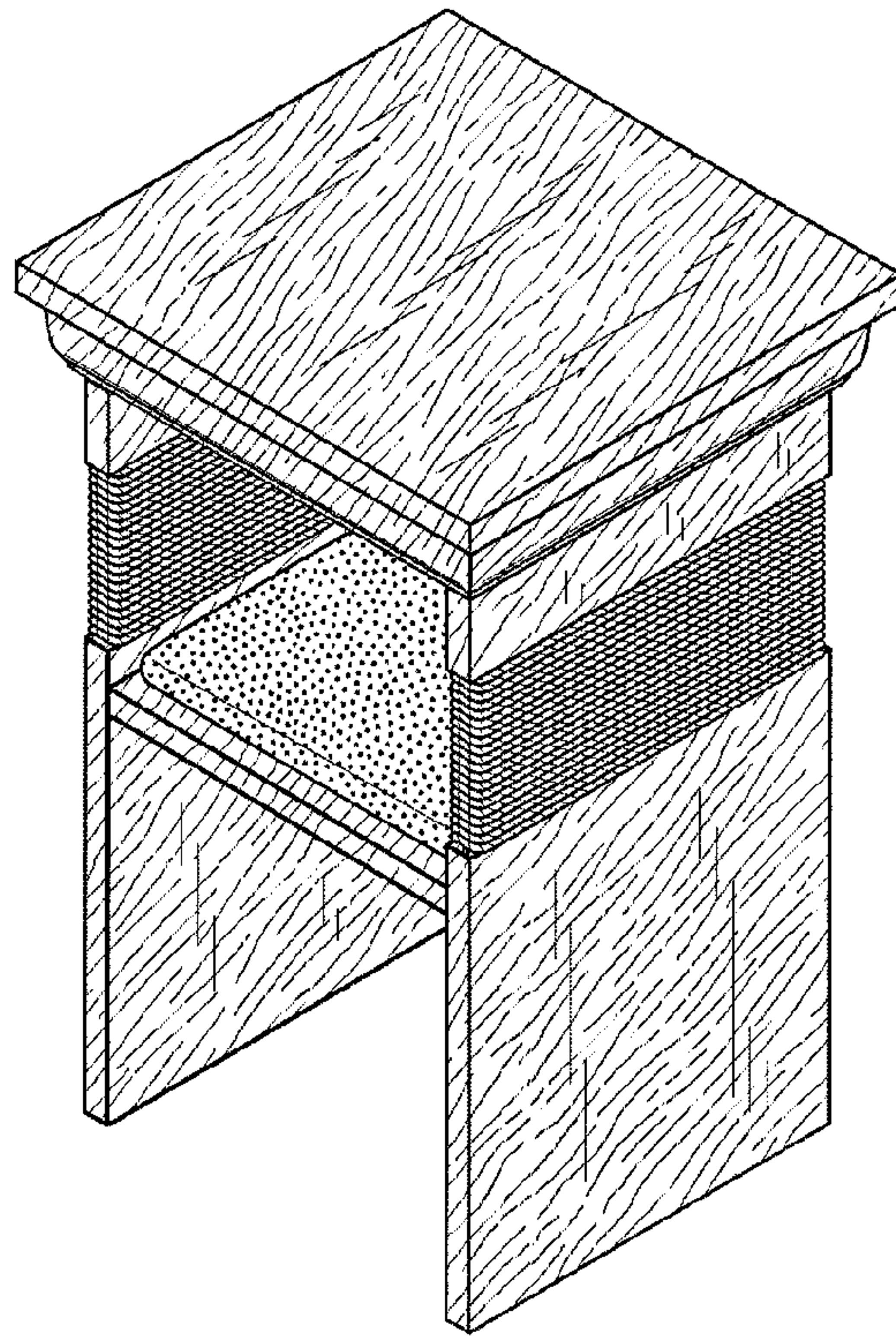


FIG. 1

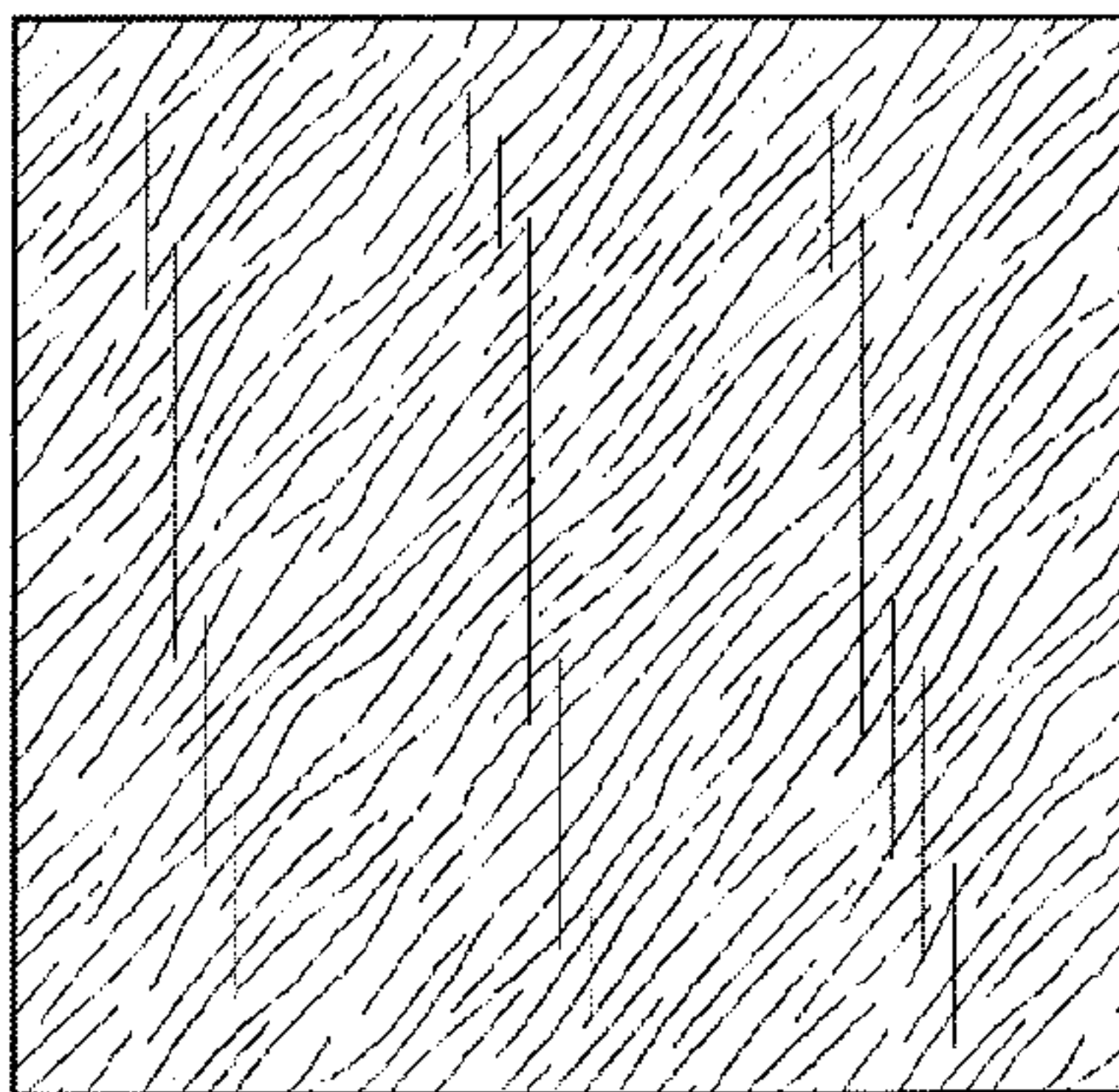


FIG. 2

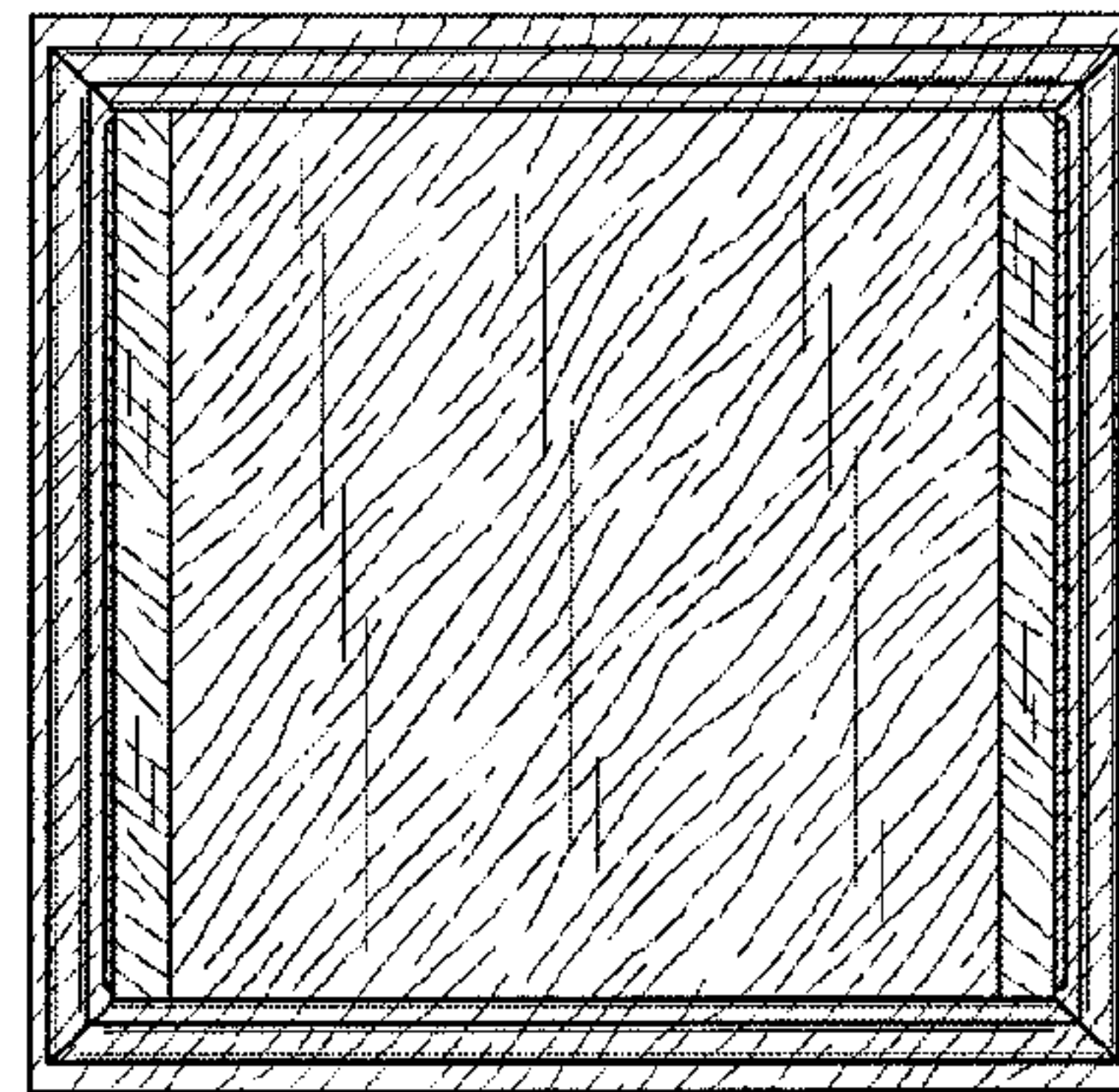


FIG. 3

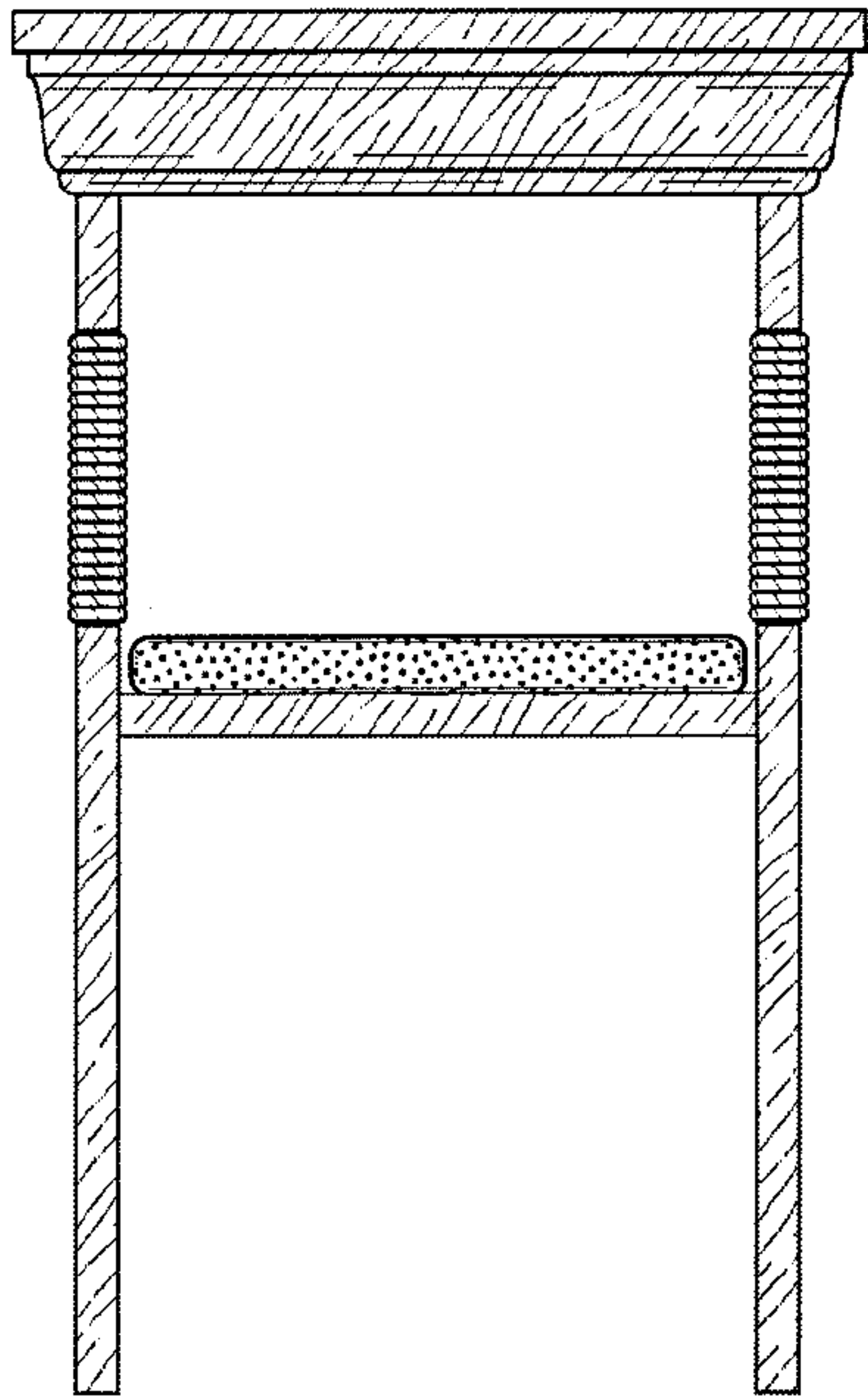


FIG. 4

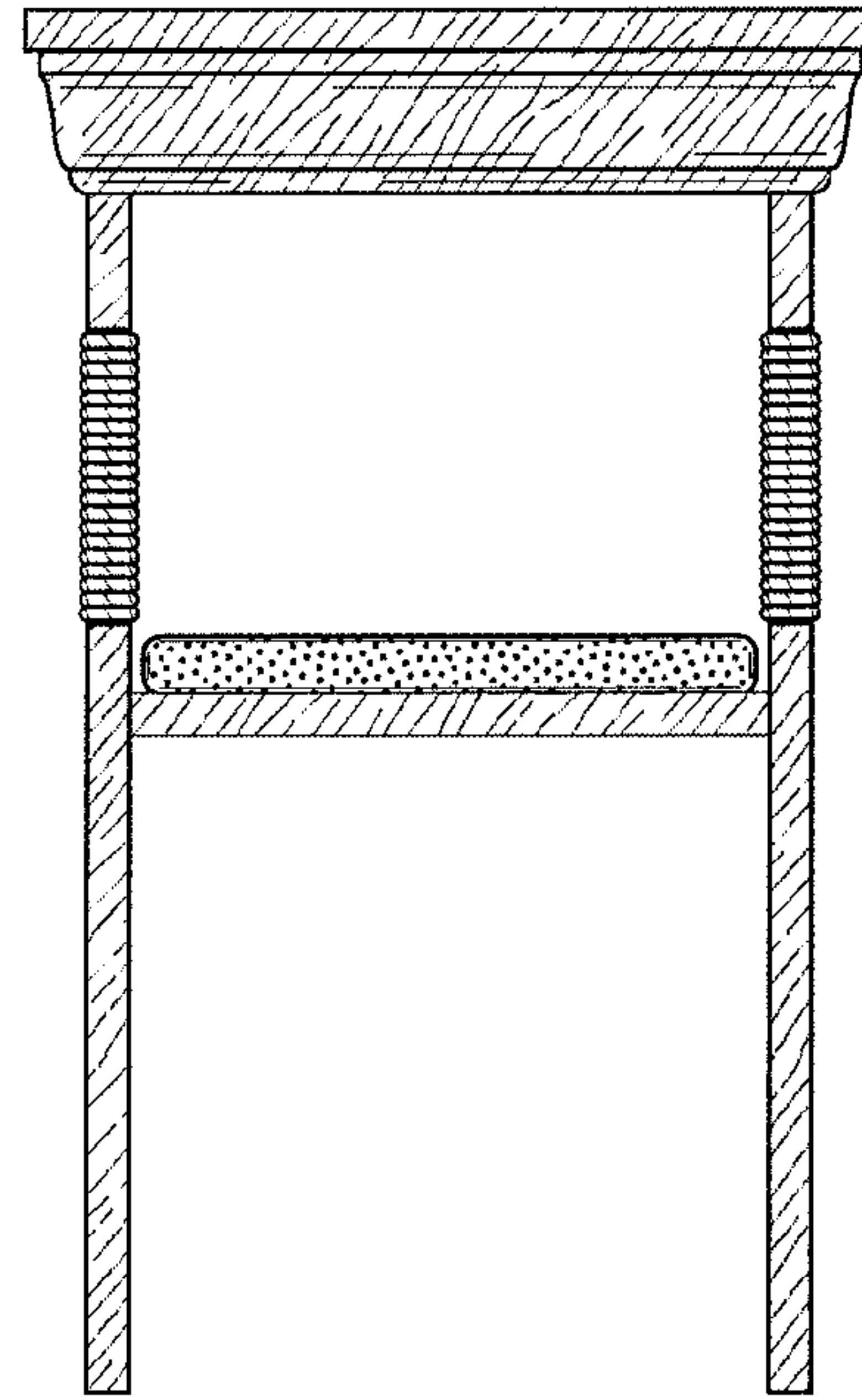


FIG. 5

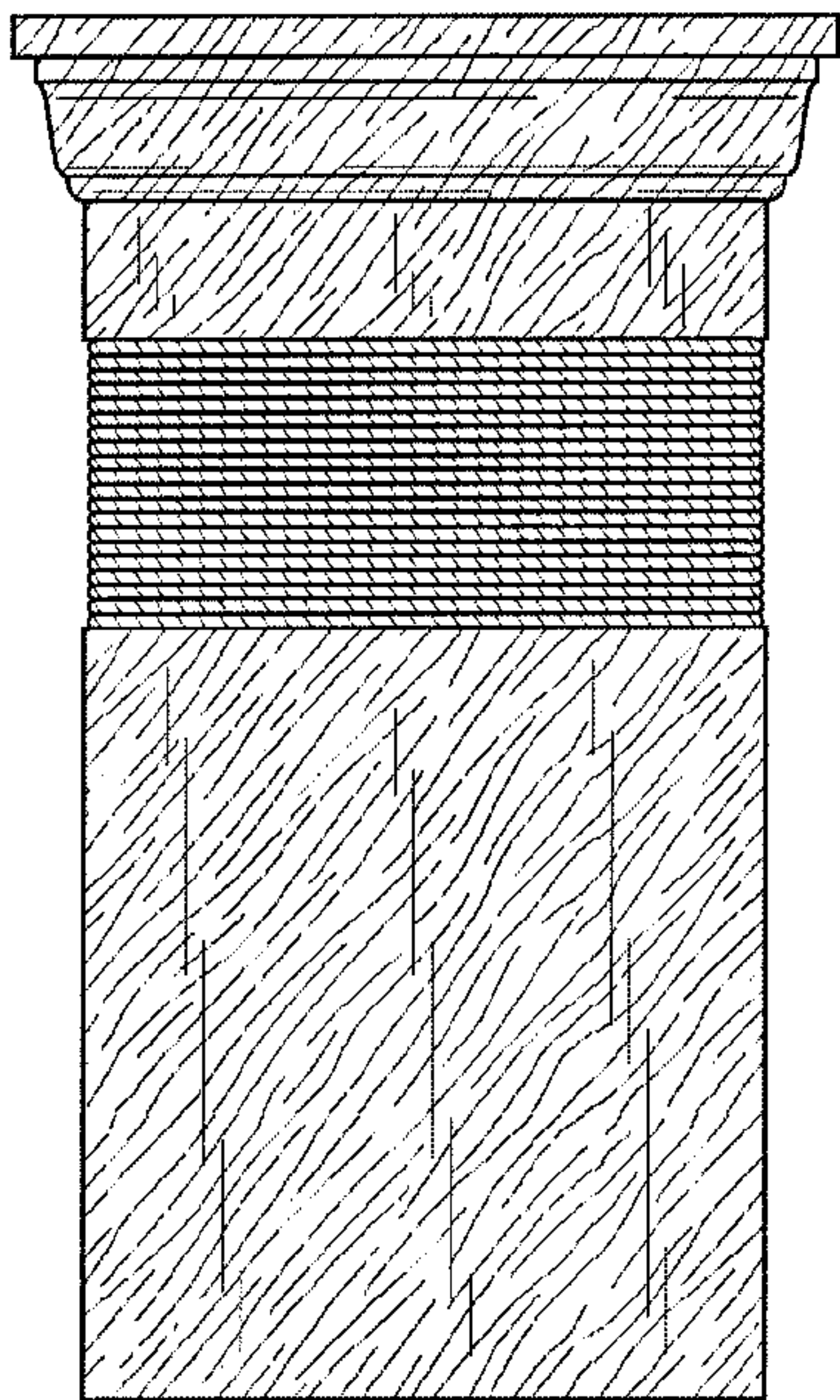


FIG. 6

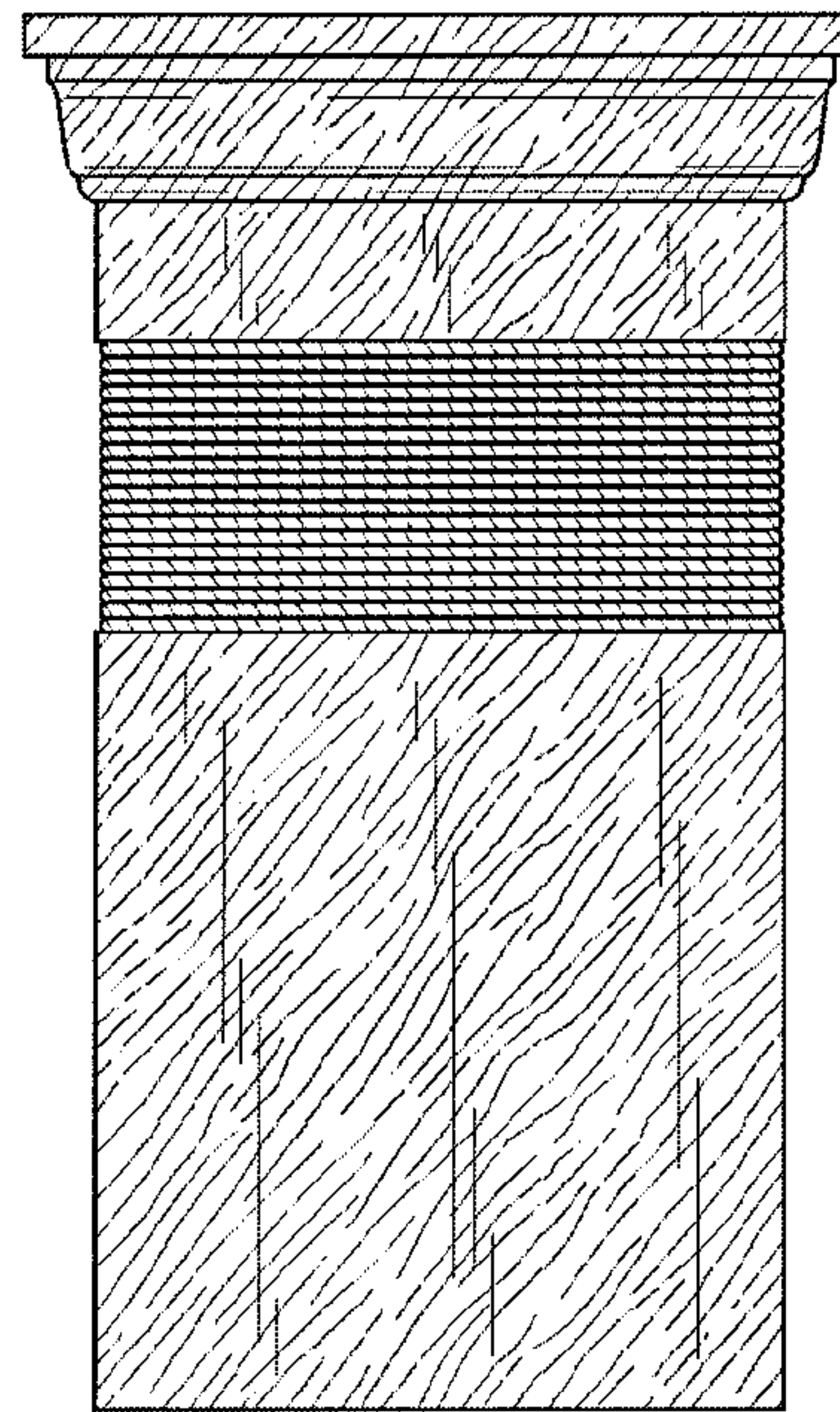


FIG. 7