

US00D704902S

(12) **United States Design Patent**  
**Wu**

(10) **Patent No.:** **US D704,902 S**  
(45) **Date of Patent:** **\*\* May 13, 2014**

(54) **PET BOWL**

(75) Inventor: **Wang Wu**, Baolong Industrial (CN)

(73) Assignee: **Shenzhen Xingrisheng Industrial Co., Ltd.**, Shenzhen (CN)

(\*\*) Term: **14 Years**

(21) Appl. No.: **29/397,198**

(22) Filed: **Jul. 13, 2011**

(30) **Foreign Application Priority Data**

Jan. 20, 2011 (CN) ..... 2011 3 0012559

(51) **LOC (10) Cl.** ..... **30-03**

(52) **U.S. Cl.**  
USPC ..... **D30/129**

(58) **Field of Classification Search**

USPC ..... D30/121, 122, 129-133; 119/61.5, 119/51.01, 61.56, 51.03, 59, 62, 63, 51.5, 119/57.8, 74, 61.54, 61.55; 312/204; 248/151, 188; 108/156, 153.1-157; 220/23.87, 630, 737, 743, 9.4, 495.01, 220/574, 212, 255, 23.83; 206/515; D7/586, 543, 550.1, 587, 505, 584, D7/545, 500, 553.1-553.8, 546, 555, 556, D7/504, 565, 562, 602; D9/429; 43/109; D22/122; 99/430, DIG. 15

See application file for complete search history.

(56) **References Cited**

**U.S. PATENT DOCUMENTS**

D22,701 S \* 8/1893 McGill ..... D9/425  
D25,617 S \* 6/1896 Gaskill ..... D9/529  
D76,507 S \* 10/1928 Vericel ..... D7/354  
D80,709 S \* 3/1930 Teague ..... D9/559  
D90,045 S \* 5/1933 Petty ..... D9/559  
D101,140 S \* 9/1936 Robertson ..... D30/129  
2,121,165 A \* 6/1938 Slobodkin ..... 220/574

2,142,811 A \* 1/1939 Agonis ..... 215/384  
D152,875 S \* 3/1949 Frame ..... D9/542  
D155,559 S \* 10/1949 Tillmann ..... D9/529  
D157,683 S \* 3/1950 Jung ..... D9/453  
D181,825 S \* 12/1957 Vuilleminot ..... D9/555  
D187,604 S \* 4/1960 Dreitzer ..... D7/562  
D192,191 S \* 2/1962 Han ..... D9/429  
D192,657 S \* 4/1962 Mox ..... D9/429  
D193,118 S \* 6/1962 Bostrom ..... D9/429  
D195,230 S \* 5/1963 Dubbs ..... D9/538  
D201,192 S \* 5/1965 Neil ..... D7/562  
D201,194 S \* 5/1965 Neil ..... D7/562  
D204,212 S \* 3/1966 Davis ..... D9/429  
D205,802 S \* 9/1966 Pettengill ..... D9/538  
3,397,867 A \* 8/1968 Van't Hoff ..... 366/341  
D214,130 S \* 5/1969 Appel ..... D7/565  
3,443,715 A \* 5/1969 Edwards ..... 220/671  
D216,870 S \* 3/1970 Gregor ..... D9/429  
D218,020 S \* 7/1970 Musson ..... D9/538  
3,558,001 A \* 1/1971 Fritz et al. .... 220/614  
D220,250 S \* 3/1971 Plummer ..... D9/556  
3,836,042 A \* 9/1974 Petitto ..... 206/519

(Continued)

*Primary Examiner* — Susan Moon Lee

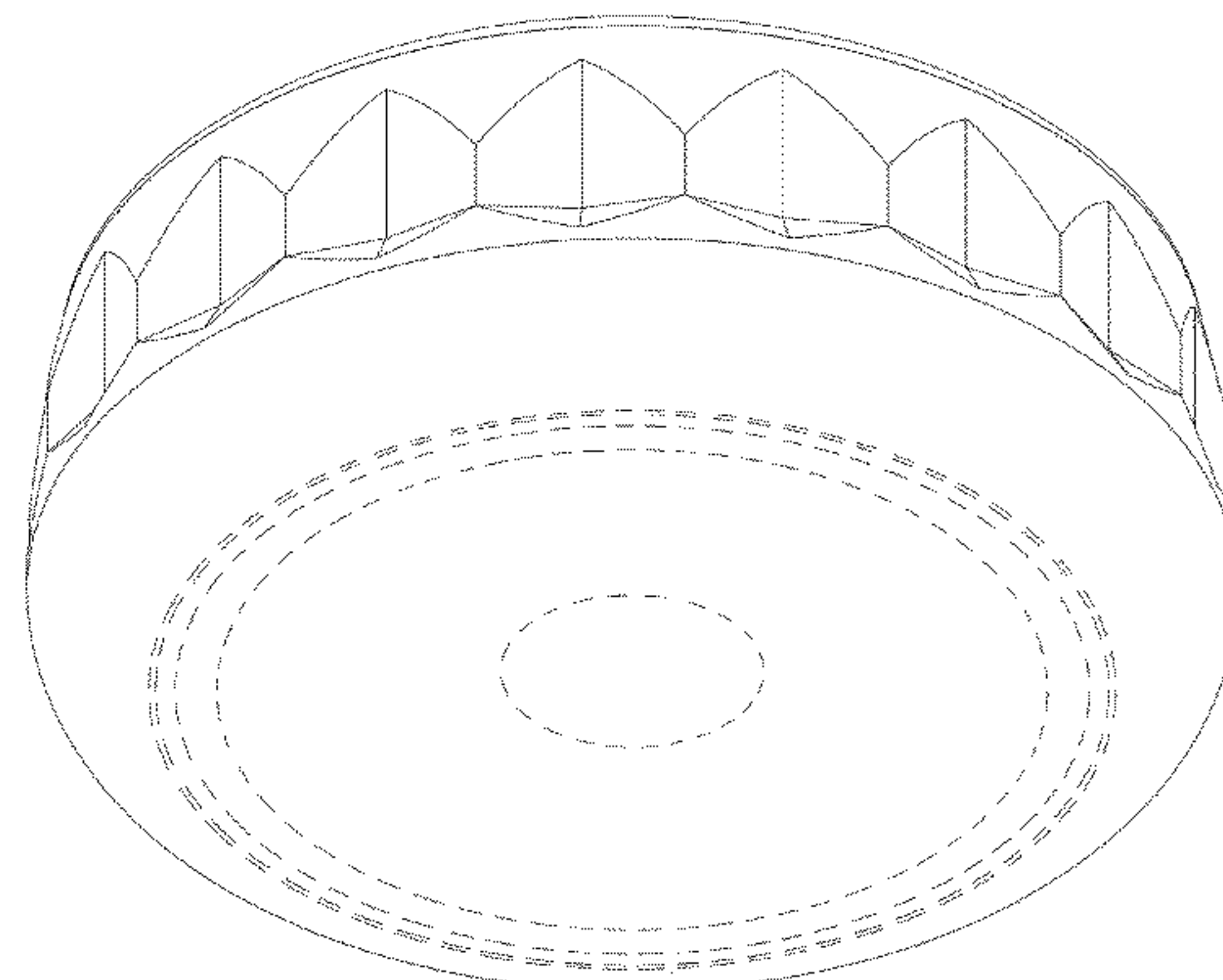
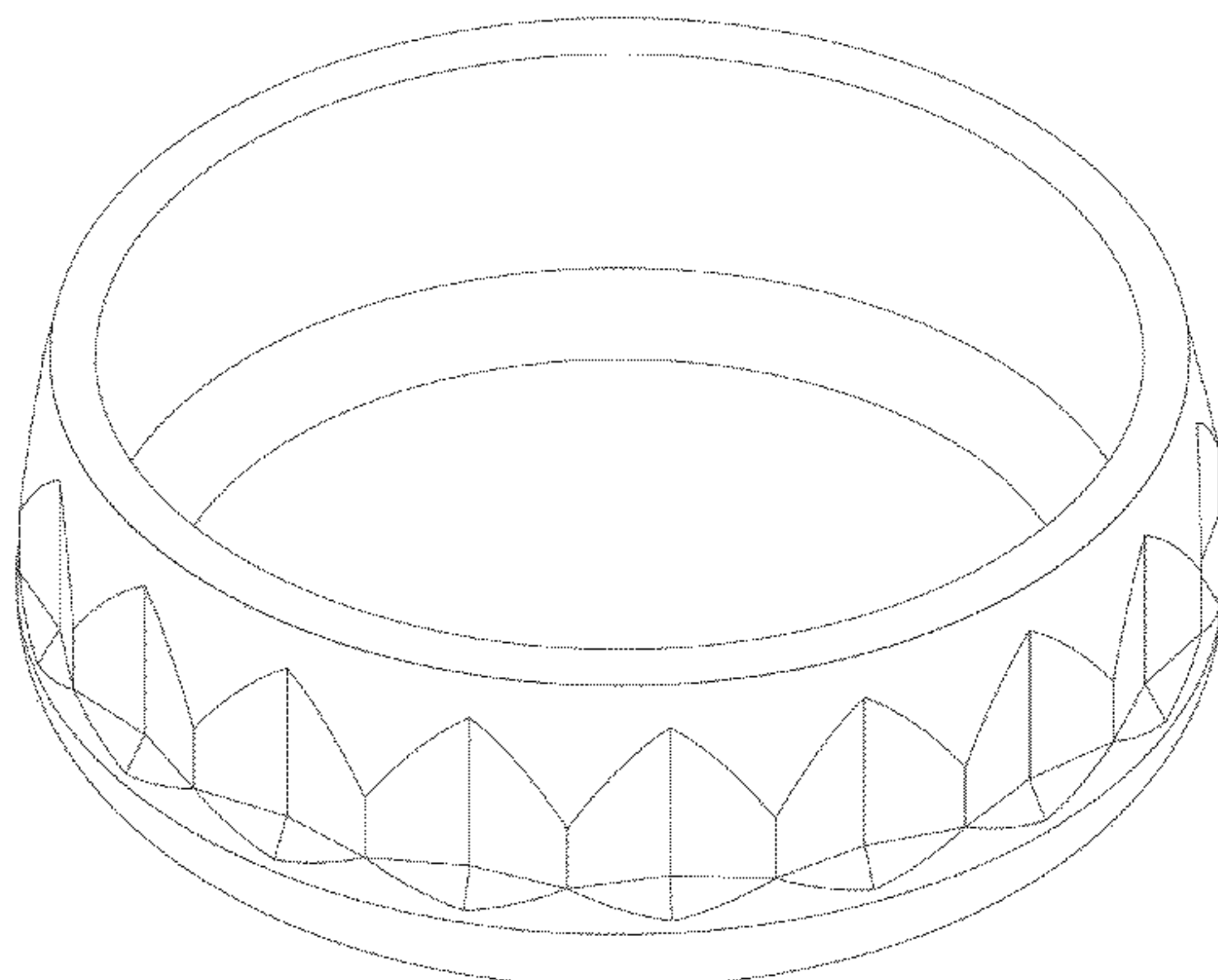
(57) **CLAIM**

The ornamental design for pet bowl, described in appearance and pattern, as shown and described.

**DESCRIPTION**

FIG. 1 is a top perspective view of a pet bowl showing my new design;  
FIG. 2 is a bottom perspective view thereof;  
FIG. 3 is a front elevation view thereof;  
FIG. 4 is a rear elevation view thereof;  
FIG. 5 is a left side view thereof;  
FIG. 6 is a right side view thereof;  
FIG. 7 is a top plan view thereof; and,  
FIG. 8 is a bottom view thereof.  
Broken lines and portions contained within broken line are not claimed.

**1 Claim, 6 Drawing Sheets**



(56)

References Cited

U.S. PATENT DOCUMENTS

3,934,725	A *	1/1976	Edwards	206/519	D414,413	S *	9/1999	Brown	D9/429
D240,885	S *	8/1976	Benes	D7/562	D423,149	S *	4/2000	Cooper et al.	D30/129
D248,269	S *	6/1978	Schreckengost	D7/565	D436,499	S *	1/2001	Pritchard et al.	D7/530
D249,967	S *	10/1978	Benes	D27/133	D441,660	S *	5/2001	Denner et al.	D9/571
D266,310	S *	9/1982	Fidler et al.	D9/556	D442,860	S *	5/2001	Symons et al.	D9/428
D270,512	S *	9/1983	Thrush	D7/597	D454,304	S *	3/2002	Kim et al.	D9/429
D271,083	S *	10/1983	Tyler	D9/429	D460,019	S *	7/2002	Thimm	D11/148
D271,855	S *	12/1983	Thrush	D9/520	D482,967	S *	12/2003	Bourque et al.	D9/435
4,446,969	A *	5/1984	Tyler	206/519	D491,696	S *	6/2004	Cole et al.	D30/129
D276,872	S *	12/1984	Williams	D7/540	D493,664	S *	8/2004	Siegel et al.	D7/354
D288,065	S *	2/1987	Tyler	D9/429	6,866,905	B1 *	3/2005	Sandstrom et al.	428/34.1
D292,486	S *	10/1987	Tyler	D9/429	D507,148	S *	7/2005	Spagnolo	D7/360
D315,658	S *	3/1991	Scherer	D7/560	D508,188	S *	8/2005	Zettle et al.	D7/629
D316,360	S *	4/1991	Thorp	D7/565	D531,895	S *	11/2006	Mao et al.	D9/428
5,069,166	A *	12/1991	Ahuna	119/61.53	D541,147	S *	4/2007	LaMasney	D9/428
D341,449	S *	11/1993	Conner	D30/129	D548,077	S *	8/2007	Rocco	D9/444
5,305,911	A *	4/1994	Aylward	220/675	D560,503	S *	1/2008	Siriporn	D9/553
5,415,339	A *	5/1995	Howard	229/403	D564,711	S *	3/2008	Modi et al.	D30/129
D376,954	S *	12/1996	Burns et al.	D7/560	D583,658	S *	12/2008	Follansbee et al.	D9/425
D381,274	S *	7/1997	Luh et al.	D9/566	D587,995	S *	3/2009	Studee	D9/424
D385,749	S *	11/1997	Ebrahim et al.	D7/565	D596,036	S *	7/2009	Yamamoto	D9/529
D386,407	S *	11/1997	Gutting et al.	D9/434	D596,040	S *	7/2009	Lepoitevin	D9/552
D389,415	S *	1/1998	Luh et al.	D9/566	D598,778	S *	8/2009	Lepoitevin	D9/552
D395,822	S *	7/1998	Keal et al.	D9/429	D598,779	S *	8/2009	Lepoitevin	D9/553
D398,854	S *	9/1998	Beechuk et al.	D9/531	D601,309	S *	9/2009	Babal	D30/129
D399,138	S *	10/1998	Beechuk et al.	D9/531	D620,556	S *	7/2010	Hillhouse et al.	D23/235
D402,563	S *	12/1998	Prevot et al.	D9/538	D627,636	S *	11/2010	Fang	D9/429
D403,555	S *	1/1999	Burns et al.	D7/509	D628,883	S *	12/2010	Stephens	D9/429
D406,766	S *	3/1999	Beechuk et al.	D9/531	D636,946	S *	4/2011	Able	D30/129
D407,318	S *	3/1999	Finlay et al.	D9/538	D640,098	S *	6/2011	Seager	D7/562
5,887,739	A *	3/1999	Prevot et al.	215/382	D648,492	S *	11/2011	Able	D30/129
D407,949	S *	4/1999	Henry	D7/562	D656,829	S *	4/2012	Watabe	D9/519
					D674,689	S *	1/2013	Chen	D9/429
					D685,631	S *	7/2013	Rapparini	D9/429
					D694,104	S *	11/2013	Barrett et al.	D9/429

\* cited by examiner

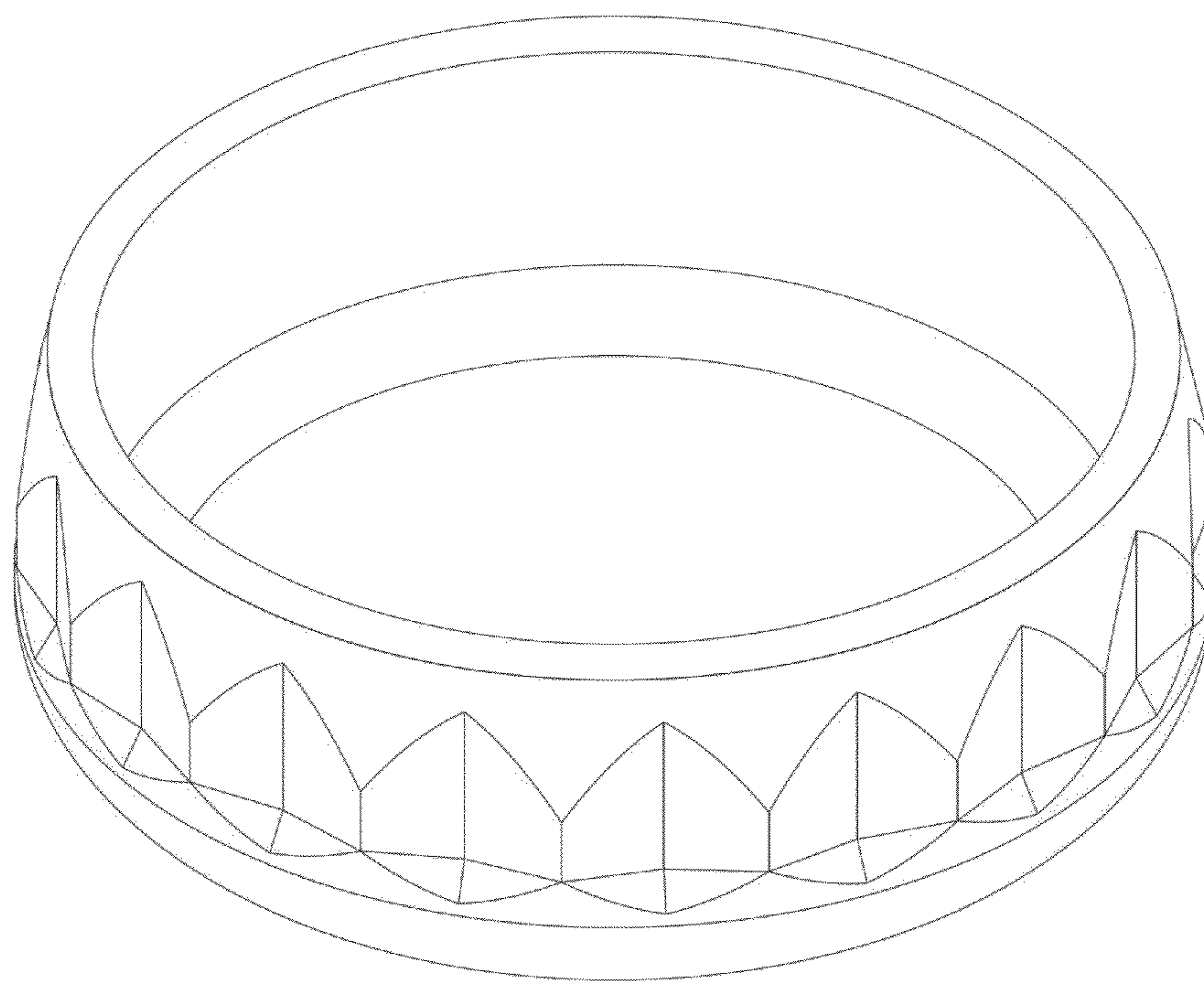


FIG. 1



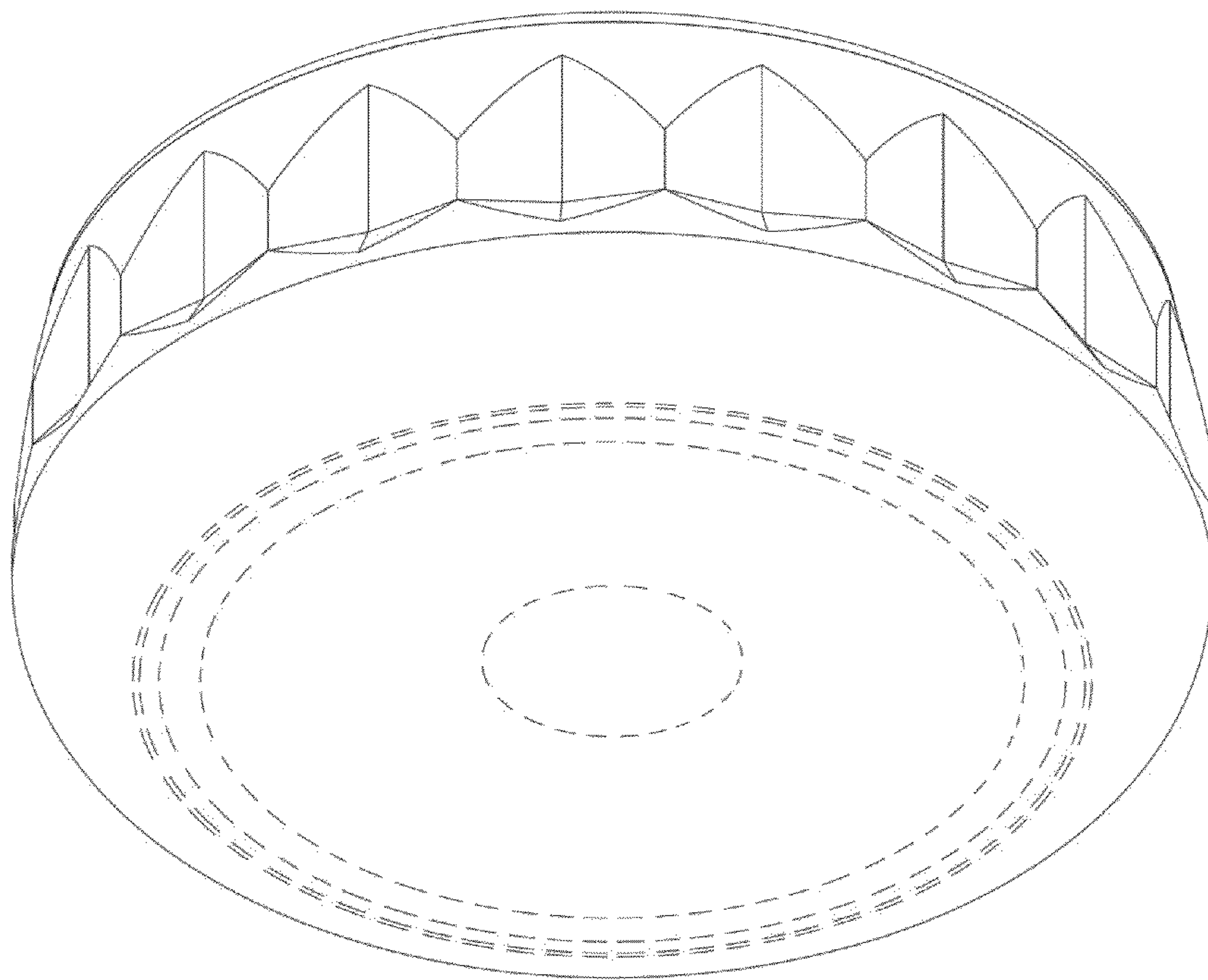


FIG. 2

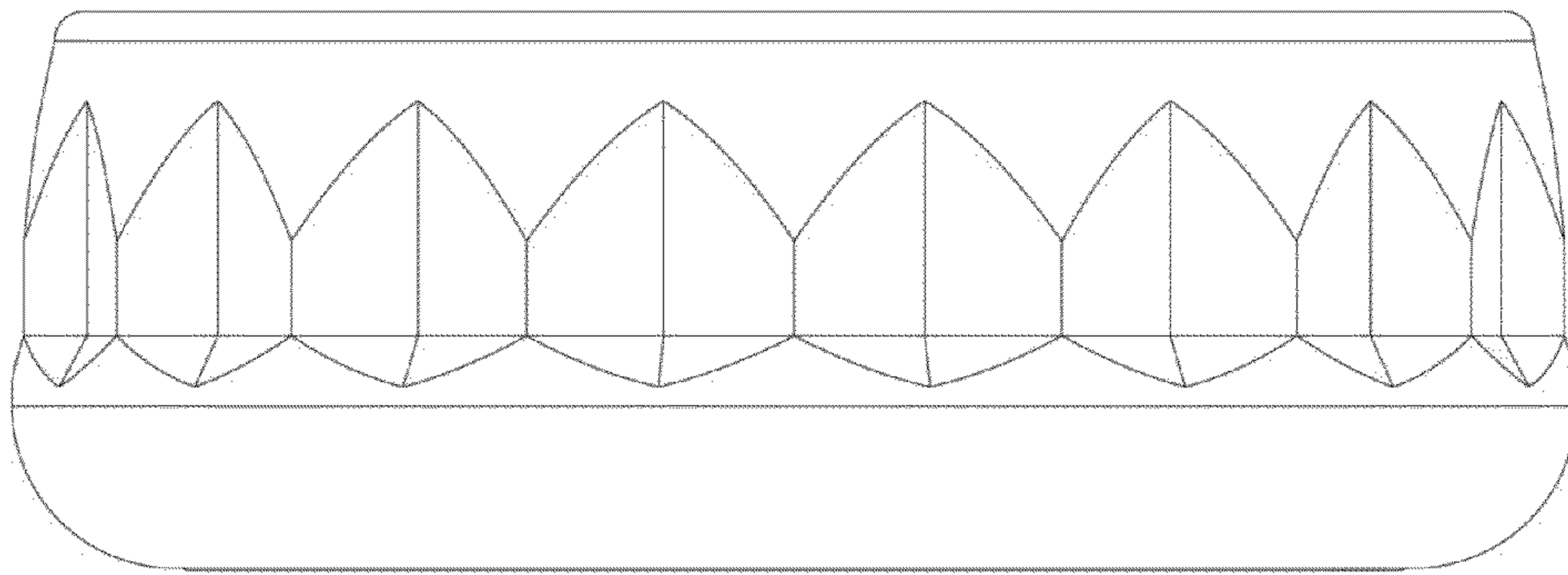


FIG. 3

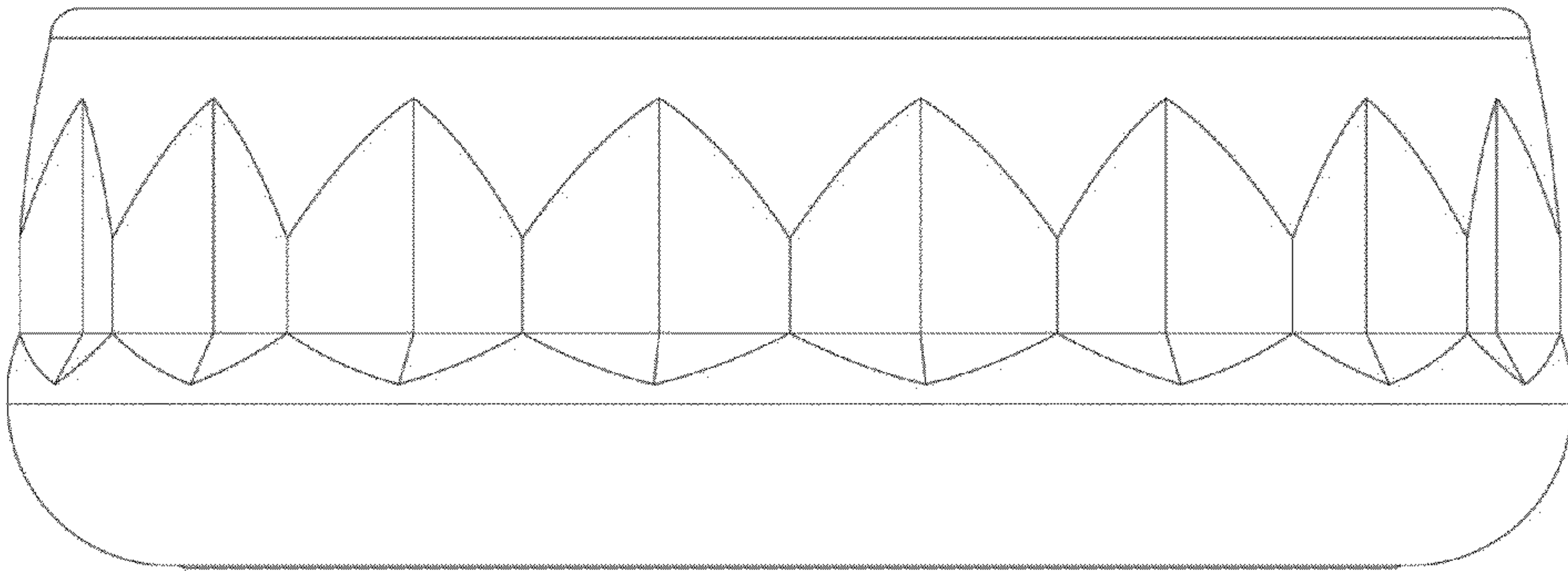


FIG. 4

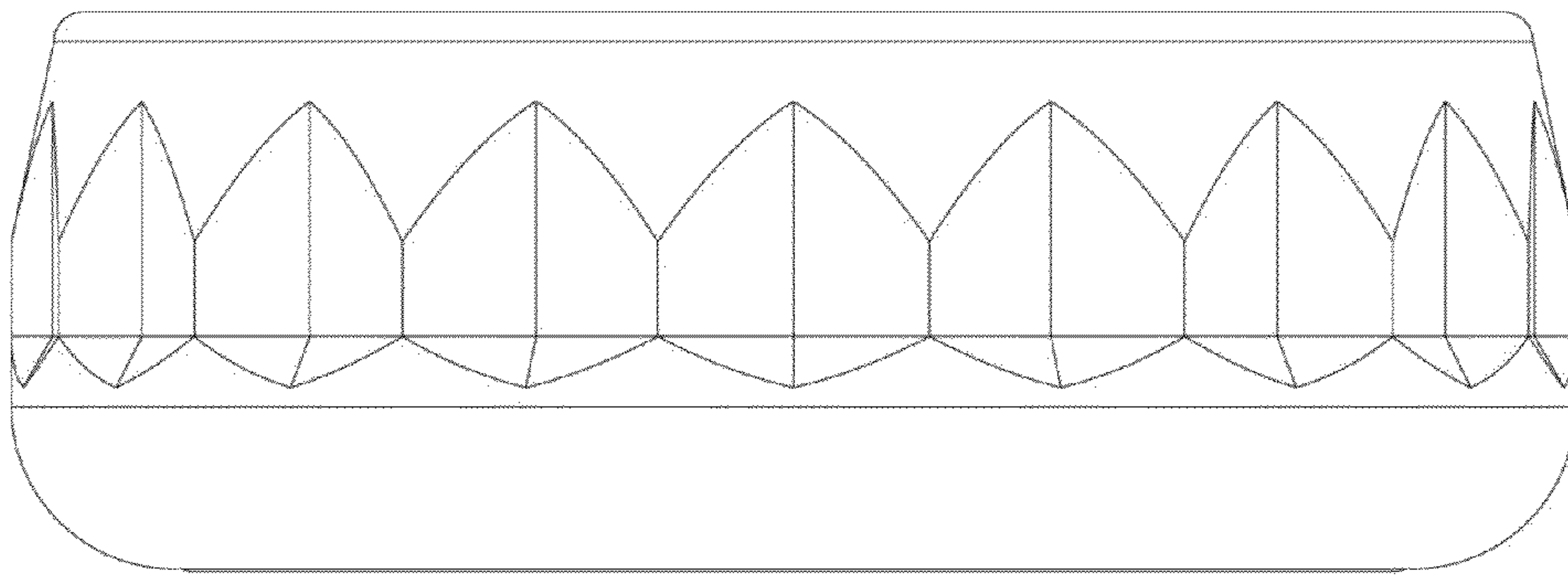


FIG. 5

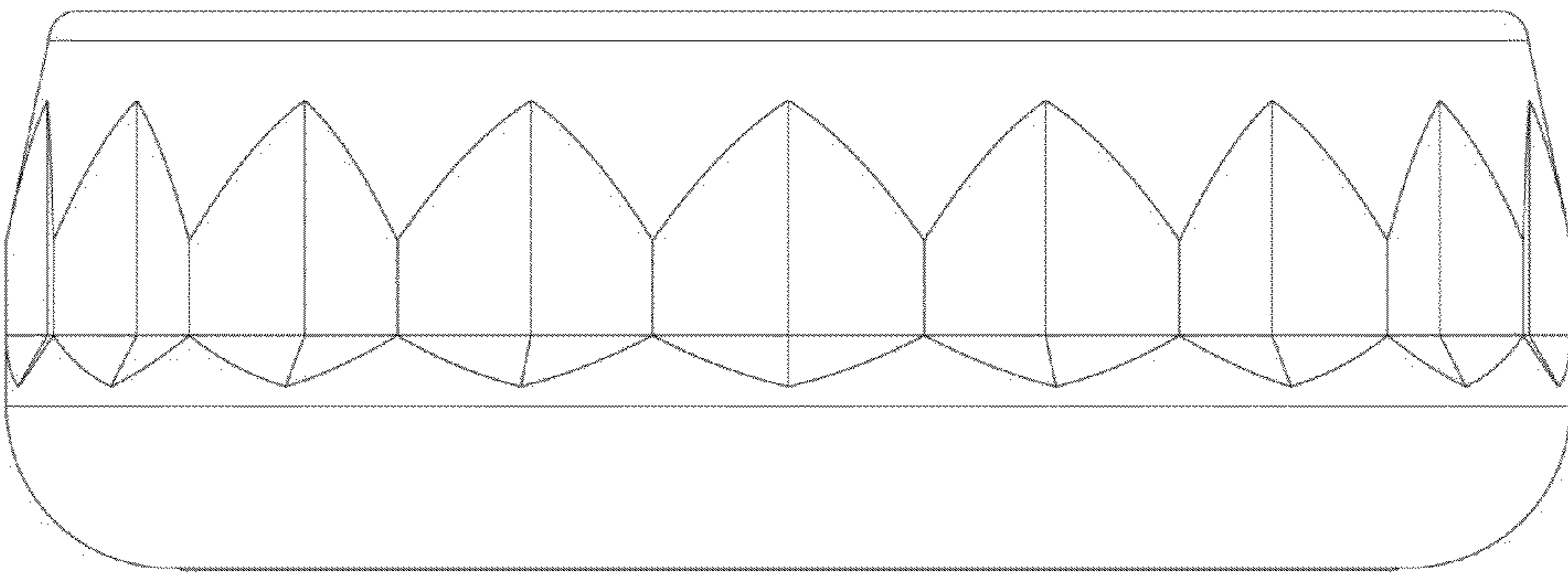


FIG. 6

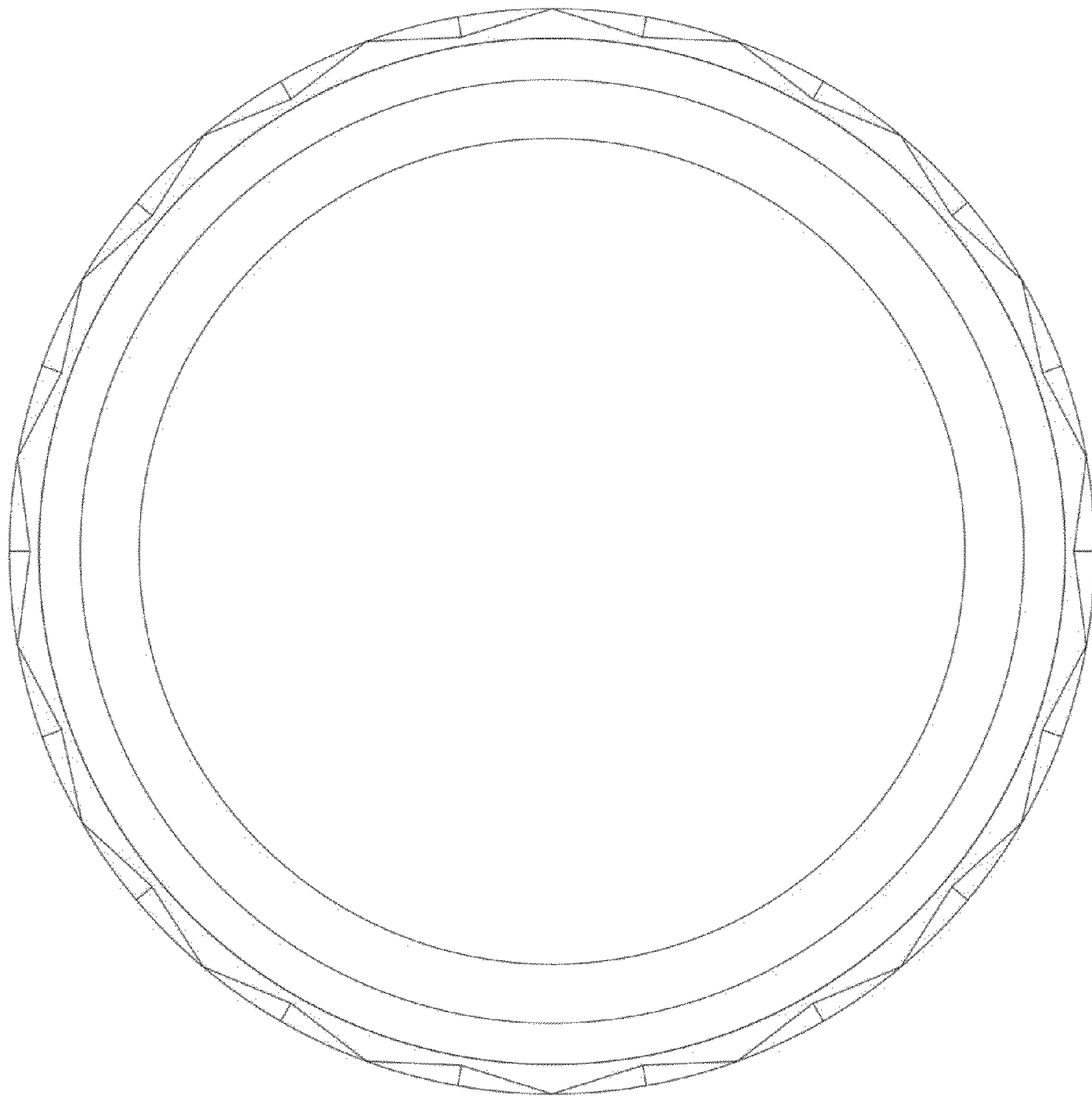


FIG. 7

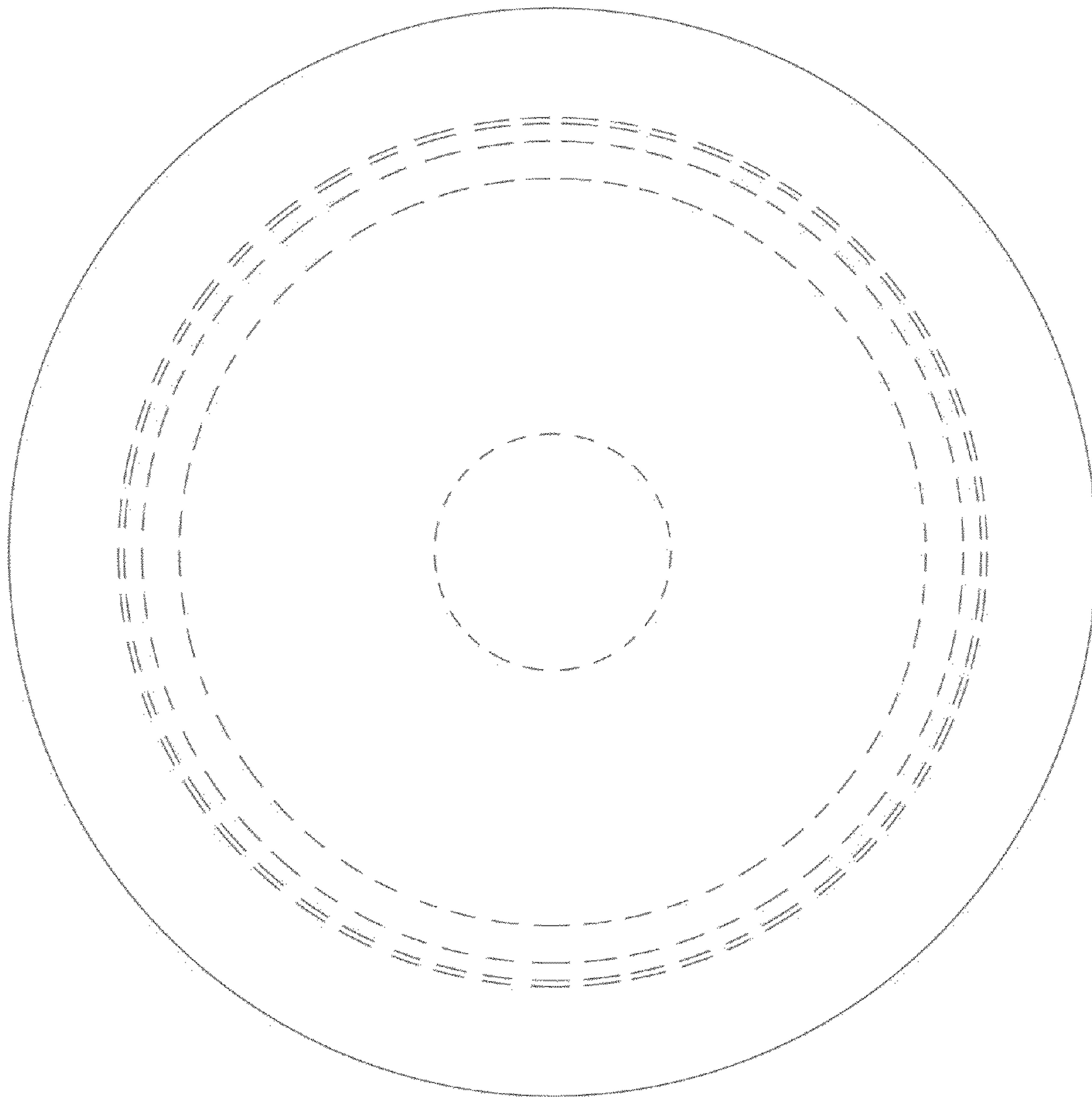


FIG. 8