



US00D704900S

(12) **United States Design Patent**
Childs et al.

(10) **Patent No.:** **US D704,900 S**
(45) **Date of Patent:** **** May 13, 2014**

(54) **FIRE EXTINGUISHER BRACKET AND MOUNT ASSEMBLY**

DESCRIPTION

(71) Applicant: **H3R Aviation, Inc.**, Larkspur, CA (US)

(72) Inventors: **Larry Childs**, Cotati, CA (US); **Chris Dieter**, Santa Rosa, CA (US)

(73) Assignee: **H3R Aviation, Inc.**, Larkspur, CA (US)

(**) Term: **14 Years**

(21) Appl. No.: **29/469,244**

(22) Filed: **Oct. 8, 2013**

(51) **LOC (10) Cl.** **29-01**

(52) **U.S. Cl.**
USPC **D29/130**

(58) **Field of Classification Search**

USPC D24/164, 167, 184–185, 231; D8/53, D8/100, 354, 356, 365, 371, 373, 394–396, D8/499; D6/573; D12/51, 214; D29/125, D29/130; 24/546, 563, 327, 334; 248/74.2, 248/300–301, 312–313, 316.7, 229.26, 248/311.2; 280/645; 294/159; 224/275, 224/407; 16/363; 297/188.02

See application file for complete search history.

(56) **References Cited**

U.S. PATENT DOCUMENTS

2,431,698 A * 12/1947 Lombard 248/311.2
3,224,720 A * 12/1965 Hain 248/313

(Continued)

Primary Examiner — Randall Gholson

(74) *Attorney, Agent, or Firm* — Gordon & Rees LLP

(57) **CLAIM**

The ornamental design for a fire extinguisher bracket and mount assembly, as shown and described.

FIG. 1 is a top left side front perspective view of the assembled fire extinguisher bracket and mount assembly.

FIG. 2 is a top plan view corresponding to FIG. 1.

FIG. 3 is a front elevation view corresponding to FIG. 1.

FIG. 4 is a right side elevation view corresponding to FIG. 1.

FIG. 5 is a left side elevation view corresponding to FIG. 1.

FIG. 6 is a right side top front perspective view corresponding to FIG. 1.

FIG. 7 is a bottom plan view corresponding to FIG. 1.

FIG. 8 is a left side elevation view of the wall mount portion of the fire extinguisher bracket and mount assembly shown separately for ease of illustration.

FIG. 9 is a front elevation view corresponding to FIG. 8.

FIG. 10 is a top plan view corresponding to FIG. 8.

FIG. 11 is a right side elevation view corresponding to FIG. 8.

FIG. 12 is a bottom plan view corresponding to FIG. 8.

FIG. 13 is a left side front perspective view corresponding to FIG. 8.

FIG. 14 is a top right side perspective view of the fire extinguisher receiving bracket portion of the fire extinguisher bracket and mount assembly shown separately for ease of illustration.

FIG. 15 is a top plan view corresponding to FIG. 14.

FIG. 16 is a front elevation view corresponding to FIG. 14.

FIG. 17 is a right side elevation view corresponding to FIG. 14.

FIG. 18 is a left side elevation view corresponding to FIG. 14.

FIG. 19 is a bottom plan view corresponding to FIG. 14.

FIG. 20 is a top right side perspective view of the assembled fire extinguisher bracket and wall mount assembly holding a fire extinguisher therein.

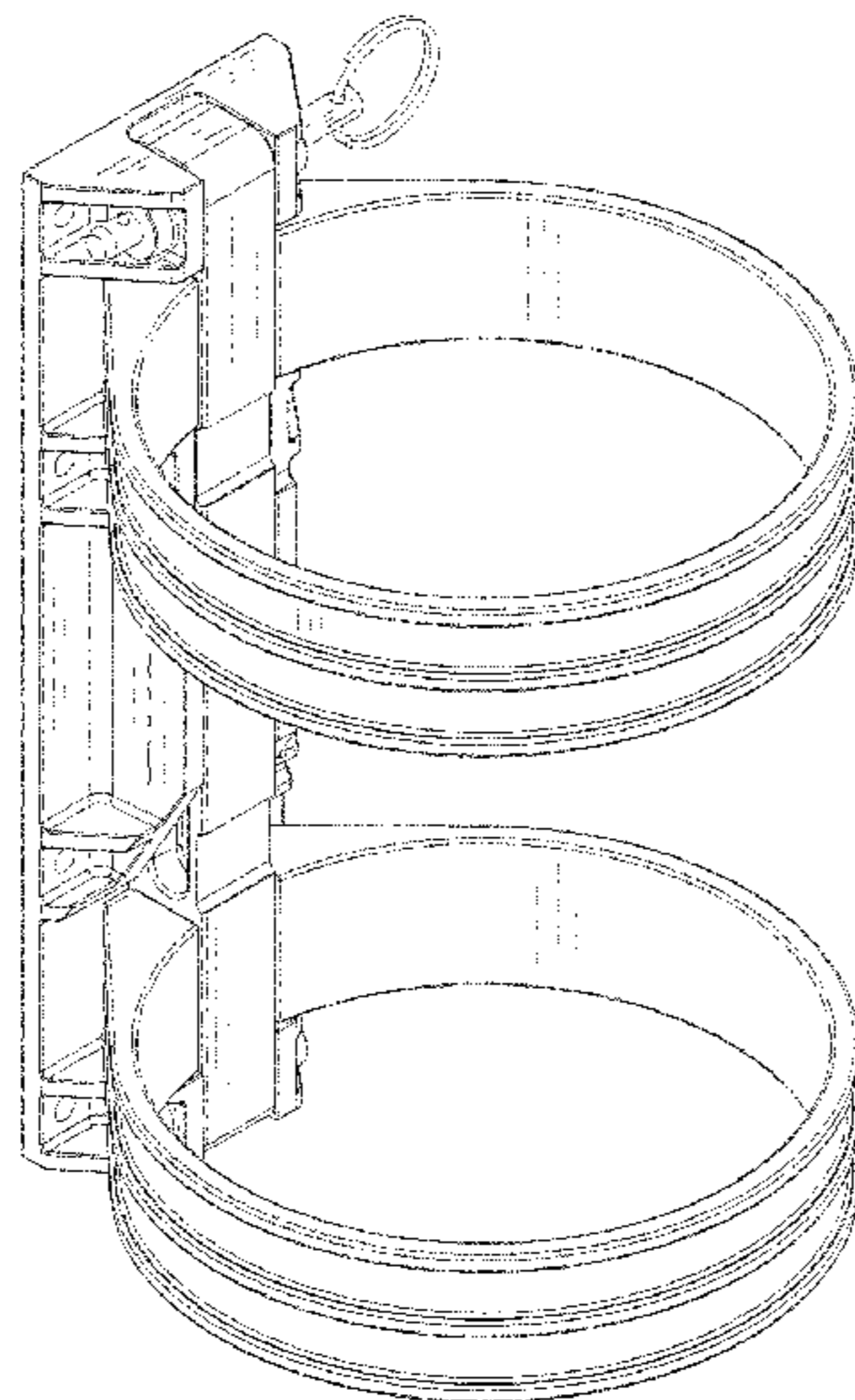
FIG. 21 is a top plan view corresponding to FIG. 20.

FIG. 22 is a front elevation view corresponding to FIG. 20; and,

FIG. 23 is a bottom plan view corresponding to FIG. 20.

The broken lines show unclaimed subject matter and form no part of the claimed design.

1 Claim, 13 Drawing Sheets



US D704,900 S

Page 2

(56)

References Cited

U.S. PATENT DOCUMENTS

D267,227 S *	12/1982	Ziaylek, Jr.	D8/373	6,926,243 B1 *	8/2005	Ziaylek et al.	248/307
D394,381 S *	5/1998	Ziaylek et al.	D8/354	7,503,535 B2 *	3/2009	Ziaylek	248/313
6,220,577 B1 *	4/2001	Ostrow	256/67	D618,987 S *	7/2010	Ziaylek	D8/373
D494,049 S *	8/2004	Ziaylek et al.	D8/373	D620,783 S *	8/2010	Ziaylek	D8/373
				8,220,764 B2 *	7/2012	Ziaylek	248/312

* cited by examiner

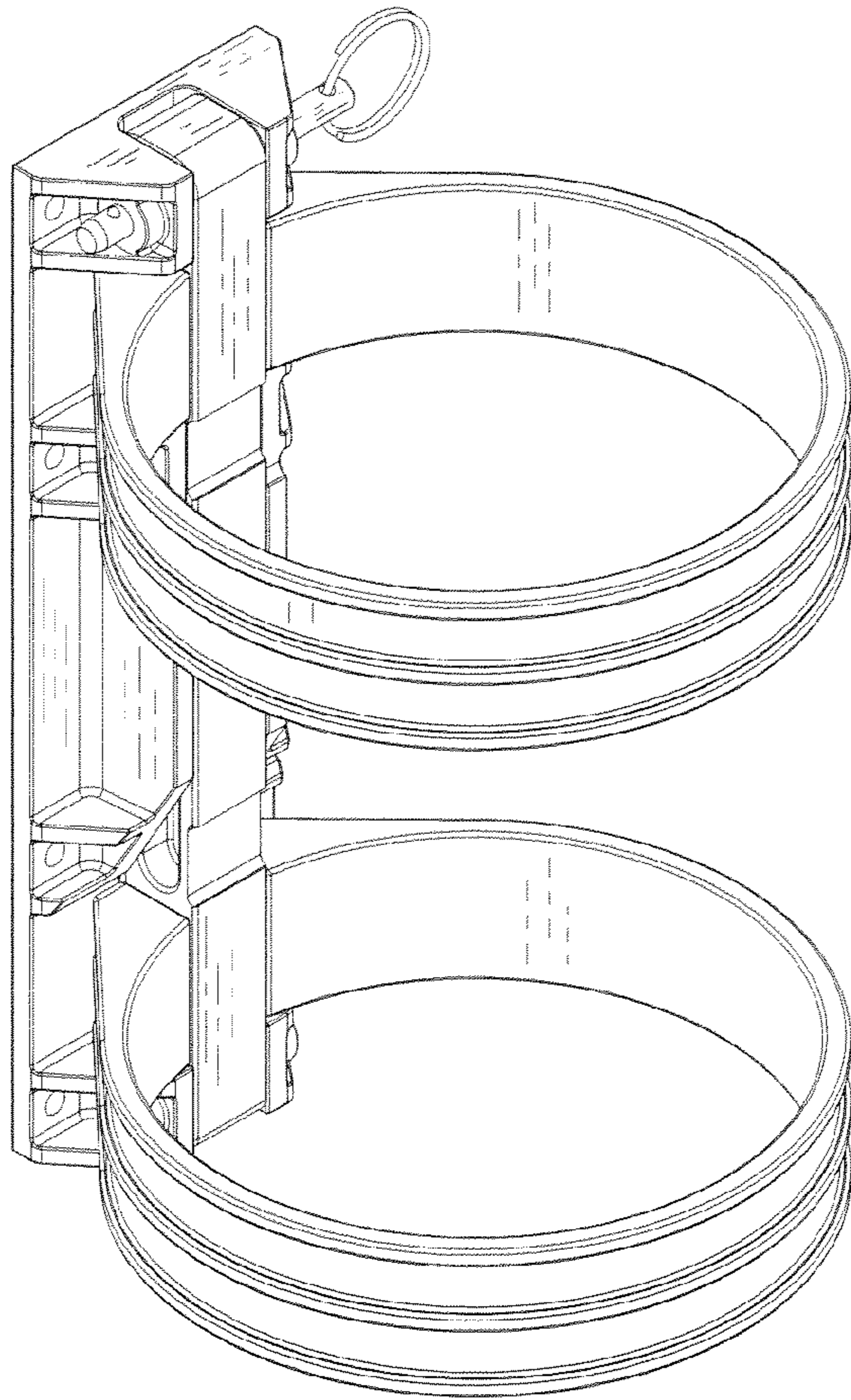


FIG. 1

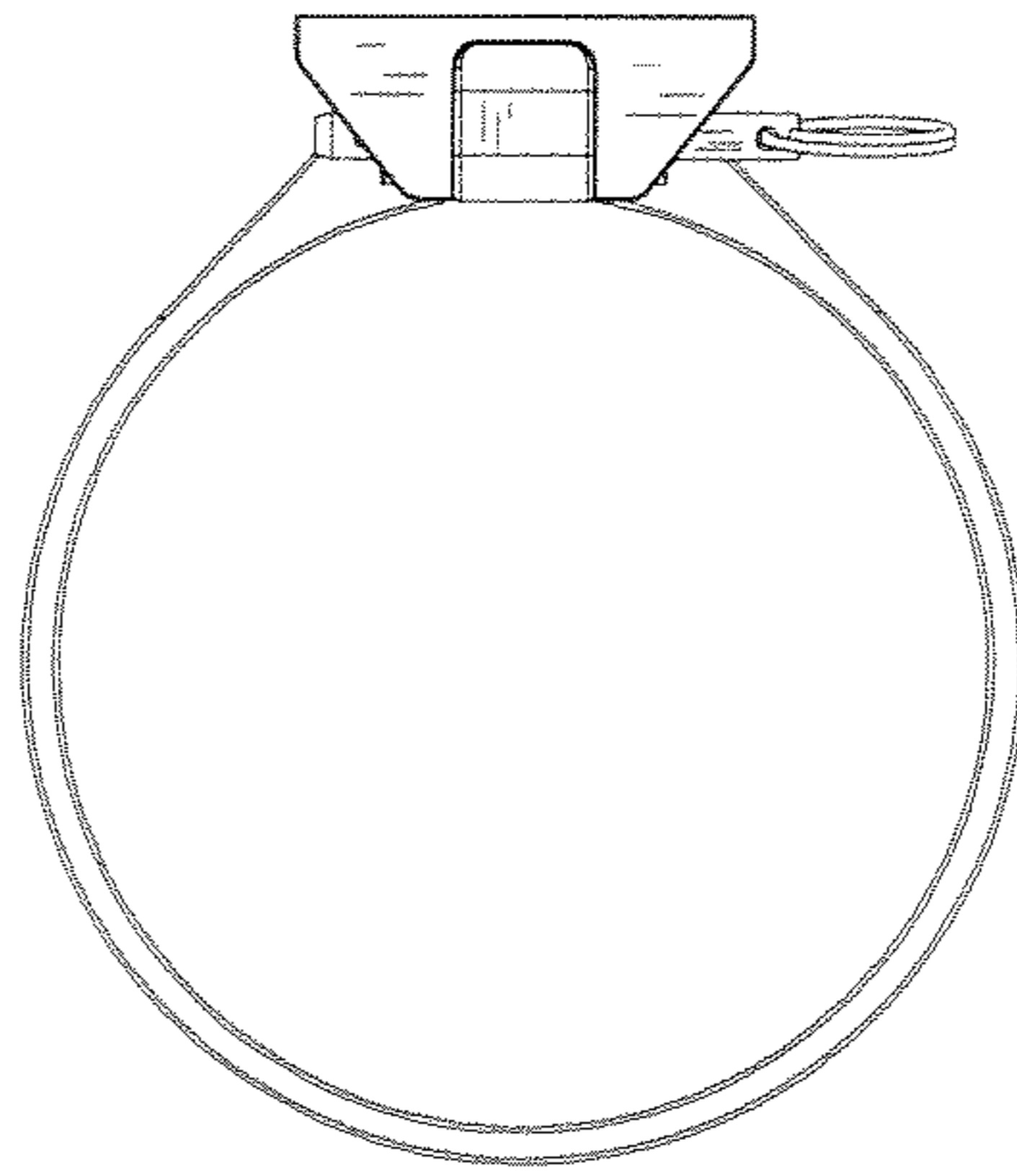


FIG. 2

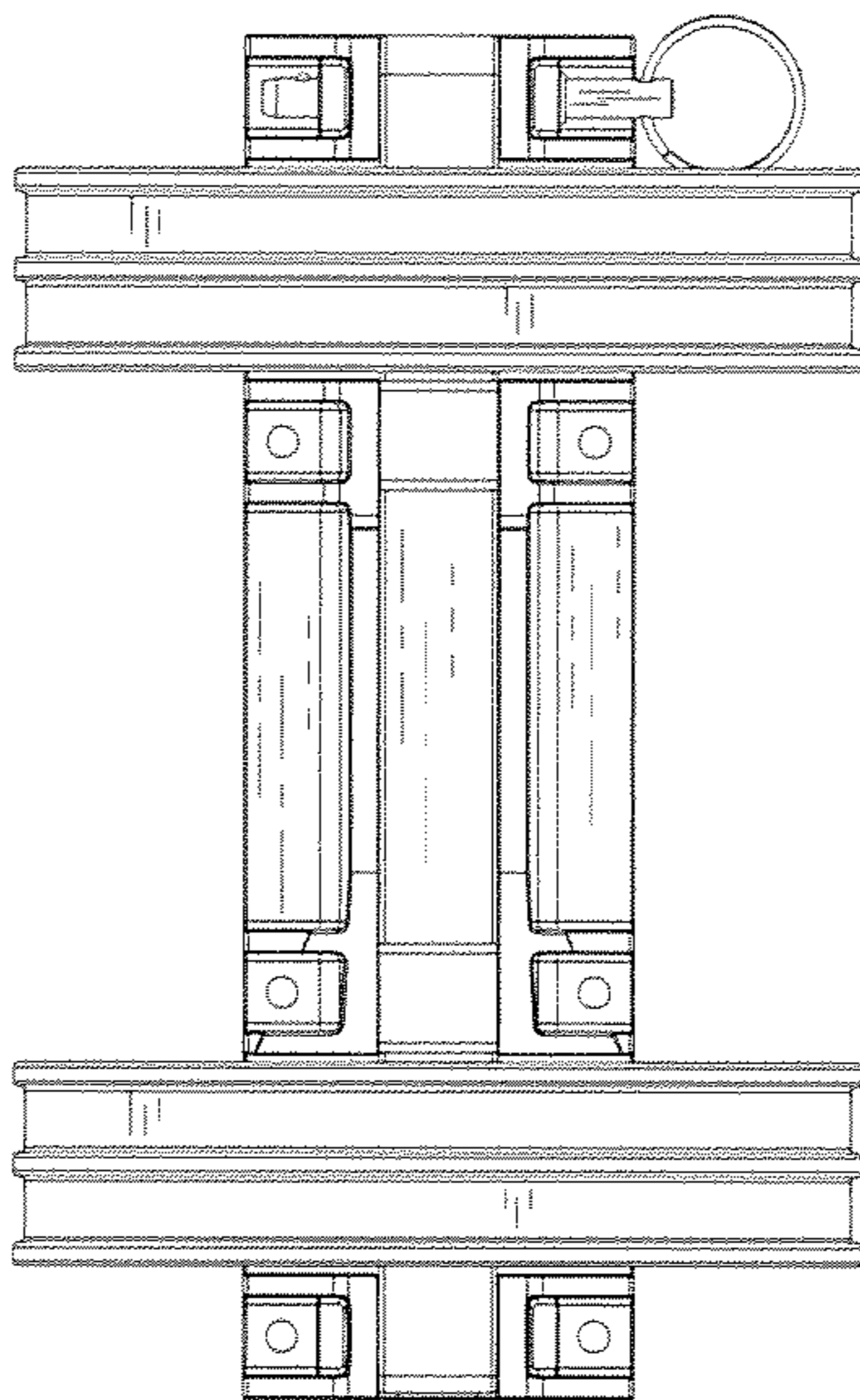


FIG. 3

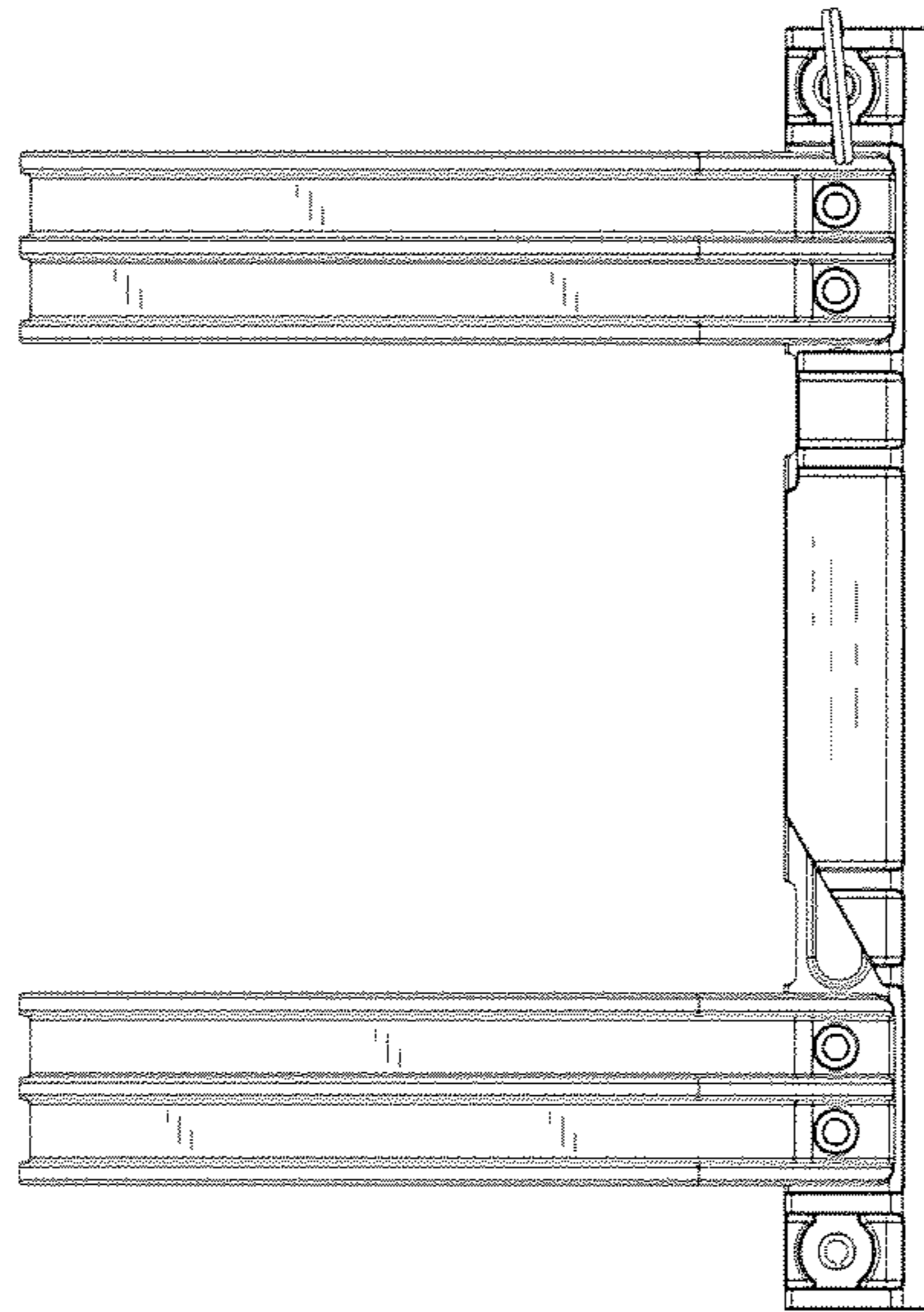


FIG. 4

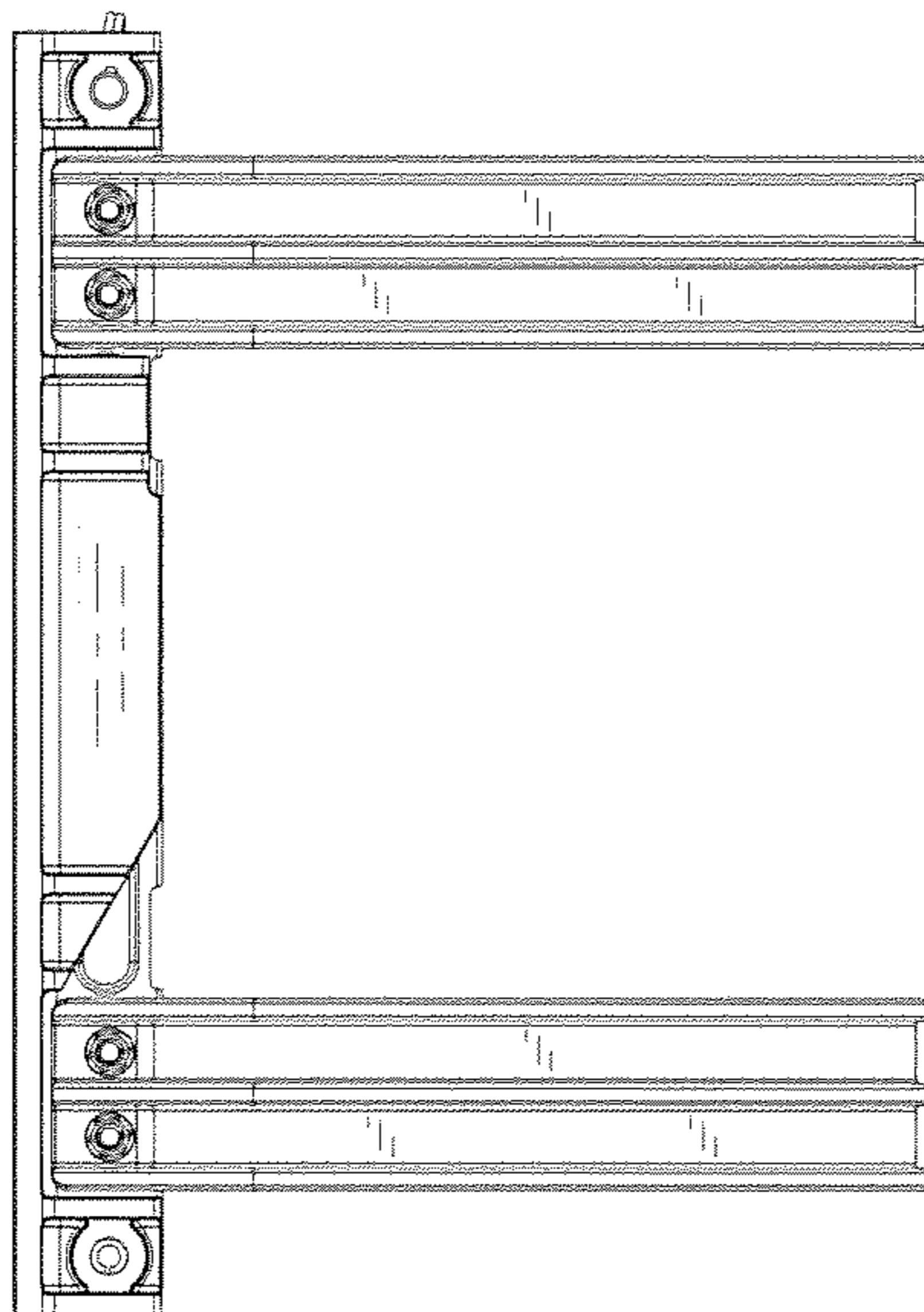


FIG. 5

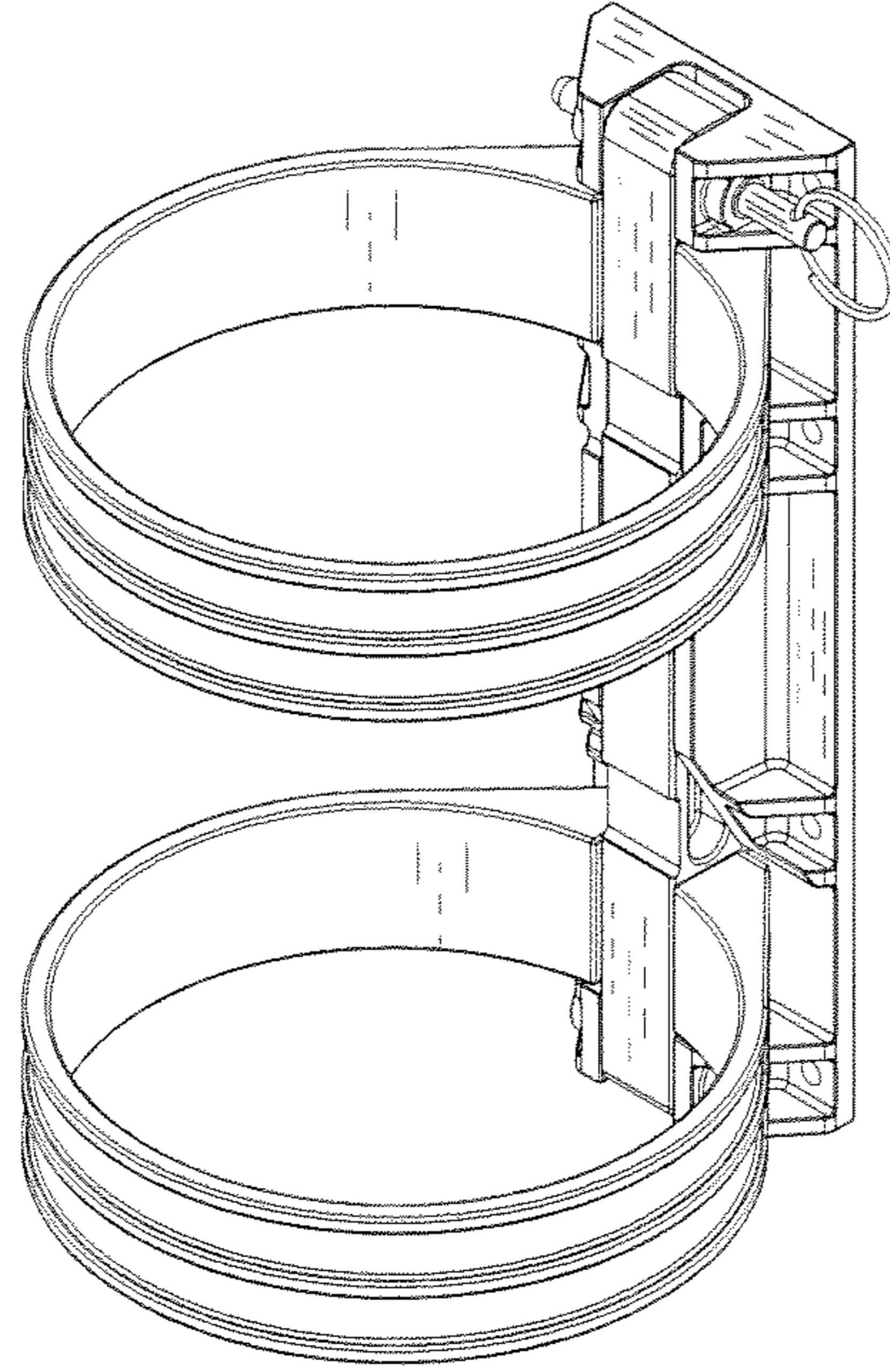


FIG. 6

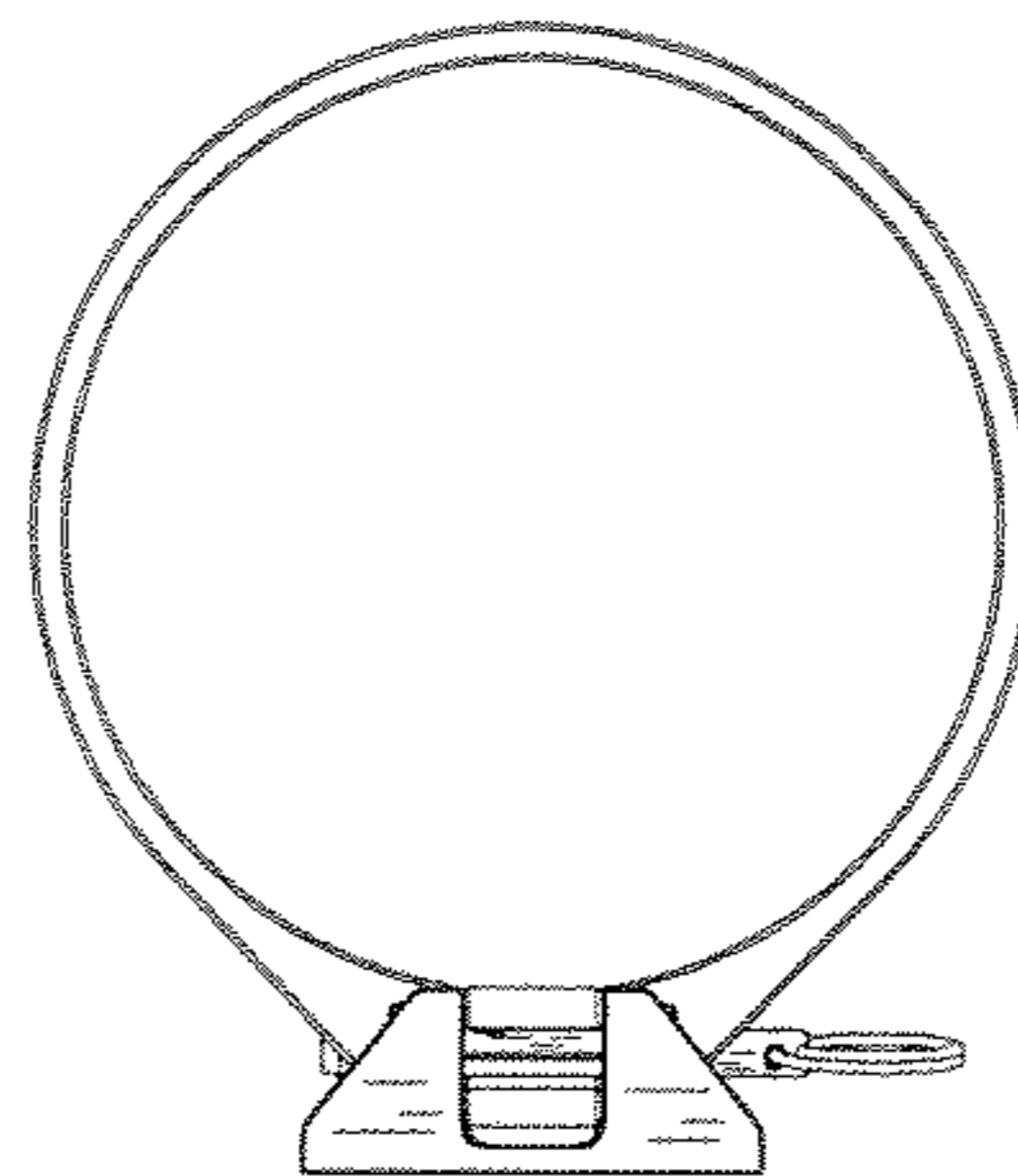


FIG. 7

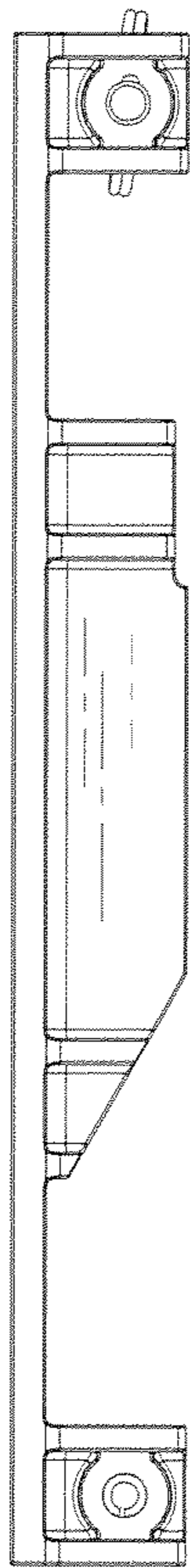


FIG. 8

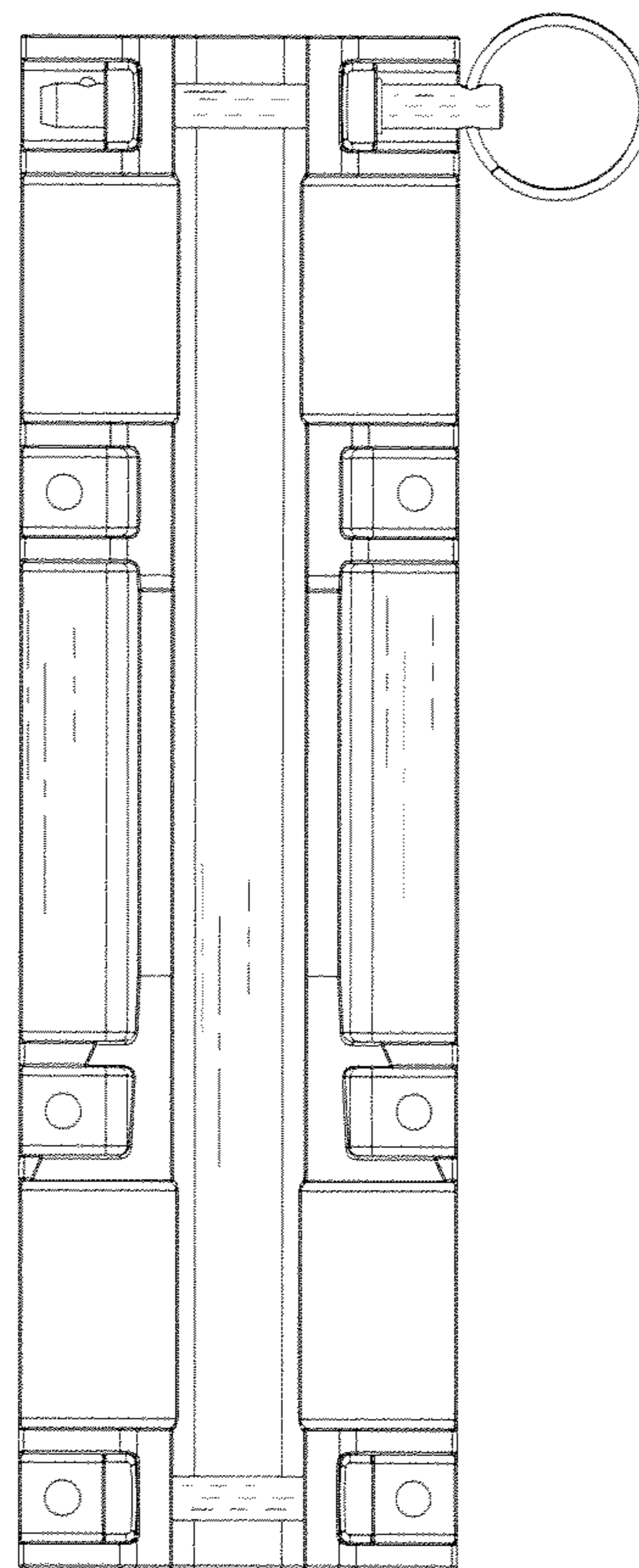


FIG. 9

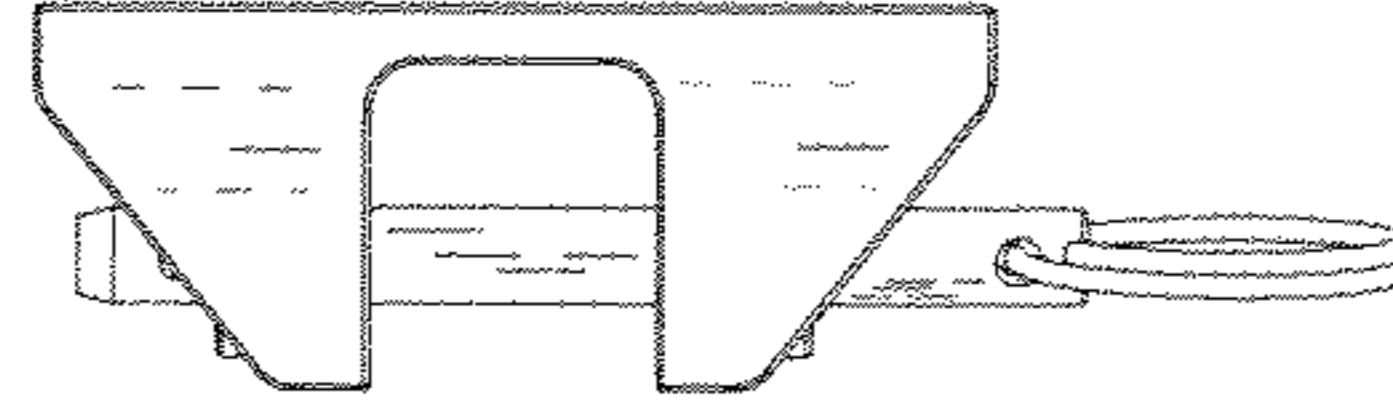


FIG. 10

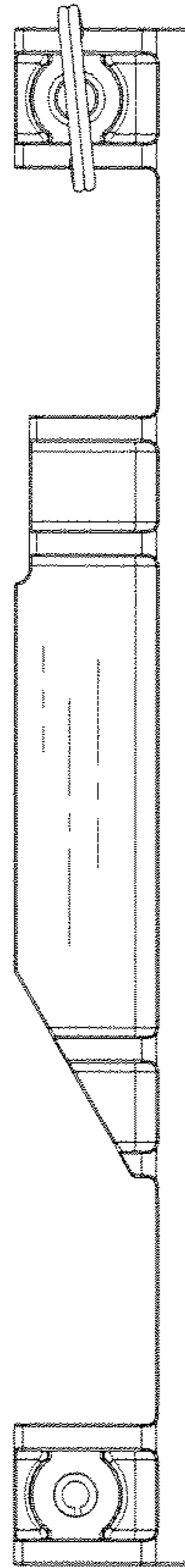


FIG. 11

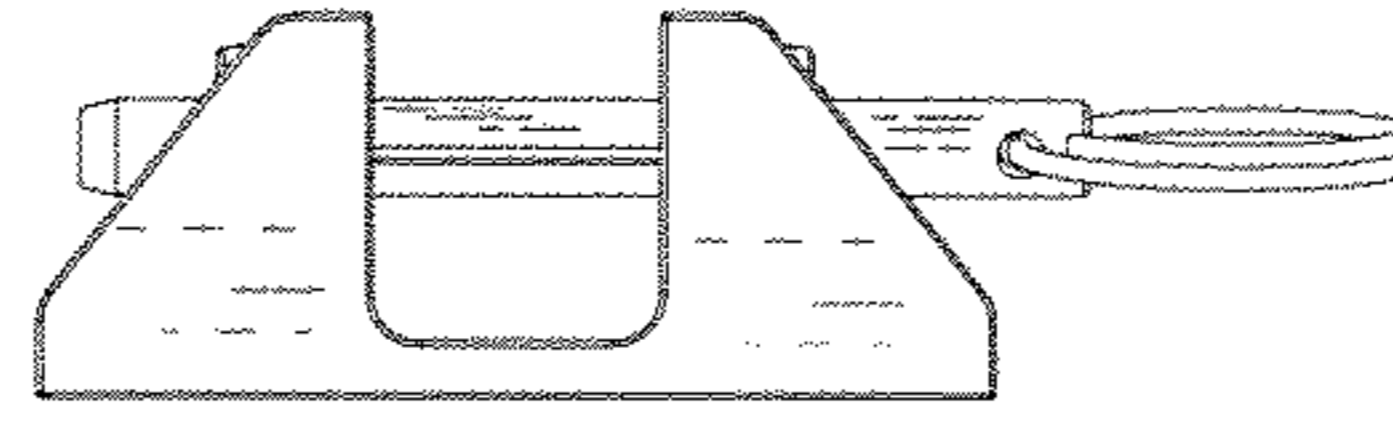


FIG. 12

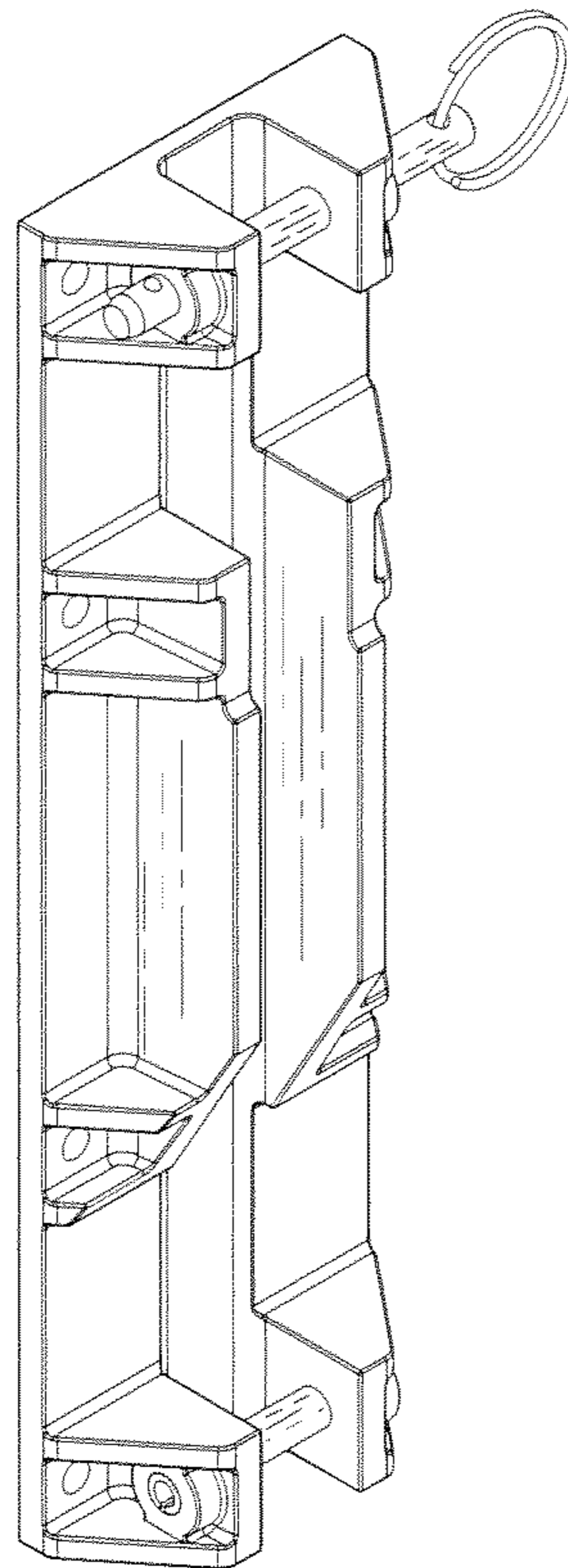


FIG. 13

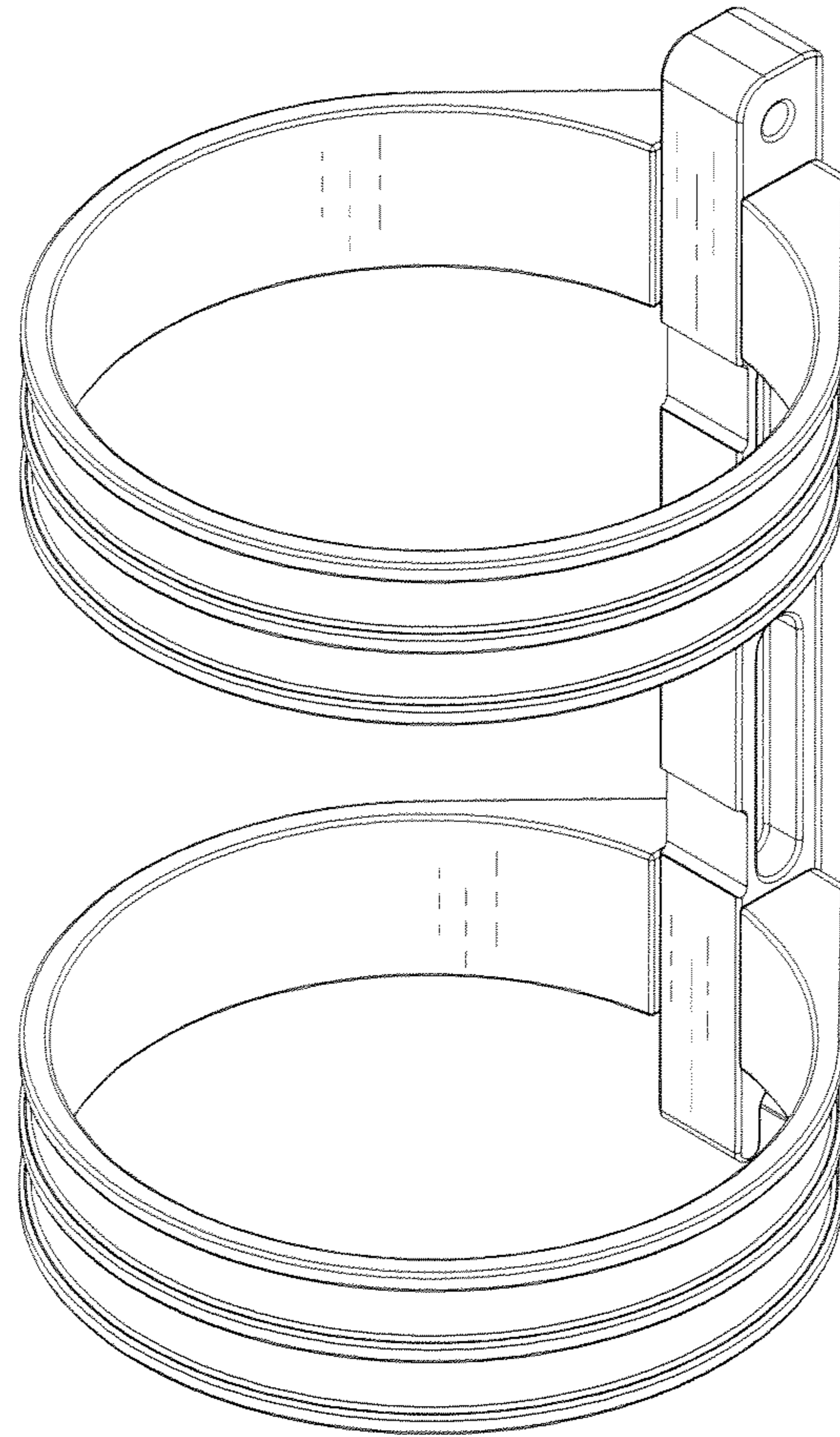


FIG. 14

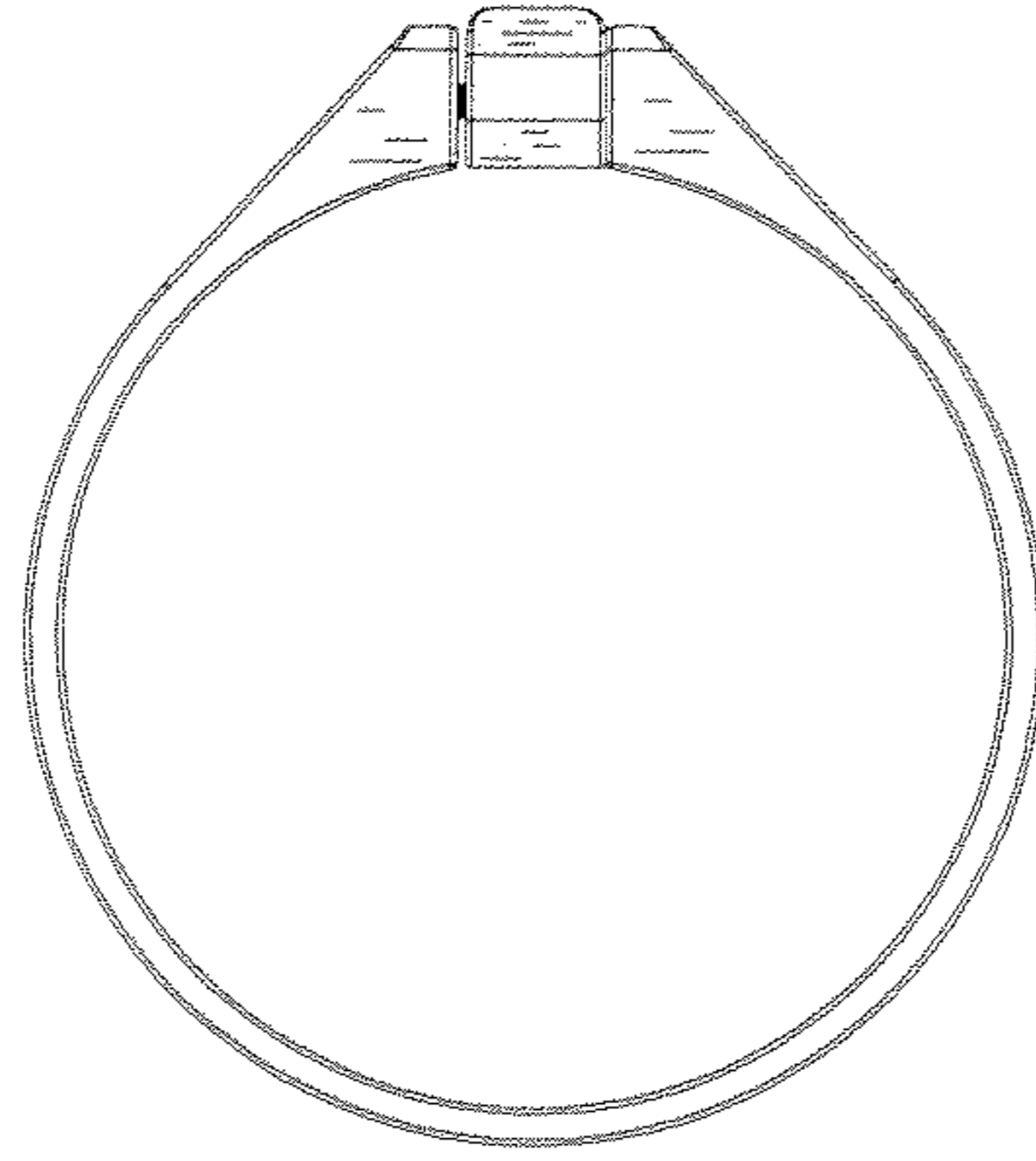


FIG. 15

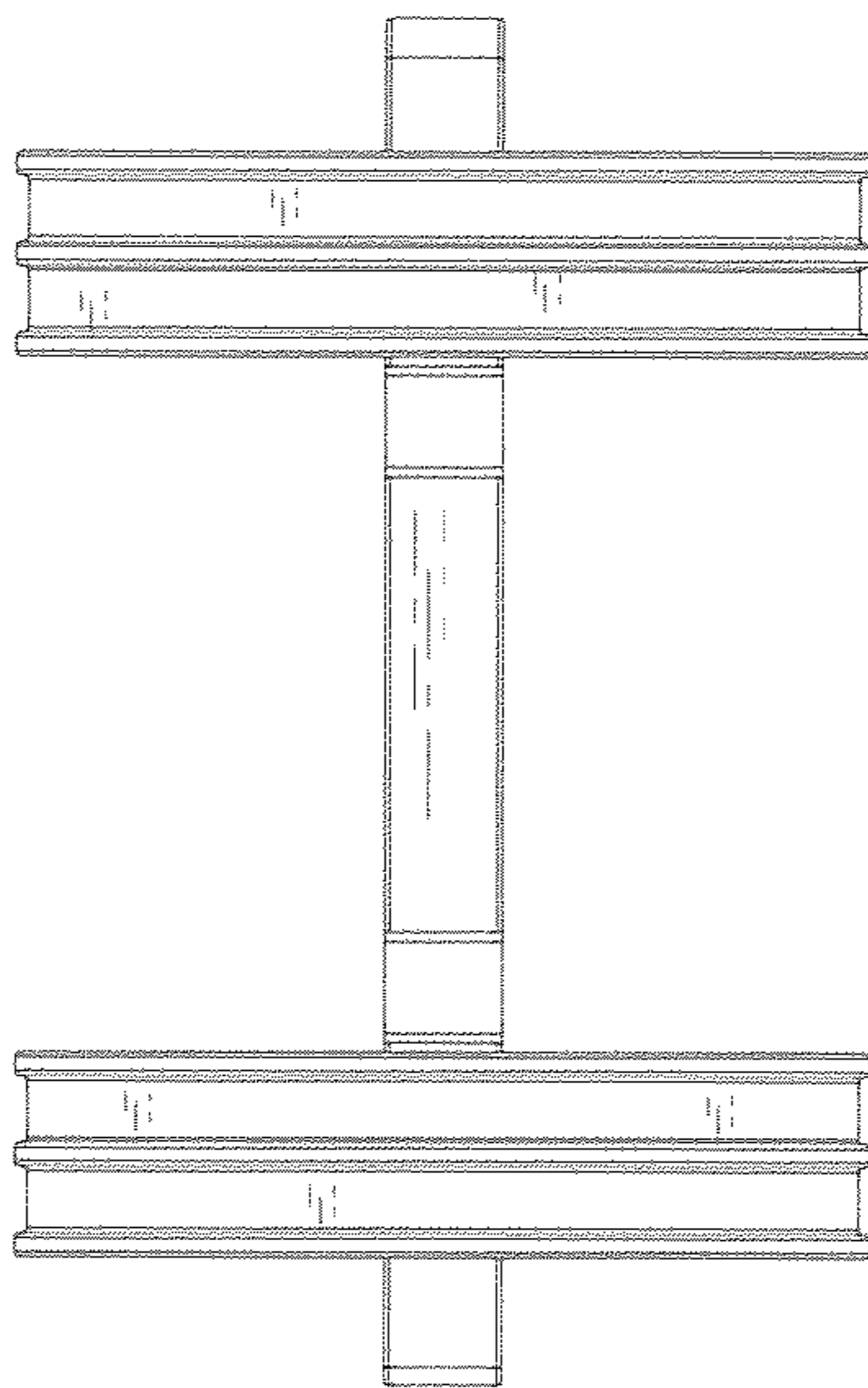


FIG. 16

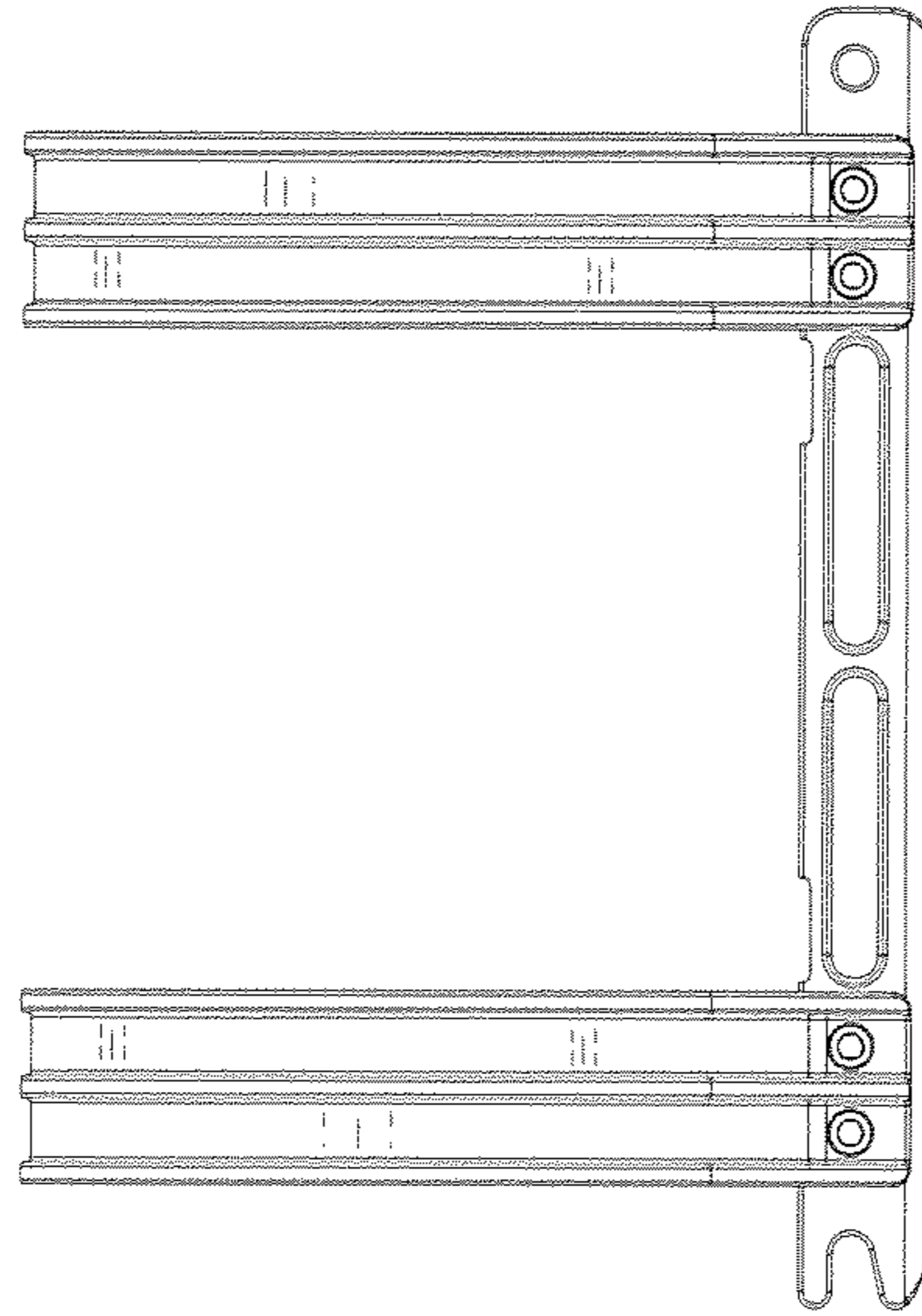


FIG. 17

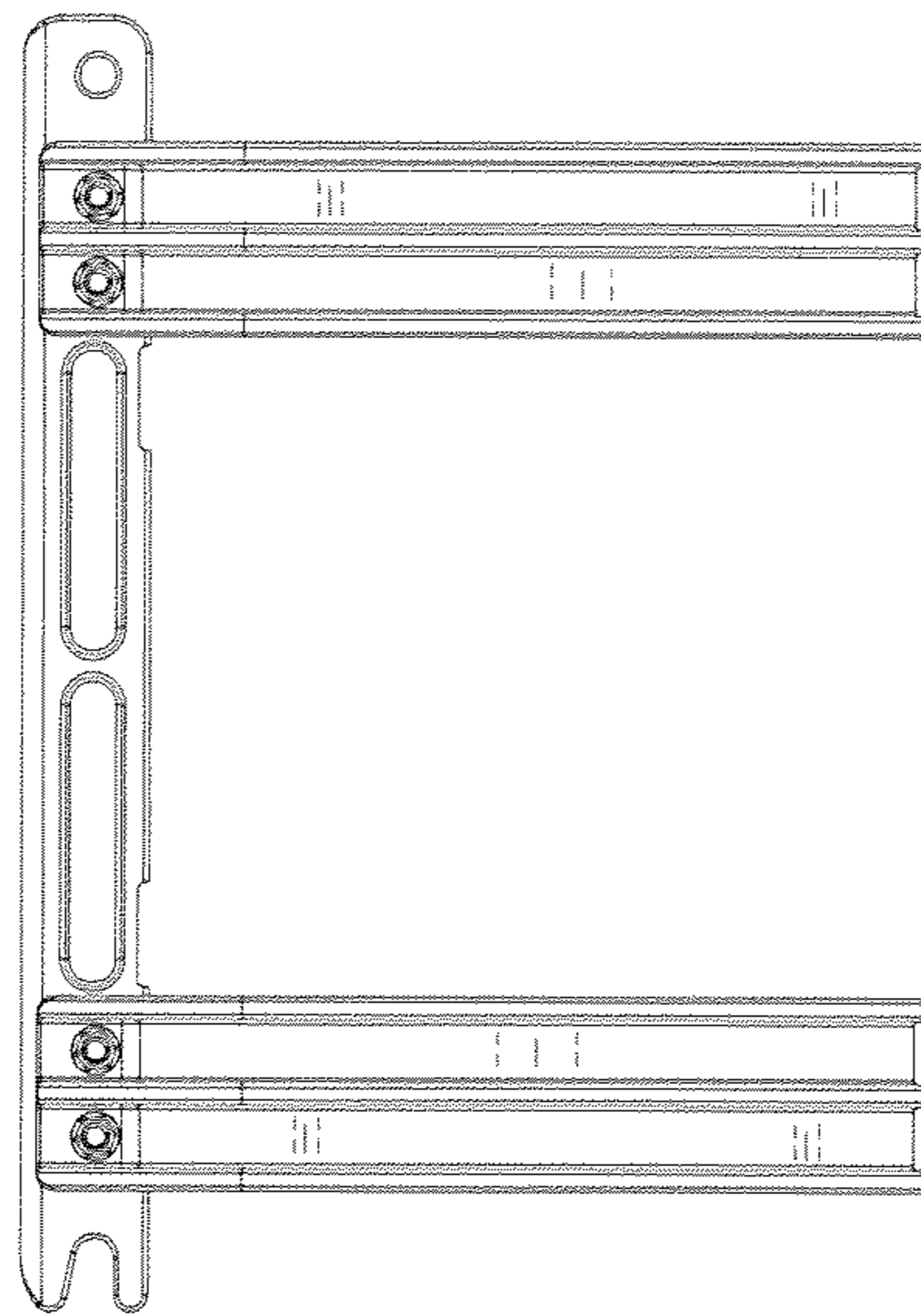


FIG. 18

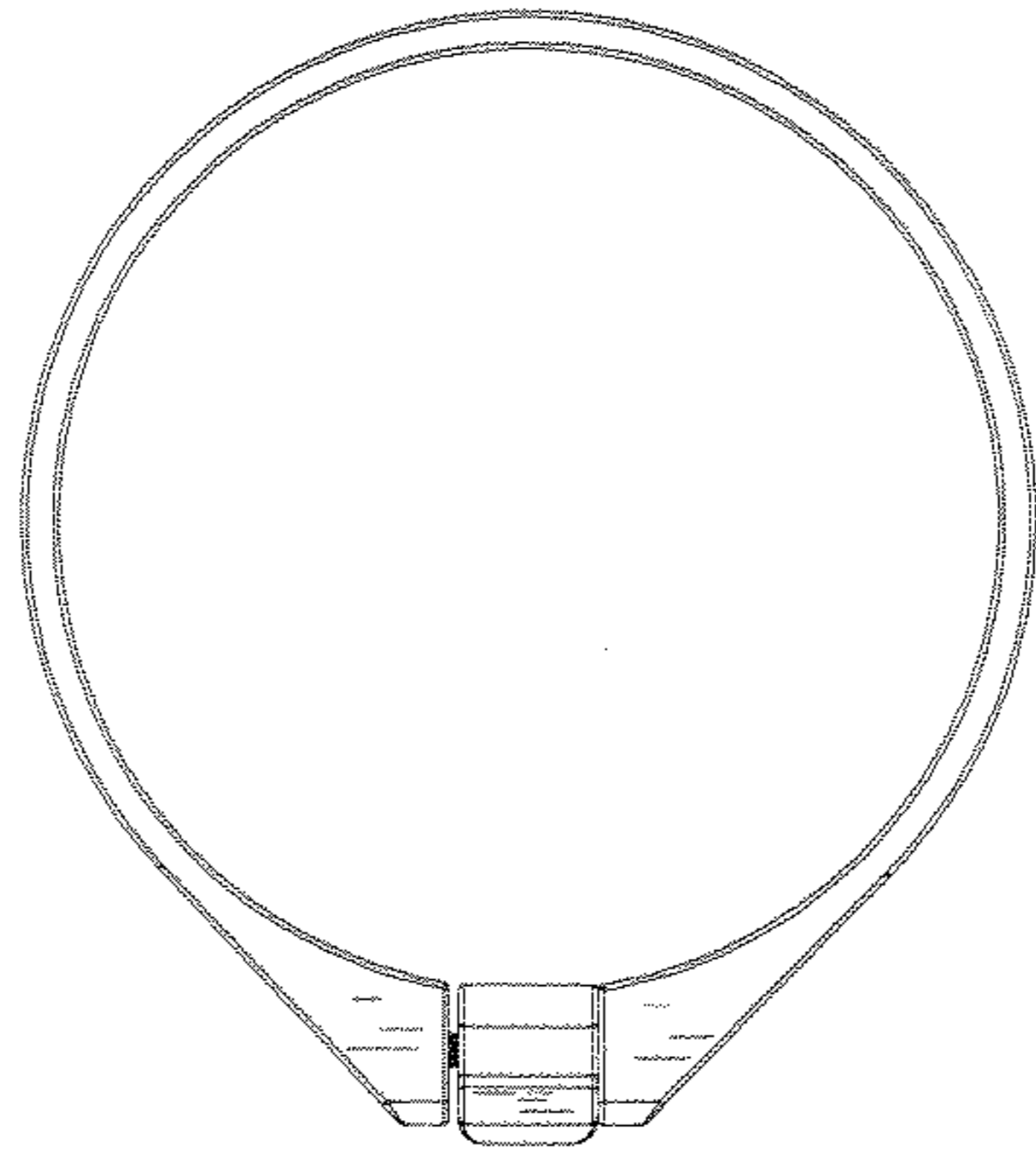


FIG. 19

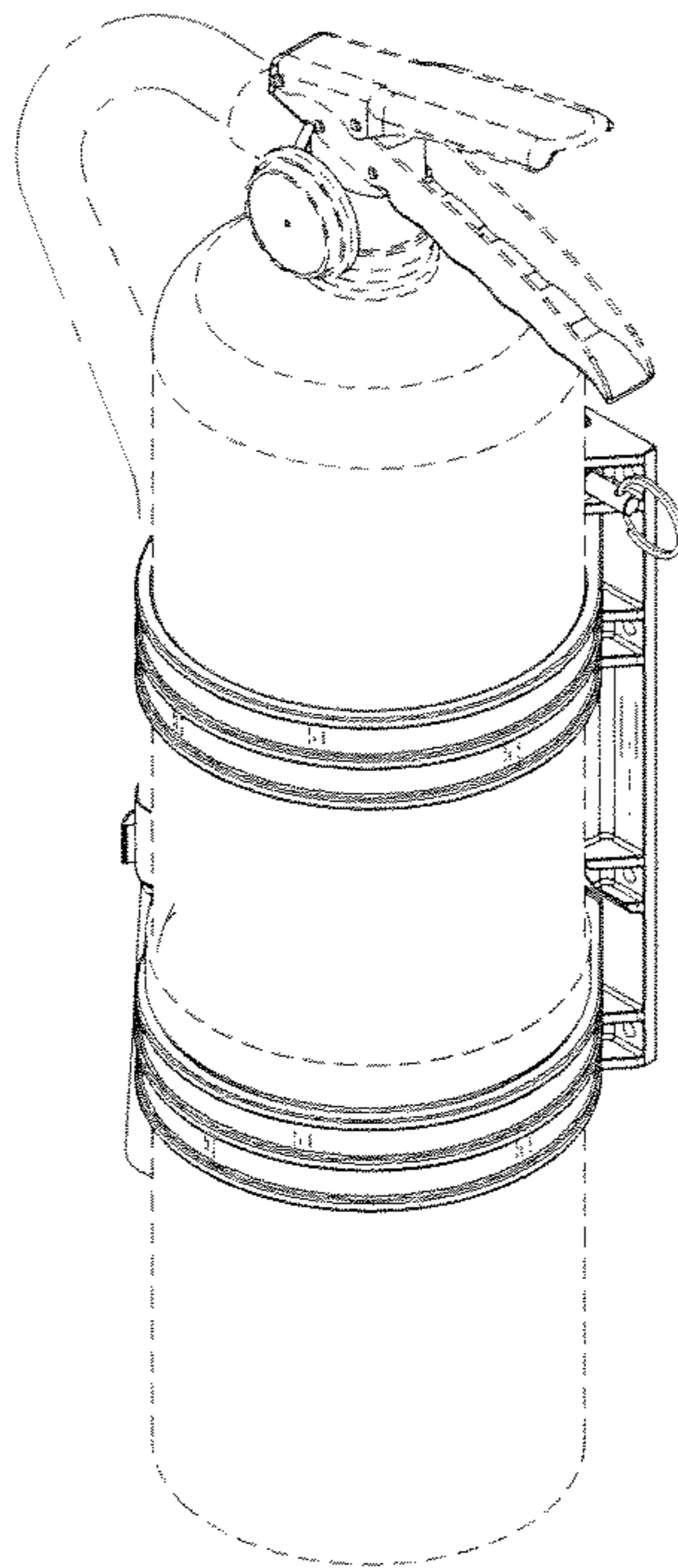


FIG. 20

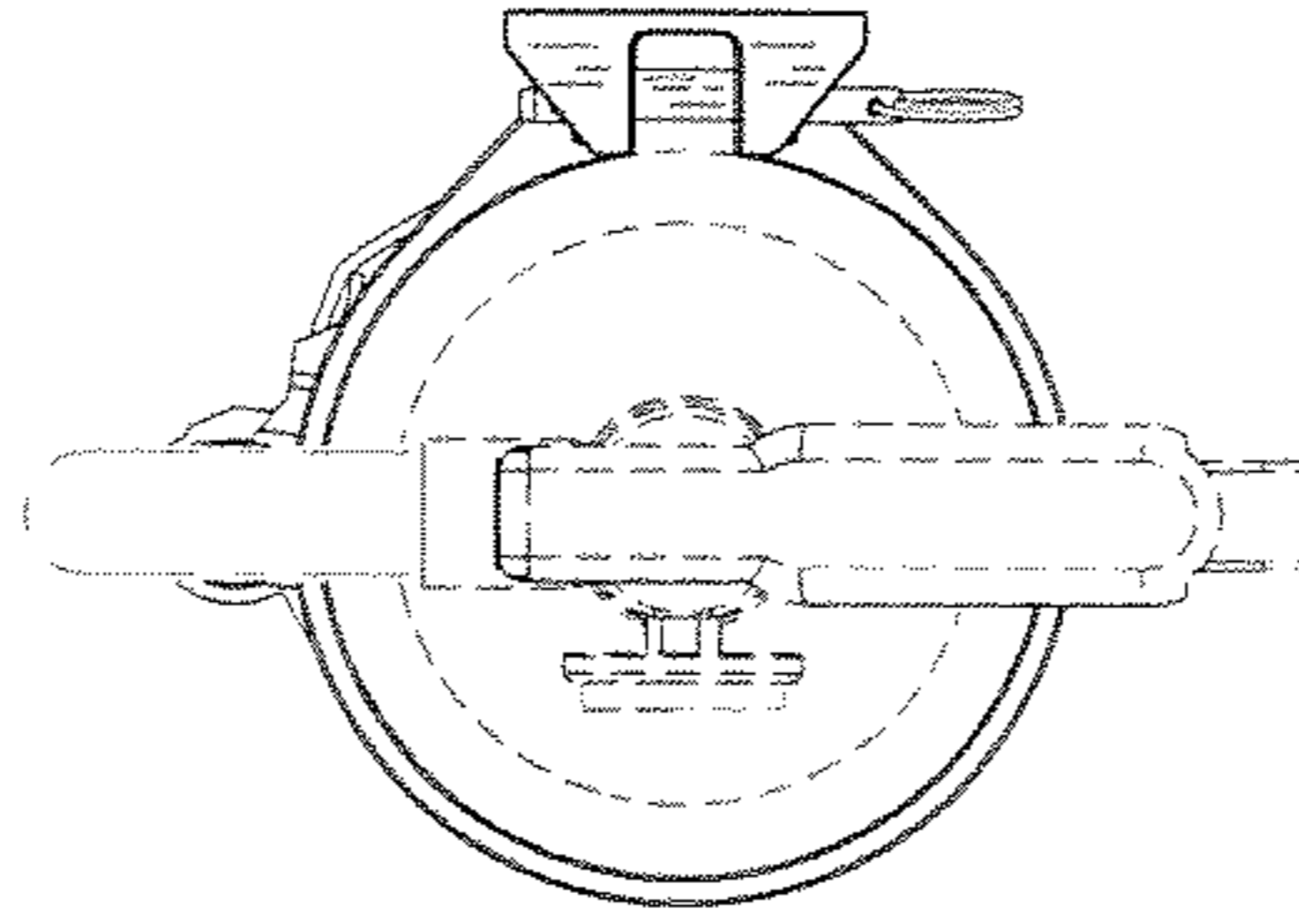


FIG. 21

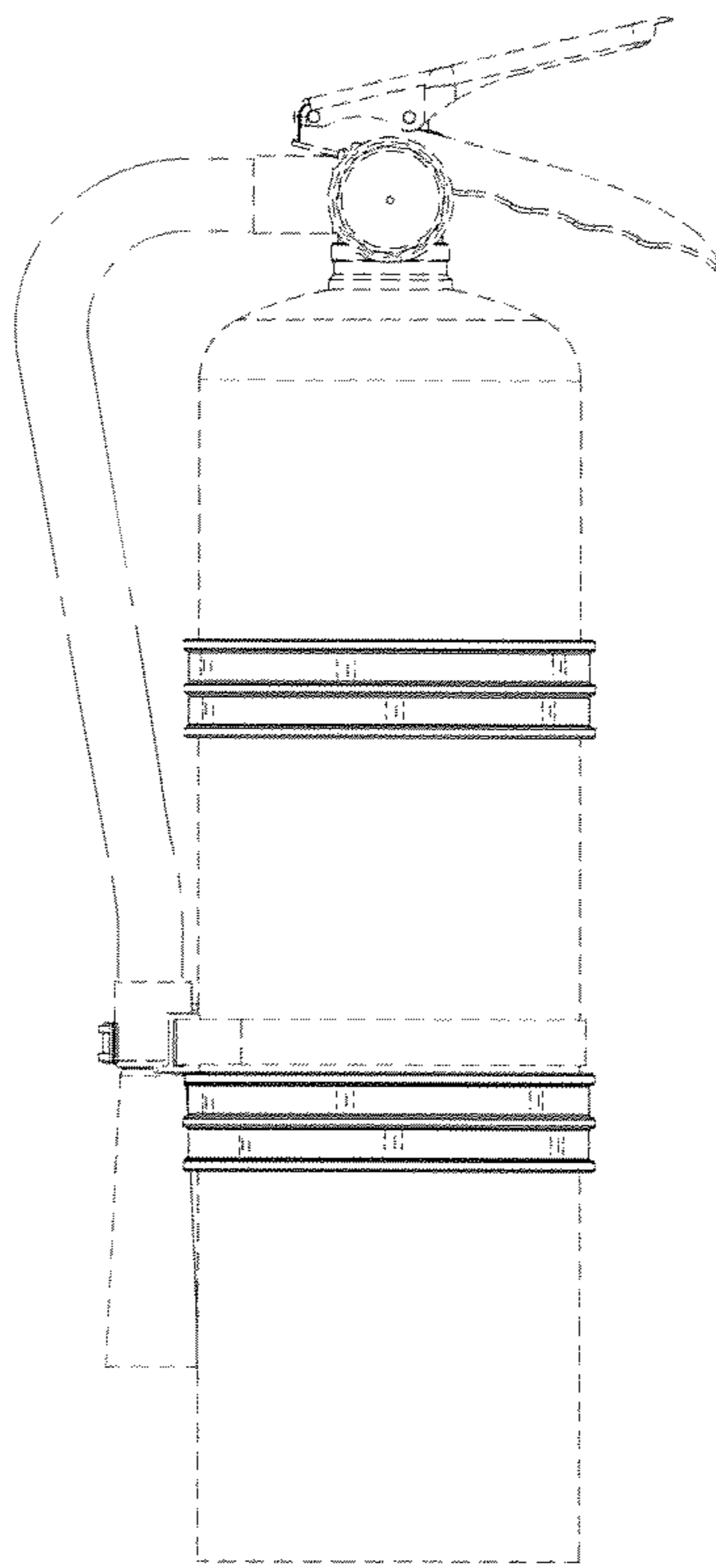


FIG. 22

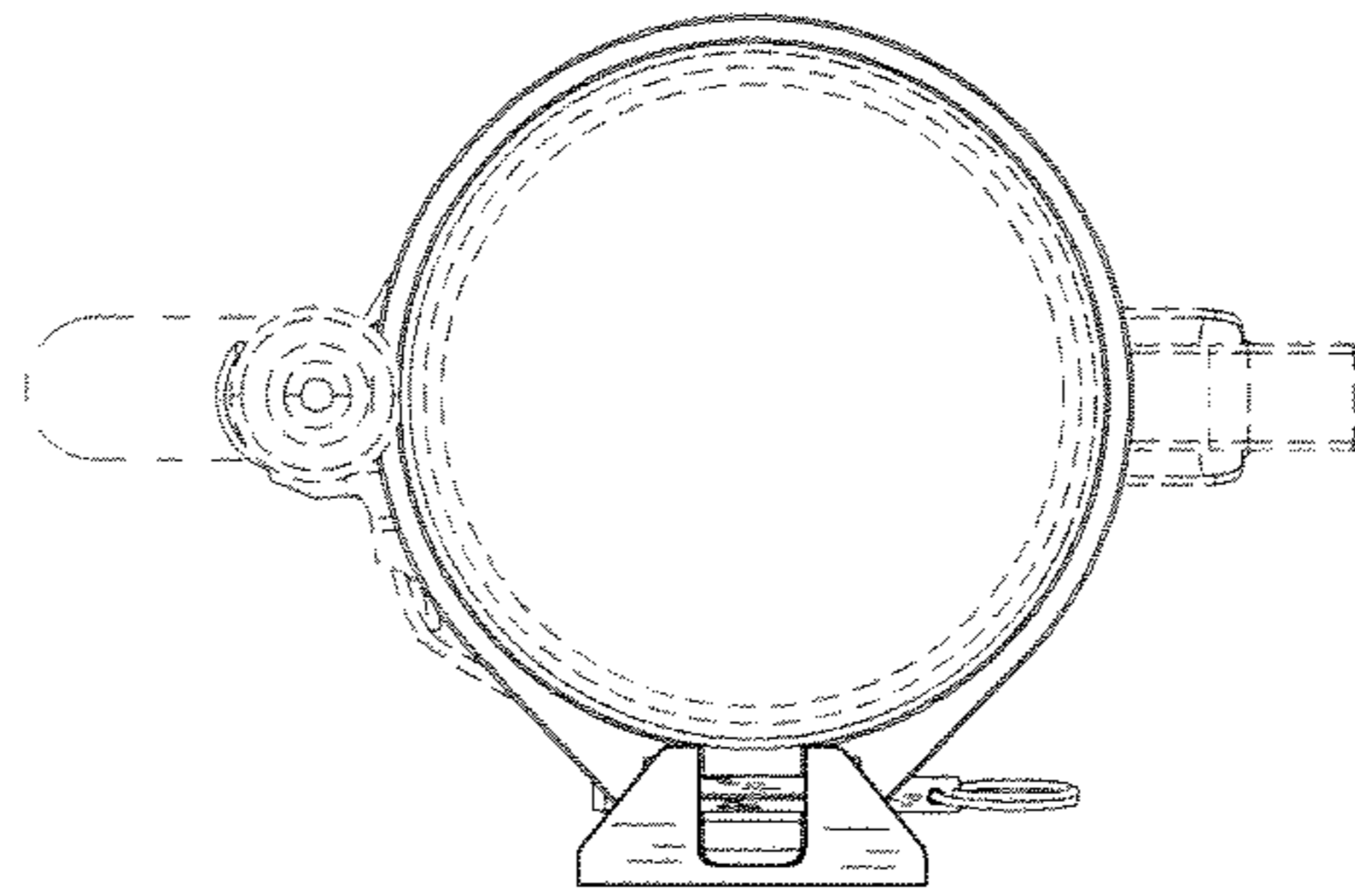


FIG. 23