



US00D704898S

(12) **United States Design Patent**
Kaal et al.

(10) **Patent No.:** **US D704,898 S**

(45) **Date of Patent:** **** May 13, 2014**

(54) **KNEE PROTECTOR**

(71) Applicants: **Fento B.V.**, Loosdrecht (NL); **Erpro B.V.**, Loosdrecht (NL)

(72) Inventors: **Gerardus Bernardus Kaal**, Loosdrecht (NL); **Rene Petrus Elbertus Van Rijn**, Loosdrecht (NL)

(73) Assignees: **Fento B.V.**, Loosdrecht (NL); **Erpro B.V.**, Loosdrecht (NL)

(**) Term: **14 Years**

(21) Appl. No.: **29/455,809**

(22) Filed: **May 24, 2013**

(30) **Foreign Application Priority Data**

Nov. 27, 2012 (EM) 002142976

(51) **LOC (10) Cl.** **29-02**

(52) **U.S. Cl.**
USPC **D29/121.1**

(58) **Field of Classification Search**
USPC D29/100, 120.1, 121.1, 121.2, 122;
D2/901, 909; D24/190; 2/16, 20-24,
2/62, 267, 455, 910, 911; 602/3, 5, 6, 16,
602/23, 26

See application file for complete search history.

(56) **References Cited**

U.S. PATENT DOCUMENTS

D354,590 S * 1/1995 Paikos et al. D29/100
D516,254 S * 2/2006 Shircliff D29/121.1
7,013,487 B2 * 3/2006 Beland 2/22
7,062,787 B1 * 6/2006 Shircliff 2/24
D656,278 S * 3/2012 Saranga D29/121.1

* cited by examiner

Primary Examiner — Randall Gholson

(74) *Attorney, Agent, or Firm* — The Webb Law Firm

(57) **CLAIM**

The ornamental design for a knee protector, as shown and described.

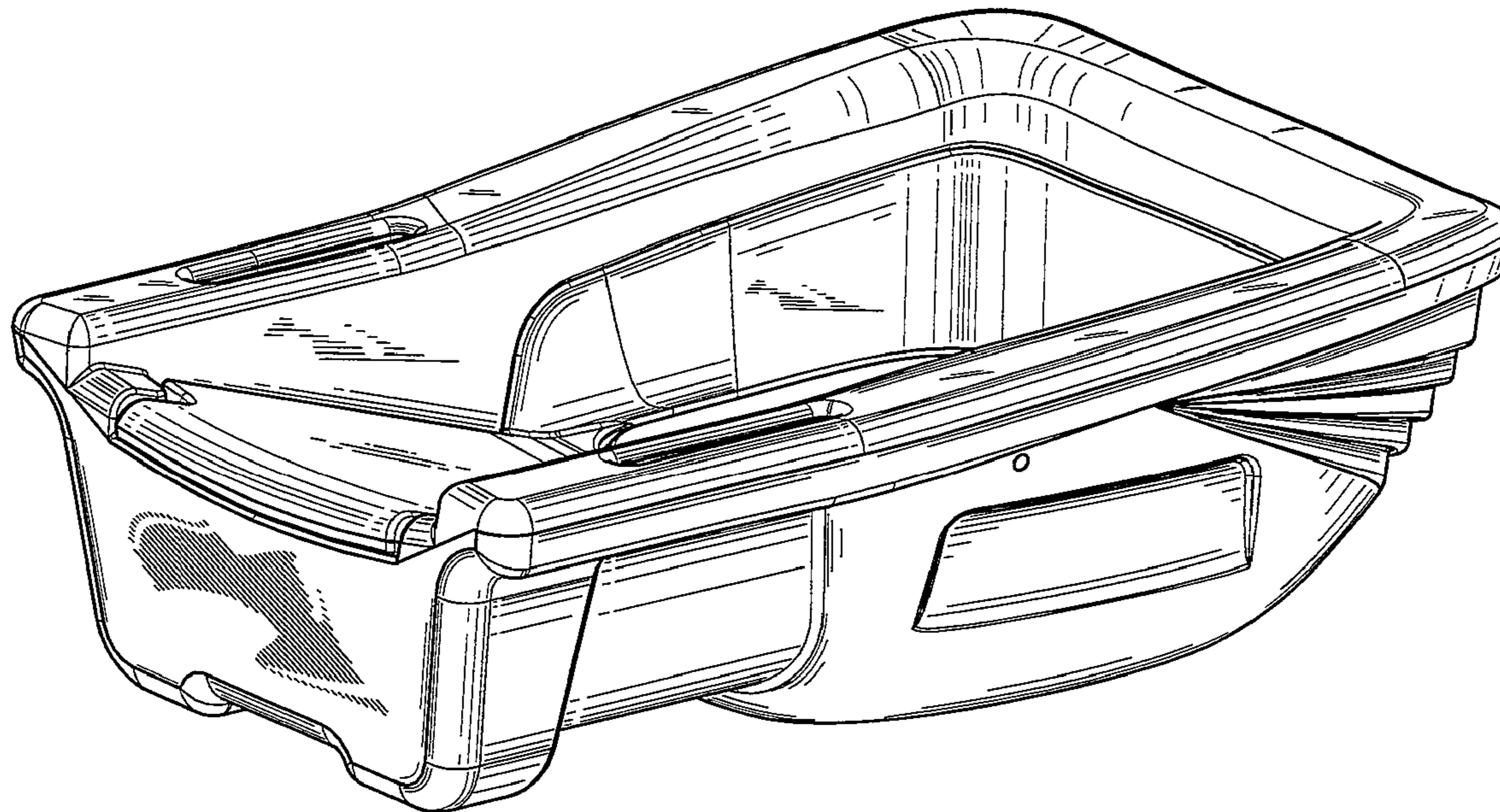
DESCRIPTION

FIG. 1 is a 1st perspective view thereof;
FIG. 2 is a 2nd perspective view thereof;
FIG. 3 is a left side view thereof;
FIG. 4 is a top view thereof;
FIG. 5 is a right side view thereof;
FIG. 6 is a front view thereof; and,
FIG. 7 is a rear view thereof.

The bottom view is omitted because it is plain and unornamental and forms no part of the claimed design.

The portions of the knee protector shown in broken lines form no part of the claimed design.

1 Claim, 7 Drawing Sheets



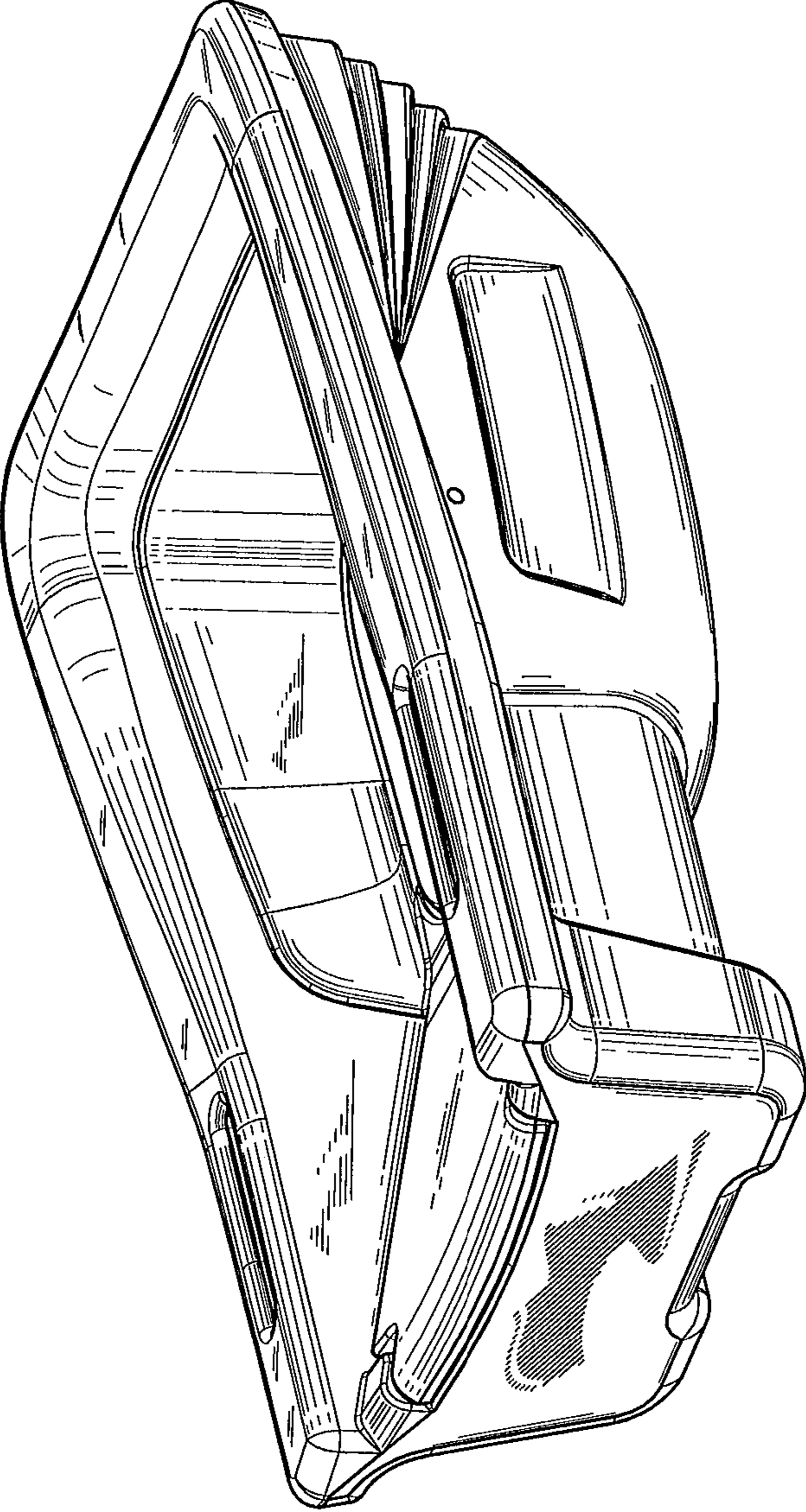


FIG. 1

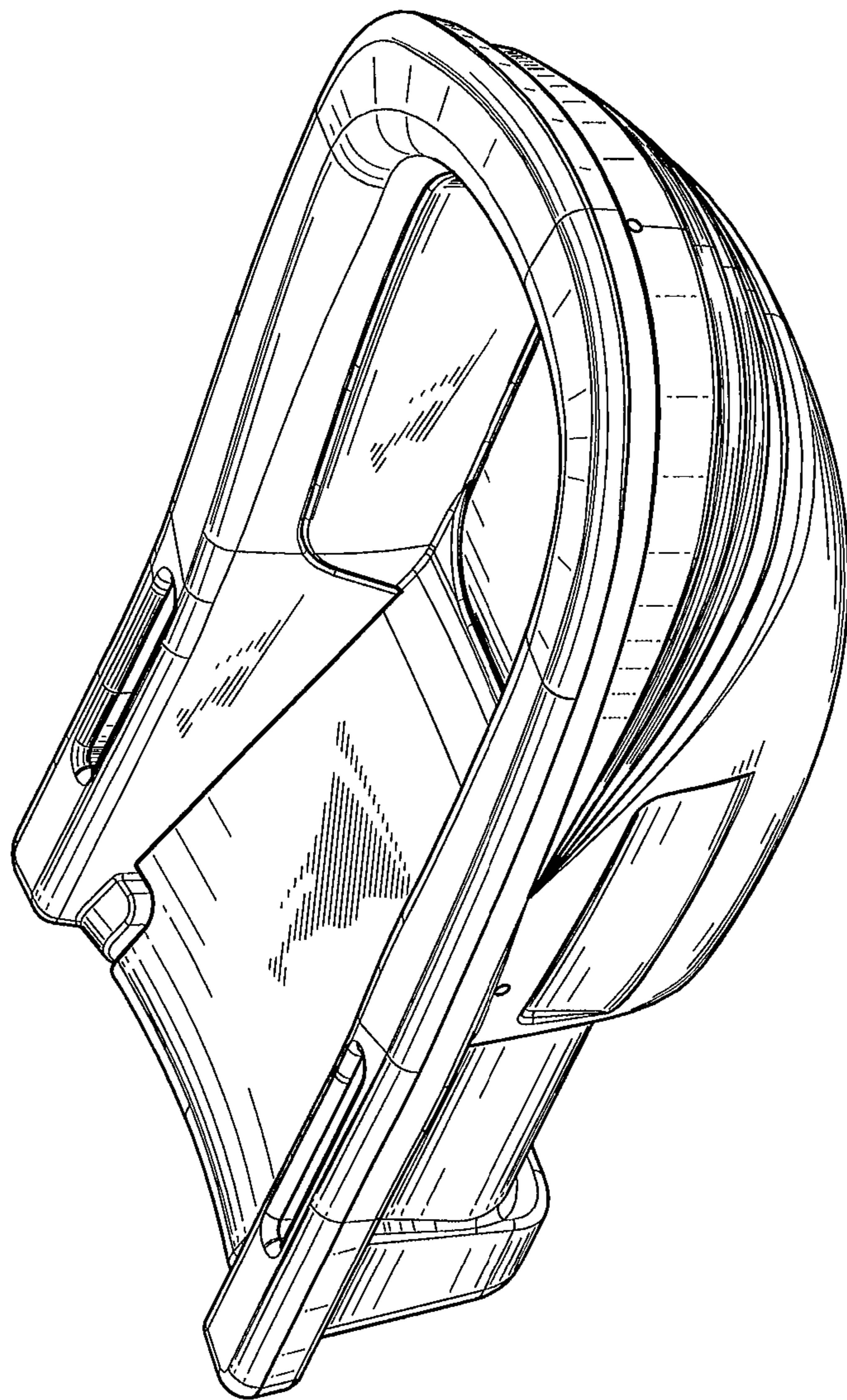


FIG. 2

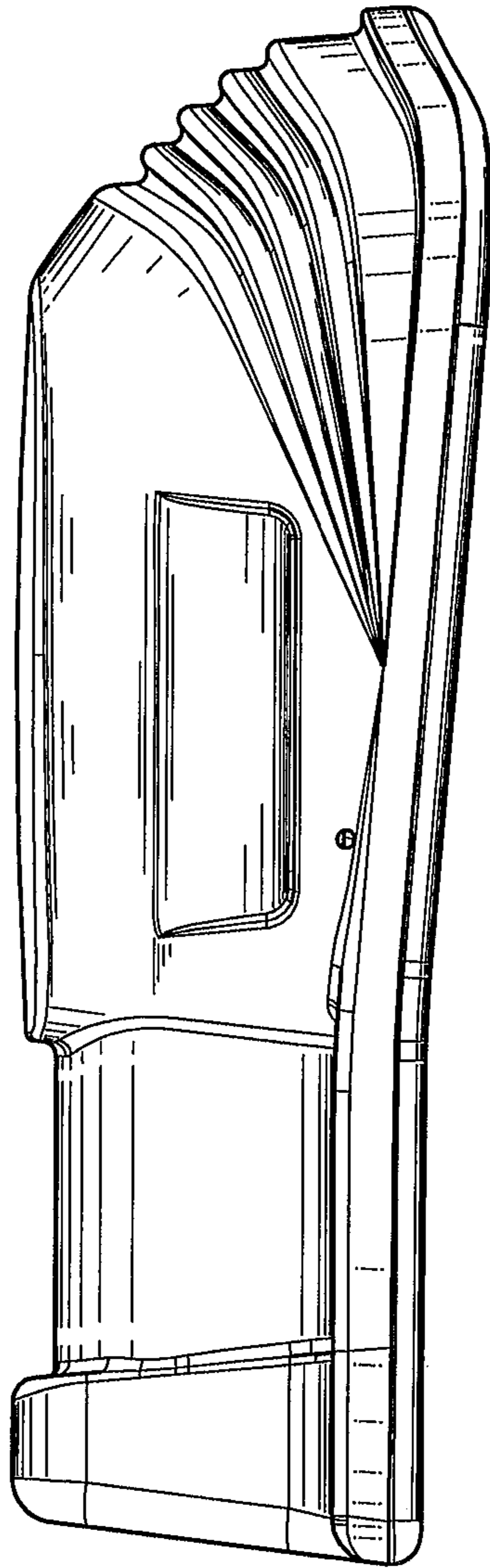


FIG. 3

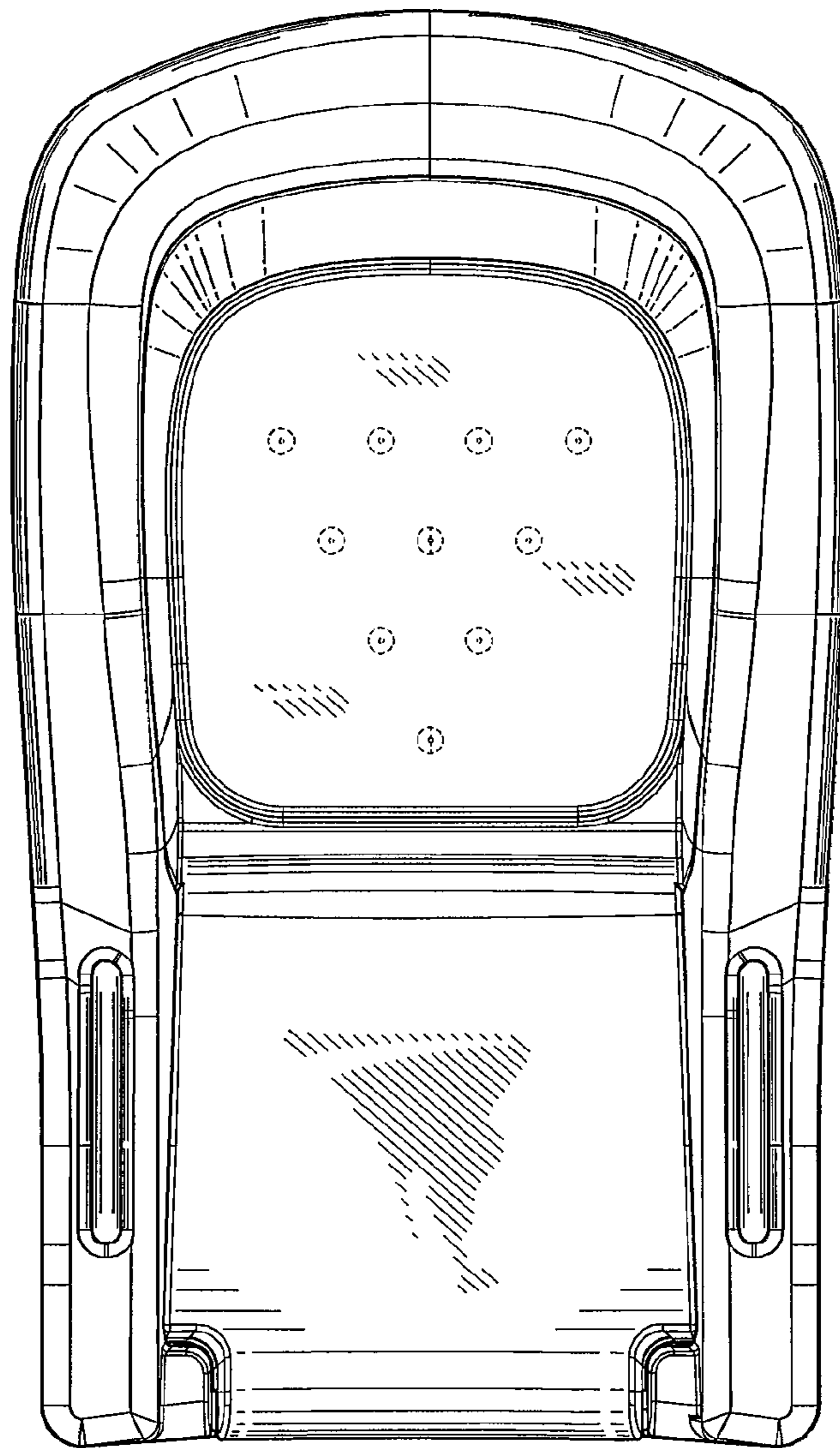


FIG. 4

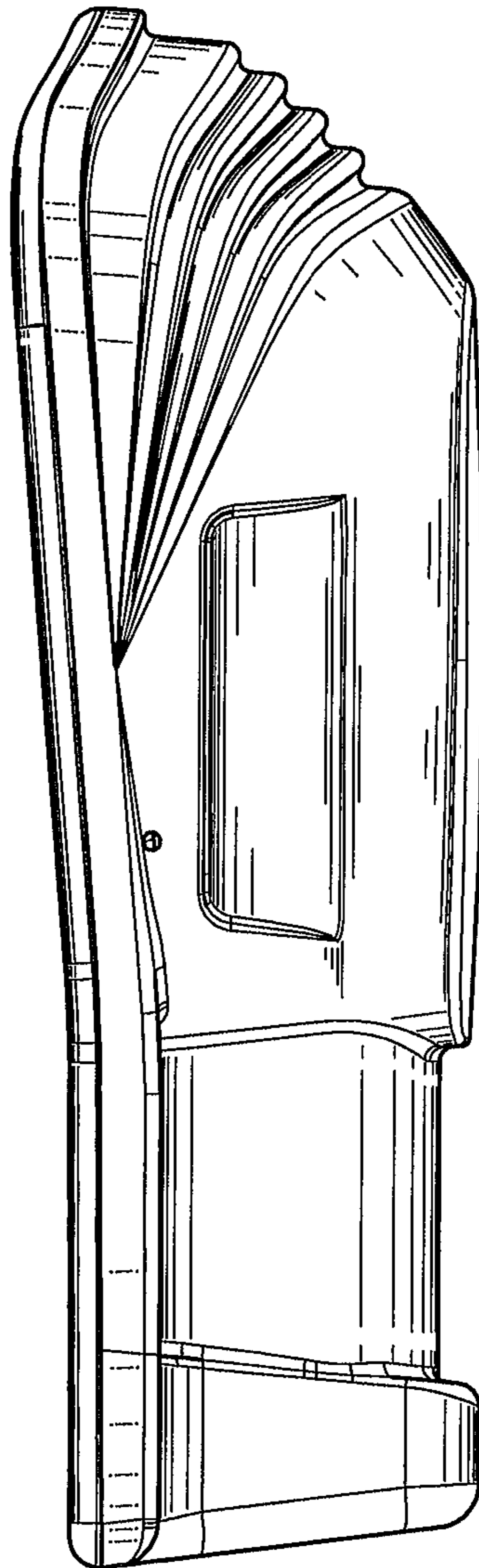


FIG. 5

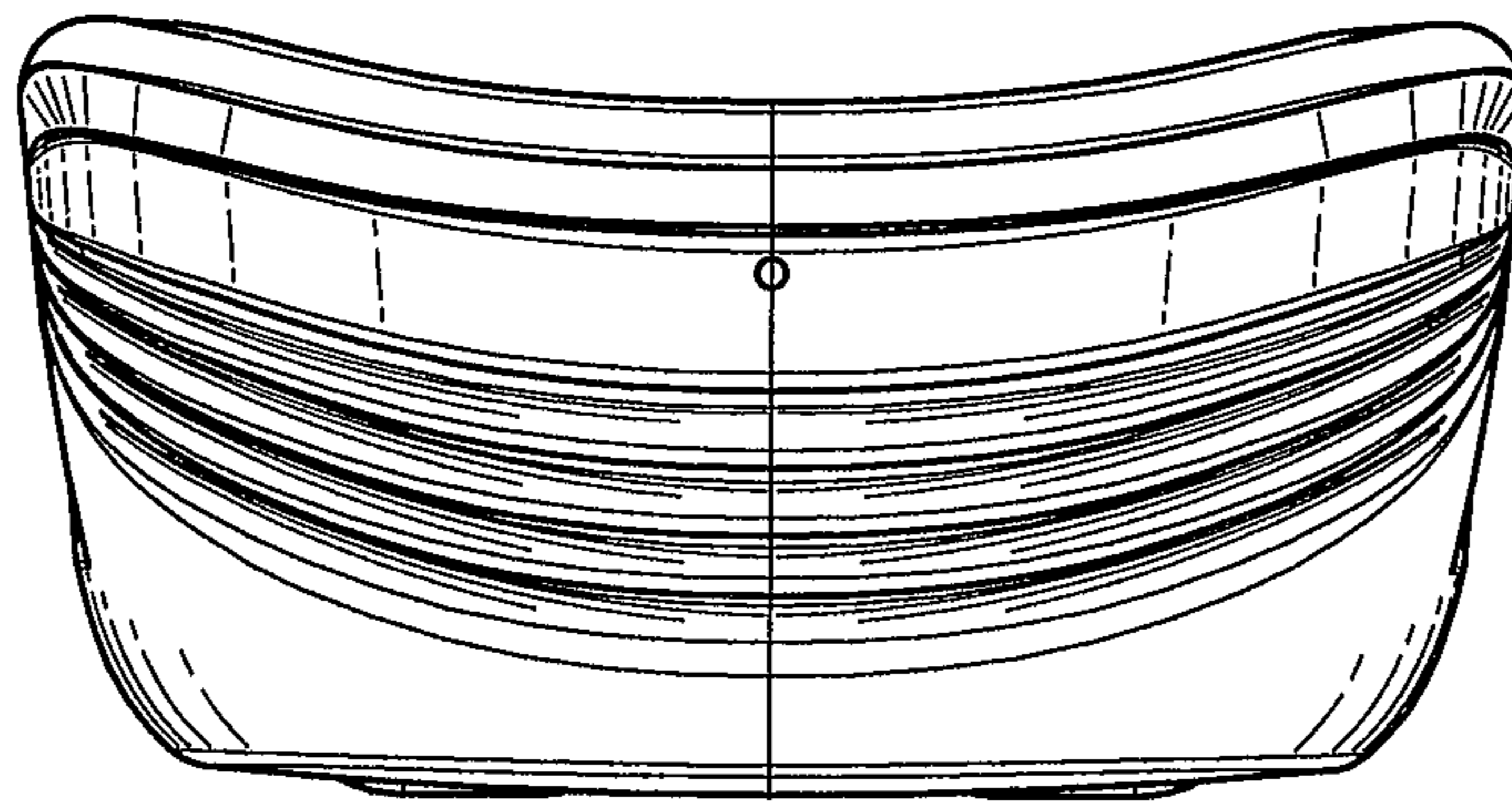


FIG. 6

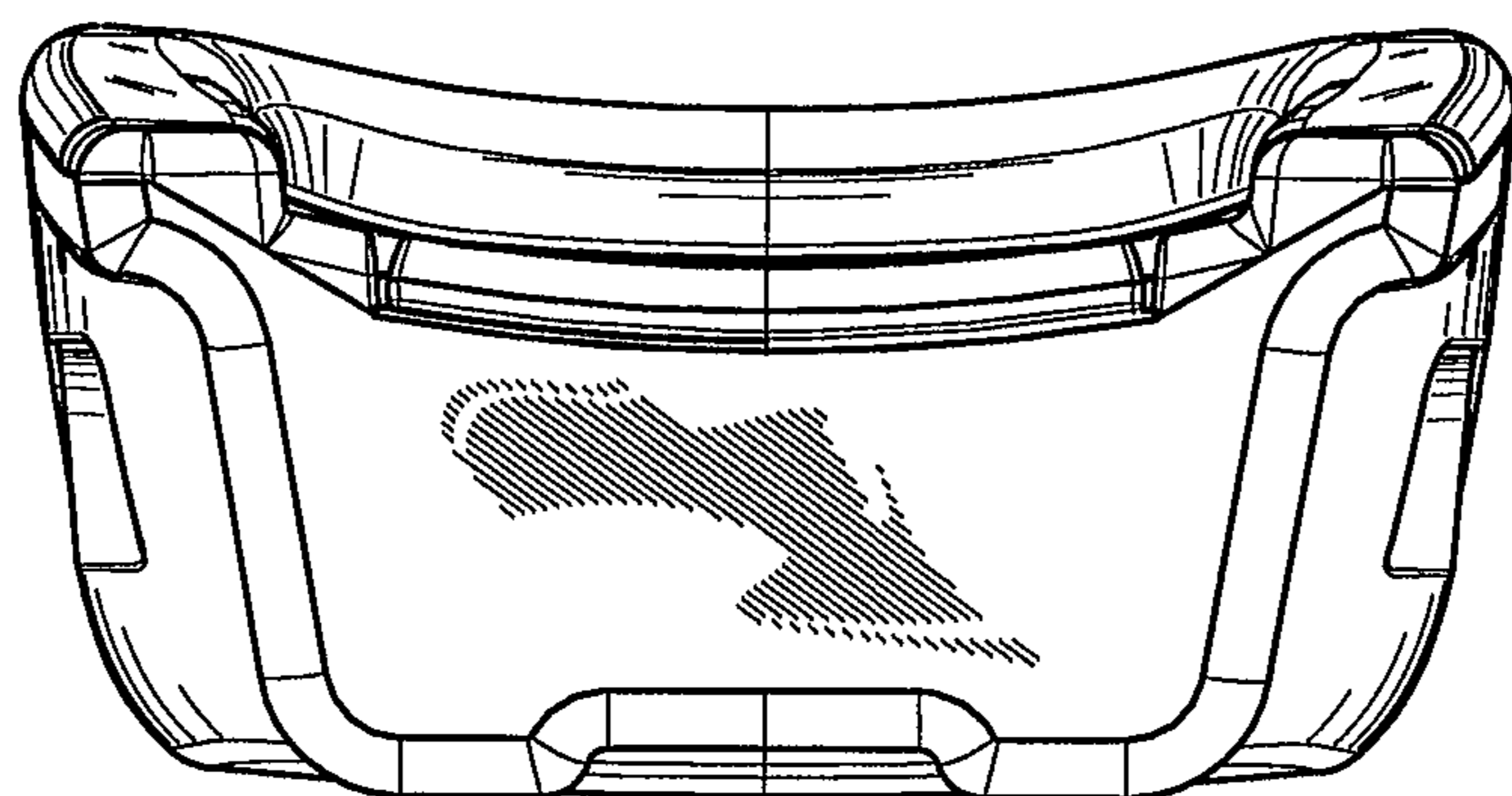


FIG. 7