



US00D704883S

(12) **United States Design Patent**
Chen

(10) **Patent No.:** **US D704,883 S**

(45) **Date of Patent:** **** May 13, 2014**

(54) **LIGHT FIXTURE**

(71) Applicant: **Chi Gon Chen**, Guang Zhou (CN)

(72) Inventor: **Chi Gon Chen**, Guang Zhou (CN)

(73) Assignee: **International Development LLC**,
Roanoke, TX (US)

(**) Term: **14 Years**

(21) Appl. No.: **29/441,765**

(22) Filed: **Jan. 9, 2013**

(51) **LOC (10) Cl.** **26-03**

(52) **U.S. Cl.**
USPC **D26/92**

(58) **Field of Classification Search**
USPC D26/72, 85, 87, 92, 118; 362/147,
362/249.02, 249.06, 294, 373, 432
See application file for complete search history.

(56) **References Cited**

U.S. PATENT DOCUMENTS

D54,630 S *	3/1920	Jimmerson	D26/87
4,595,971 A *	6/1986	Dean	362/345
D329,714 S *	9/1992	McIngvale et al.	D26/71
D400,280 S *	10/1998	Leen	D26/71
D418,620 S *	1/2000	Grossman	D26/71
D424,228 S *	5/2000	Grossman	D26/71
D424,229 S *	5/2000	Leen	D26/71

6,155,701 A *	12/2000	Leen	362/432
7,152,992 B1 *	12/2006	Monroe et al.	362/147
D570,034 S *	5/2008	Westerheide	D26/118
D586,498 S *	2/2009	Wu et al.	D26/118
D586,946 S *	2/2009	Huang	D26/118
D652,565 S *	1/2012	McKenna et al.	D26/118
D663,064 S *	7/2012	Couvreur et al.	D26/72
D687,585 S *	8/2013	Kim et al.	D26/72
D690,453 S *	9/2013	Guercio et al.	D26/88
8,591,061 B2 *	11/2013	Hyun et al.	362/249.02

* cited by examiner

Primary Examiner — Clare E Heflin

(74) *Attorney, Agent, or Firm* — Brian Harris

(57) **CLAIM**

The ornamental design for a light fixture, as shown and described.

DESCRIPTION

FIG. 1 is a front perspective view of a light fixture showing my new design;

FIG. 2 is a front view thereof;

FIG. 3 is a back view thereof;

FIG. 4 is a right side view thereof;

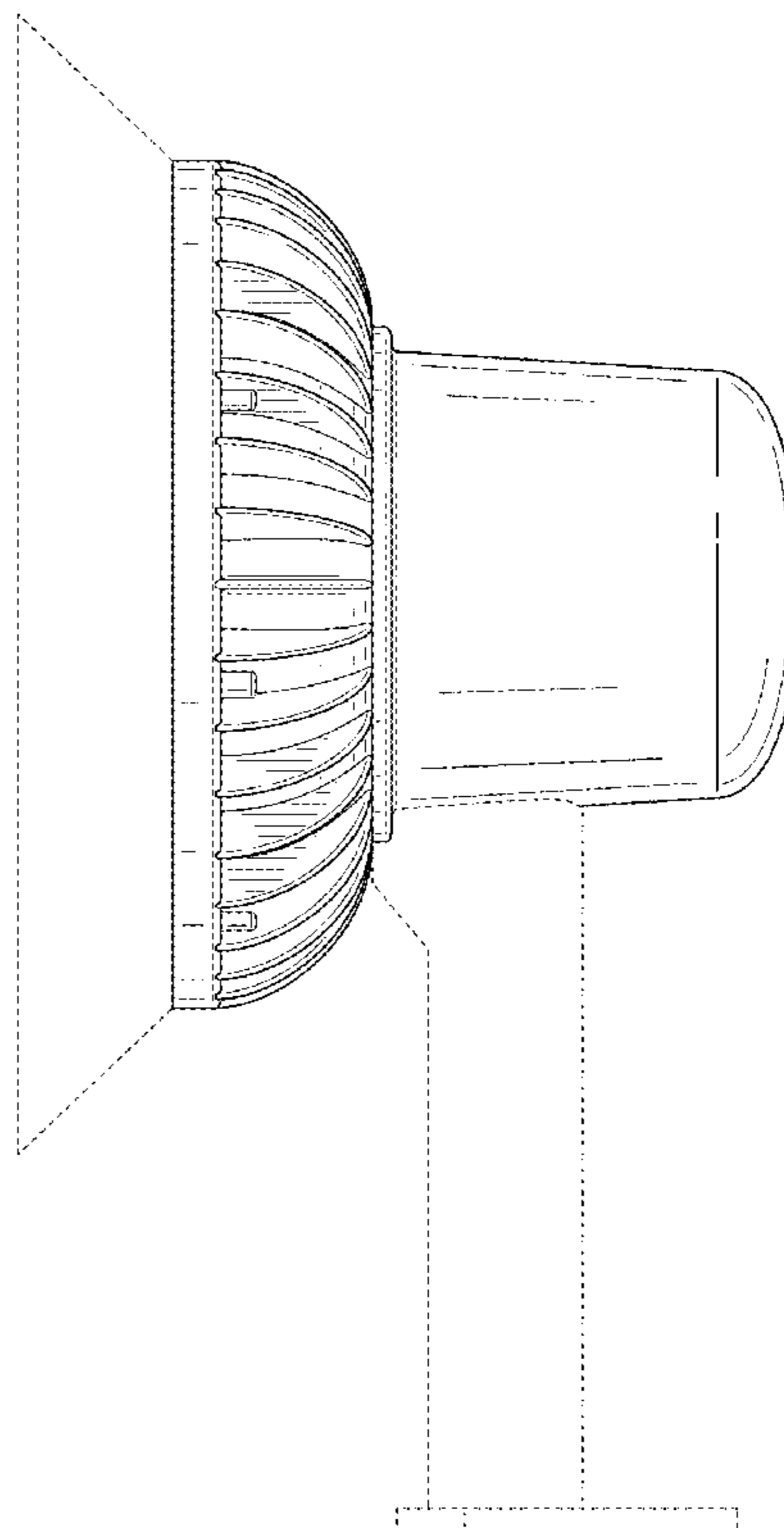
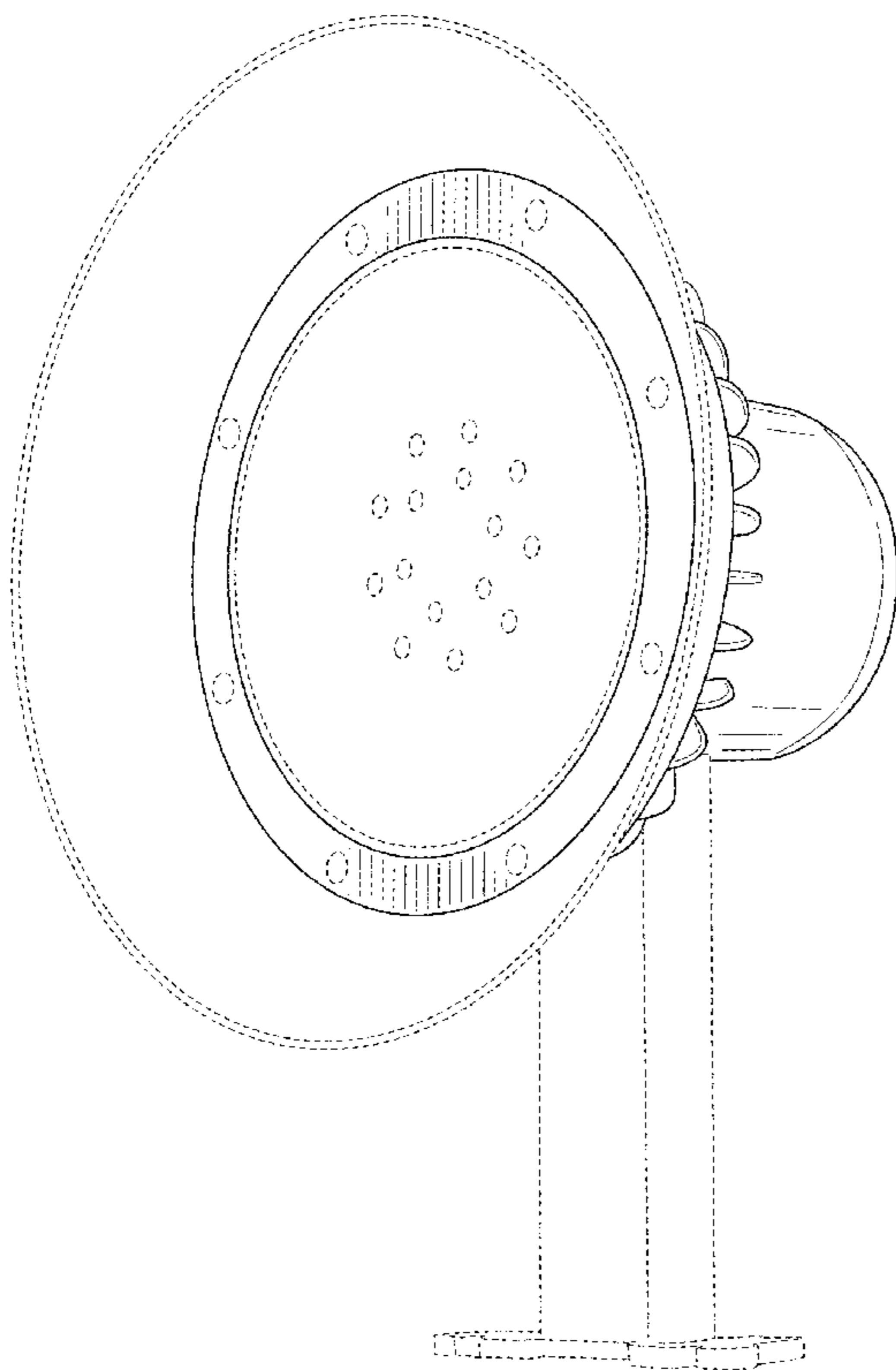
FIG. 5 is a left side view thereof;

FIG. 6 is a top view thereof; and,

FIG. 7 is a bottom view thereof.

The broken lines shown in the Figures form no part of the claimed design.

1 Claim, 7 Drawing Sheets



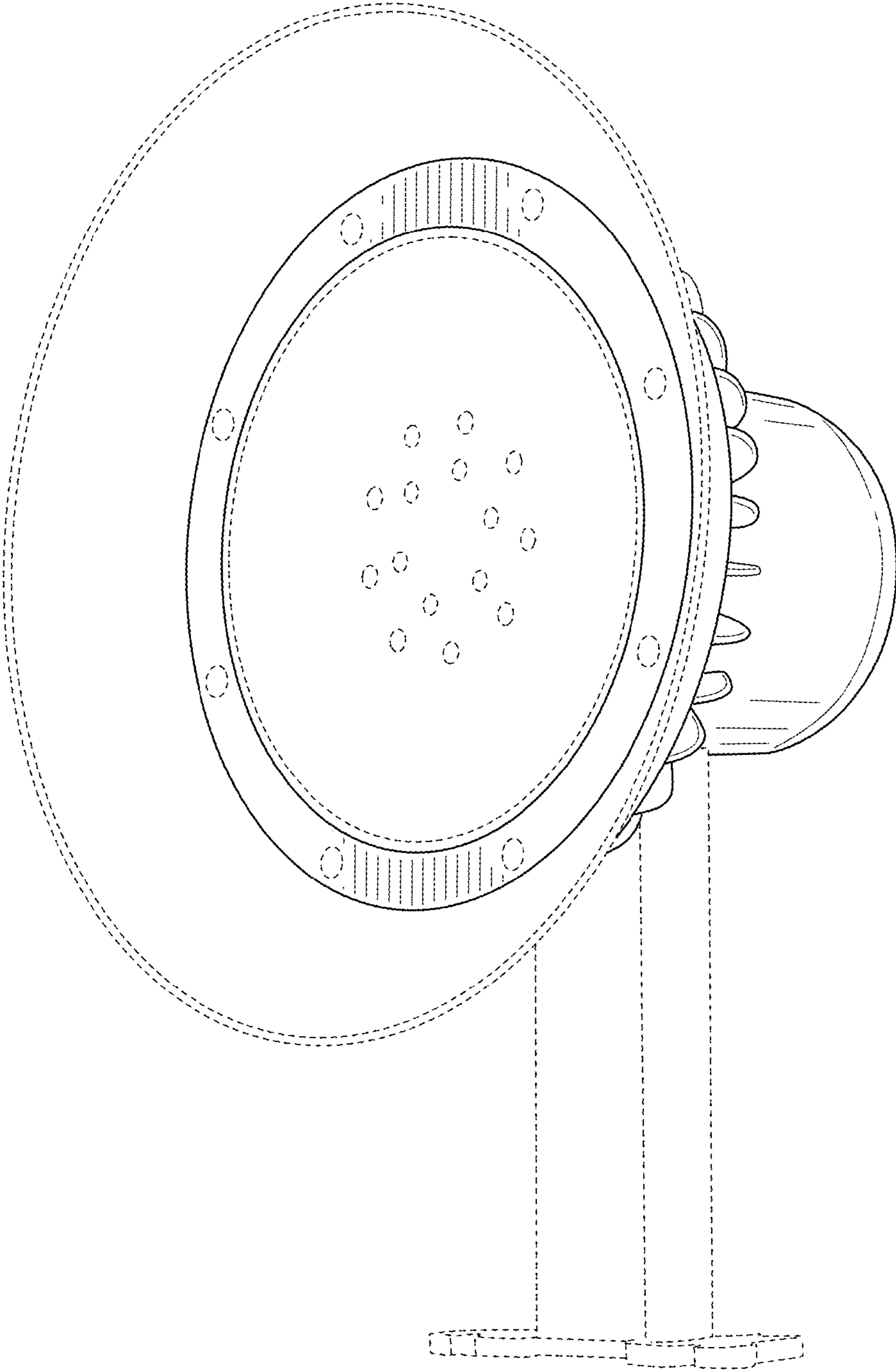


FIG. 1

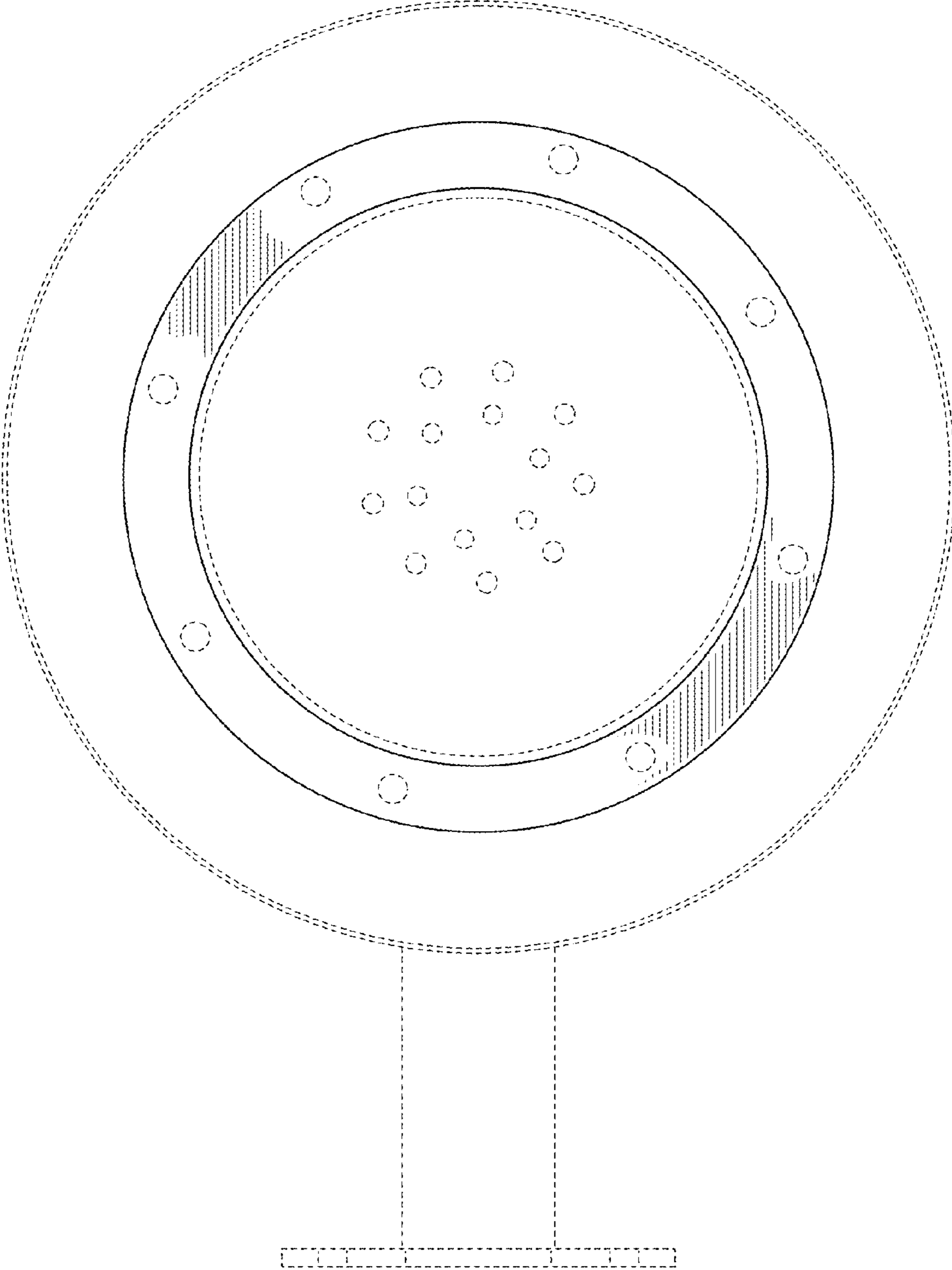


FIG. 2

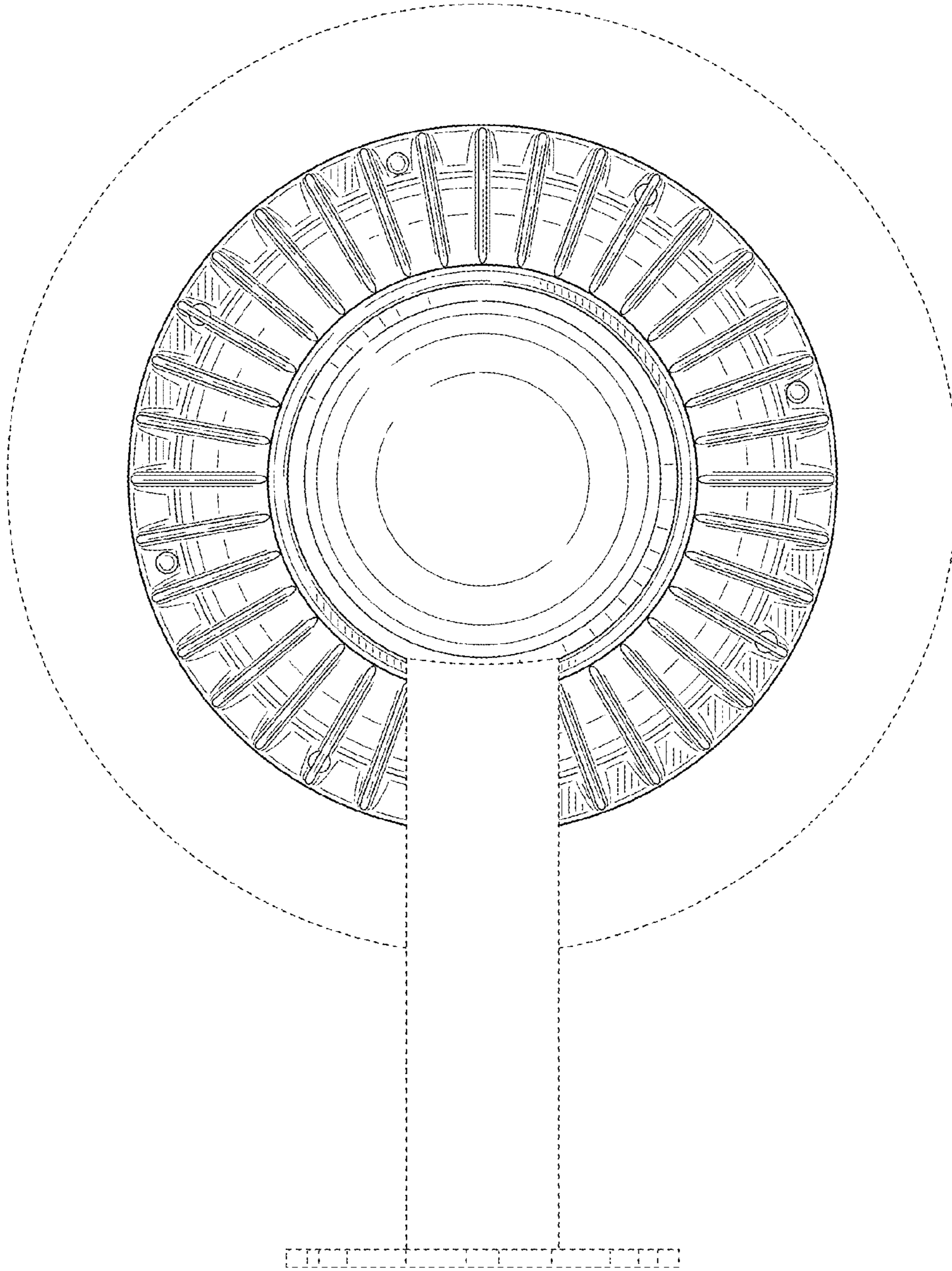


FIG. 3

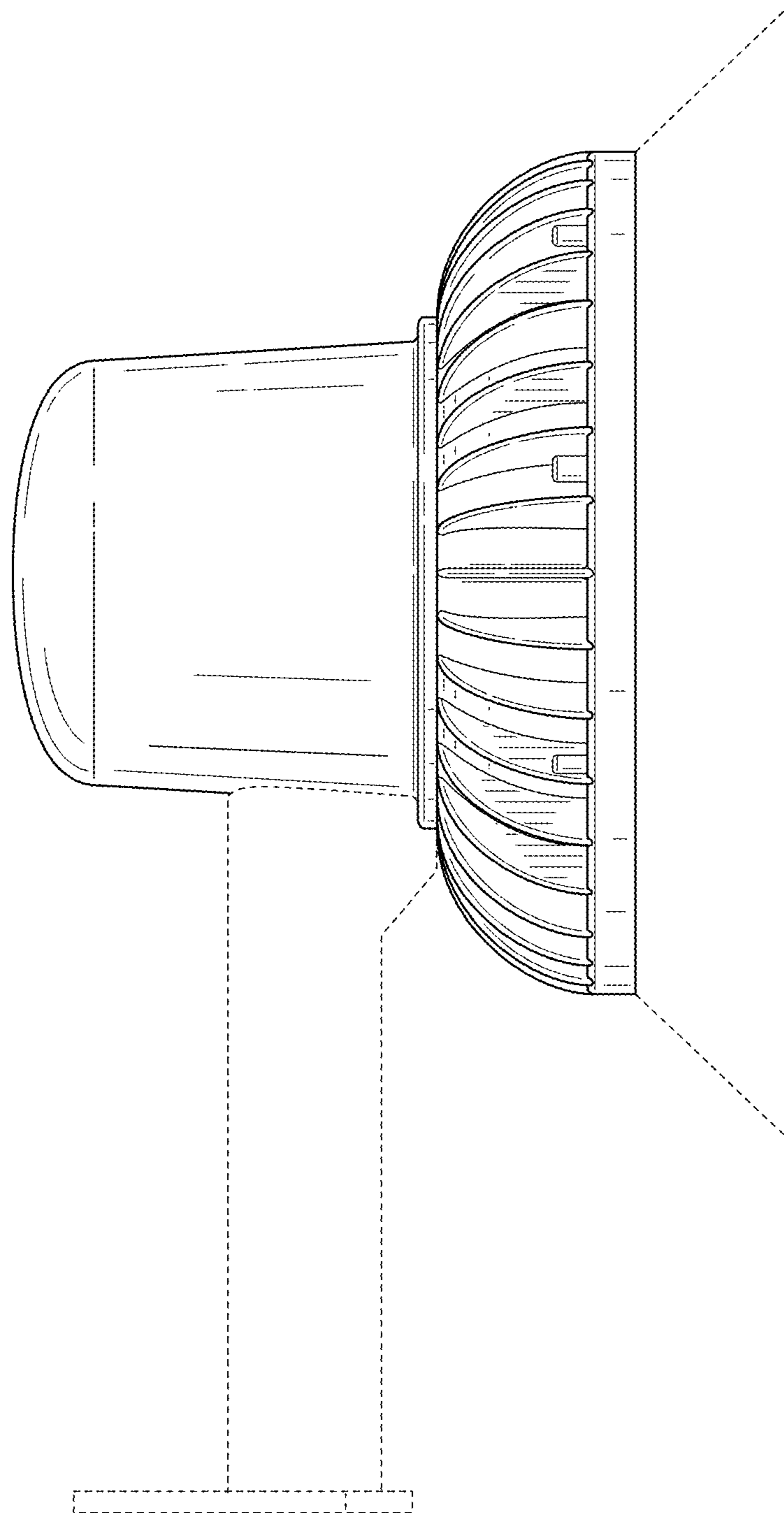


FIG. 4

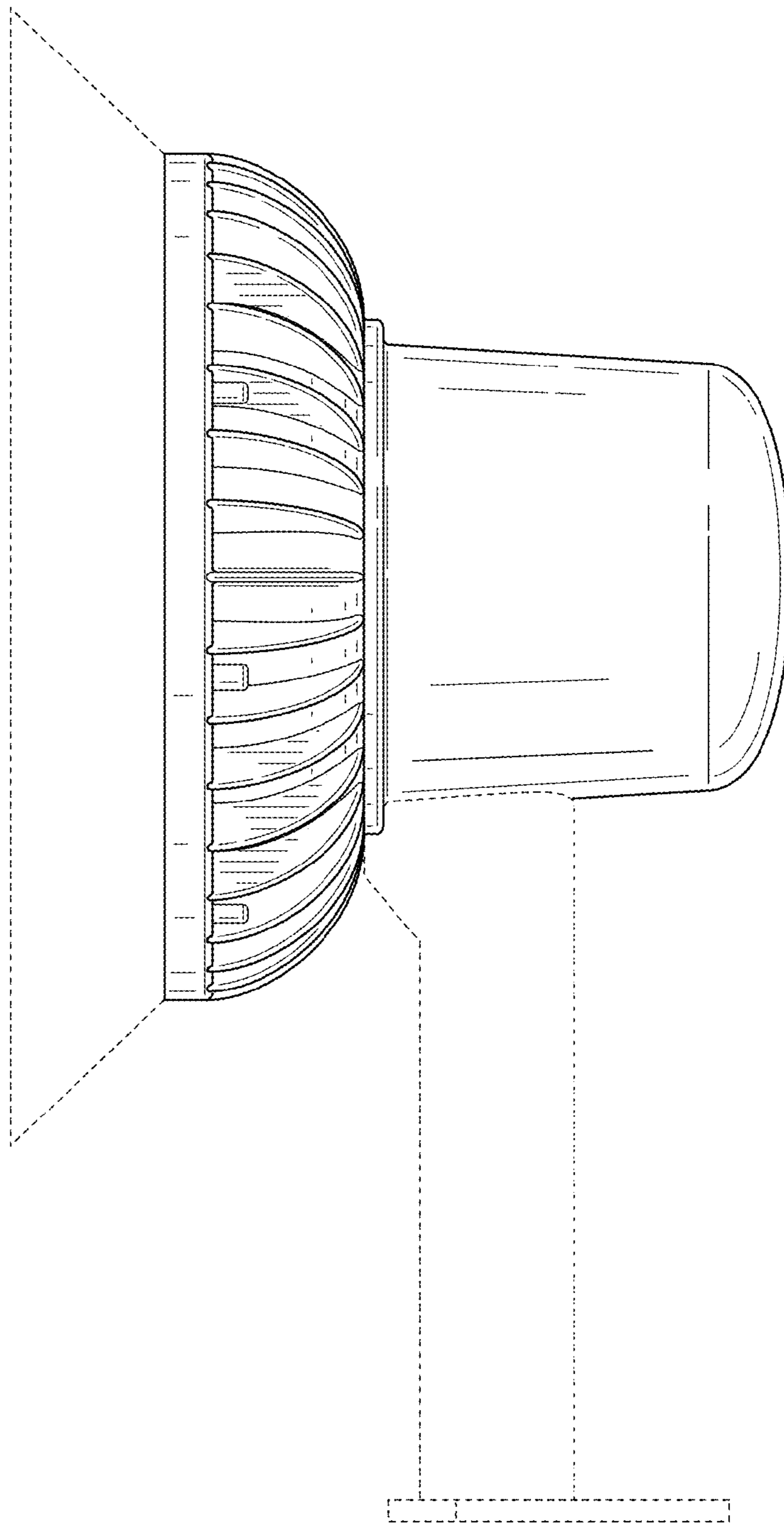


FIG. 5

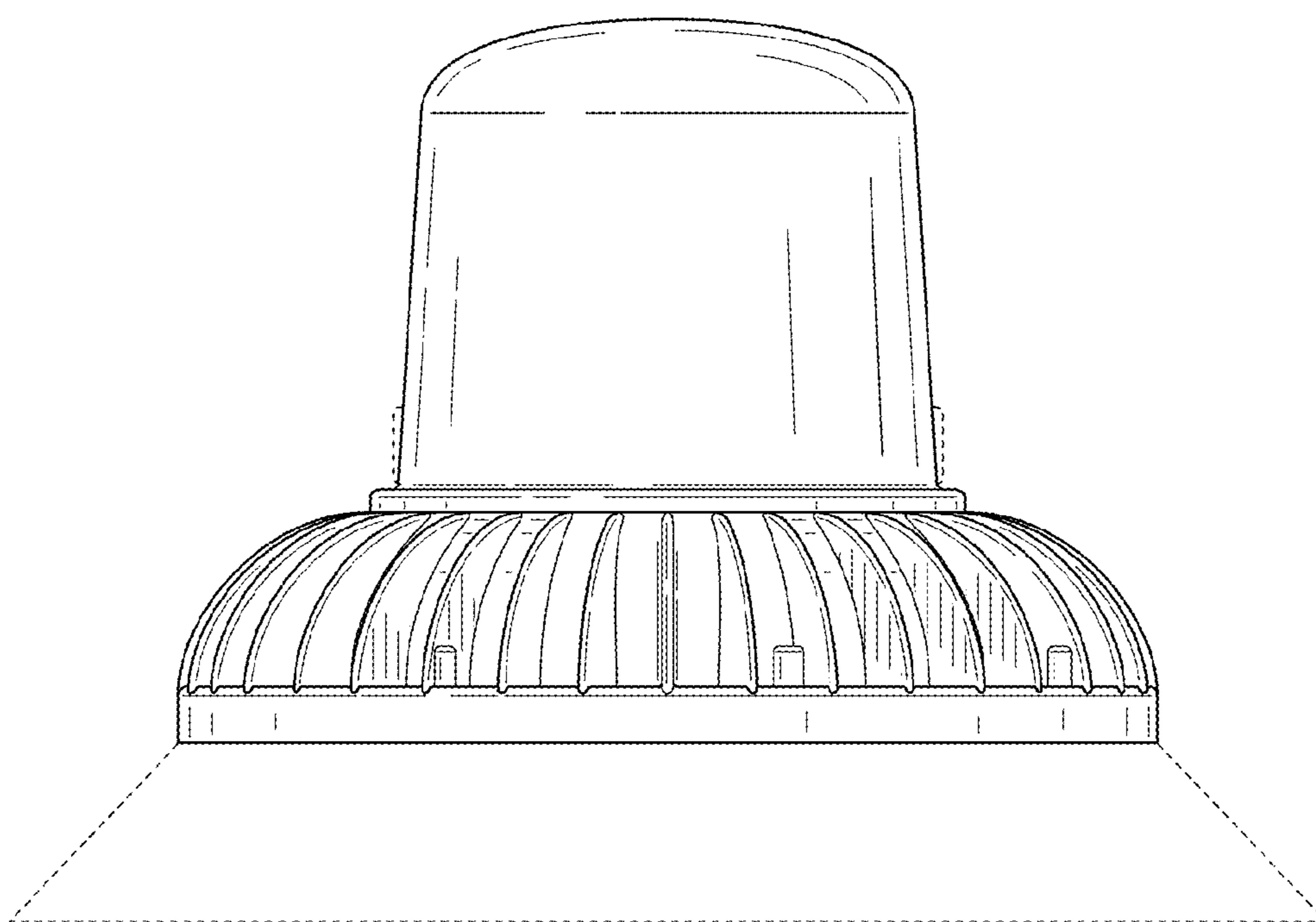


FIG. 6

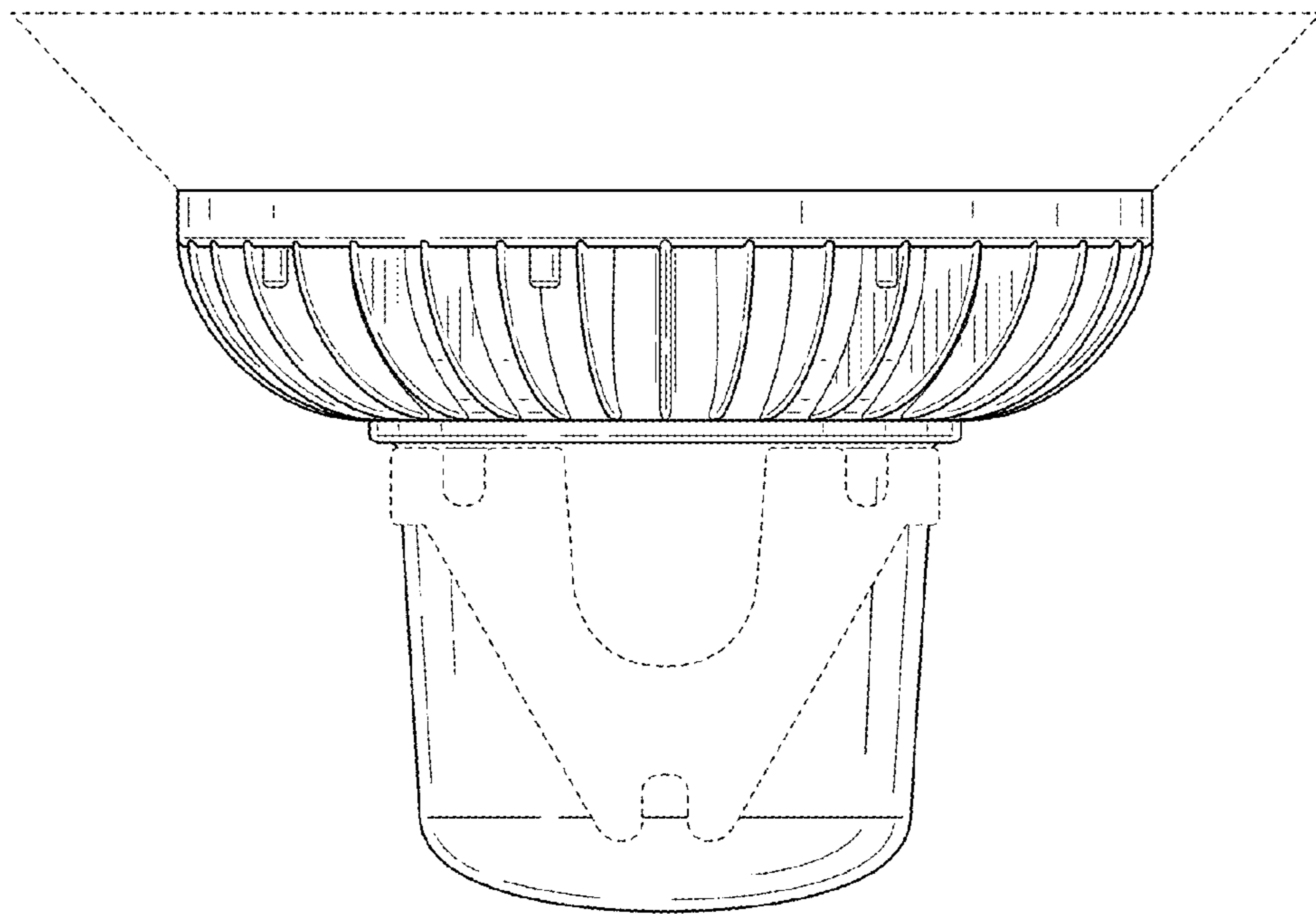


FIG. 7