



US00D704878S

(12) **United States Design Patent**
Wilson et al.

(10) **Patent No.:** **US D704,878 S**

(45) **Date of Patent:** **** May 13, 2014**

(54) **INDIRECT LUMINAIRE**

(71) Applicant: **GE Lighting Solutions, LLC**, East
Cleveland, OH (US)

(72) Inventors: **Christopher Henry Wilson**, Lachine
(CA); **Steve Germain**, L'Île-Perrot
(CA); **Philippe Luu**, Lachine (CA)

(73) Assignee: **GE Lighting Solutions, LLC**, East
Cleveland, OH (US)

(**) Term: **14 Years**

(21) Appl. No.: **29/452,698**

(22) Filed: **Apr. 19, 2013**

(51) **LOC (10) Cl.** **26-03**

(52) **U.S. Cl.**
USPC **D26/76**

(58) **Field of Classification Search**
USPC D26/72, 75-78, 118, 120, 122;
362/147, 217.01-217.12, 218,
362/221-225, 345

See application file for complete search history.

(56) **References Cited**

U.S. PATENT DOCUMENTS

908,838	A *	1/1909	Brown	362/322
1,746,024	A *	2/1930	Brandt, Sr.	362/84
D127,475	S *	5/1941	House	D26/78
D159,426	S *	7/1950	Lepore	D26/76
D168,812	S *	2/1953	Ulrick	D26/67
D364,478	S *	11/1995	Pesau	D26/76
5,521,801	A *	5/1996	Pesau et al.	362/147
D430,688	S *	9/2000	Plunk	D26/76
D459,014	S *	6/2002	Chen	D26/85
D464,161	S *	10/2002	Nourishad	D26/78
D511,221	S *	11/2005	Zucker	D26/76
7,156,540	B2 *	1/2007	Haines	362/217.07
D597,242	S *	7/2009	Purcell	D26/76

D604,001	S *	11/2009	Thun	D26/76
D610,736	S *	2/2010	Klaus	D26/76
D616,138	S *	5/2010	Lasthein et al.	D26/76
D621,086	S *	8/2010	Purcell	D26/76

OTHER PUBLICATIONS

“Cree HiLowBay CS14 SpecSheet”, dated Apr. 2, 2013, found at
<http://www.cree.com/lighting/products/indoor/industrial/cs14> ,
accessed Jul. 19, 2013.

“Cree HiLowBay CS18 SpecSheet”, dated, Jun. 13, 2013 , found at
<http://www.cree.com/lighting/products/indoor/industrial/cs18> ,
accessed Jul. 19, 2013.

* cited by examiner

Primary Examiner — Clare E Heflin

(74) *Attorney, Agent, or Firm* — Peter T. DiMauro; GE
Global Patent Operation

(57) **CLAIM**

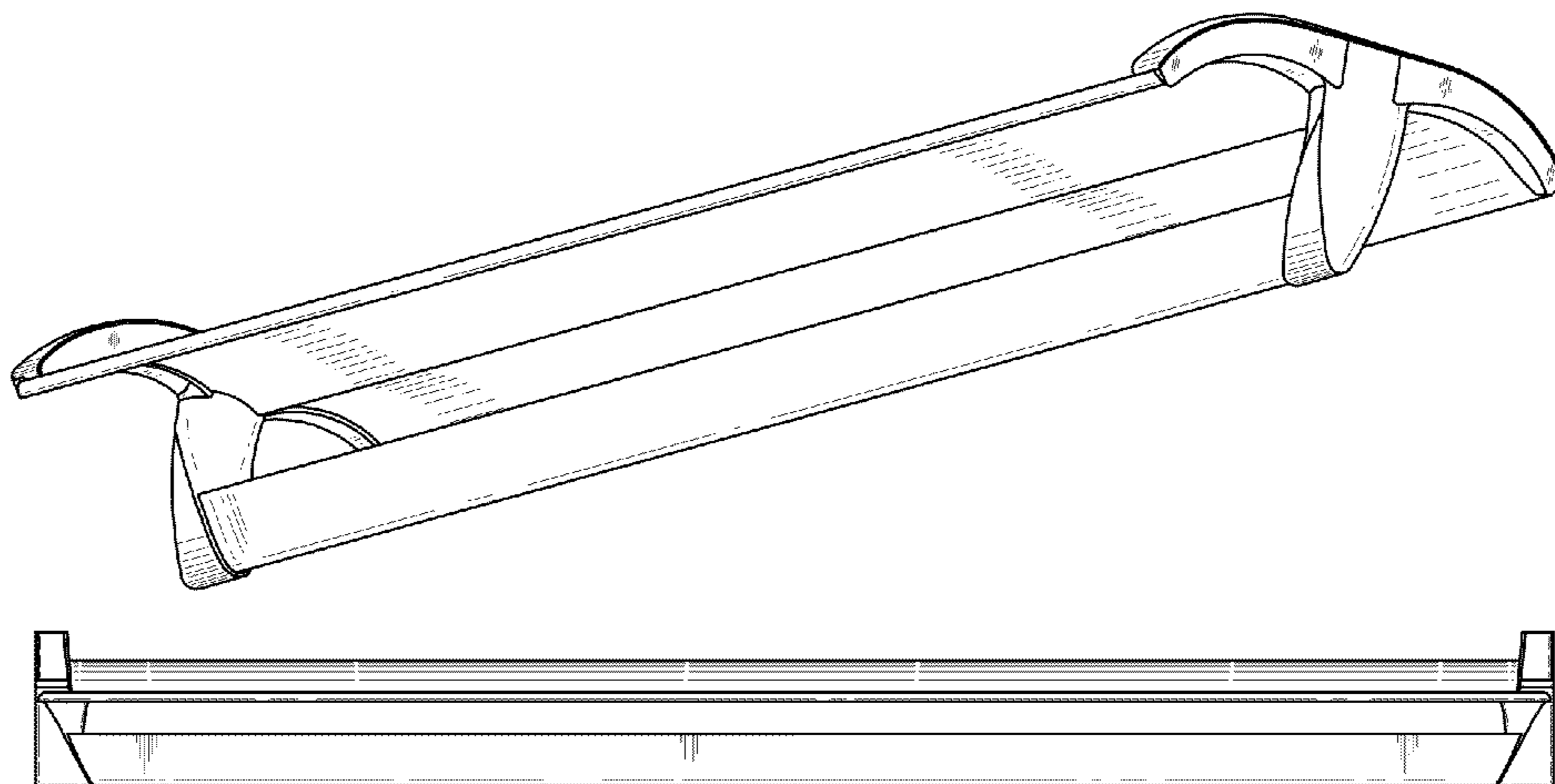
The ornamental design for an indirect luminaire, as shown
and described.

DESCRIPTION

FIG. 1 is a bottom perspective view of an indirect luminaire;
FIG. 2 is a right perspective view of the luminaire of FIG. 1;
FIG. 3 is a front elevation view of the luminaire of FIG. 1;
FIG. 4 is a rear elevation view of the luminaire of FIG. 1;
FIG. 5 is a right elevation view of the luminaire of FIG. 1;
FIG. 6 is a left elevation view of the luminaire of FIG. 1;
FIG. 7 is a bottom plan view of the luminaire of FIG. 1; and,
FIG. 8 is a top plan view of the luminaire of FIG. 1.

References to “right”, “left”, “front”, “rear”, “top”, and “bot-
tom” in the figure descriptions are not meant to require certain
in-use orientation; a luminaire according to the claimed
design may be used in any orientation. The shade lines in the
Figures show contour and not surface ornamentation.

1 Claim, 4 Drawing Sheets



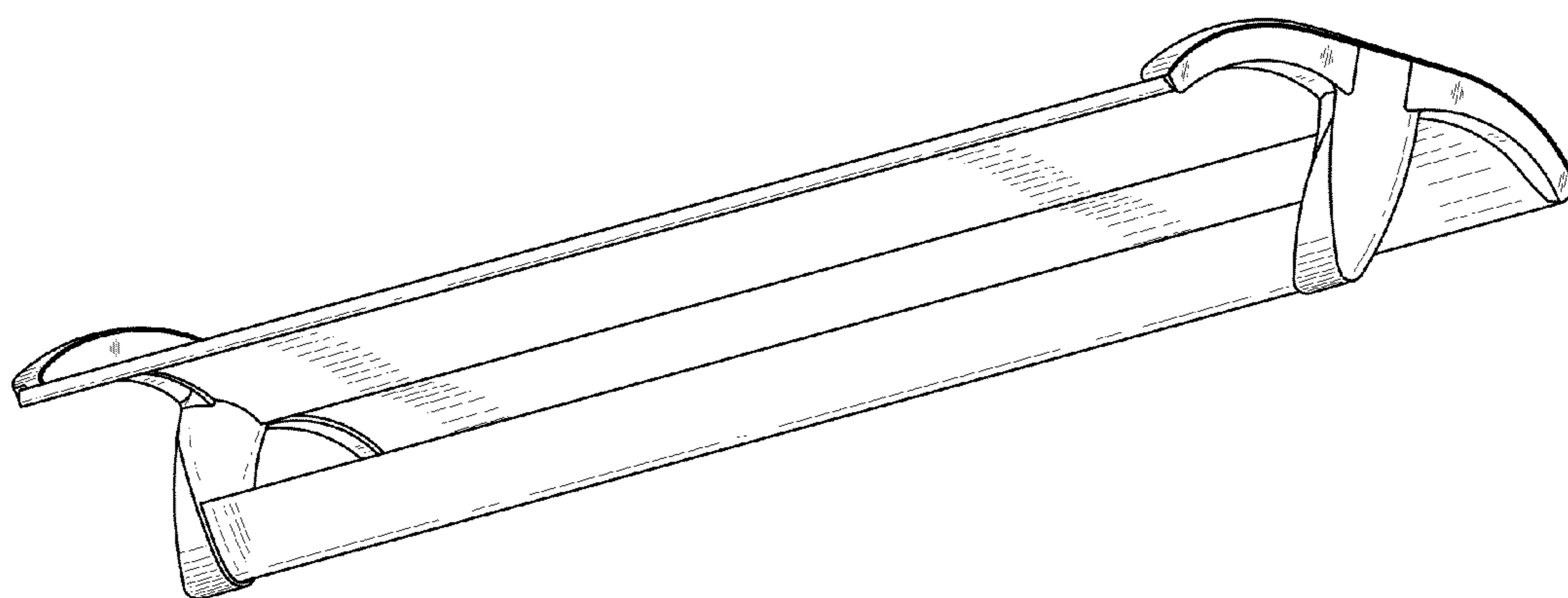


FIG. 1

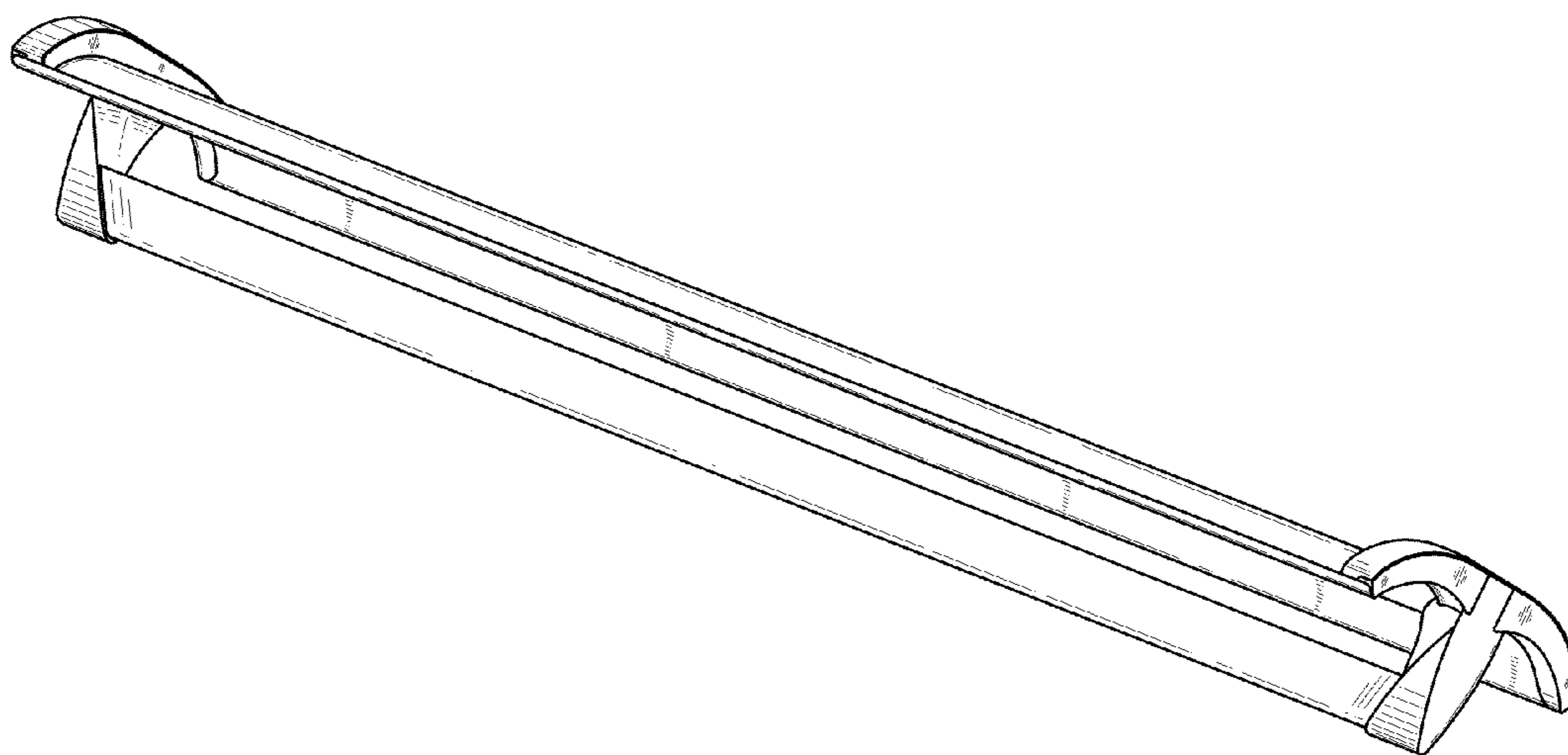


FIG. 2

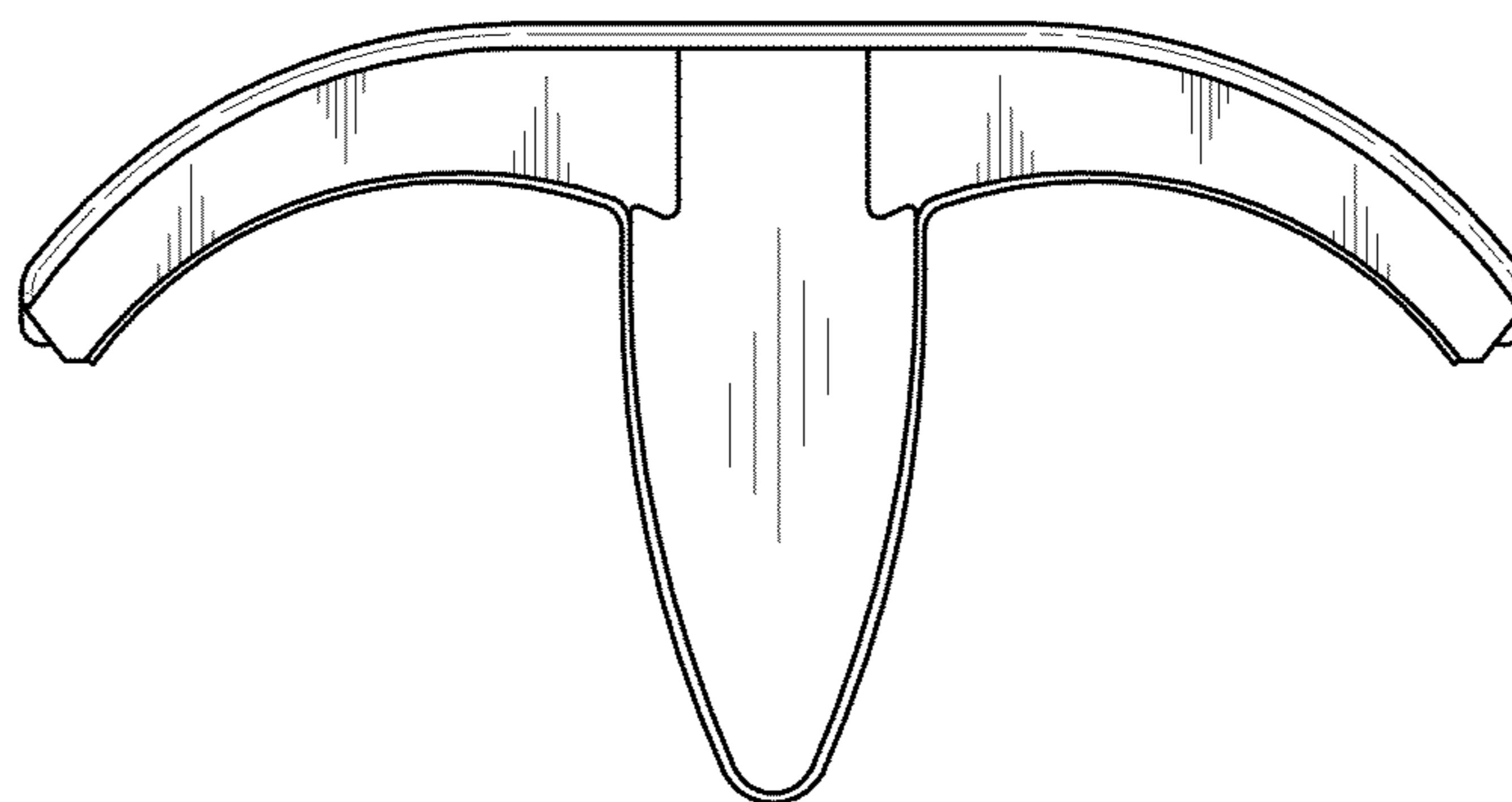


FIG. 3

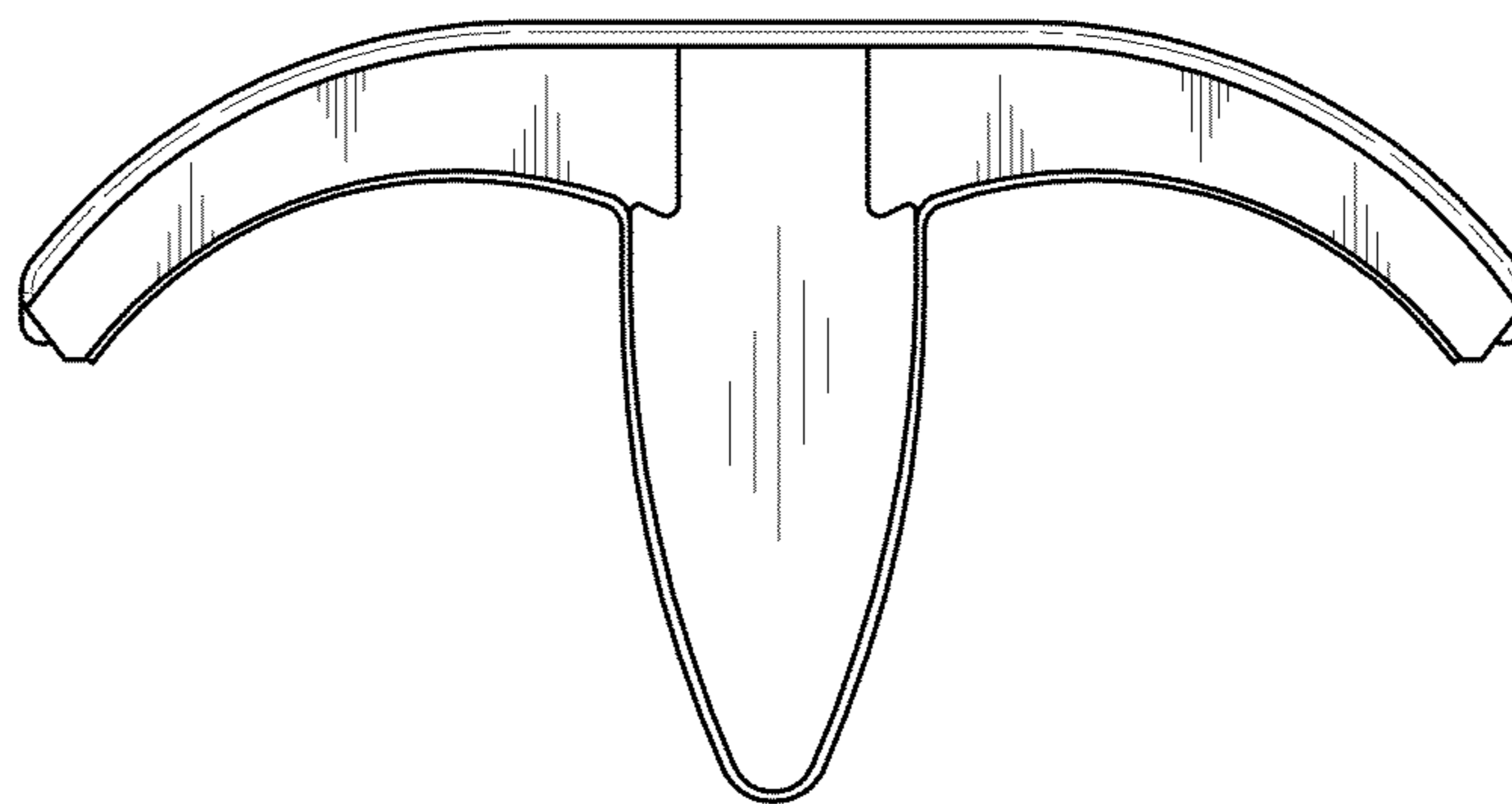


FIG. 4

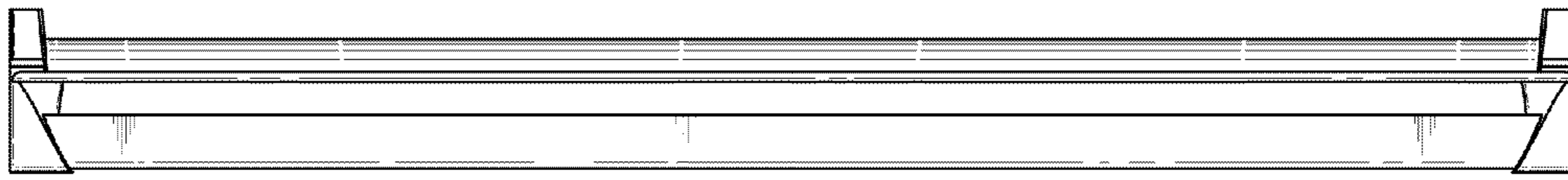


FIG. 5

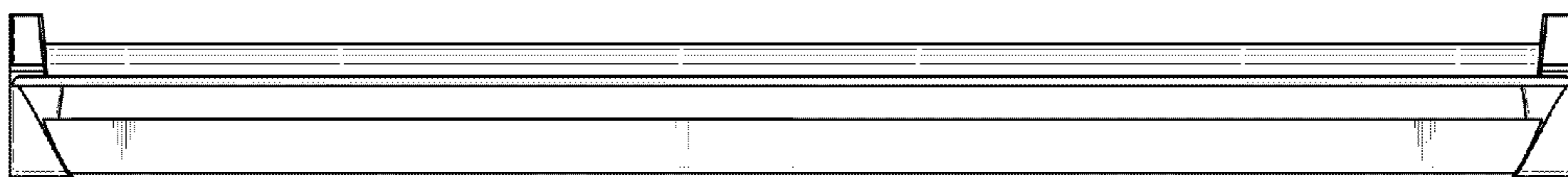


FIG. 6

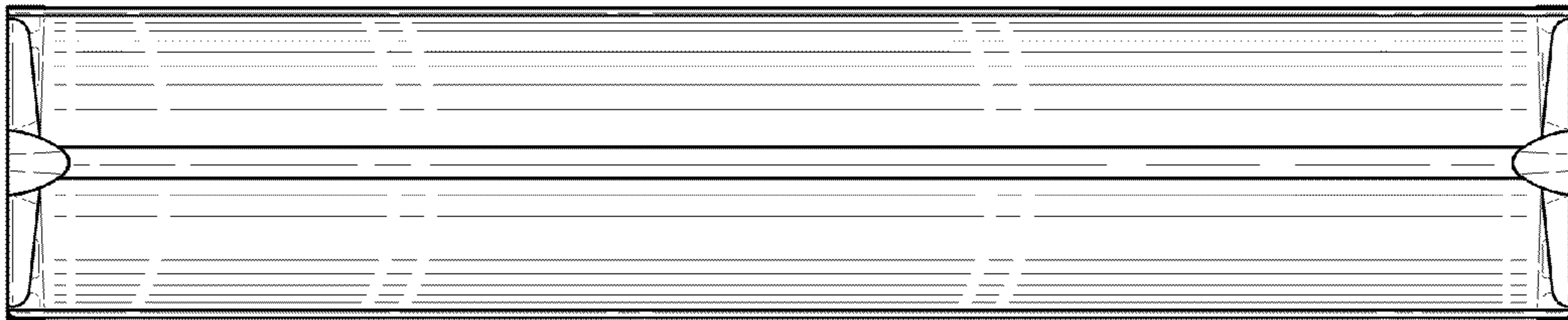


FIG. 7

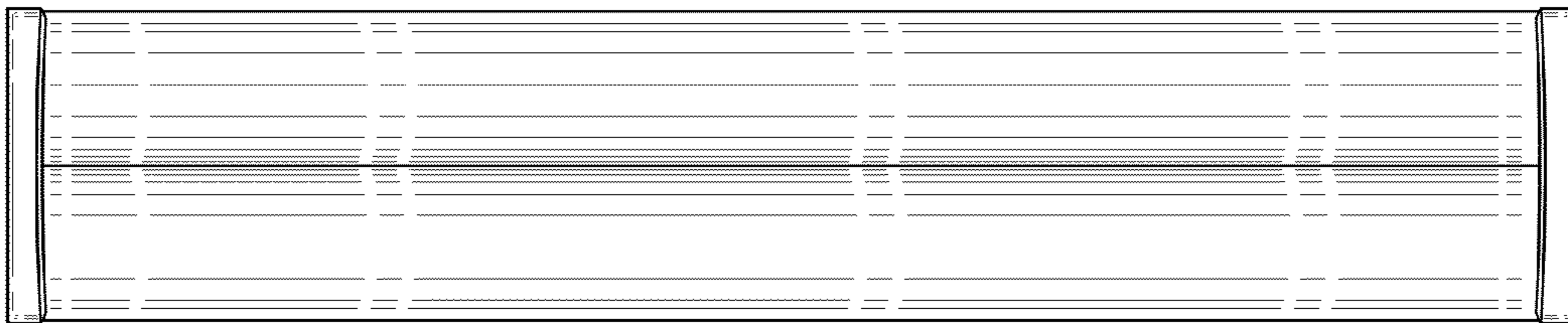


FIG. 8