



US00D704876S

(12) **United States Design Patent**  
**Toyohisa et al.**

(10) **Patent No.:** **US D704,876 S**

(45) **Date of Patent:** **\*\* May 13, 2014**

(54) **LIGHTING APPARATUS**

(71) Applicants: **Kyocera Corporation**, Kyoto (JP); **Kilt Planning Office Inc.**, Kanagawa (JP)

(72) Inventors: **Shozo Toyohisa**, Kawasaki (JP);  
**Tomoyuki Shimaya**, Higashiomi (JP);  
**Chie Kanazawa**, Higashiomi (JP)

(73) Assignees: **Kyocera Corporation**, Kyoto (JP); **Kilt Planning Office Inc.**, Kawasaki-Shi (JP)

(\*\*) Term: **14 Years**

(21) Appl. No.: **29/432,879**

(22) Filed: **Sep. 21, 2012**

(30) **Foreign Application Priority Data**

Mar. 22, 2012 (JP) ..... 2012-006457  
Mar. 28, 2012 (JP) ..... 2012-007127  
Mar. 28, 2012 (JP) ..... 2012-007128

(51) **LOC (10) Cl.** ..... **26-03**

(52) **U.S. Cl.**  
USPC ..... **D26/76; D26/118**

(58) **Field of Classification Search**  
USPC ..... D26/63, 75, 76, 80, 85-92, 128, 130,  
D26/118; 362/133, 147, 240, 404-408, 431,  
362/432

See application file for complete search history.

(56) **References Cited**

**U.S. PATENT DOCUMENTS**

D105,885 S \* 8/1937 McDonald ..... D26/76  
D188,467 S \* 7/1960 Dunkel ..... D26/76  
D359,374 S \* 6/1995 Weinstock ..... D26/80  
D374,737 S \* 10/1996 Can ..... D26/80  
D414,287 S \* 9/1999 Sapper ..... D26/76  
D463,059 S \* 9/2002 Verfuether ..... D26/78  
D472,007 S \* 3/2003 Weitgasser ..... D26/76

(Continued)

Primary Examiner — Clare E Heflin

(74) *Attorney, Agent, or Firm* — Birch, Stewart, Kolasch & Birch, LLP

(57) **CLAIM**

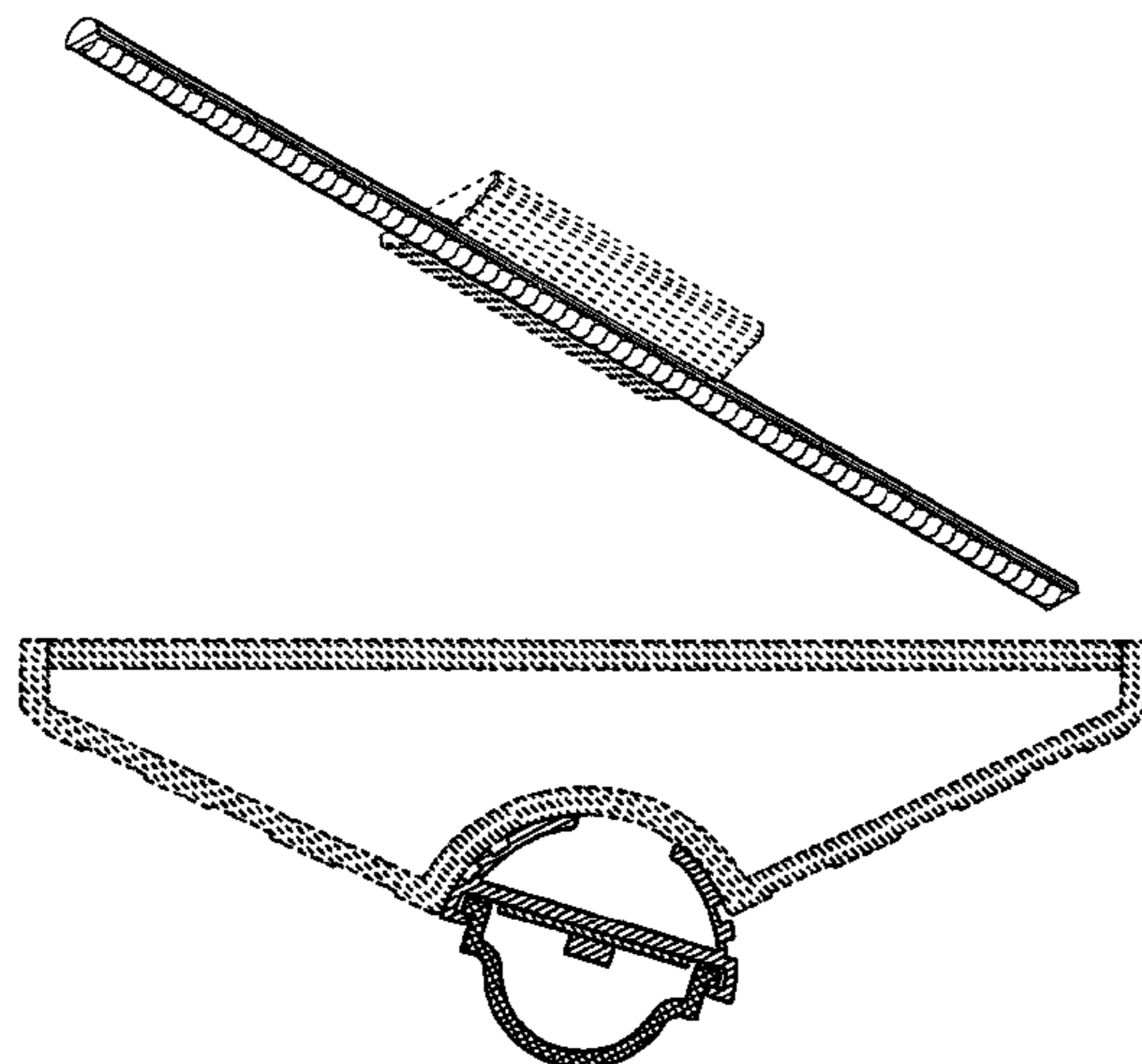
The ornamental design for a lighting apparatus, as shown and described.

**DESCRIPTION**

FIG. 1 is a front elevation view of the lighting apparatus showing the new design, the rear view being identical; FIG. 2 is a top plan view thereof; FIG. 3 is a bottom plan view thereof; FIG. 4 is a right side elevation view thereof, the left side view being identical; FIG. 5 is a bottom perspective view thereof; FIG. 6 is an enlarged sectional view thereof, taken along the line 6-6 in FIG. 1, with the internal mechanism being omitted and the cross-hatched section being translucent; FIG. 7 is an enlarged view of the section between lines 7-7 in FIG. 1; FIG. 8 is an enlarged view of the section between lines 8-8 in FIG. 2; FIG. 9 is a sectional view taken along the line 9-9 in FIG. 4; FIG. 10 is another enlarged sectional view thereof taken along the line 6-6 in FIG. 1, showing the rod-shaped casing rotated clockwise; and, FIG. 11 is another enlarged sectional view thereof taken along the line 6-6 in FIG. 1, showing the rod-shaped casing rotated counter clockwise.

The broken lines shown on the drawings depict portions of the lighting apparatus that form no part of the claimed design. For all of the above embodiments the design is applied is used in such a manner that a back-side section thereof is directly attached to, for example, a ceiling, a wall, or the like, or the article suspends from a ceiling or the like. The article includes one rod-shaped casing that has a substantially semicircular cross section. A plurality of light sources, such as light-emitting diodes, is provided inside the casing.

**1 Claim, 4 Drawing Sheets**



# US D704,876 S

Page 2

---

(56)

## References Cited

### U.S. PATENT DOCUMENTS

D473,672 S *	4/2003	Lay et al. ....	D26/80	
D547,481 S *	7/2007	Tseng .....	D26/76	
D604,885 S *	11/2009	Ford et al. ....	D26/78	* cited by examiner
7,648,251 B2 *	1/2010	Whitehouse et al. ....	362/133	
D617,488 S *	6/2010	Cho .....	D26/76	
D633,642 S *	3/2011	Wauters .....	D26/85	

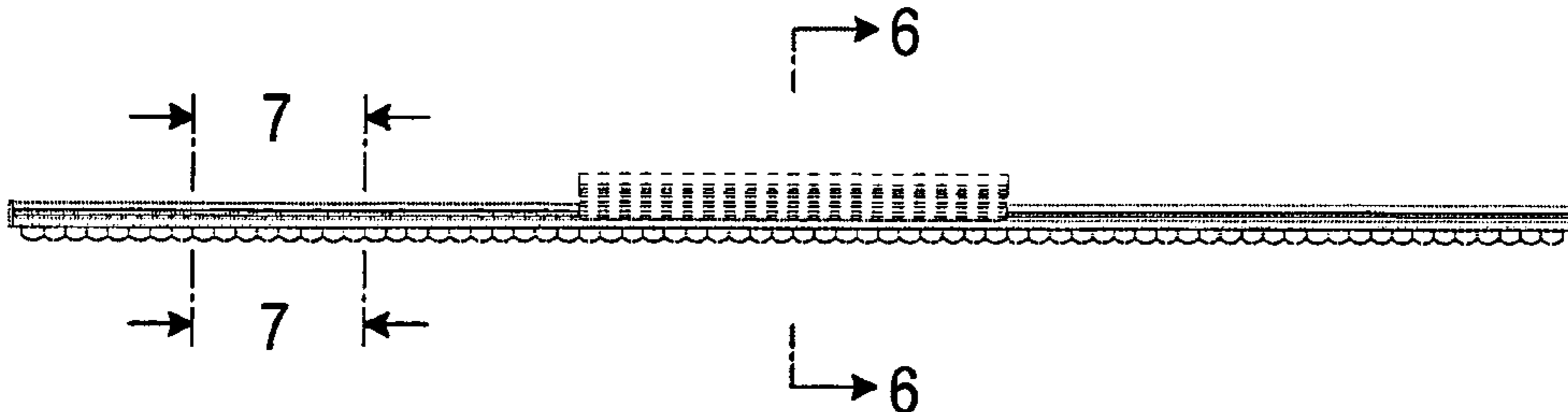


FIG.1

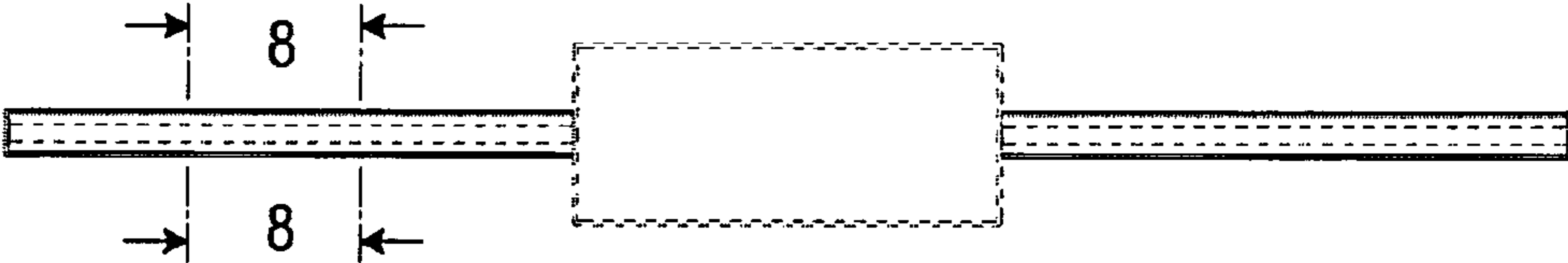


FIG.2

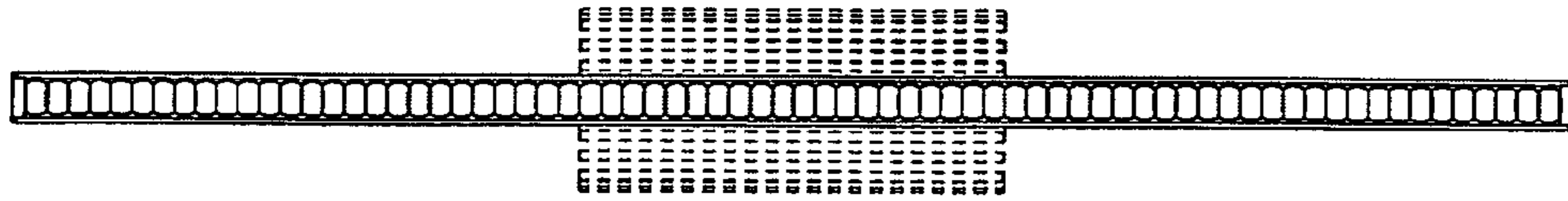


FIG. 3

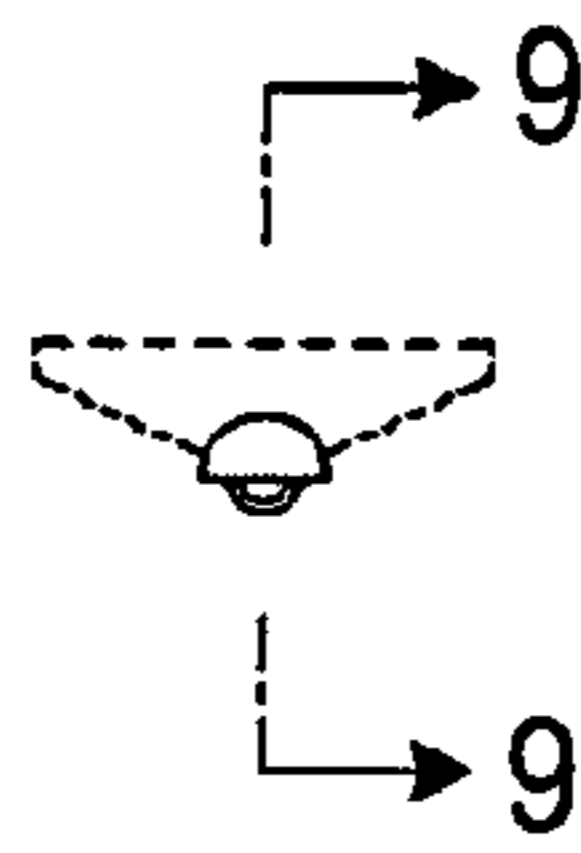


FIG. 4

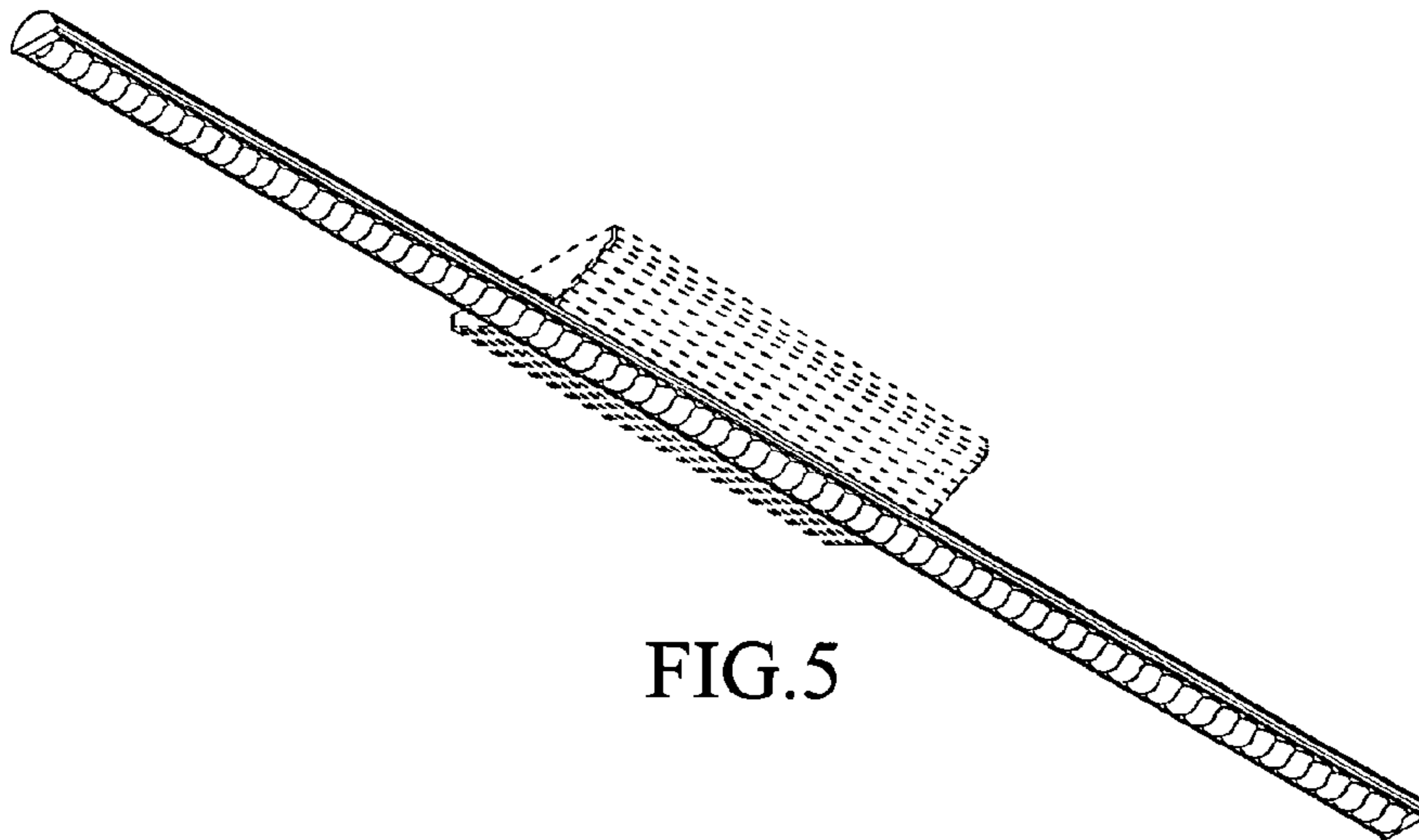


FIG. 5

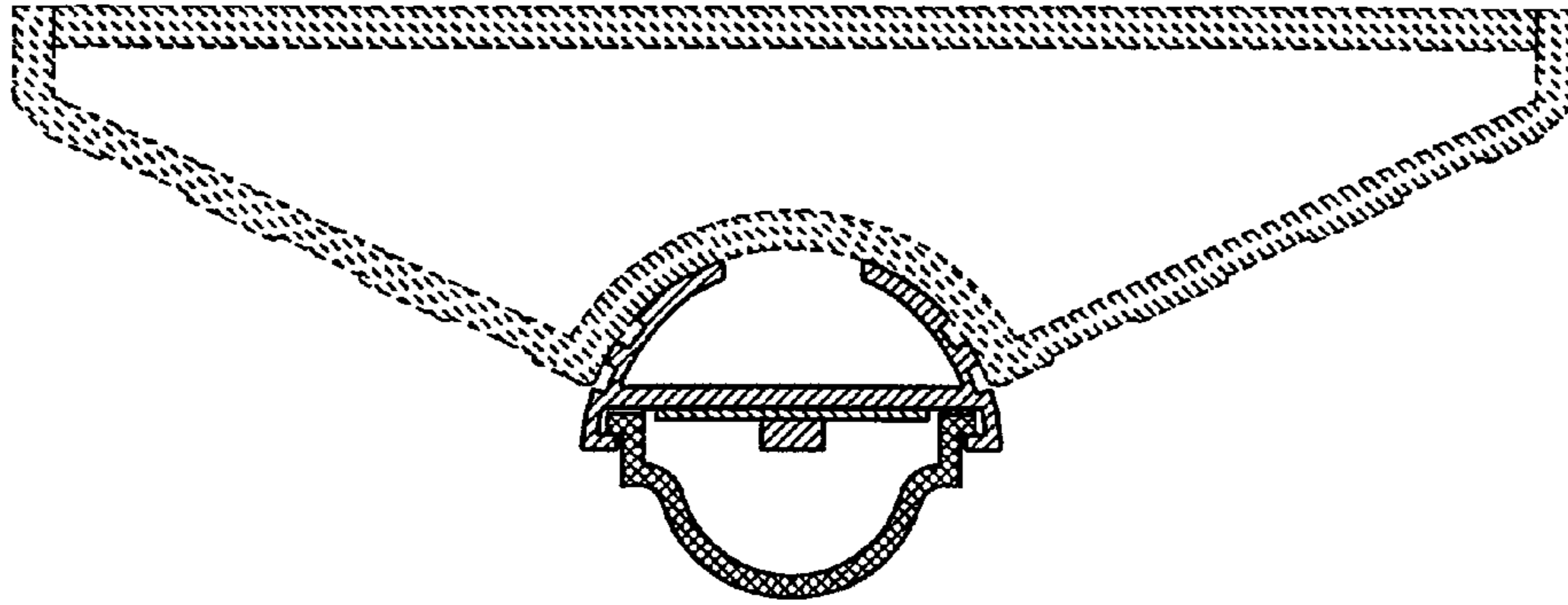


FIG. 6

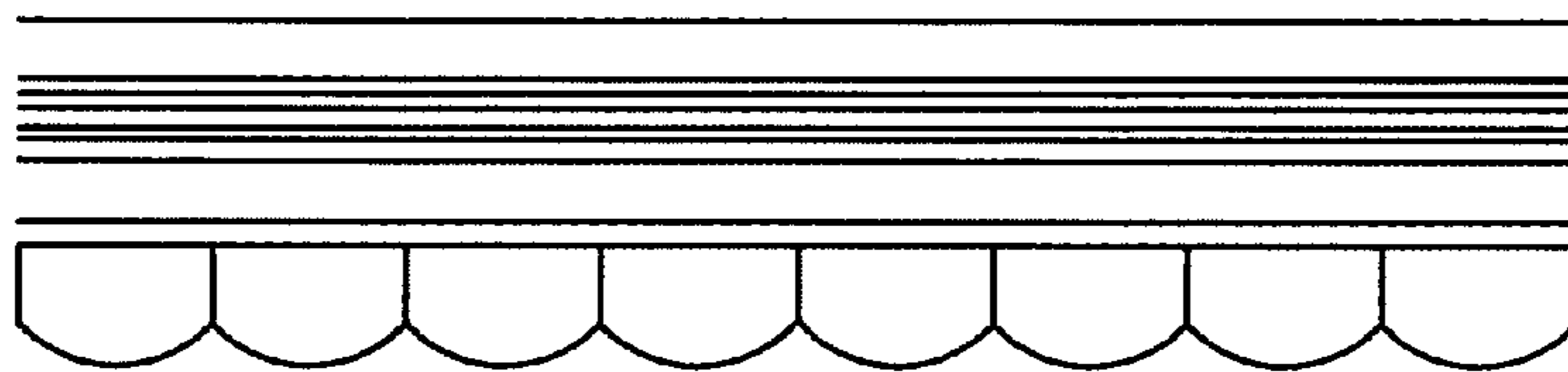


FIG. 7

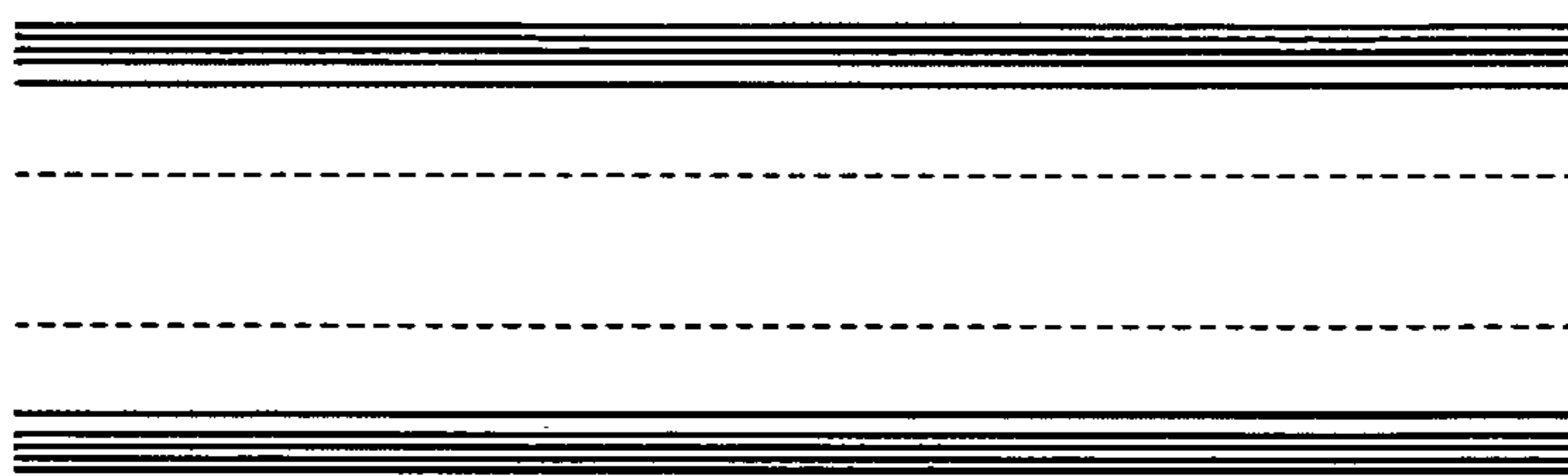


FIG. 8



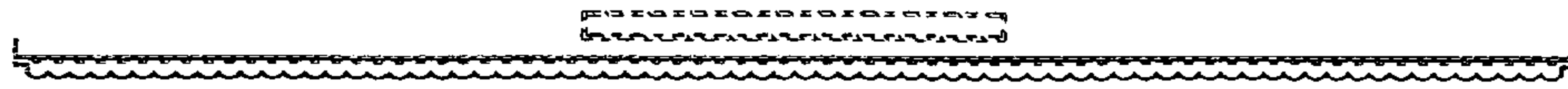


FIG. 9

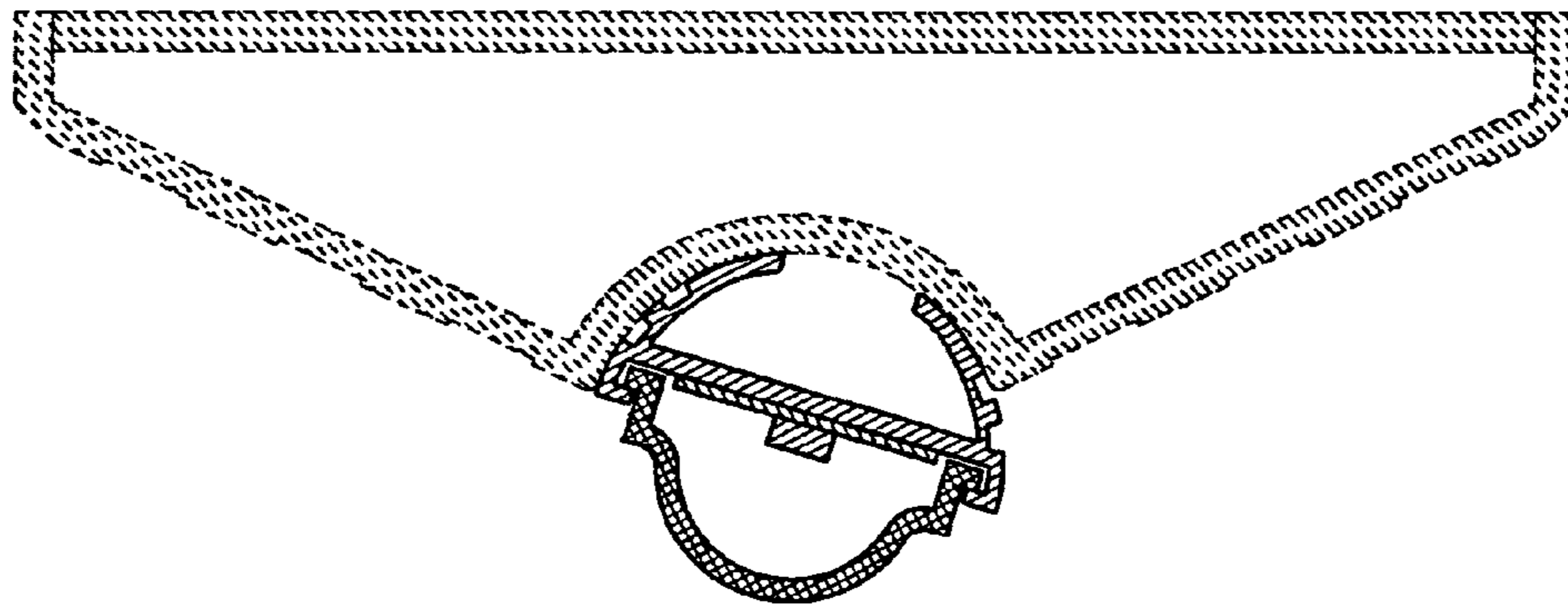


FIG. 10

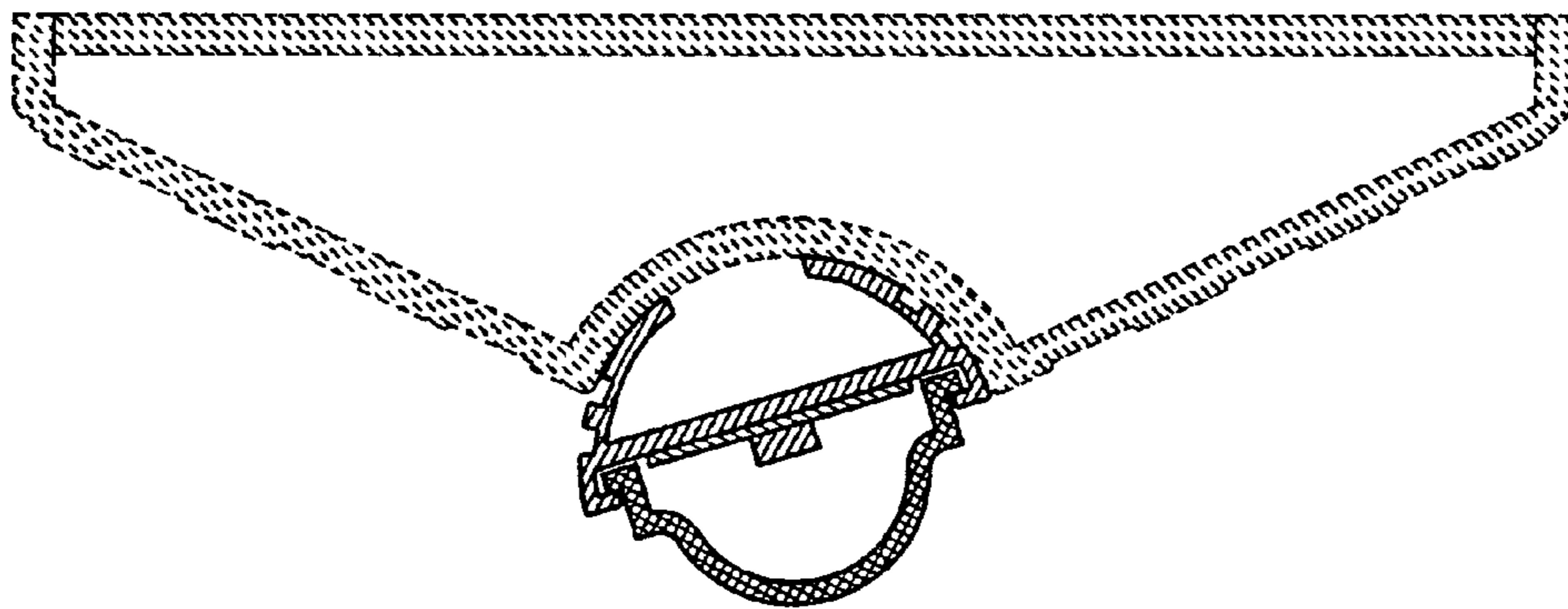


FIG. 11