



US00D704875S

(12) **United States Design Patent**  
**Johnson**

(10) **Patent No.:** **US D704,875 S**

(45) **Date of Patent:** **\*\* May 13, 2014**

(54) **FIRE RATED DOWNLIGHT HOUSING**

(75) Inventor: **Andrew Joseph Johnson**, Klosters (CH)

(73) Assignee: **Aurora Lighting Inc.**, Clearwater, FL  
(US)

(\*\*) Term: **14 Years**

(21) Appl. No.: **29/400,708**

(22) Filed: **Aug. 31, 2011**

**Related U.S. Application Data**

(63) Continuation-in-part of application No. 29/330,674,  
filed on Jan. 12, 2009, now abandoned.

(51) **LOC (10) Cl.** ..... **26-05**

(52) **U.S. Cl.**  
USPC ..... **D26/74**

(58) **Field of Classification Search**  
USPC ..... D26/24, 72, 80, 81, 83, 85, 88, 89, 91,  
D26/113, 118, 123, 124, 138, 74, 76;  
362/145, 146, 147, 148, 150, 153, 294,  
362/296.01, 296.07, 296.08, 311.07,  
362/311.09, 311.1, 345, 364, 365, 366, 373  
See application file for complete search history.

(56) **References Cited**

**U.S. PATENT DOCUMENTS**

D247,562	S *	3/1978	Walker et al.	.....	D14/209
5,664,869	A *	9/1997	Bitton	.....	362/147
D448,880	S	10/2001	Benghozi	.....	D26/74
7,191,993	B2	3/2007	Bobrowski	.....	248/318
D544,979	S	6/2007	Hartmann et al.	.....	D26/74
D558,378	S	12/2007	Rashidi	.....	D26/74
7,331,555	B2	2/2008	St-Pierre	.....	248/343
D574,541	S	8/2008	Matsumoto et al.	.....	D26/74
7,473,005	B2	1/2009	O'Brien	.....	362/148
7,476,010	B2	1/2009	Johnson	.....	362/373
7,513,658	B2	4/2009	Shen	.....	
7,530,717	B2	5/2009	Magisano et al.	.....	362/365

7,607,935	B2 *	10/2009	Dahl	.....	439/485
D608,041	S *	1/2010	Hua	.....	D26/74
D609,840	S *	2/2010	Tang	.....	D26/74
7,748,868	B2	7/2010	Patti et al.	.....	362/269
7,954,974	B2 *	6/2011	Johnson	.....	362/147
D655,436	S *	3/2012	Johnson	.....	D26/74
D658,327	S *	4/2012	Meise et al.	.....	D26/74

(Continued)

*Primary Examiner* — Angela J Lee

(74) *Attorney, Agent, or Firm* — Hayes Soloway P.C.

(57) **CLAIM**

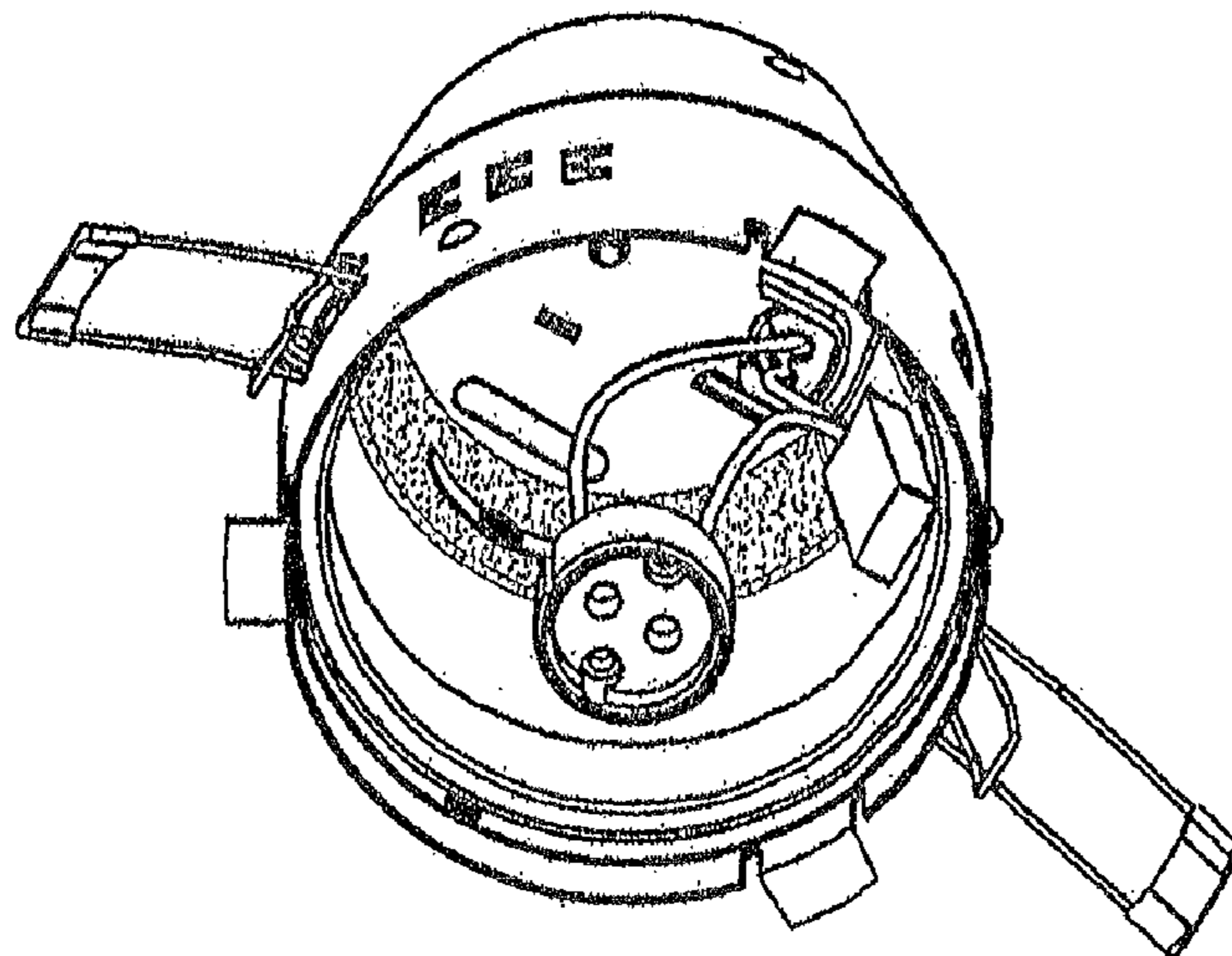
The ornamental design for a fire rated downlight housing, as shown and described.

**DESCRIPTION**

FIG. 1 is a top plan view showing my design;  
 FIG. 2 is a bottom plan view thereof;  
 FIG. 3 is a side view from the top;  
 FIG. 4 is a side view from the bottom;  
 FIG. 5 is a perspective view thereof from one side, the other side being a mirror image;  
 FIG. 6 is a top plan view of a second alternative embodiment of my design;  
 FIG. 7 is a bottom plan view thereof;  
 FIG. 8 is a side view from the top;  
 FIG. 9 is a side view from the bottom;  
 FIG. 10 is a perspective view thereof from one side, the other side being a mirror image;  
 FIG. 11 is a top plan view of a third alternative embodiment of my design;  
 FIG. 12 is a bottom plan view thereof;  
 FIG. 13 is a side view from the top;  
 FIG. 14 is a side view from the bottom; and,  
 FIG. 15 is a perspective view thereof from one side, the other side being a mirror image.

The broken lines illustrate environmental components of the fire rated downlight housing which form no part of the claimed design.

**1 Claim, 6 Drawing Sheets**



# US D704,875 S

Page 2

---

(56)

## References Cited

### U.S. PATENT DOCUMENTS

			2008/0068847	A1	3/2008	Bedard	.....	362/365	
			2008/0278953	A1*	11/2008	Haugaard	.....	362/365	
			2012/0140490	A1*	6/2012	Rowlette et al.	.....	362/373	
D665,117	S	*	8/2012	Yoshida et al.	.....	D26/74			
8,308,322	B2	*	11/2012	Santiago et al.	.....	362/365			* cited by examiner

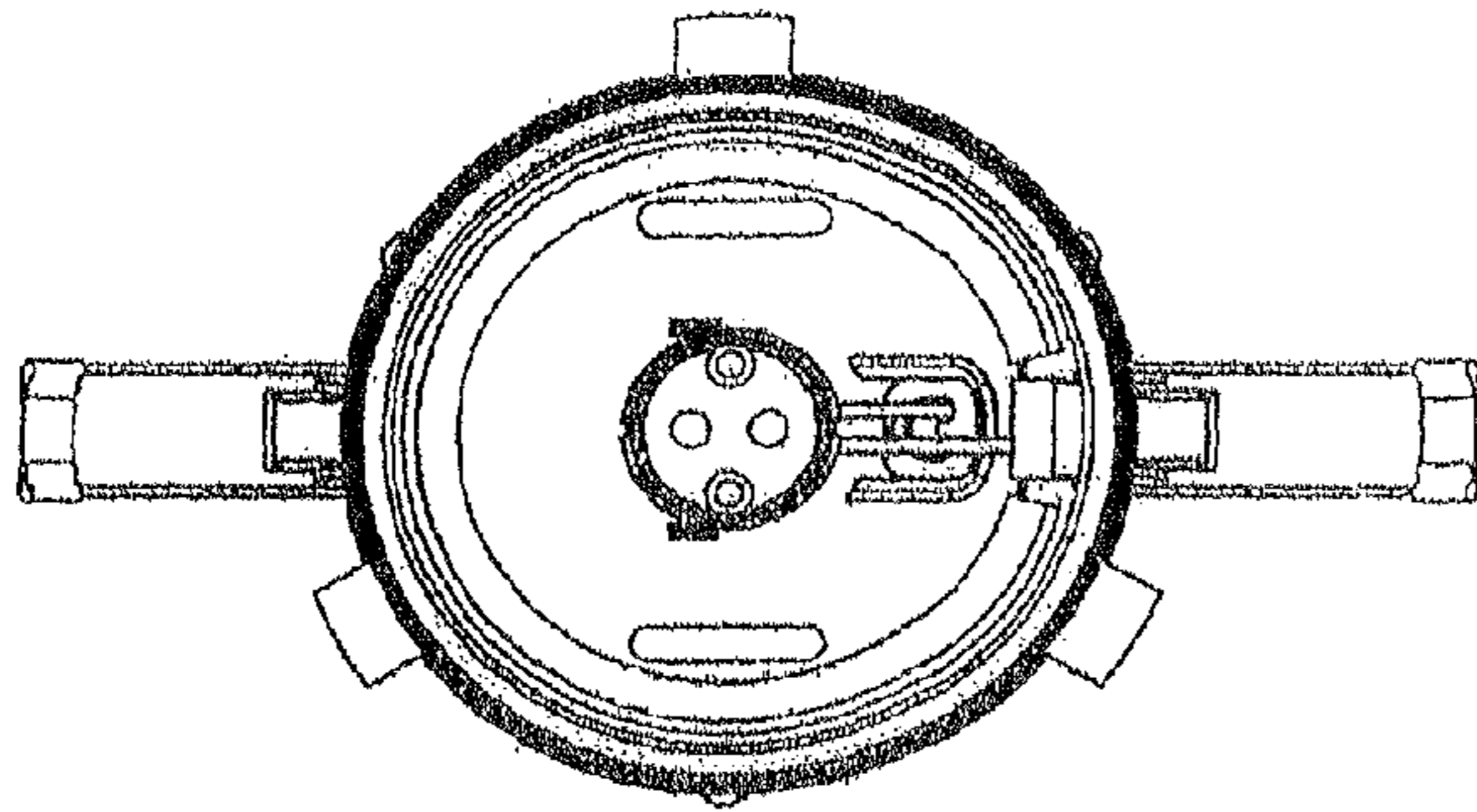


FIG. 1

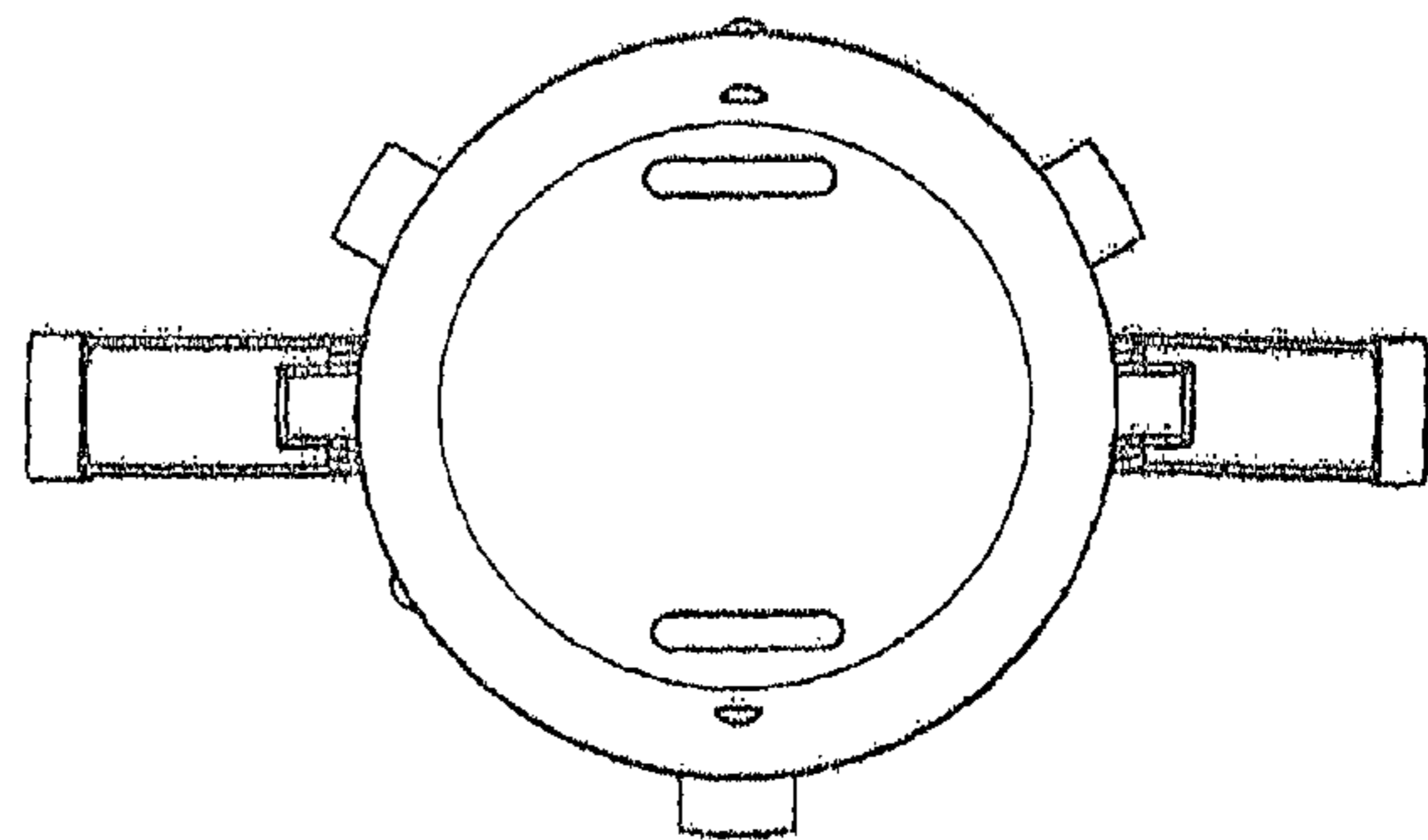


FIG. 2

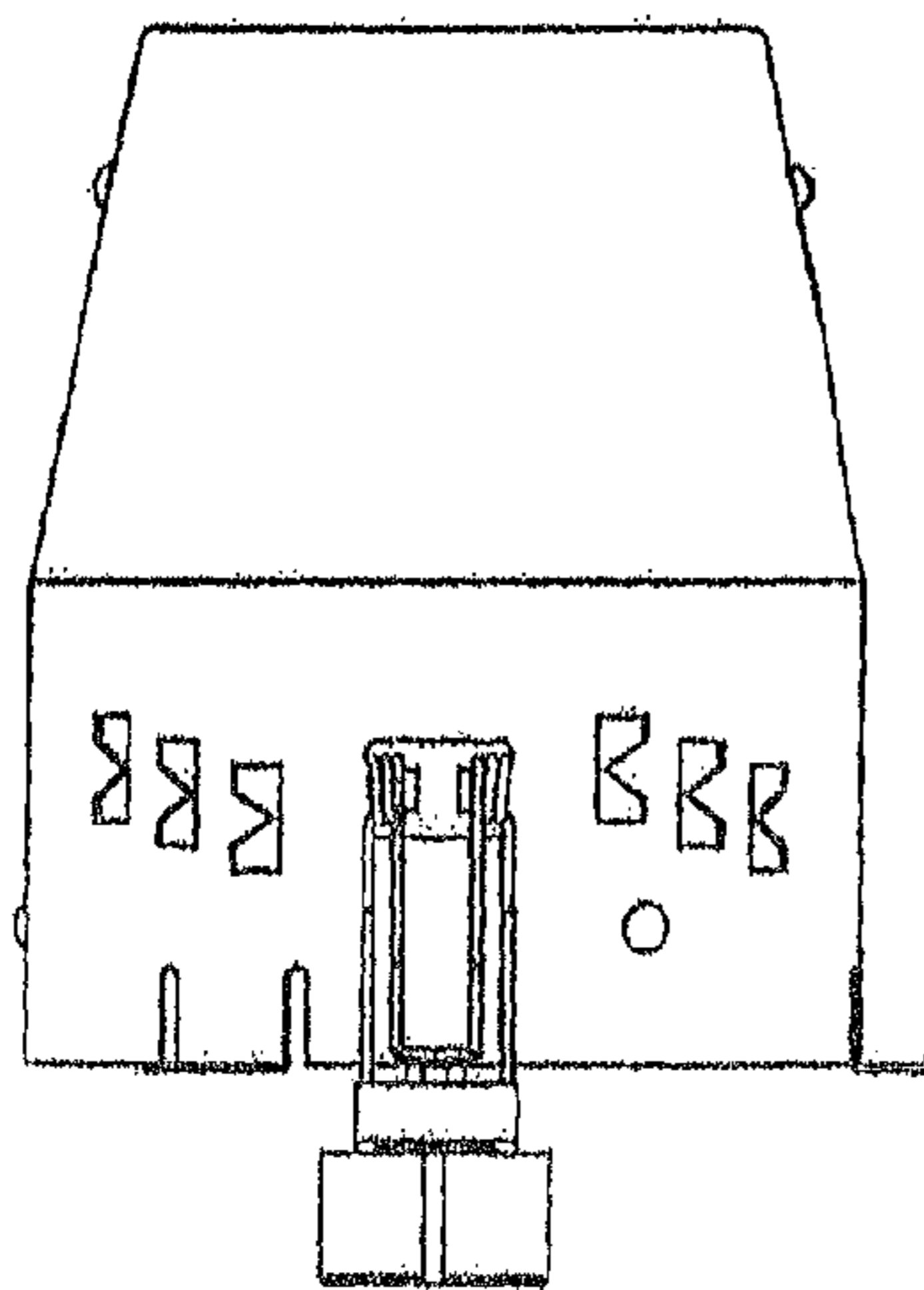


FIG. 3

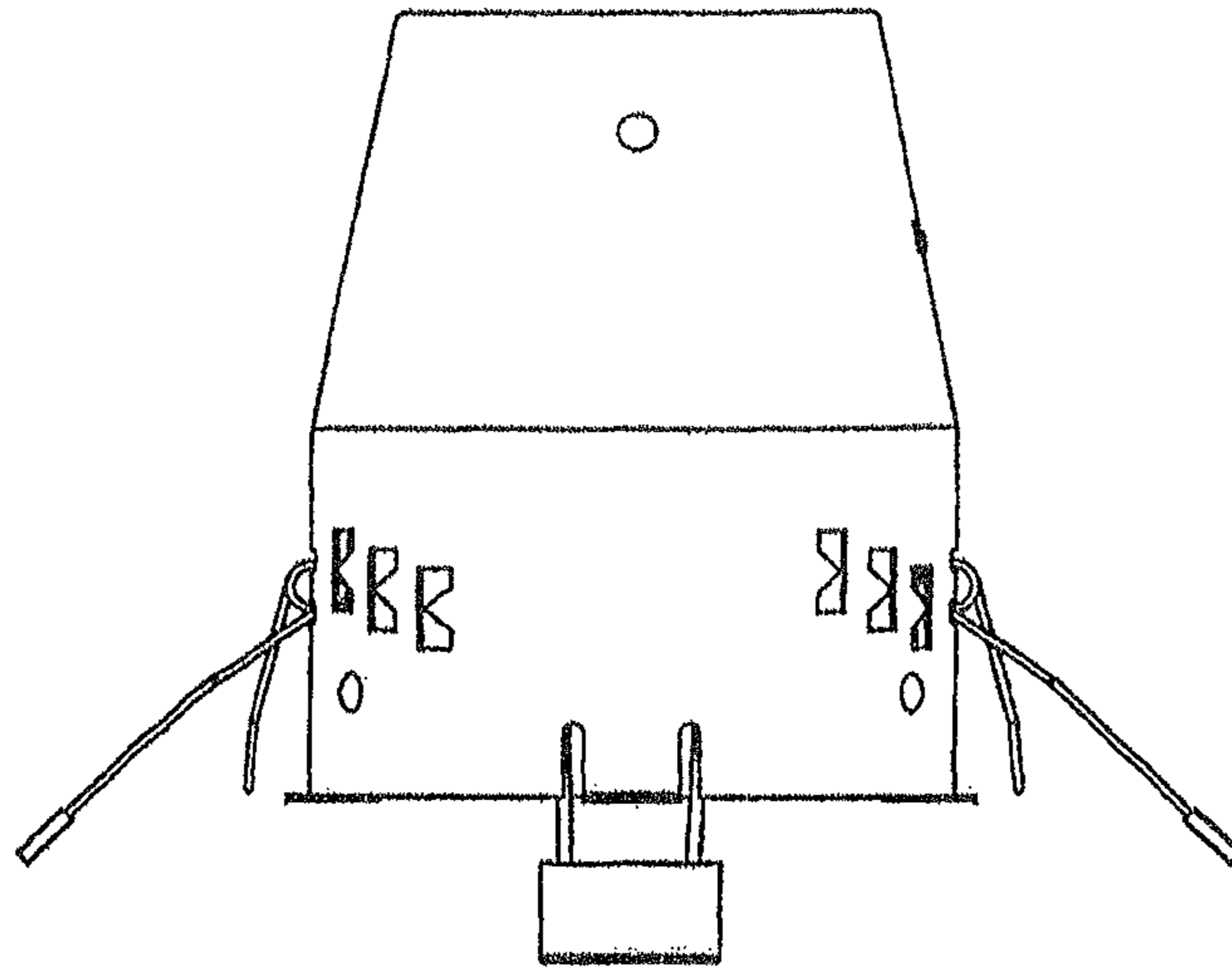


FIG. 4

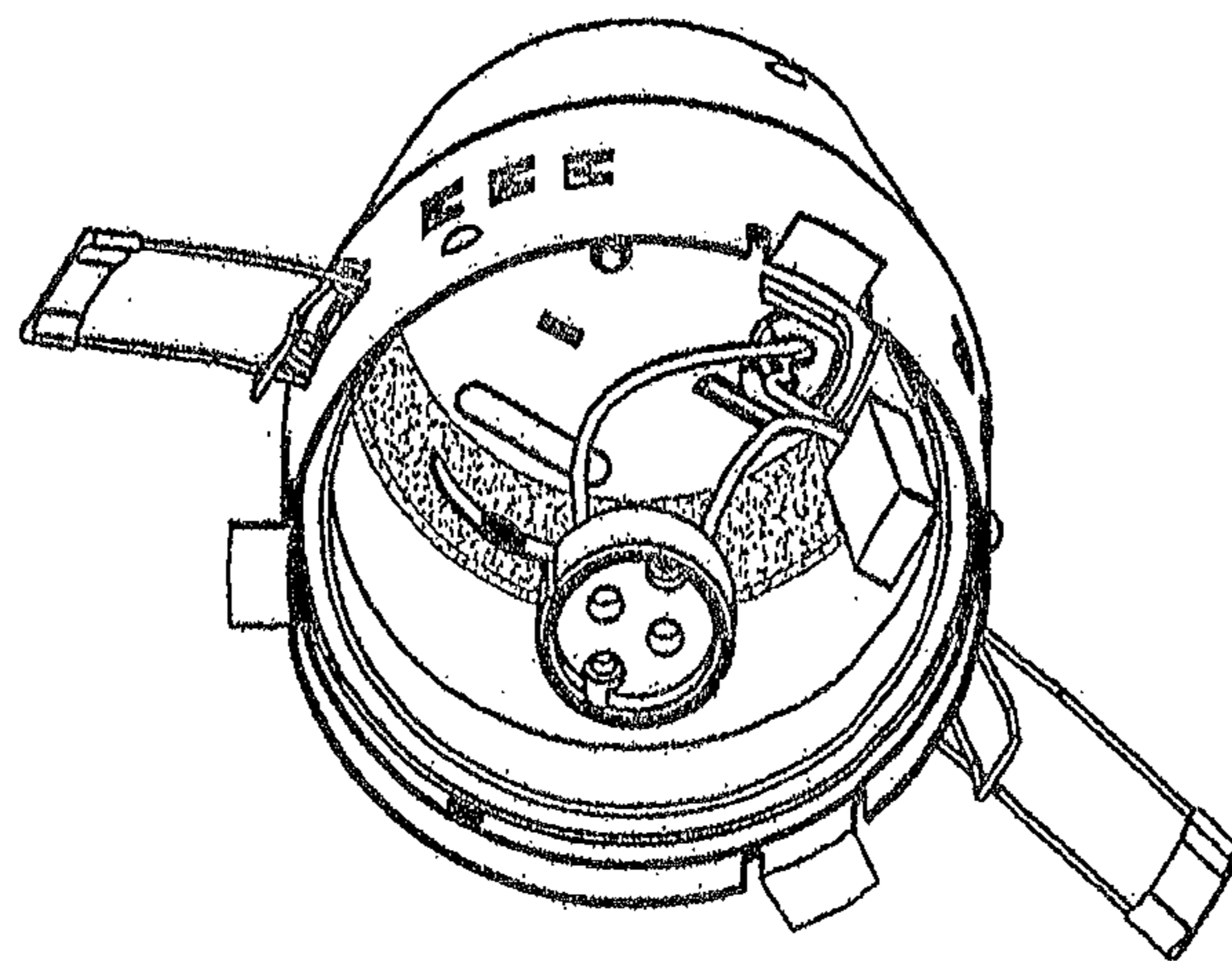


FIG. 5

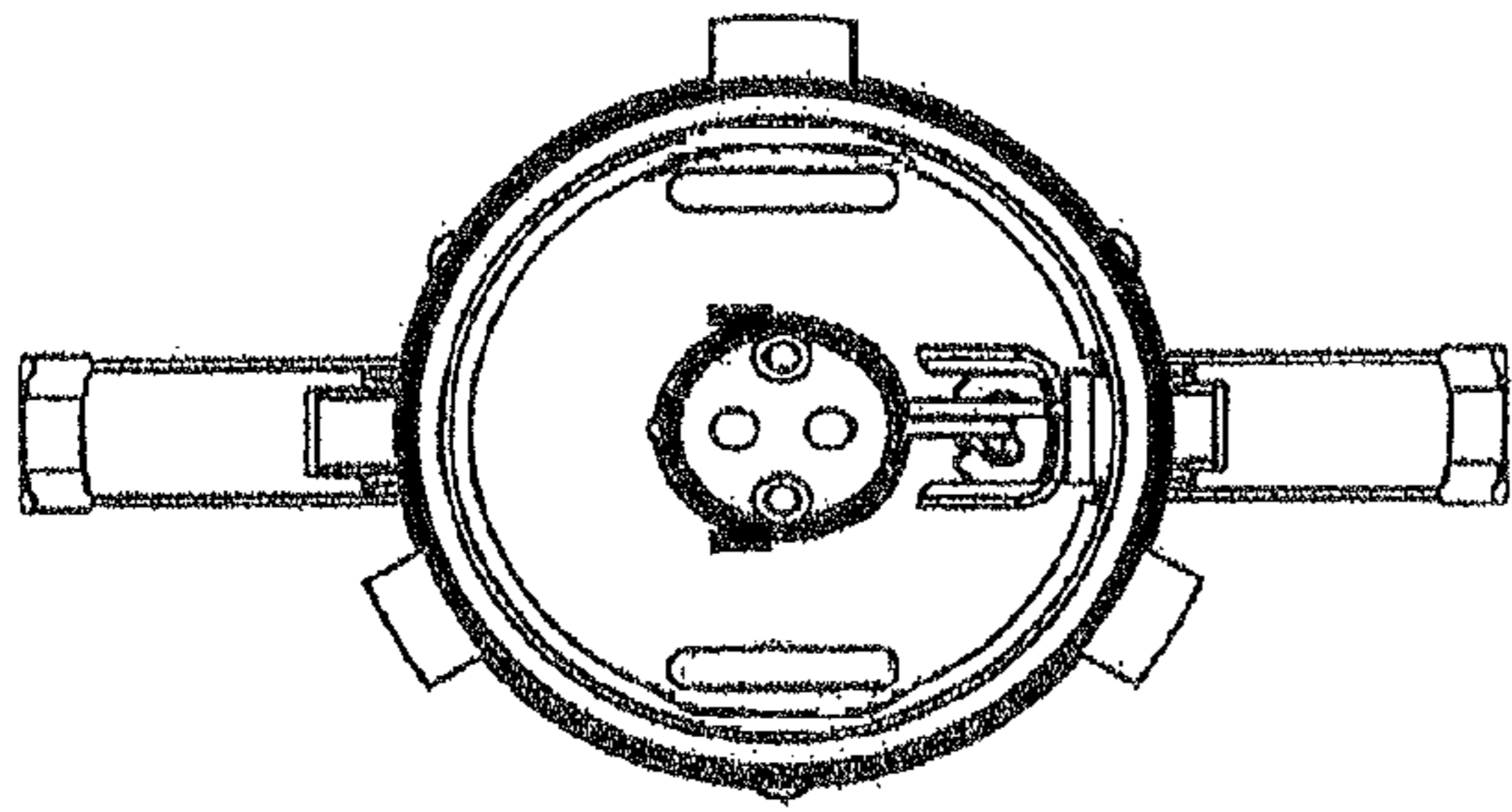


FIG. 6

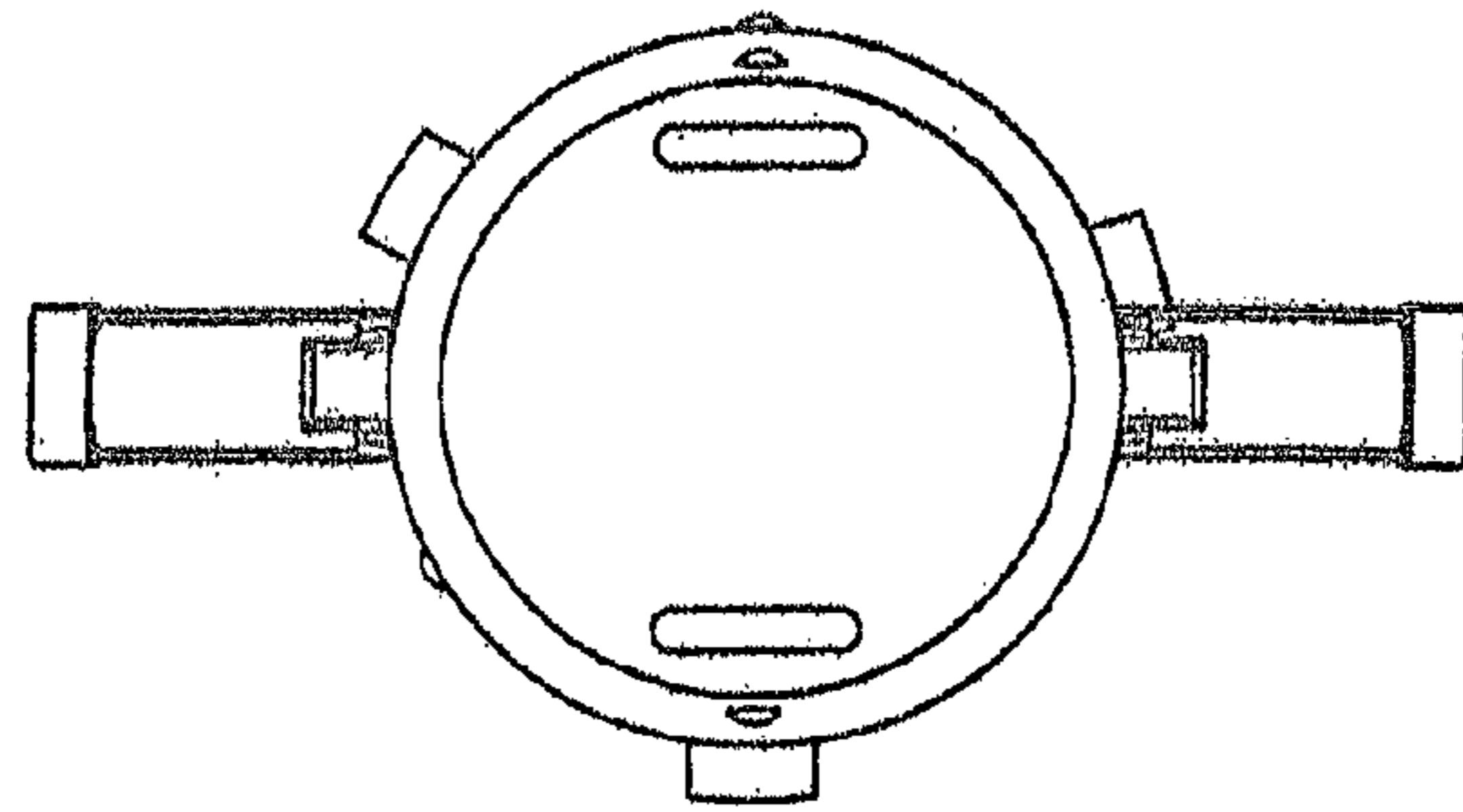


FIG. 7

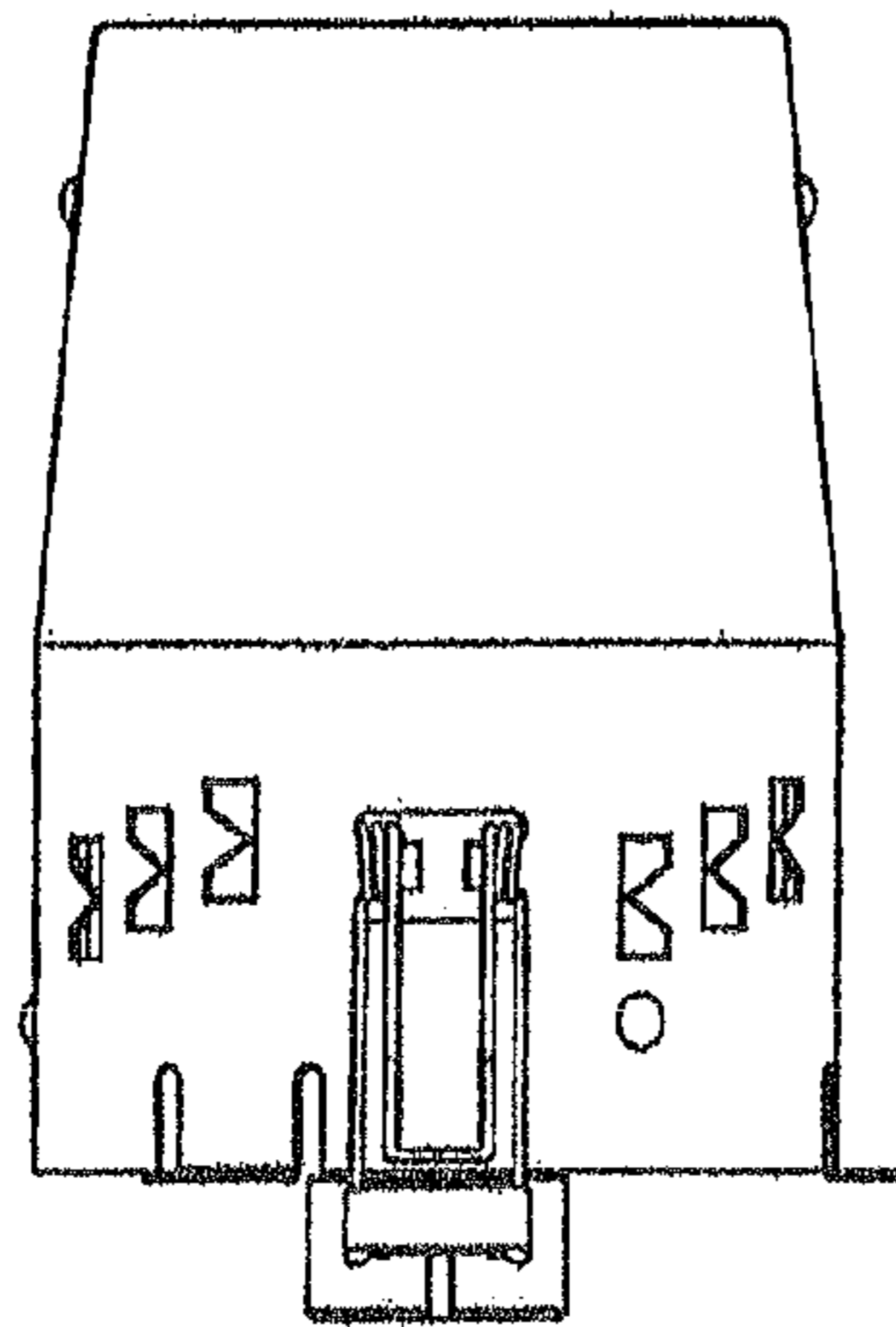


FIG. 8

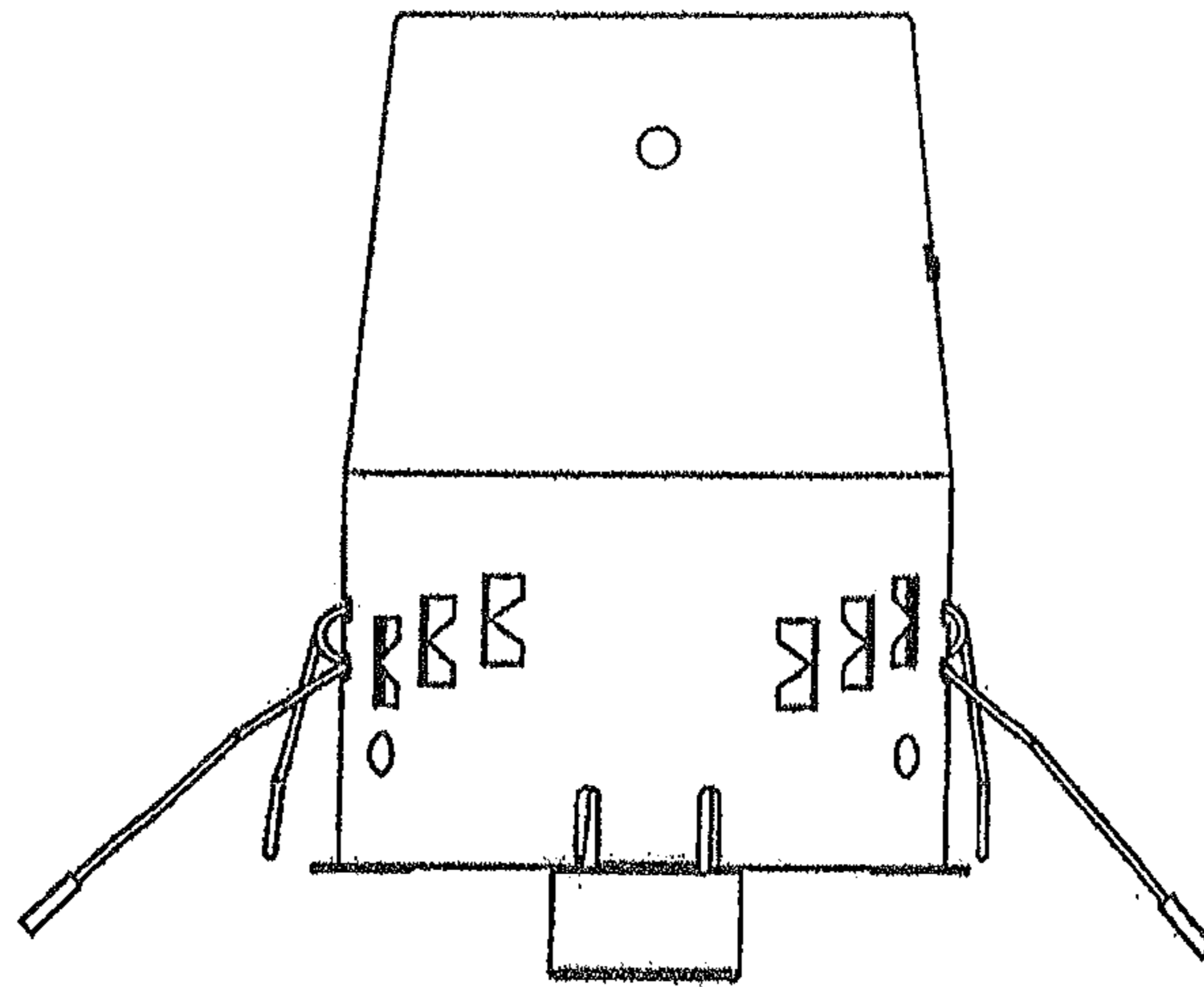


FIG. 9

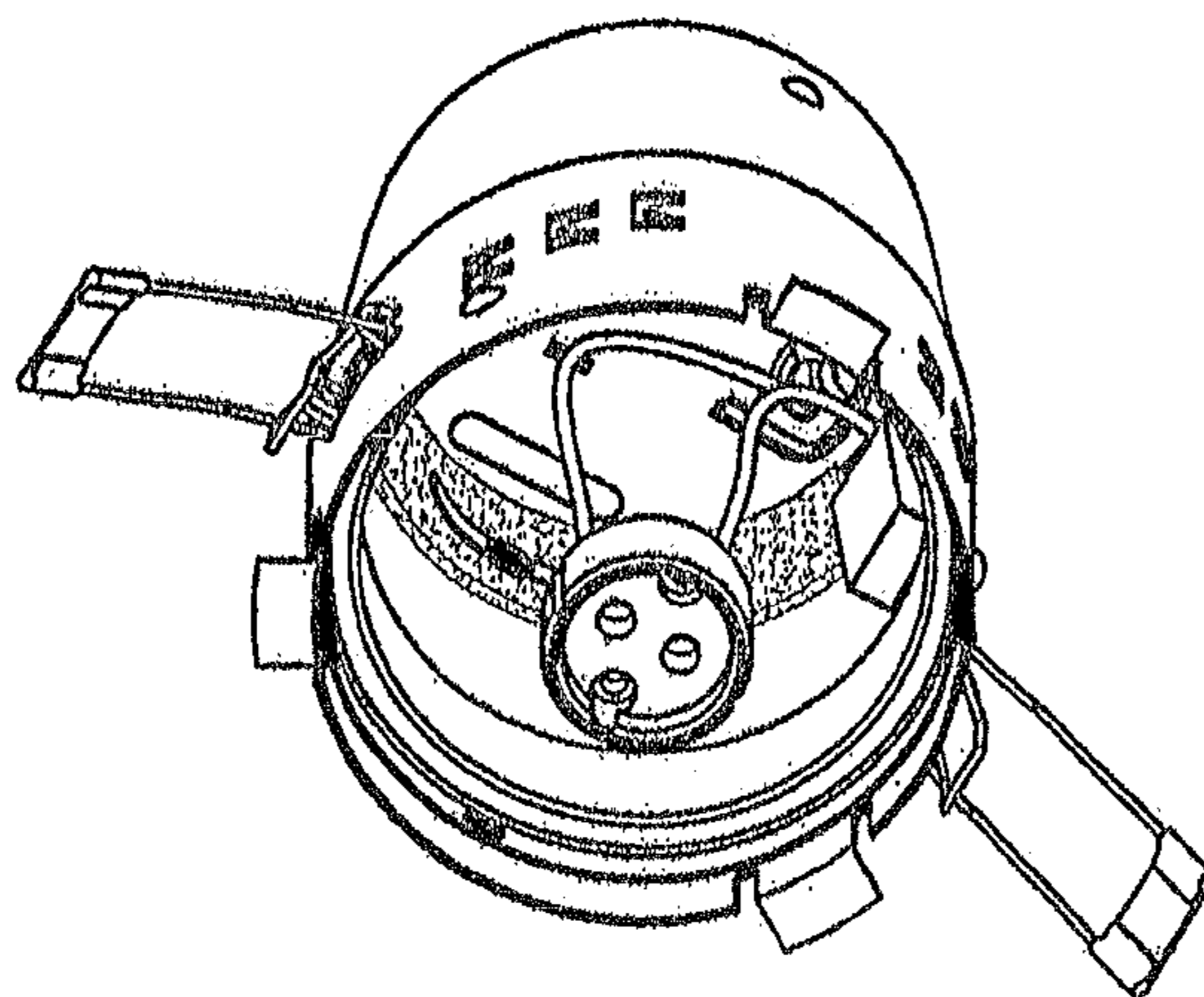


FIG. 10

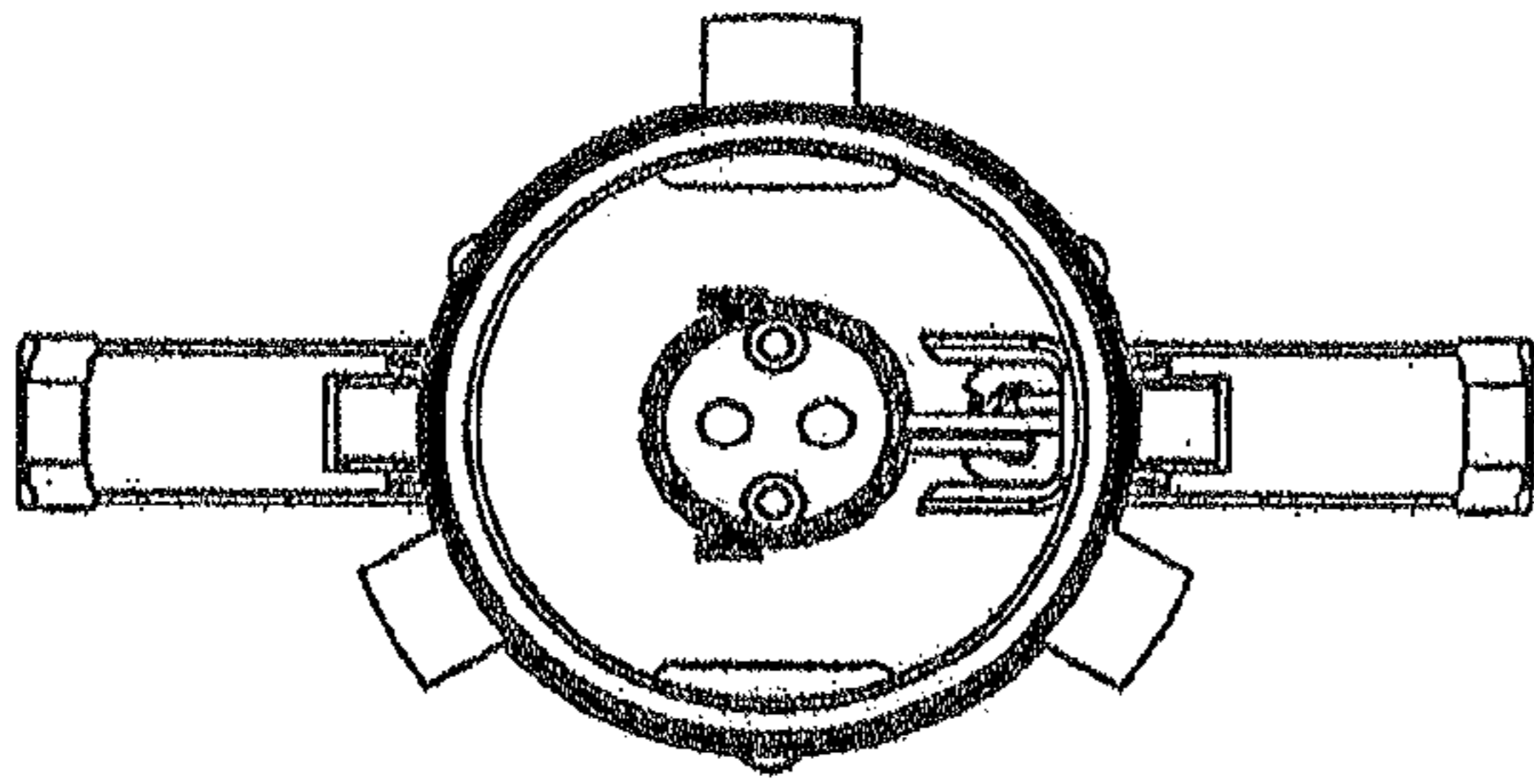


FIG. 11

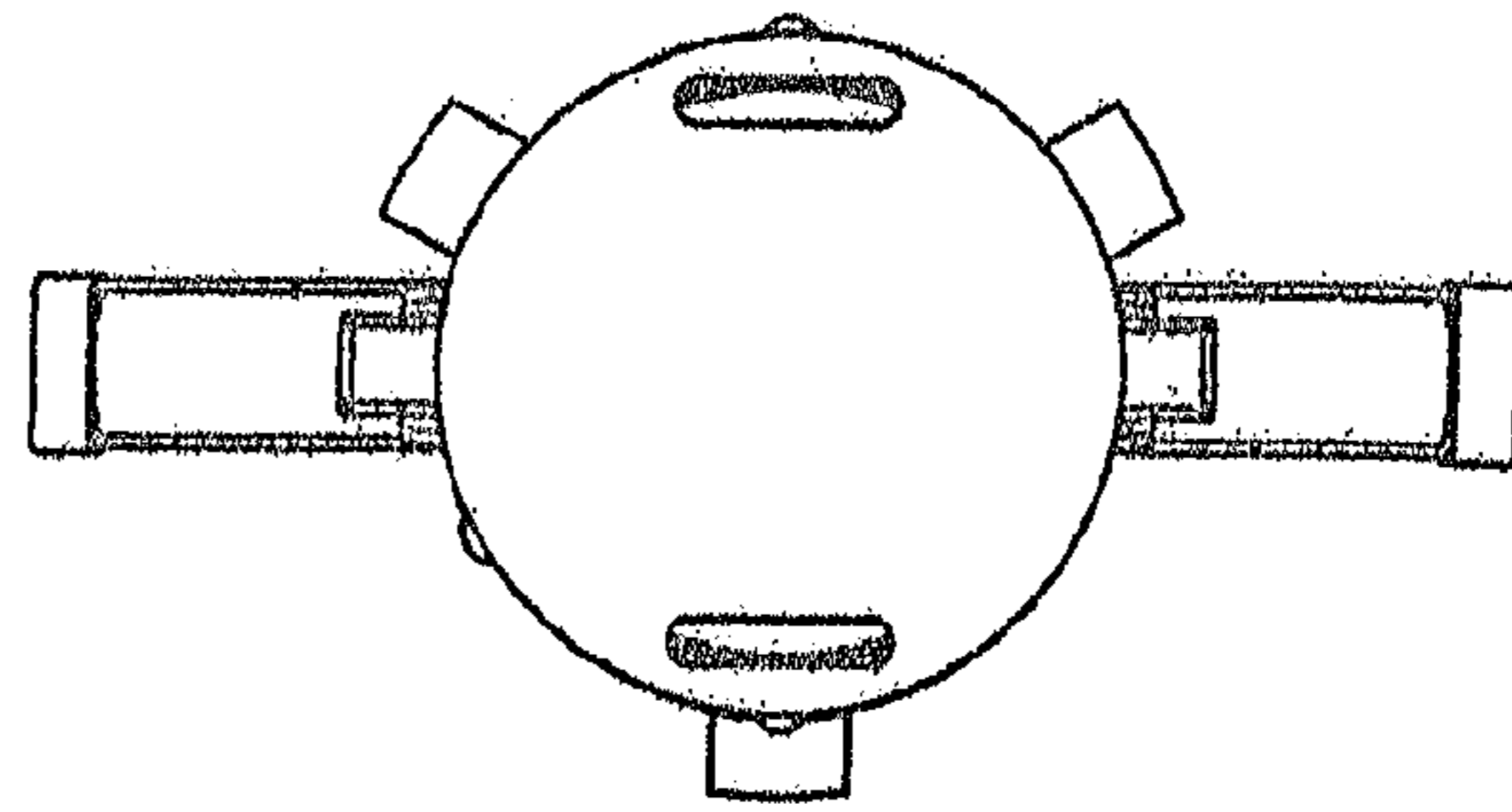


FIG. 12

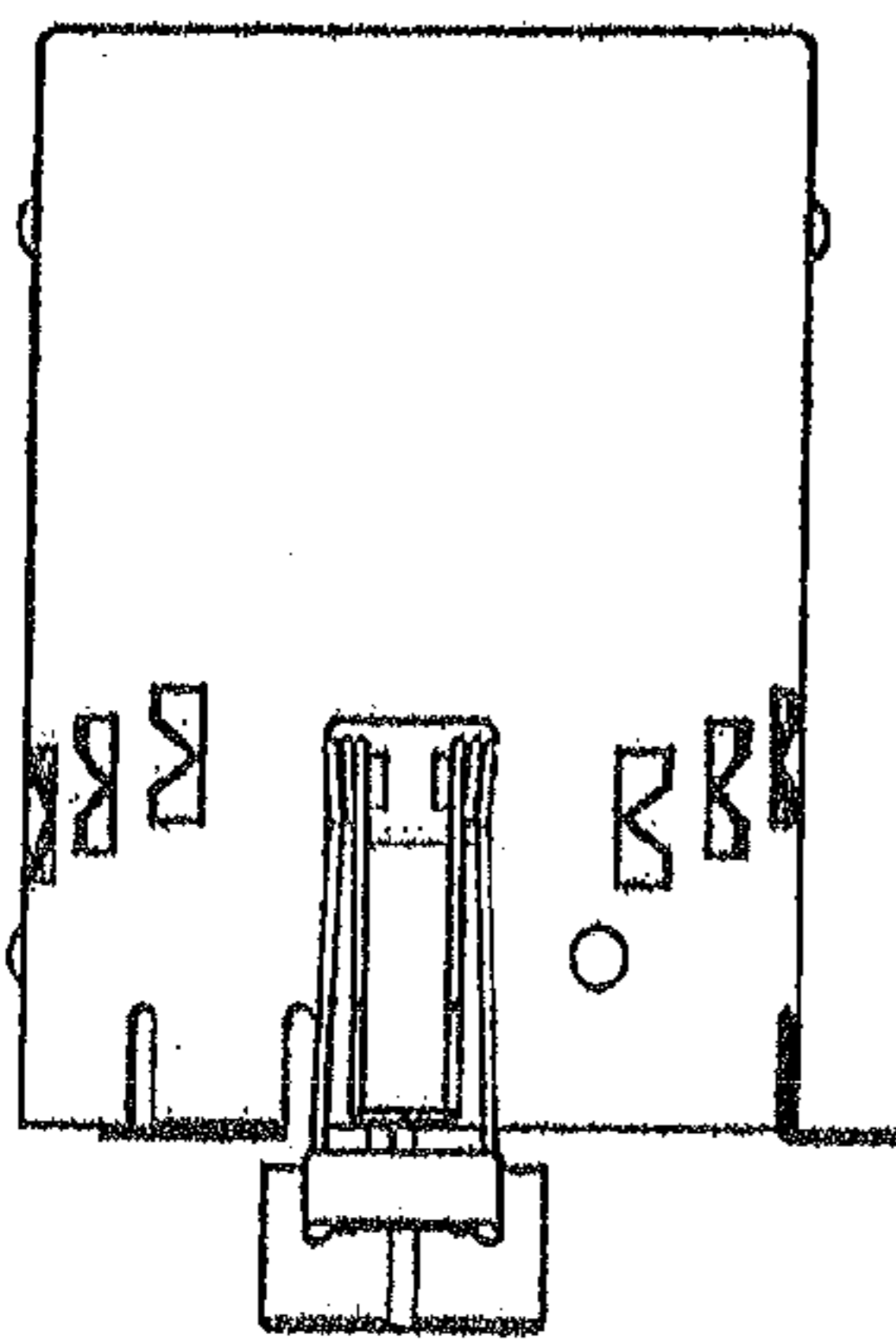


FIG. 13

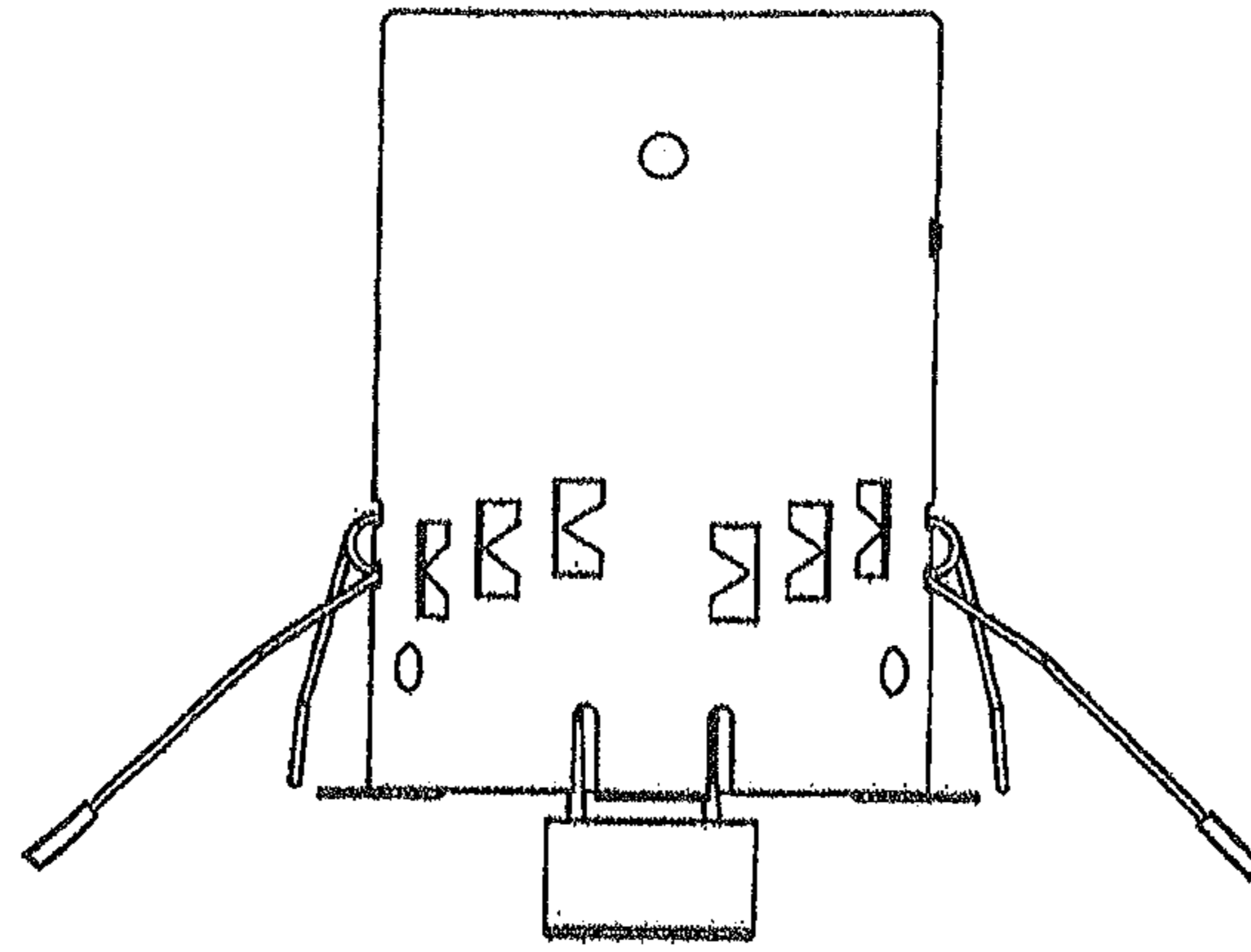


FIG. 14

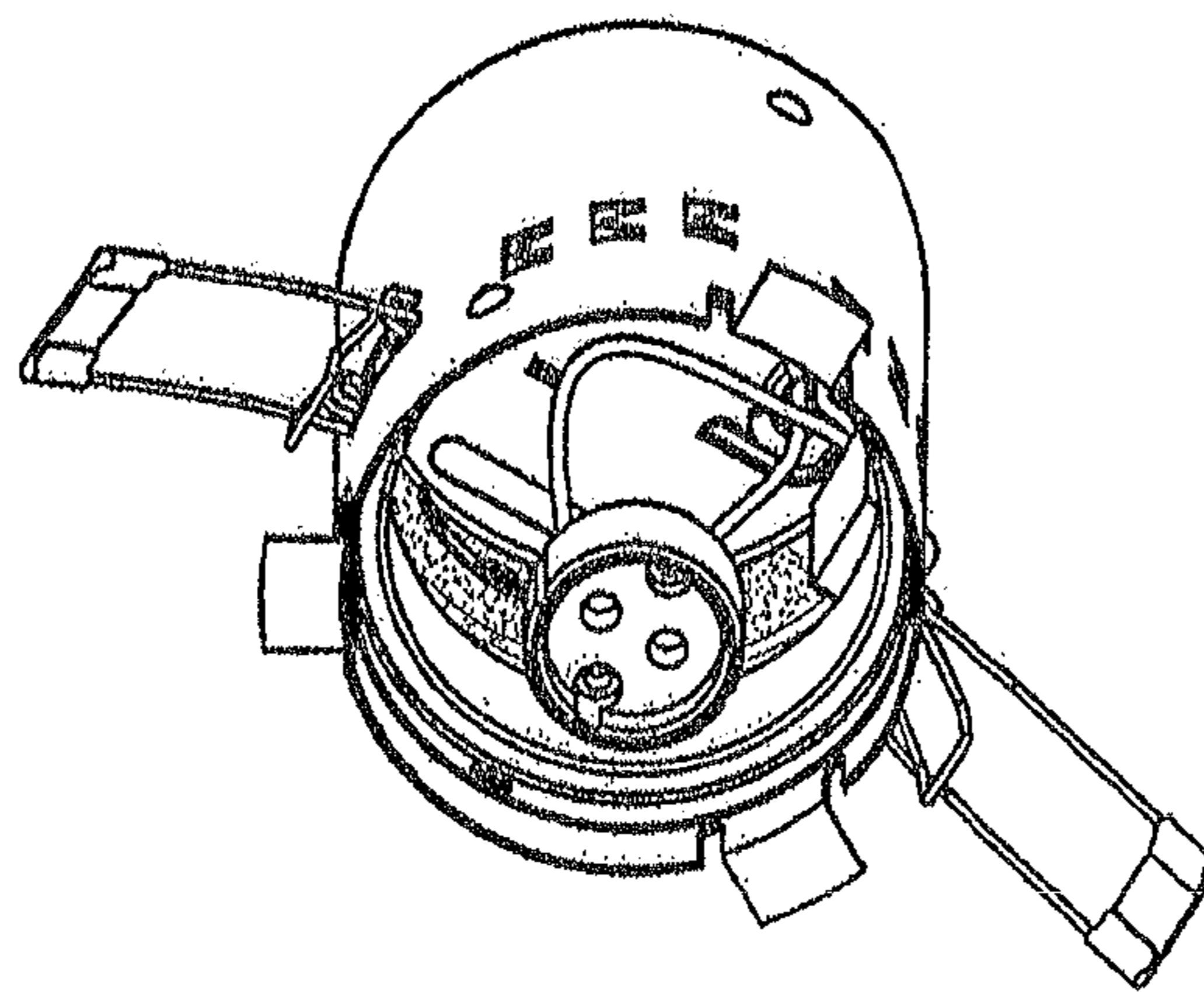


FIG. 15