



US00D704873S

(12) **United States Design Patent**  
**Cha**

(10) **Patent No.:** **US D704,873 S**

(45) **Date of Patent:** **\*\* \*May 13, 2014**

(54) **LANTERN**

(75) Inventor: **Jin-gil Cha**, Seoul (KR)

(73) Assignee: **Jinyoung I&C Co., Ltd.** (KR)

(\*) Notice: This patent is subject to a terminal disclaimer.

(\*\*) Term: **14 Years**

(21) Appl. No.: **29/402,981**

(22) Filed: **Sep. 29, 2011**

(51) **LOC (10) Cl.** ..... **26-02**

(52) **U.S. Cl.**  
USPC ..... **D26/44**

(58) **Field of Classification Search**  
USPC ..... D26/37, 38, 44, 45, 46, 49, 50;  
362/157, 158, 183, 184, 187, 188,  
362/194-199, 200-208  
See application file for complete search history.

(56) **References Cited**

**U.S. PATENT DOCUMENTS**

D409,776 S \* 5/1999 Ghode et al. .... D26/42  
D414,574 S \* 9/1999 Chen ..... D26/37

D445,932 S \* 7/2001 Ceder ..... D26/42  
D464,453 S \* 10/2002 Cramer et al. .... D26/39  
D527,129 S \* 8/2006 Hodgson ..... D26/42  
D549,373 S \* 8/2007 Osiecki et al. .... D26/44  
D614,334 S \* 4/2010 Thomson et al. .... D26/38  
D626,673 S \* 11/2010 Kovacik et al. .... D26/42  
D631,178 S \* 1/2011 Kovacik et al. .... D26/38  
D634,463 S \* 3/2011 Yuen ..... D26/48  
D640,398 S \* 6/2011 Molina et al. .... D26/38

\* cited by examiner

*Primary Examiner* — Ian Simmons

*Assistant Examiner* — Carissa C Fitts

(74) *Attorney, Agent, or Firm* — John K. Park; Park Law Firm

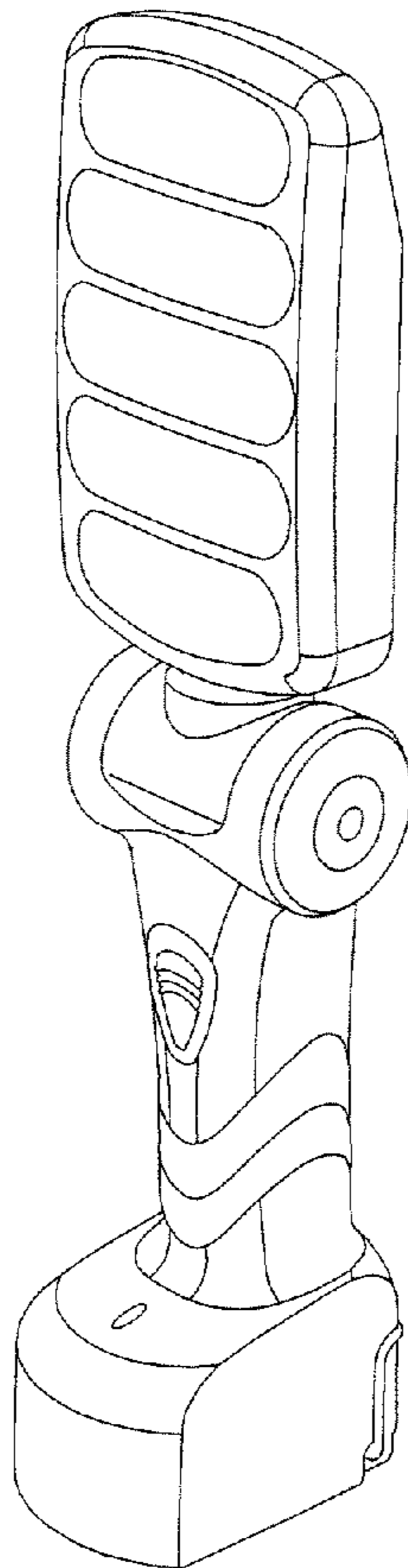
(57) **CLAIM**

The ornamental design for a lantern, as shown and described.

**DESCRIPTION**

FIG. 1 is a perspective view of the lantern showing my new design;  
FIG. 2 is a front elevational view thereof;  
FIG. 3 is a rear elevational view thereof;  
FIG. 4 is a side elevational view thereof;  
FIG. 5 is another side elevational view thereof;  
FIG. 6 is a top plan view thereof; and,  
FIG. 7 is a bottom plan view thereof.

**1 Claim, 7 Drawing Sheets**



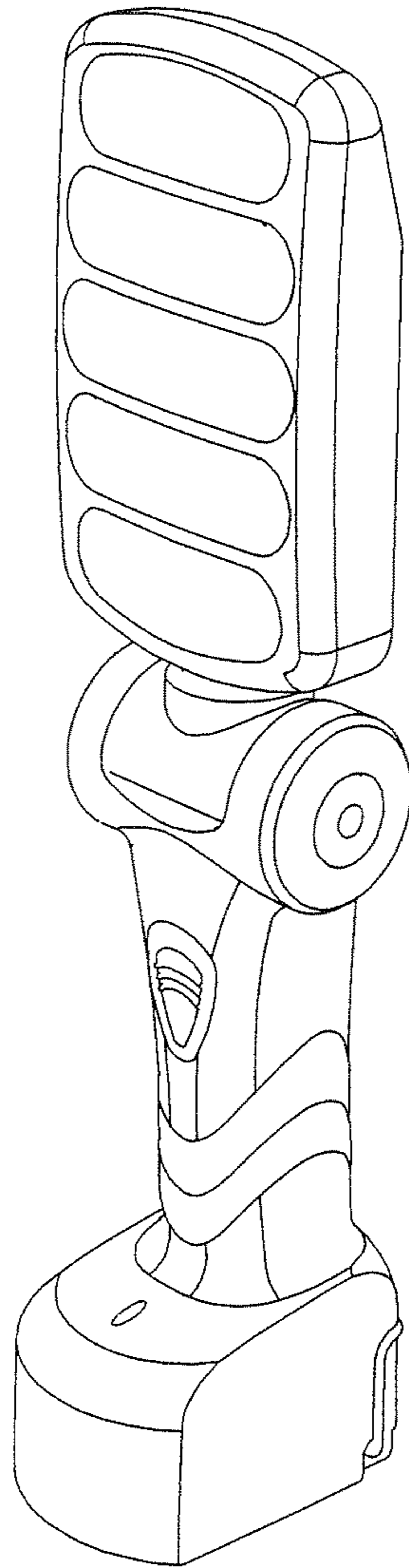


FIG. 1

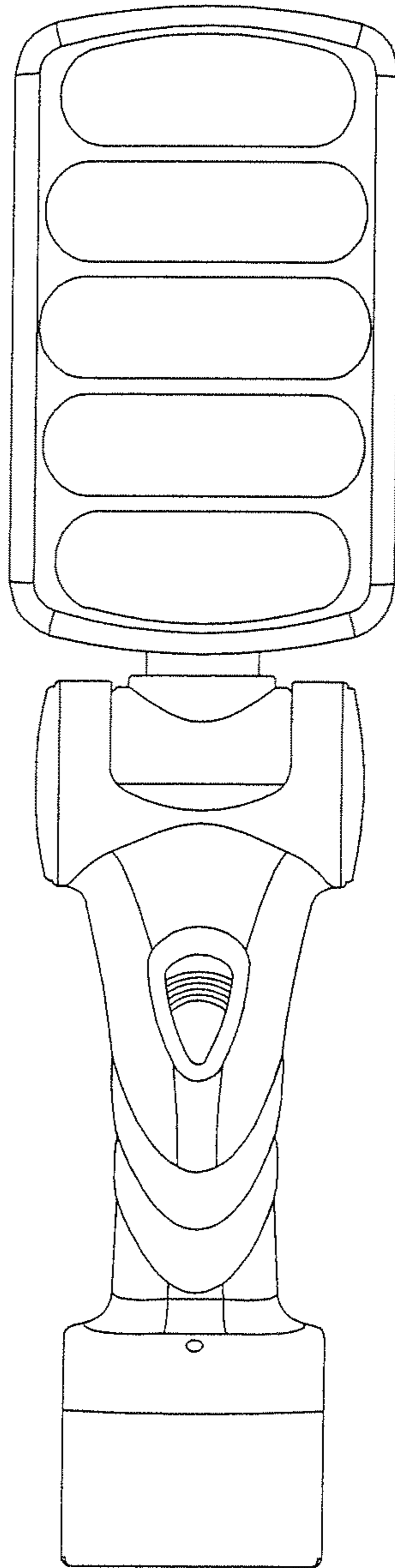


FIG. 2

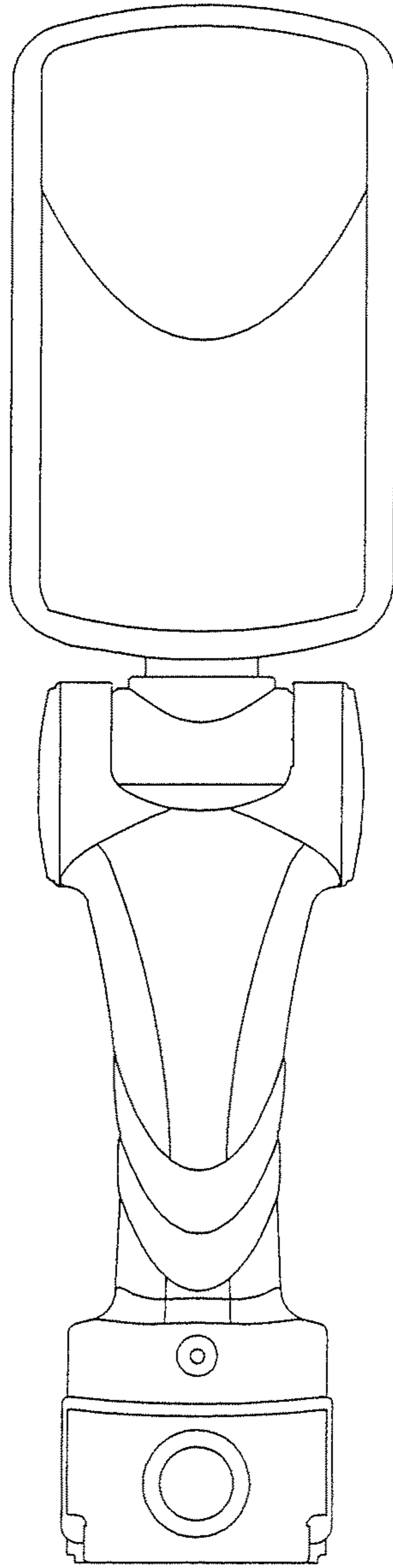


FIG. 3

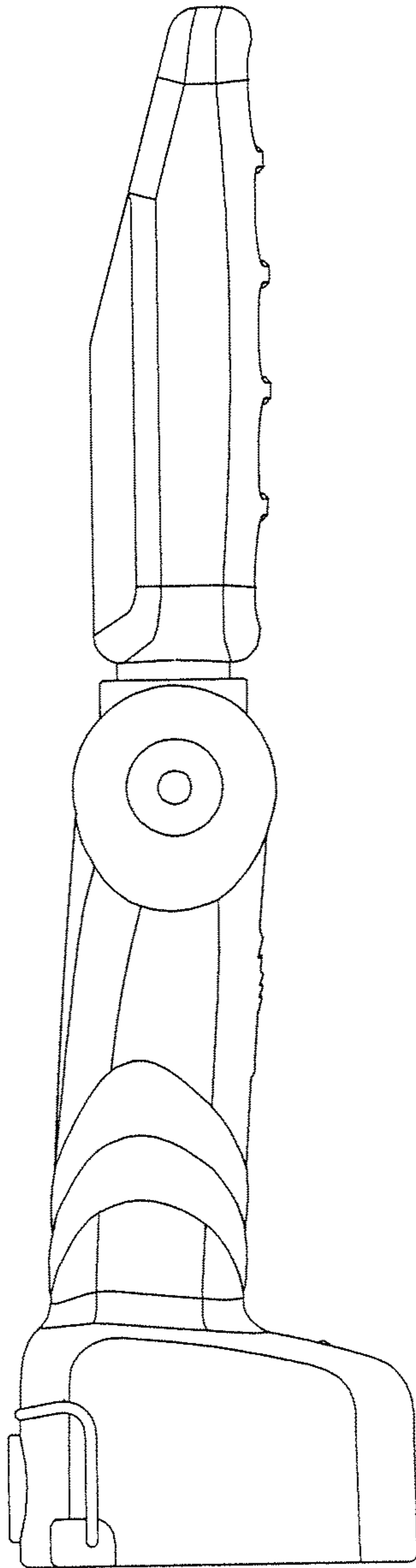


FIG. 4

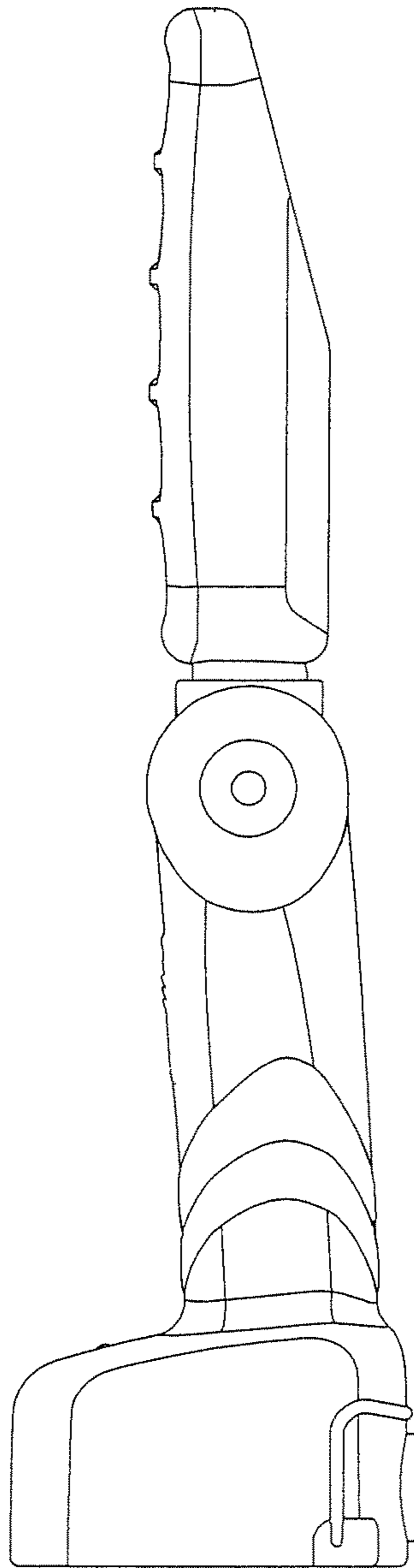


FIG. 5

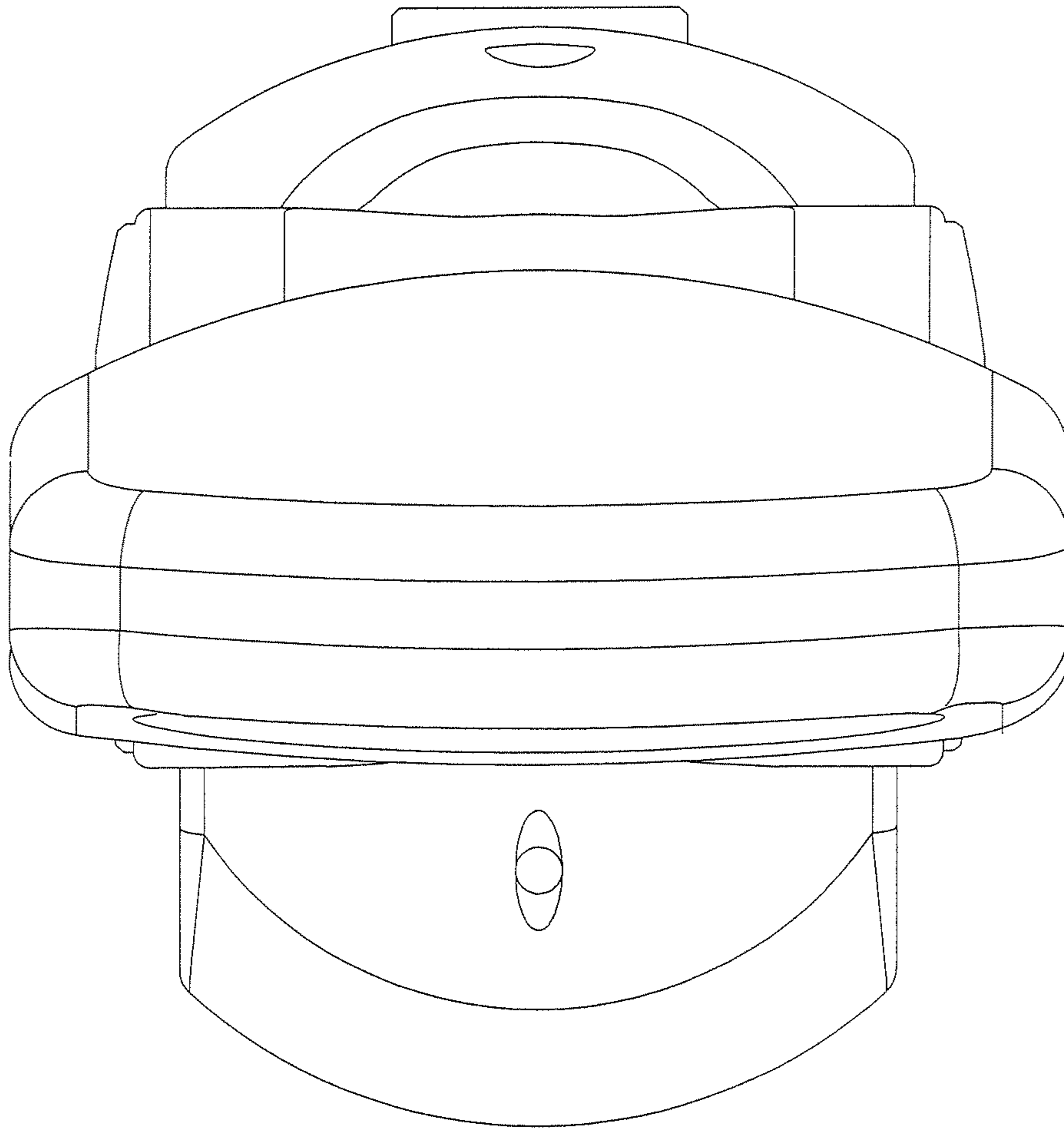


FIG. 6

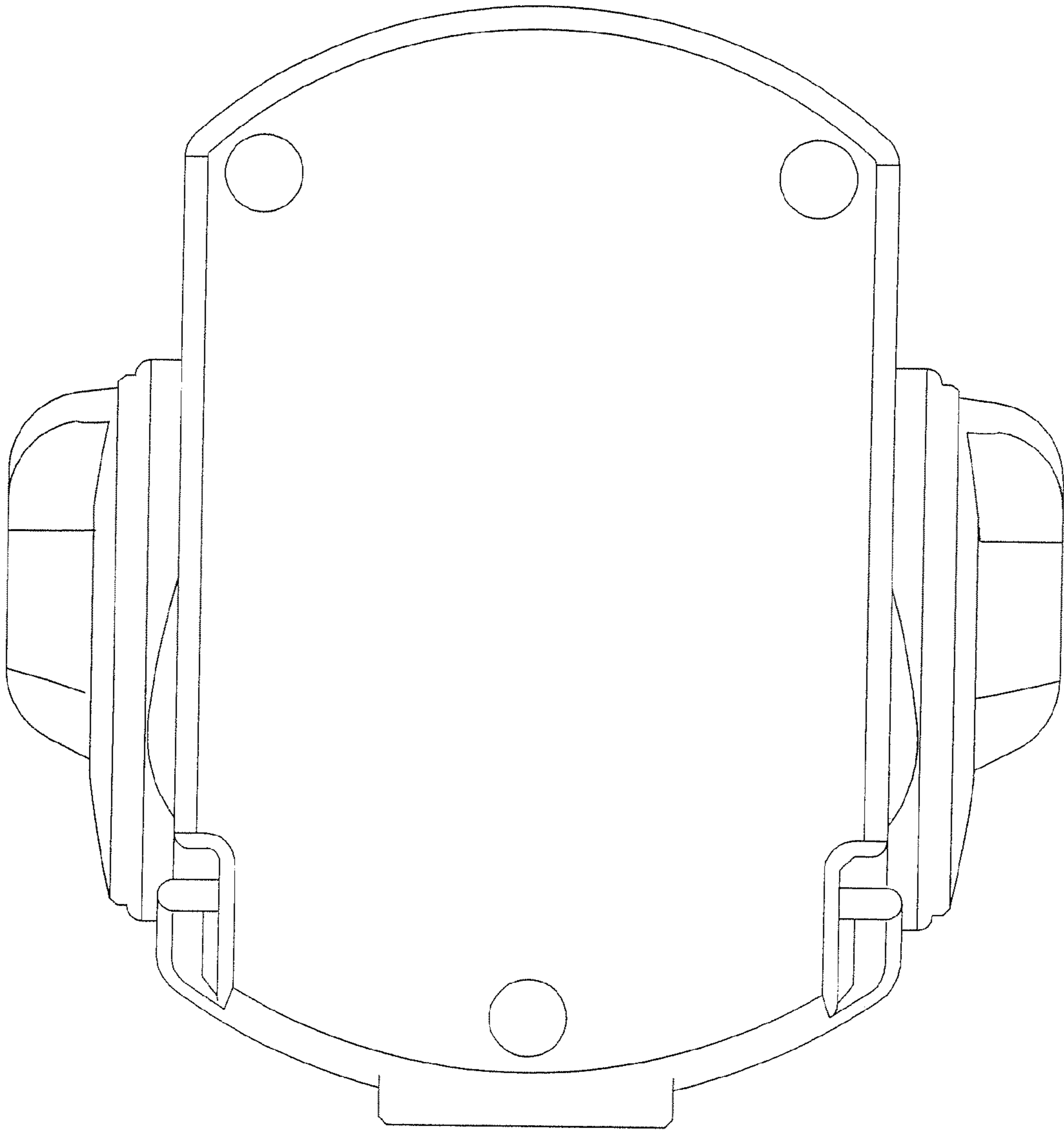


FIG. 7