



US00D704871S

(12) **United States Design Patent**
Huang

(10) **Patent No.:** **US D704,871 S**

(45) **Date of Patent:** **** May 13, 2014**

(54) **VEHICLE LAMP**

(75) Inventor: **Cheng-Nan Huang**, Tainan (TW)

(73) Assignee: **Sirius Light Technology Co., Ltd.**,
Tainan (TW)

(**) Term: **14 Years**

(21) Appl. No.: **29/422,423**

(22) Filed: **May 21, 2012**

(30) **Foreign Application Priority Data**

Apr. 11, 2012 (TW) 101301994

(51) **LOC (10) CL.** **26-06**

(52) **U.S. Cl.**
USPC **D26/28**

(58) **Field of Classification Search**
USPC D26/28-36; 362/459-468, 475-478,
362/485-487
See application file for complete search history.

(56) **References Cited**

U.S. PATENT DOCUMENTS

D550,380 S * 9/2007 Lin D26/28
D560,291 S * 1/2008 Koyama D26/28

D560,832 S * 1/2008 Hsu D26/28
D561,358 S * 2/2008 Tachibana D26/28
D561,359 S * 2/2008 Hsu D26/28
D563,576 S * 3/2008 Hanaoka D26/28
D569,533 S * 5/2008 Hsu D26/28
D570,007 S * 5/2008 Hsu D26/28
D593,232 S * 5/2009 Koman et al. D26/28
D690,853 S * 10/2013 Huang D26/28

* cited by examiner

Primary Examiner — Marcus Jackson

(74) *Attorney, Agent, or Firm* — Caesar, Rivise, Bernstein,
Cohen & Pokotilow, Ltd.

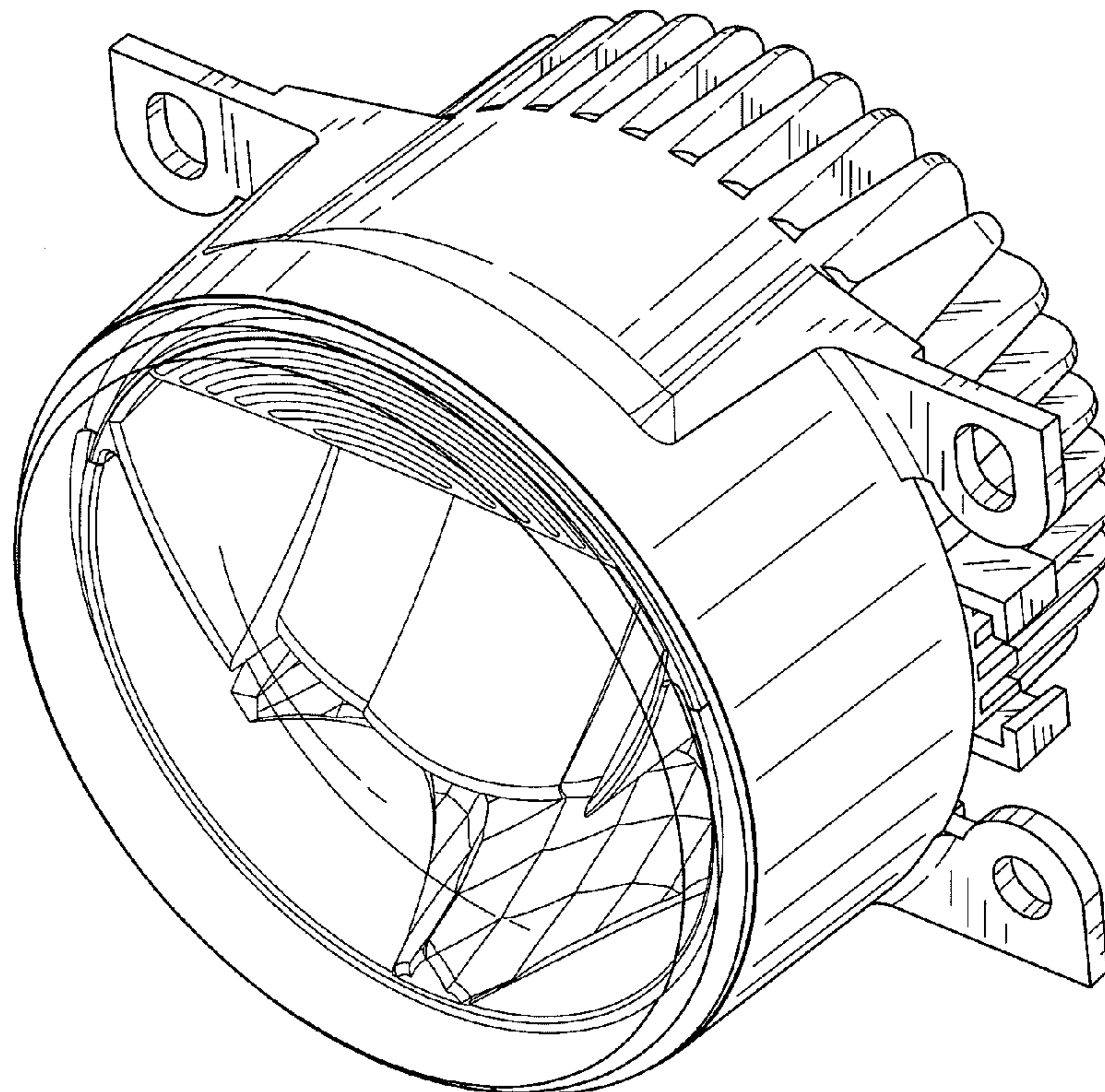
(57) **CLAIM**

The ornamental design for vehicle lamp, as shown and described.

DESCRIPTION

FIG. 1 is a perspective view of vehicle lamp showing my new design;
FIG. 2 is a front elevational view thereof;
FIG. 3 is a rear elevational view thereof;
FIG. 4 is a left side elevational view thereof;
FIG. 5 is a right side elevational view thereof;
FIG. 6 is a top plan view thereof; and,
FIG. 7 is a bottom plan view thereof.

1 Claim, 4 Drawing Sheets



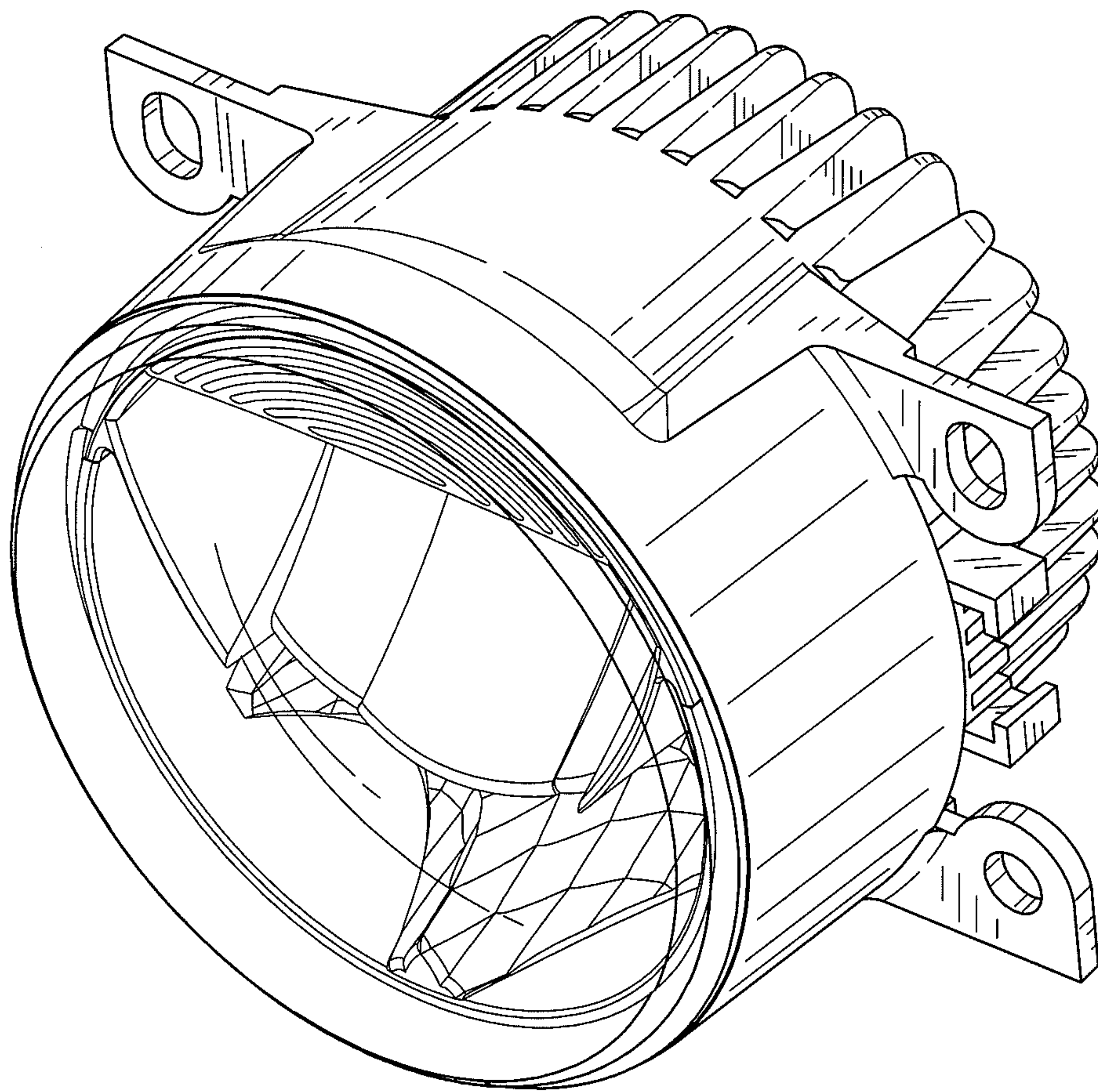


FIG. 1

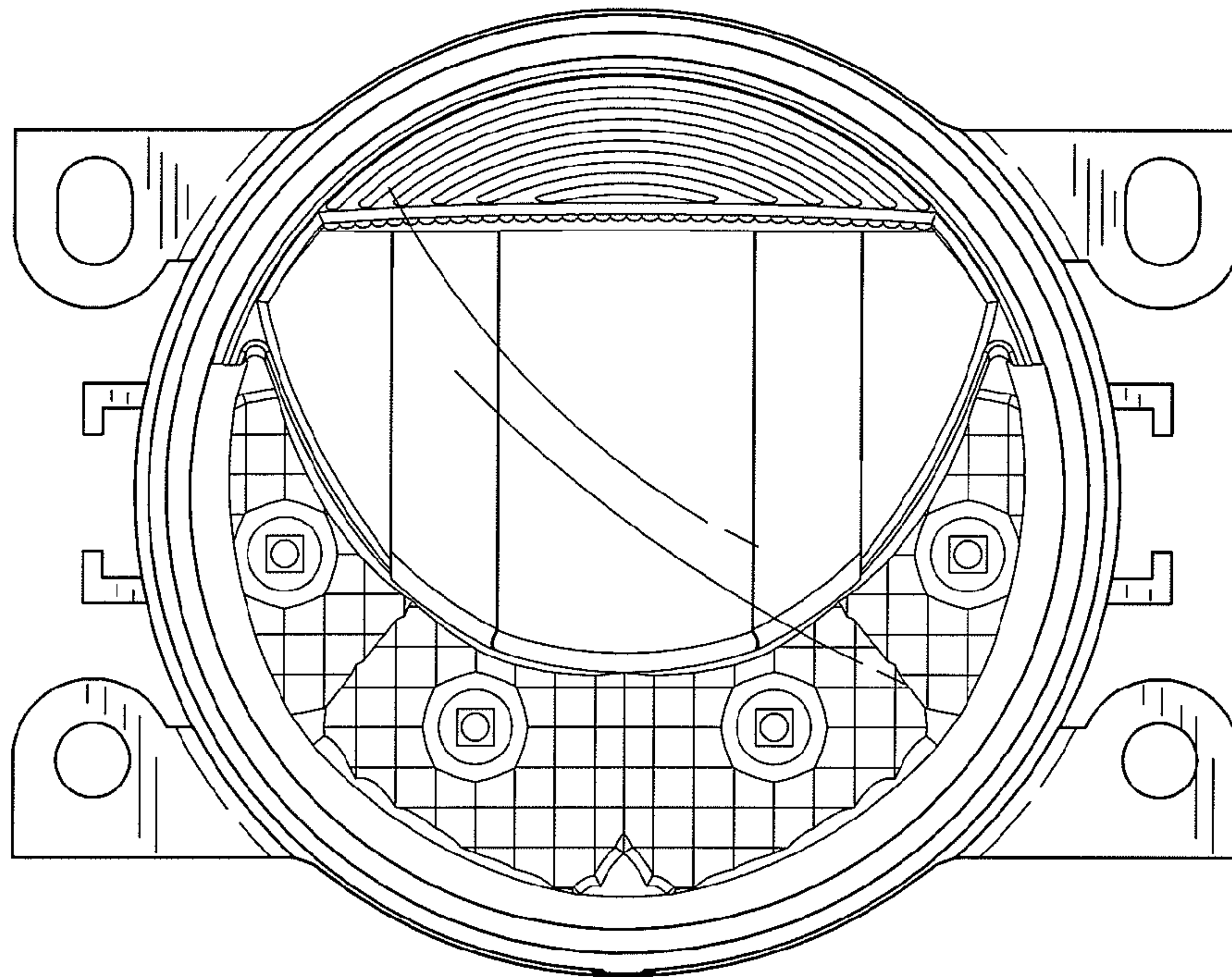


FIG. 2

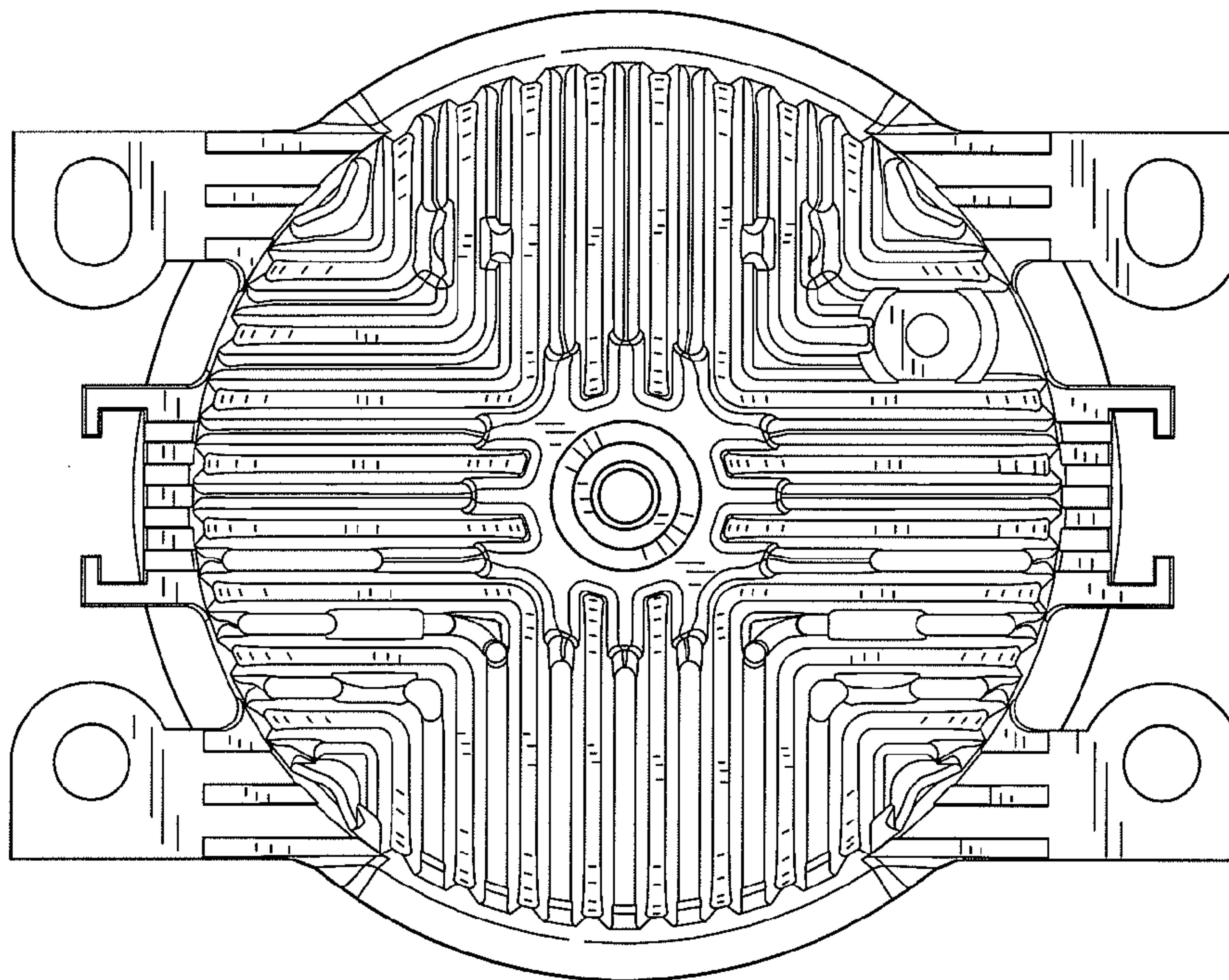


FIG. 3

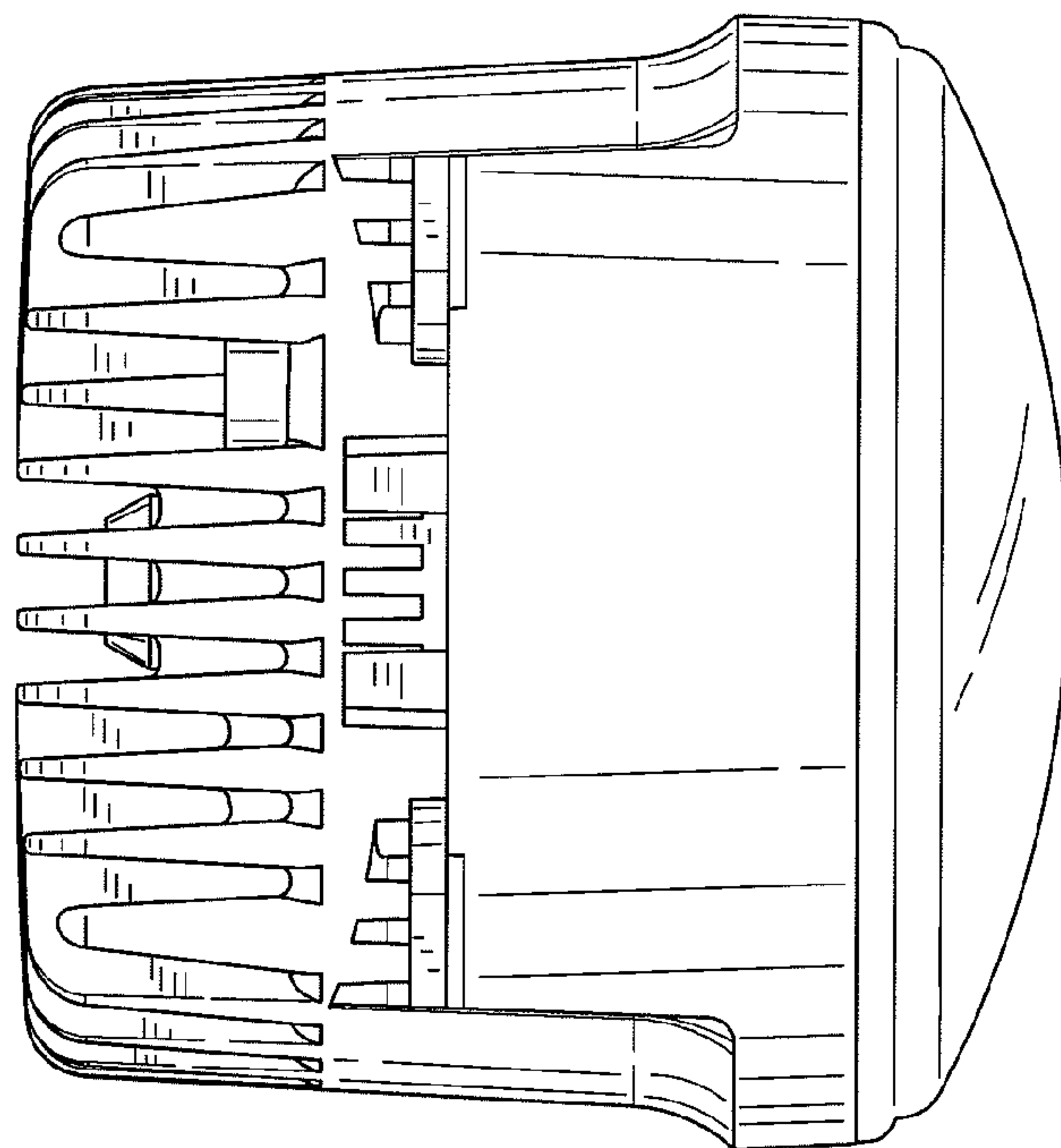


FIG. 4

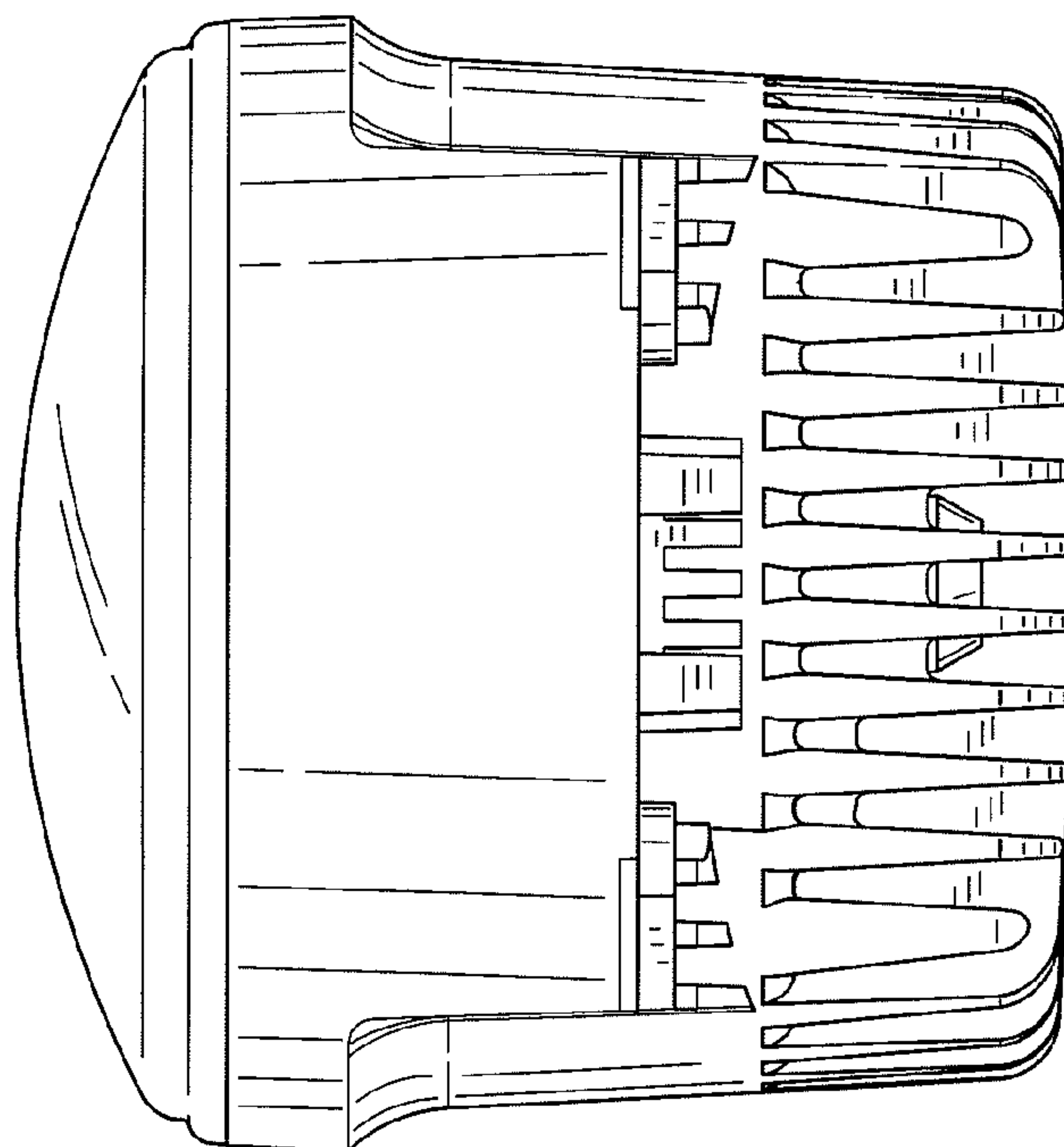


FIG. 5

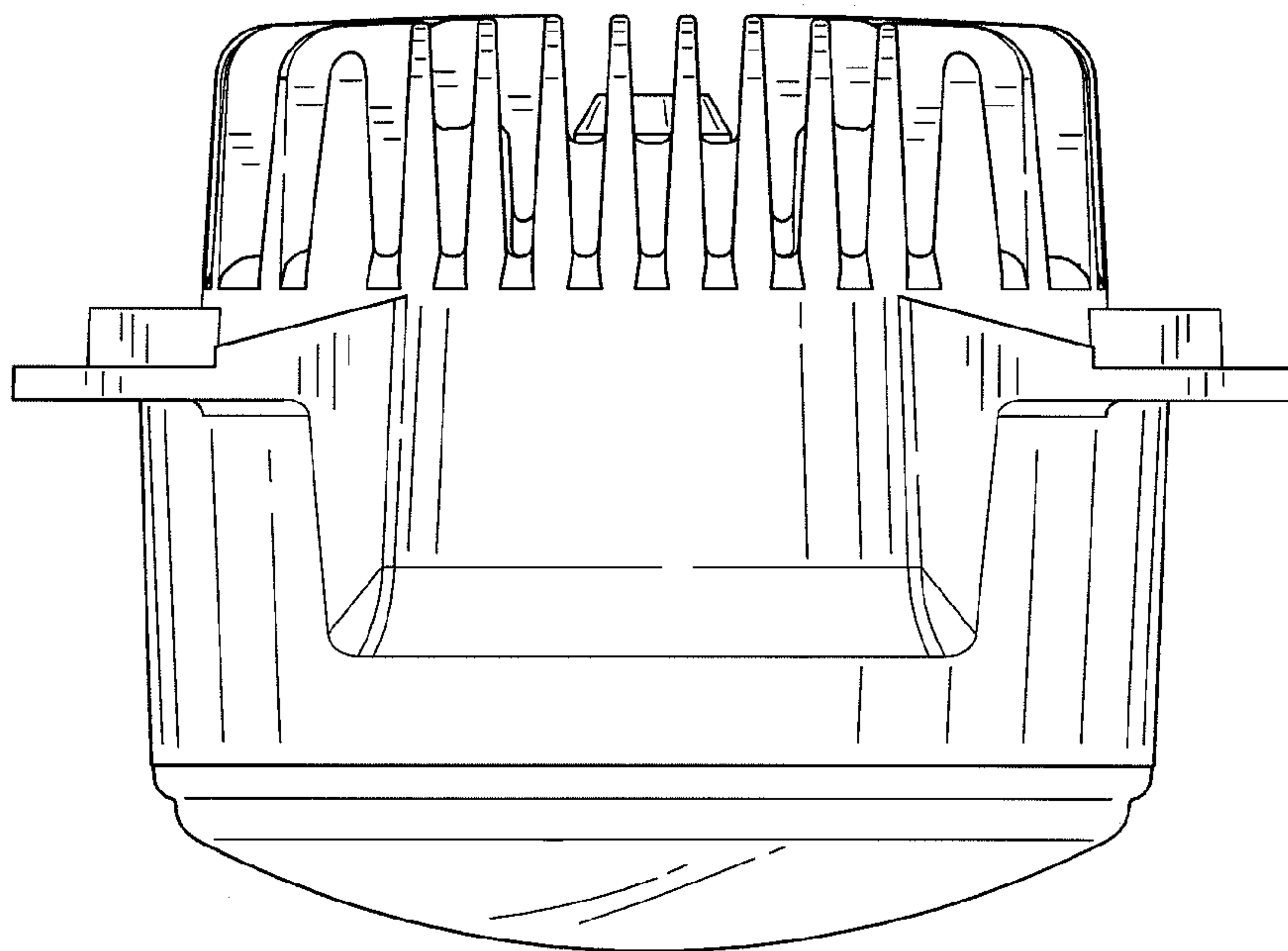


FIG. 6

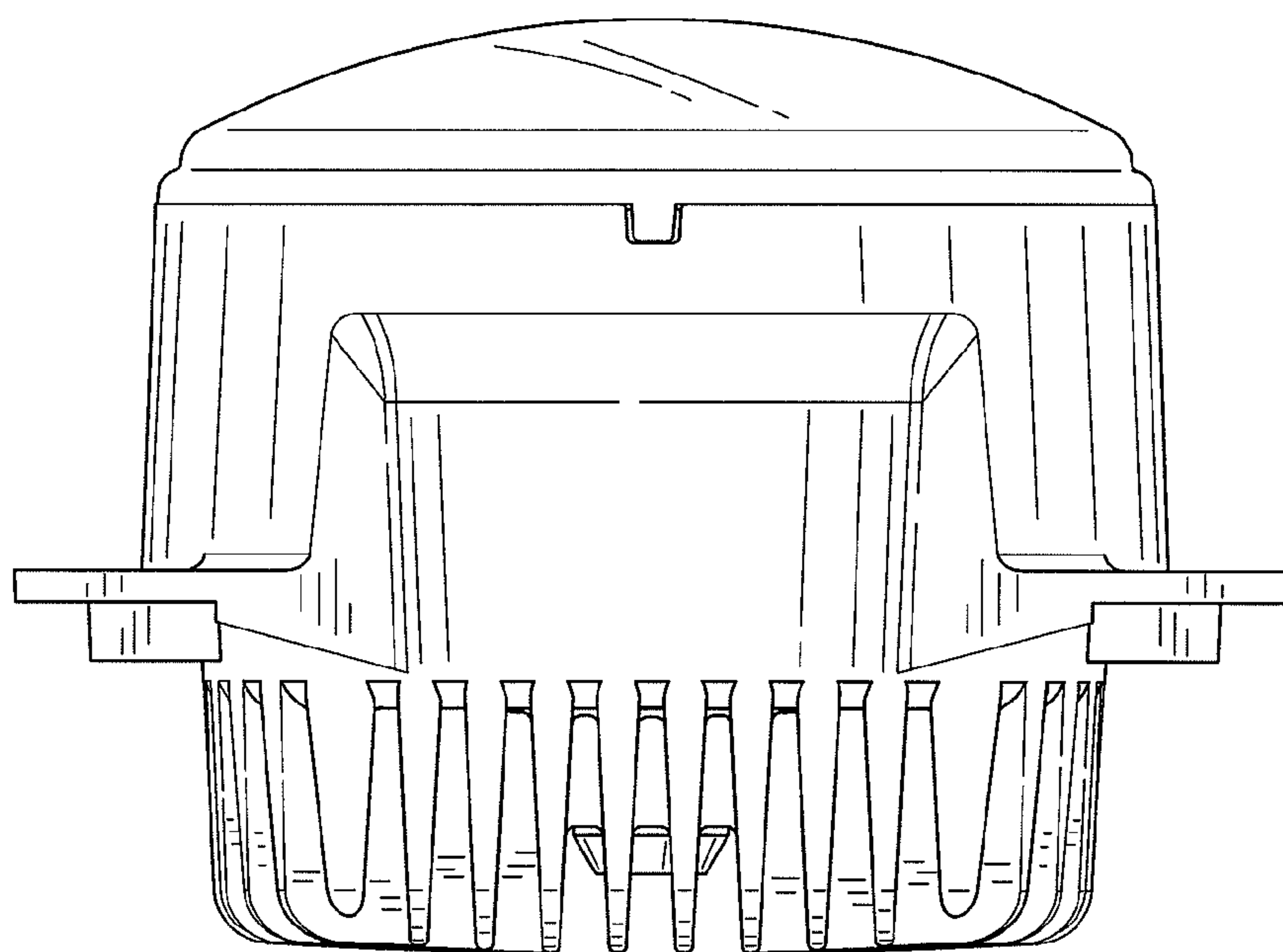


FIG. 7