



US00D704870S

(12) **United States Design Patent**  
**Kim et al.**

(10) **Patent No.:** **US D704,870 S**

(45) **Date of Patent:** **\*\* May 13, 2014**

(54) **HEAD LAMP FOR AUTOMOBILES**

(75) Inventors: **Gyu-Bong Kim**, Seoul (KR); **Sung-Uk Choi**, Seoul (KR); **Mun-Hyo Yoon**, Seoul (KR)

(73) Assignee: **Kia Motors Corporation**, Seoul (KR)

(\*\*) Term: **14 Years**

(21) Appl. No.: **29/395,996**

(22) Filed: **Apr. 30, 2012**

(30) **Foreign Application Priority Data**

Mar. 9, 2012 (KR) ..... 30-2012-0011205

(51) **LOC (10) Cl.** ..... **26-06**

(52) **U.S. Cl.**  
USPC ..... **D26/28**

(58) **Field of Classification Search**  
USPC ..... D26/28-36; 362/459-468, 475-478,  
362/485-487  
See application file for complete search history.

(56) **References Cited**

**U.S. PATENT DOCUMENTS**

D538,956 S \* 3/2007 Ishii ..... D26/28  
D561,358 S \* 2/2008 Tachibana ..... D26/28

D582,587 S \* 12/2008 Yang ..... D26/28  
D593,232 S \* 5/2009 Koman et al. .... D26/28  
D635,694 S \* 4/2011 Yang et al. .... D26/28

\* cited by examiner

*Primary Examiner* — Marcus Jackson

(74) *Attorney, Agent, or Firm* — Edwards Wildman Palmer LLP

(57) **CLAIM**

The ornamental design for a head lamp for automobiles, as shown and described.

**DESCRIPTION**

FIG. 1 is a perspective view of a head lamp for automobiles according to the present invention.

FIG. 2 is a front view of the head lamp for automobiles of FIG. 1.

FIG. 3 is a rear view of the head lamp for automobiles of FIG. 1.

FIG. 4 is a left side view of the head lamp for automobiles of FIG. 1.

FIG. 5 is a right side view of the head lamp for automobiles of FIG. 1.

FIG. 6 is a top view of the head lamp for automobiles of FIG. 1; and,

FIG. 7 is a bottom view of the head lamp for automobiles of FIG. 1.

**1 Claim, 7 Drawing Sheets**



FIG. 1



**FIG. 2**



FIG. 3

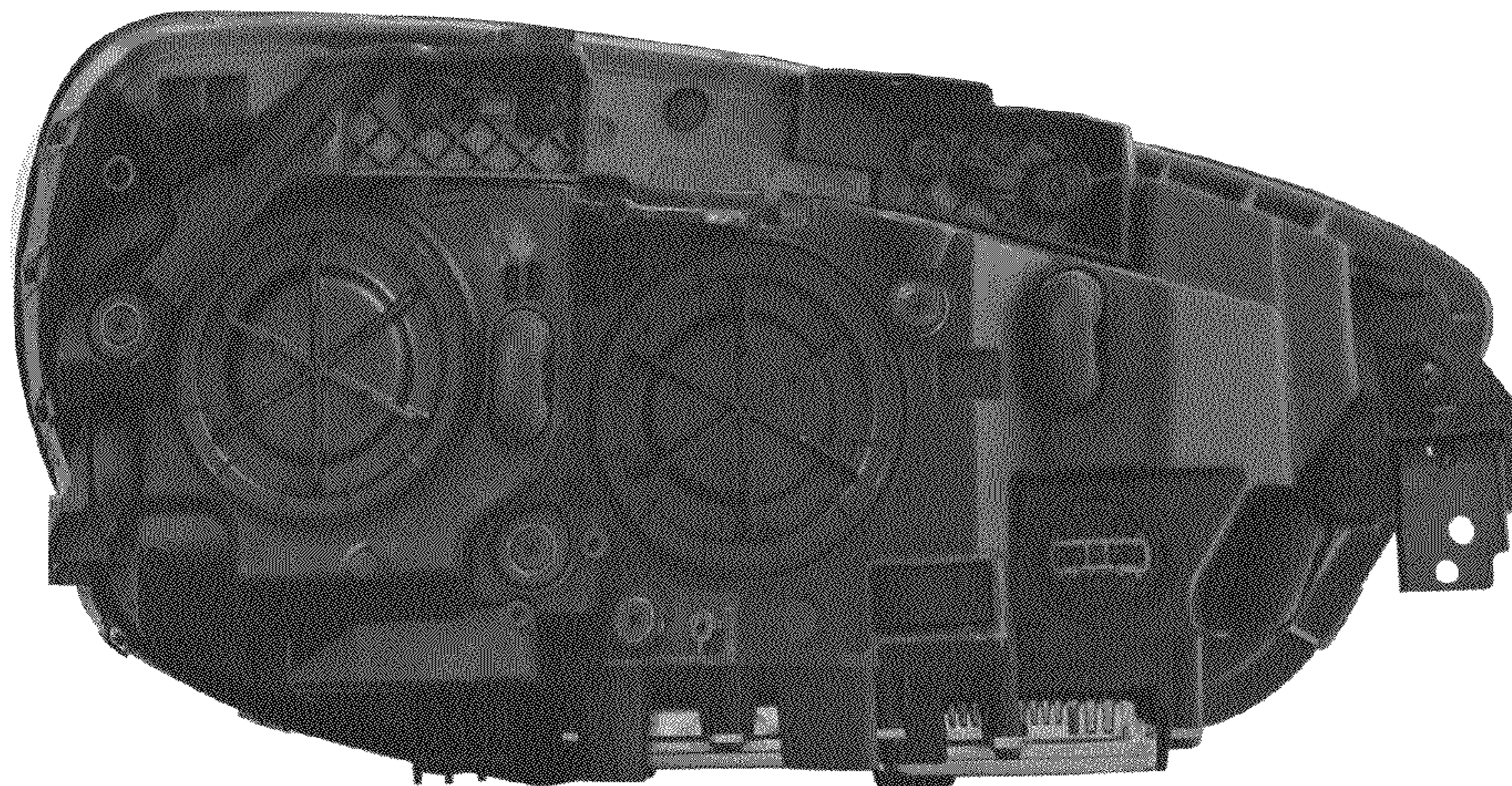


FIG. 4

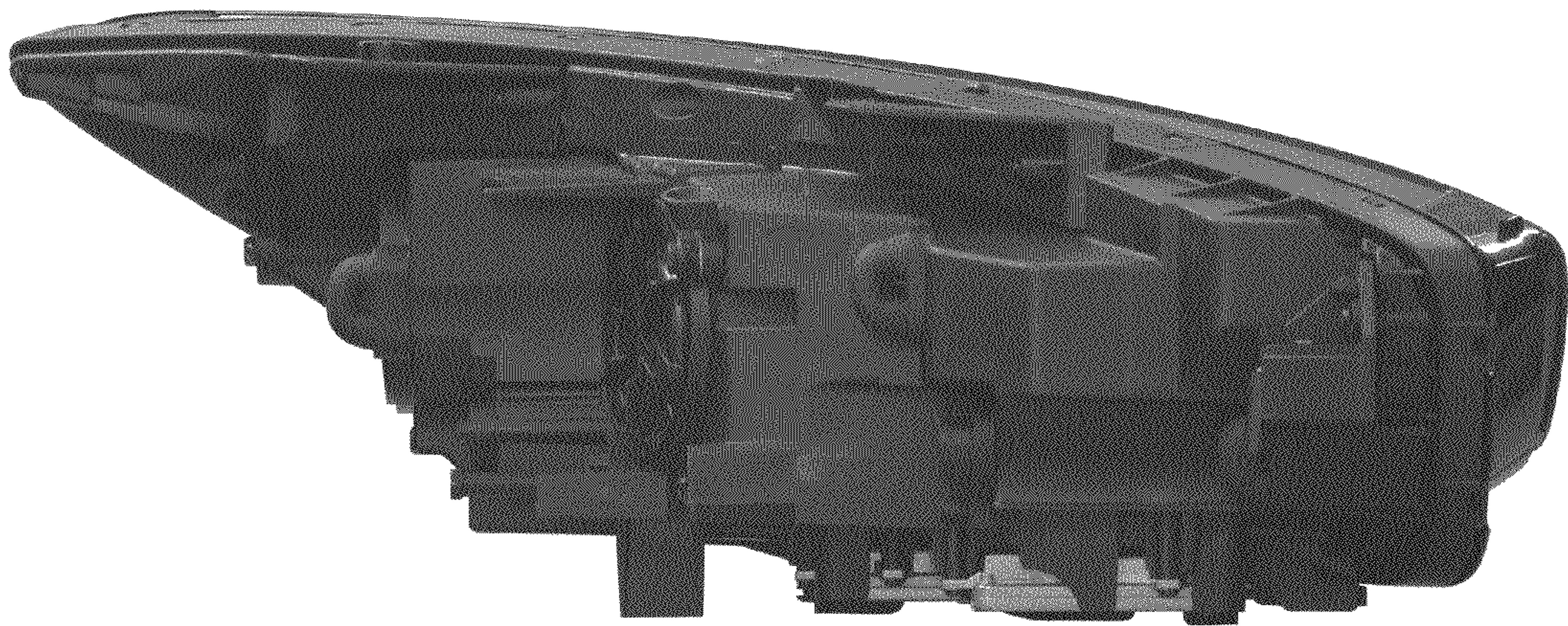


FIG. 5



FIG. 6



FIG. 7

