



US00D704869S

(12) **United States Design Patent**
Mozdzer

(10) **Patent No.:** **US D704,869 S**

(45) **Date of Patent:** **** May 13, 2014**

(54) **NIGHTLIGHT**

(71) Applicant: **Hubbell Incorporated**, Shelton, CT (US)

(72) Inventor: **Mark A. Mozdzer**, Derby, CT (US)

(73) Assignee: **Hubbell Incorporated**, Shelton, CT (US)

(**) Term: **14 Years**

(21) Appl. No.: **29/449,668**

(22) Filed: **Mar. 15, 2013**

(51) **LOC (10) Cl.** **26-05**

(52) **U.S. Cl.**
USPC **D26/26**

(58) **Field of Classification Search**
USPC D26/24, 26, 28, 34, 51, 58, 72, 74, 76, D26/78, 80, 83-92, 104, 113, 118-120, D26/139; D14/138 AA, 138 R, 138 AD, D14/138 G, 248, 203.1-203.7; D13/103, D13/117, 119, 139.3; D10/114.1; 362/147, 362/155-157, 223, 362, 431, 432, 473-476, 362/487-493, 641, 642, 646, 652
See application file for complete search history.

(56) **References Cited**

U.S. PATENT DOCUMENTS

D196,137 S *	8/1963	Frederick	D26/24
3,265,888 A	8/1966	Adolphson, Jr.	
3,588,489 A	6/1971	Gaines	
3,739,226 A	6/1973	Seiter et al.	
4,000,405 A	12/1976	Horwinski	
4,872,081 A	10/1989	Murphy et al.	
D307,059 S *	4/1990	Szymanek	D26/74
D400,281 S *	10/1998	Kerr	D26/74

D427,887 S	7/2000	Leopold et al.	
6,350,039 B1 *	2/2002	Lee	362/147
6,386,725 B1	5/2002	Amburgey	
6,547,411 B1	4/2003	Dornbusch	
6,989,489 B1	1/2006	Savicki, Jr.	
D514,590 S *	2/2006	Naruki	D14/203.3
7,045,975 B2	5/2006	Evans	
7,285,721 B1	10/2007	Savicki, Jr.	
7,323,638 B1	1/2008	Radosavljevic	
D576,760 S *	9/2008	Ottobre	D26/118
7,586,718 B1	9/2009	Radosavljevic et al.	
7,619,861 B2	11/2009	Weeks et al.	
D609,650 S	2/2010	Chou et al.	

(Continued)

OTHER PUBLICATIONS

Bryant Electric Product Datasheet, Apr. 12, 2012.

Primary Examiner — Garth Rademaker

Assistant Examiner — LLorelys Martinez-Rivera

(74) *Attorney, Agent, or Firm* — Garrett V. Davis; Mark S. Bicks; Alfred N. Goodman

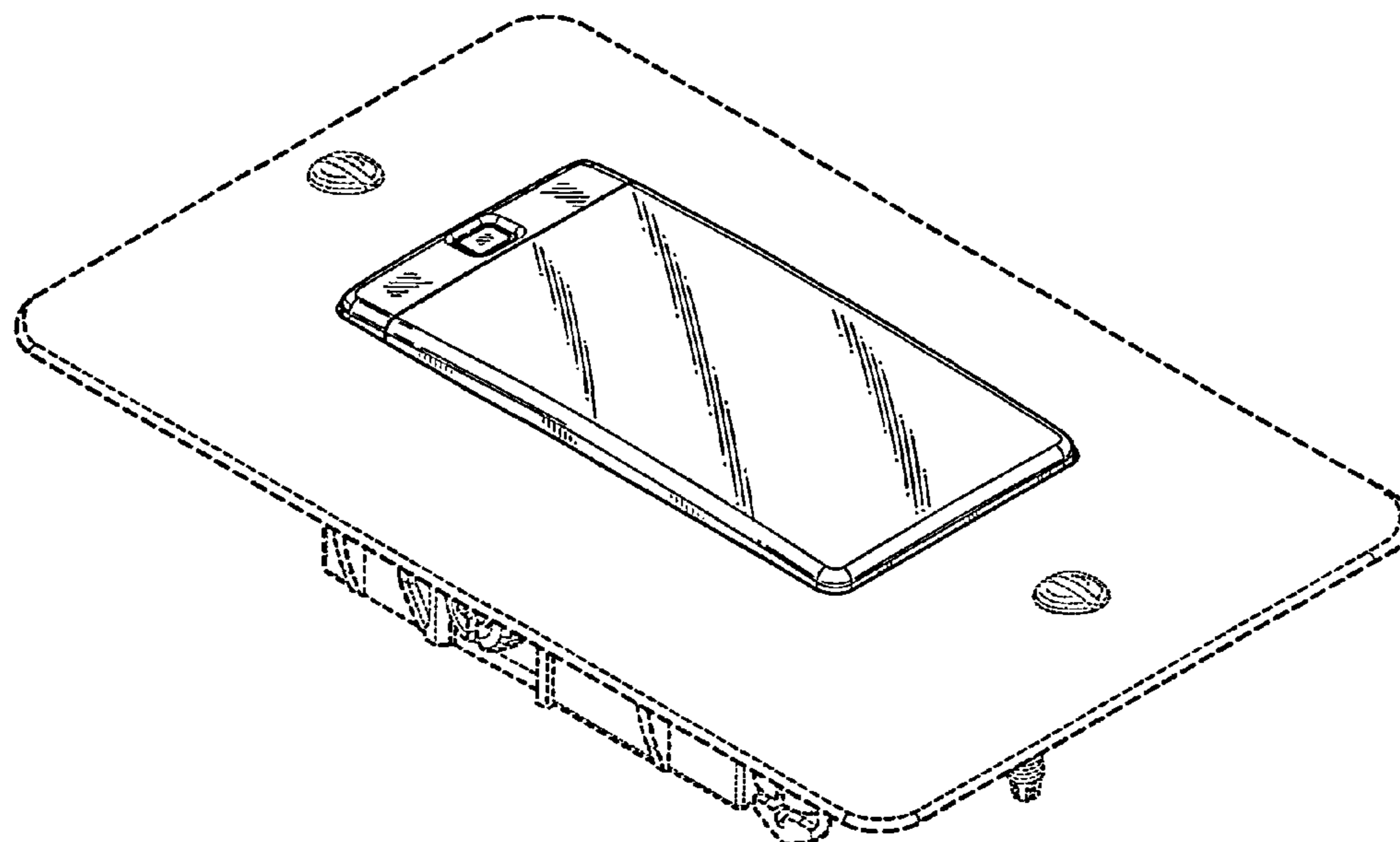
(57) **CLAIM**

The ornamental design for a nightlight, as shown and described.

DESCRIPTION

FIG. 1 is a perspective view of a nightlight, shown mounted in a faceplate;
FIG. 2 is a top view of the nightlight of FIG. 1;
FIG. 3 is right side view of the nightlight of FIG. 1;
FIG. 4 is a left side view of the nightlight of FIG. 1;
FIG. 5 is a front view of the nightlight of FIG. 1; and,
FIG. 6 is a rear view of the nightlight of FIG. 1.
The broken lines depict environmental subject matter only and form no part of the claimed design.

1 Claim, 2 Drawing Sheets



(56)

References Cited

U.S. PATENT DOCUMENTS

7,724,557 B2	5/2010	Ganta Papa Rao Bla et al.	D674,935 S *	1/2013	Conway et al.	D26/28
7,736,174 B2	6/2010	Bhosale et al.	D676,403 S *	2/2013	Sung	D14/138 G
D619,276 S	7/2010	Choi	D685,943 S *	7/2013	Duquette et al.	D26/74
7,758,234 B1	7/2010	Savicki, Jr. et al.	D692,385 S	10/2013	Dodal et al.	
7,790,982 B2	9/2010	Weeks et al.	2003/0102944 A1	6/2003	Leopold et al.	
7,862,350 B2	1/2011	Richter et al.	2005/0254250 A1 *	11/2005	Nagai et al.	362/490
D634,276 S	3/2011	Chou	2005/0265036 A1 *	12/2005	Okabe et al.	362/488
D634,866 S	3/2011	Richter et al.	2006/0245200 A1 *	11/2006	Kuwana et al.	362/488
D638,568 S *	5/2011	Wang et al.	2008/0073117 A1	3/2008	Misener	
7,999,485 B1	8/2011	Richards et al.	2009/0073707 A1 *	3/2009	Nagai et al.	362/490
D646,255 S *	10/2011	Kim	2010/0202149 A1 *	8/2010	Tien et al.	362/362
8,120,882 B1	2/2012	Radosavljevic et al.	2010/0296304 A1 *	11/2010	Hayes et al.	362/488
8,124,898 B2	2/2012	Mathew et al.	2011/0188160 A1	8/2011	Weeks et al.	
D655,269 S *	3/2012	Kim	2011/0259665 A1 *	10/2011	Morgan et al.	362/362
D671,667 S *	11/2012	Kim et al.	2011/0305032 A1 *	12/2011	Stakoe et al.	362/492
D673,701 S *	1/2013	Davies	2012/0039086 A1	2/2012	Jansen et al.	
D674,753 S	1/2013	Jansen et al.	2012/0247935 A1	10/2012	Goyal et al.	
			2013/0039055 A1 *	2/2013	Wilson et al.	362/362
			2013/0155659 A1 *	6/2013	Ahn et al.	362/157
			2013/0170230 A1 *	7/2013	Hsieh et al.	362/362

* cited by examiner

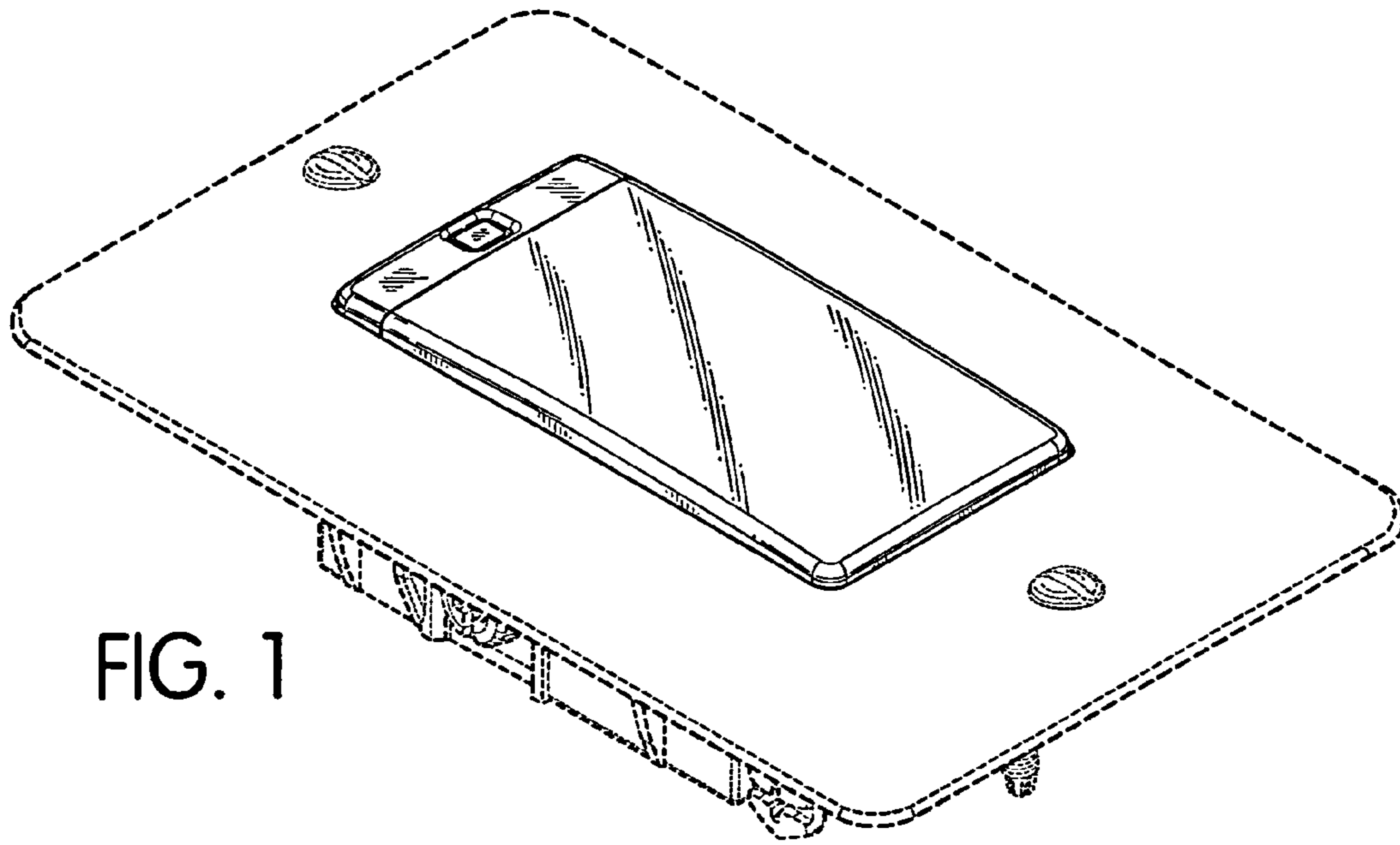


FIG. 1

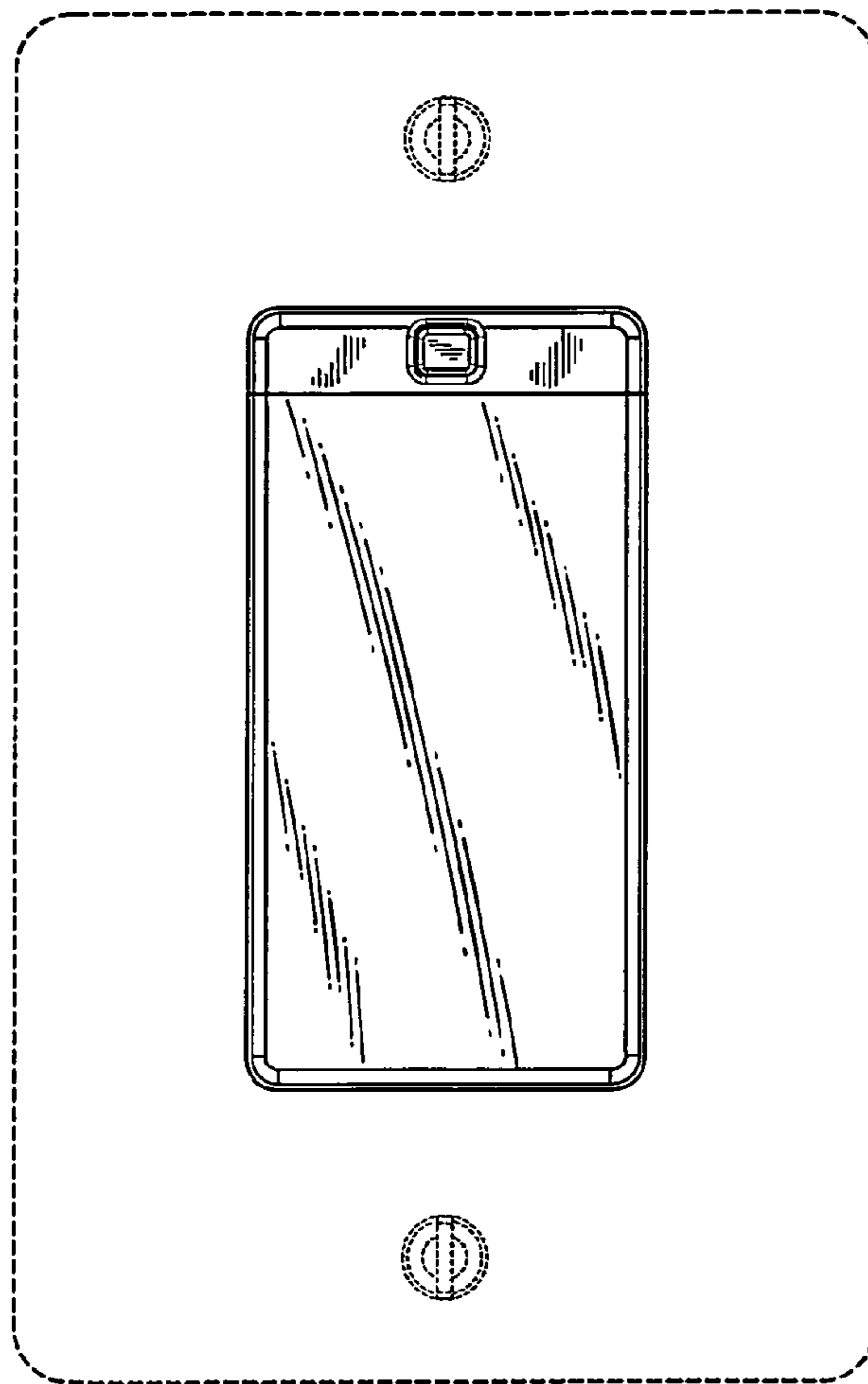


FIG. 2

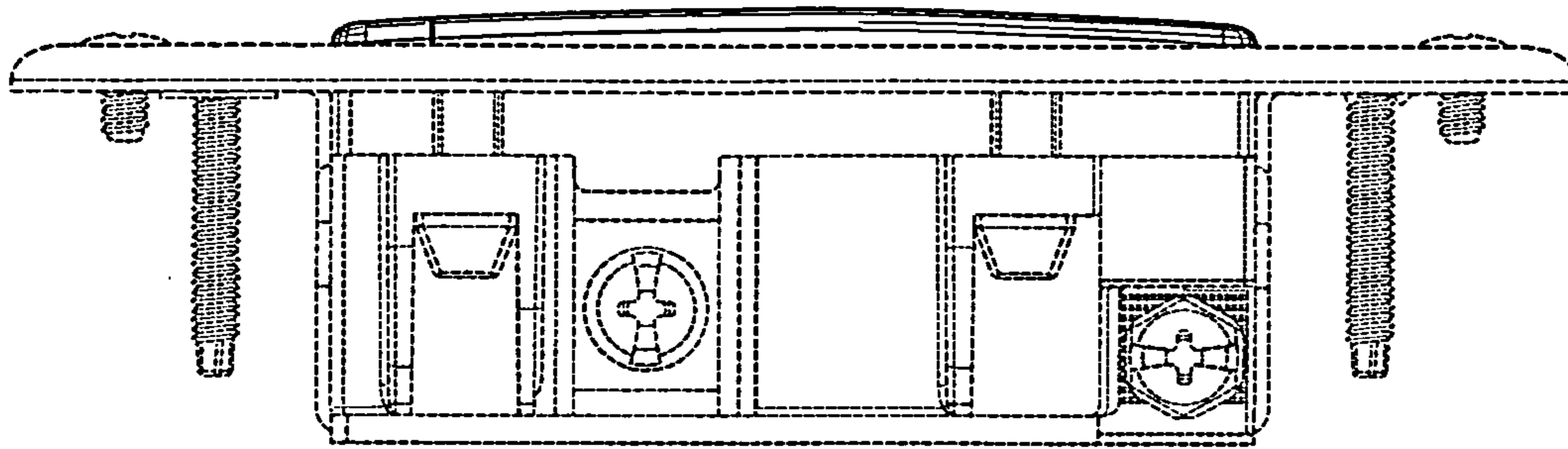


FIG. 3

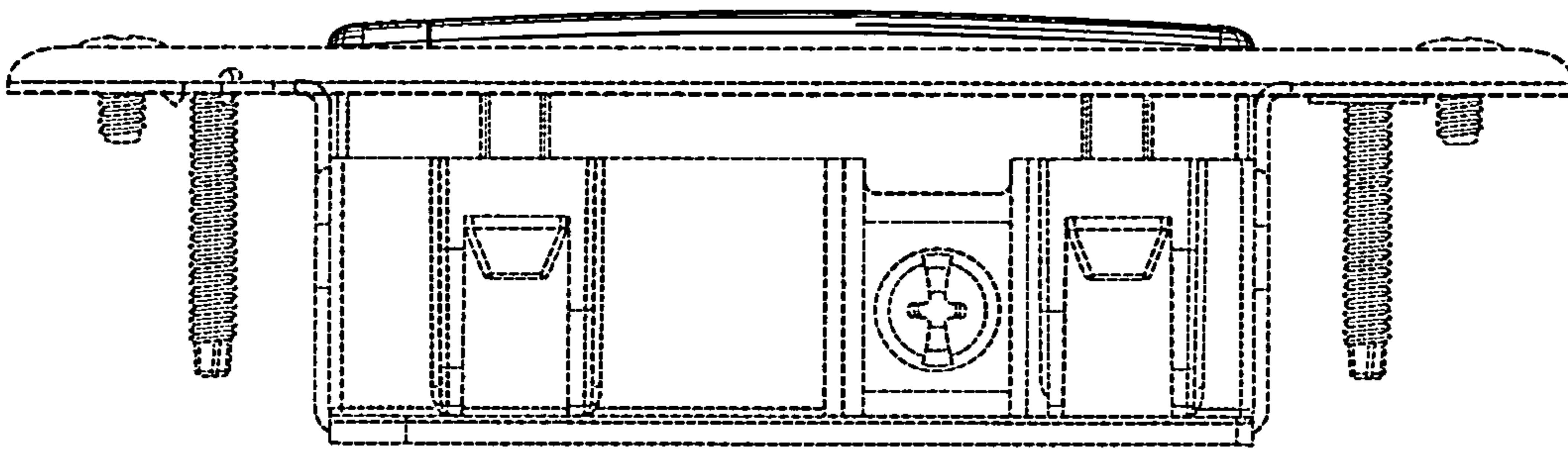


FIG. 4

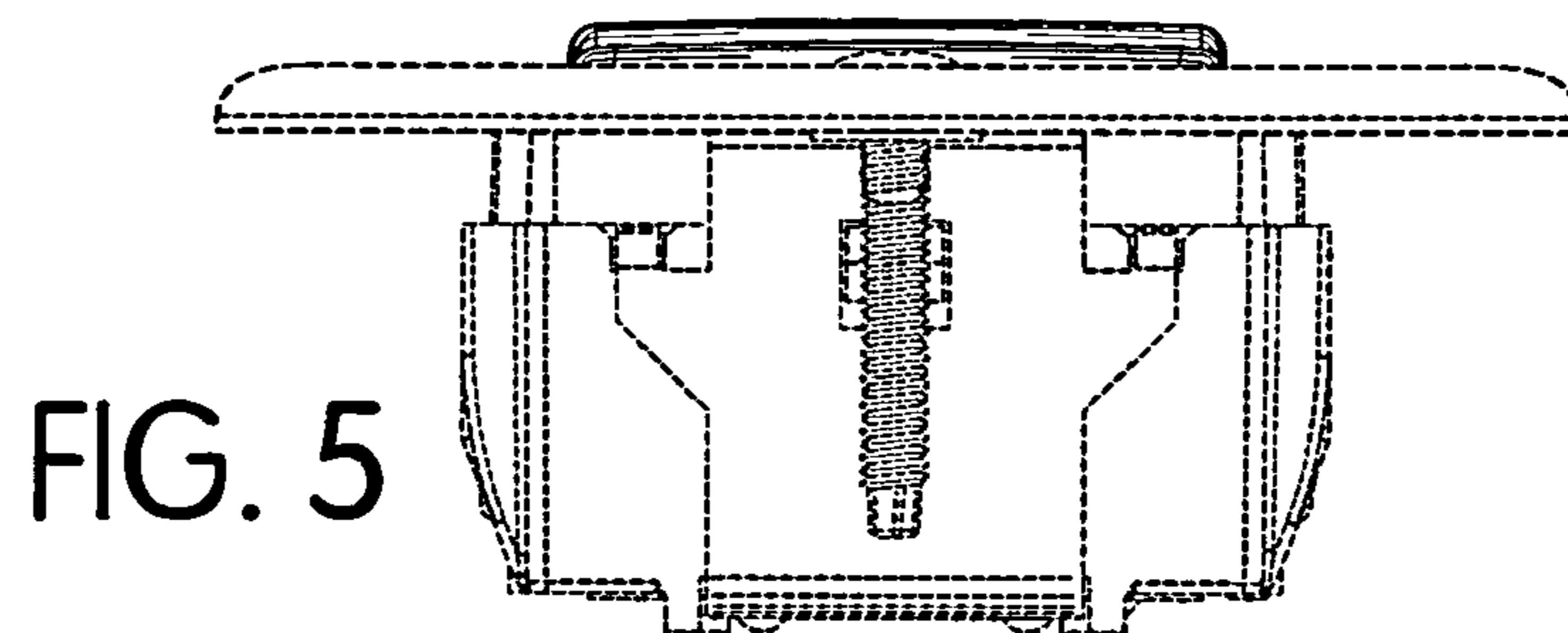


FIG. 5

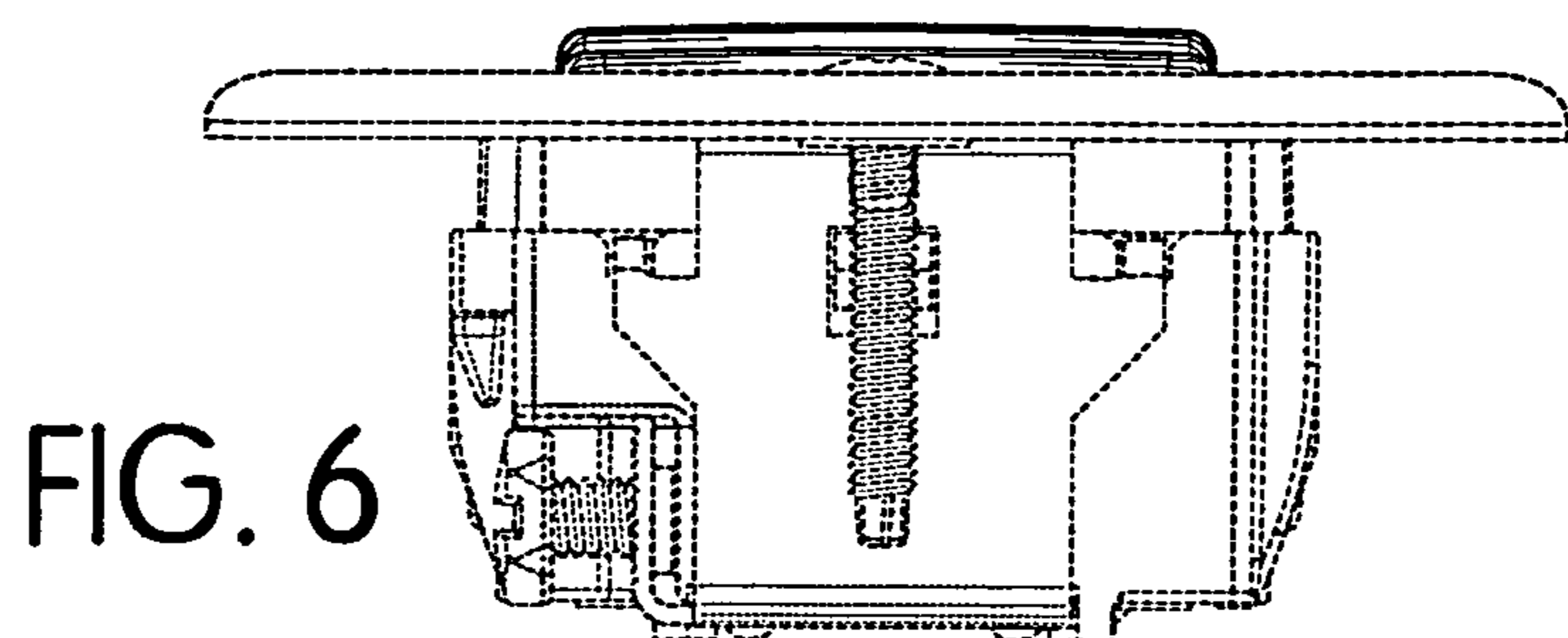


FIG. 6