



US00D704864S

(12) **United States Design Patent**
Chang

(10) **Patent No.:** **US D704,864 S**

(45) **Date of Patent:** **** May 13, 2014**

(54) **ADAPTER FOR FLOOR BOARDS**

(75) Inventor: **A-Nan Chang**, Taichung (TW)

(73) Assignee: **Tower Construction Material Corp.**,
Taichung (TW)

(**) Term: **14 Years**

(21) Appl. No.: **29/428,686**

(22) Filed: **Aug. 2, 2012**

(51) **LOC (10) Cl.** **25-01**

(52) **U.S. Cl.**
USPC **D25/199**

(58) **Field of Classification Search**
USPC D25/138, 199, 164, 55; 206/341;
52/574, 506.07, 177, 174, 403.1
See application file for complete search history.

(56) **References Cited**

U.S. PATENT DOCUMENTS

3,676,971 A * 7/1972 Dombroski 52/603
D290,881 S * 7/1987 Rittinge D25/55
D361,135 S * 8/1995 Bischel D25/55

D438,650 S * 3/2001 Neuhofer, Jr. D25/199
6,301,842 B1 * 10/2001 Chaney et al. 52/177
6,339,908 B1 * 1/2002 Chuang 52/589.1
6,637,169 B2 * 10/2003 Niese et al. 52/480
7,621,089 B2 * 11/2009 Potter 52/480
8,256,614 B1 * 9/2012 Wadsworth, Sr. 206/341

* cited by examiner

Primary Examiner — Doris Clark

(74) *Attorney, Agent, or Firm* — Muncy, Geissler, Olds &
Lowe, P.C.

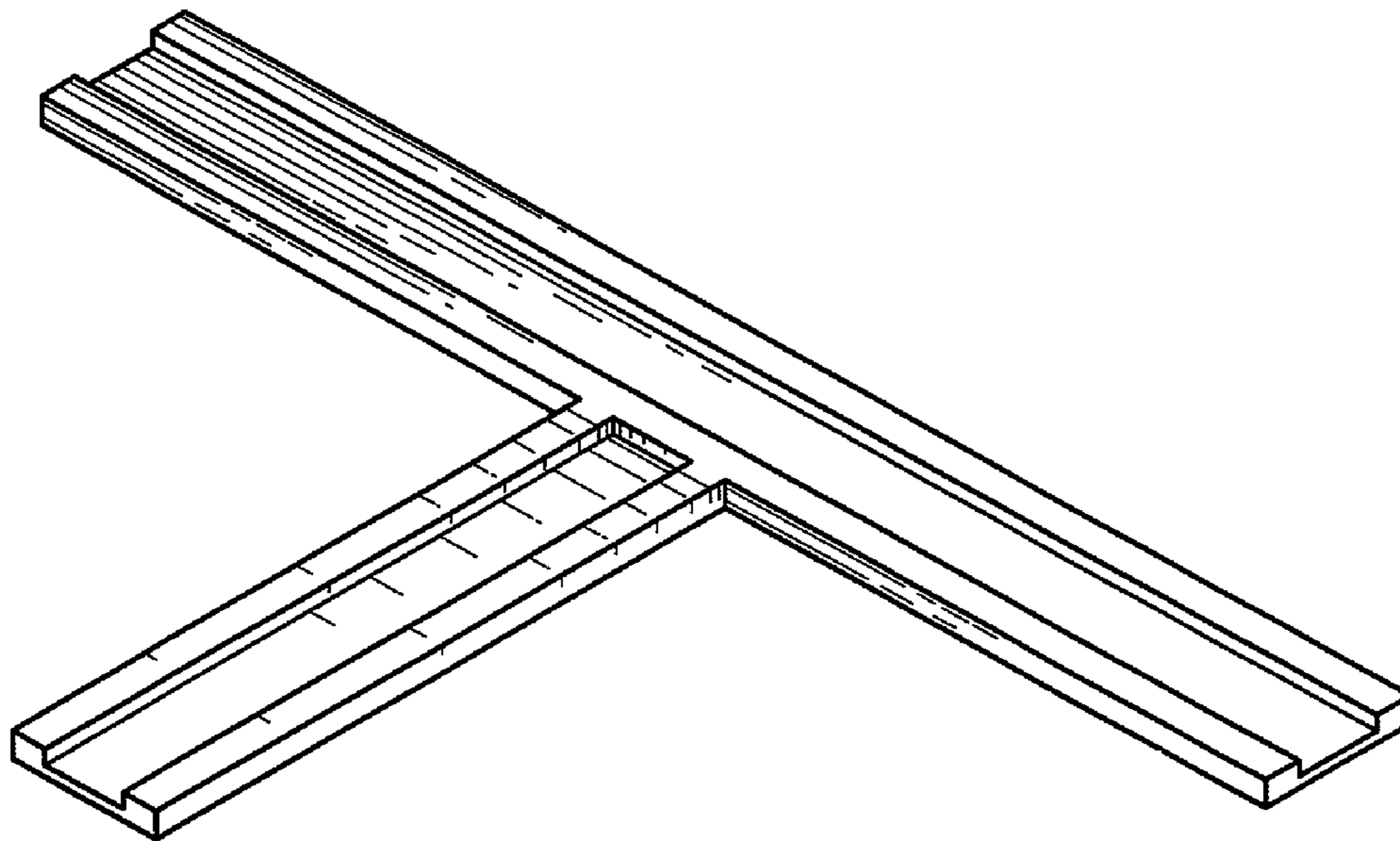
(57) **CLAIM**

I claim the ornamental design for an adapter for floor boards,
as shown and described.

DESCRIPTION

FIG. 1 is a perspective view of an adapter for floor boards
showing my new design;
FIG. 2 is a front view thereof;
FIG. 3 is a rear view thereof;
FIG. 4 is a right side view thereof;
FIG. 5 is a left side view thereof;
FIG. 6 is a top plan view thereof; and,
FIG. 7 is a bottom plan view.

1 Claim, 4 Drawing Sheets



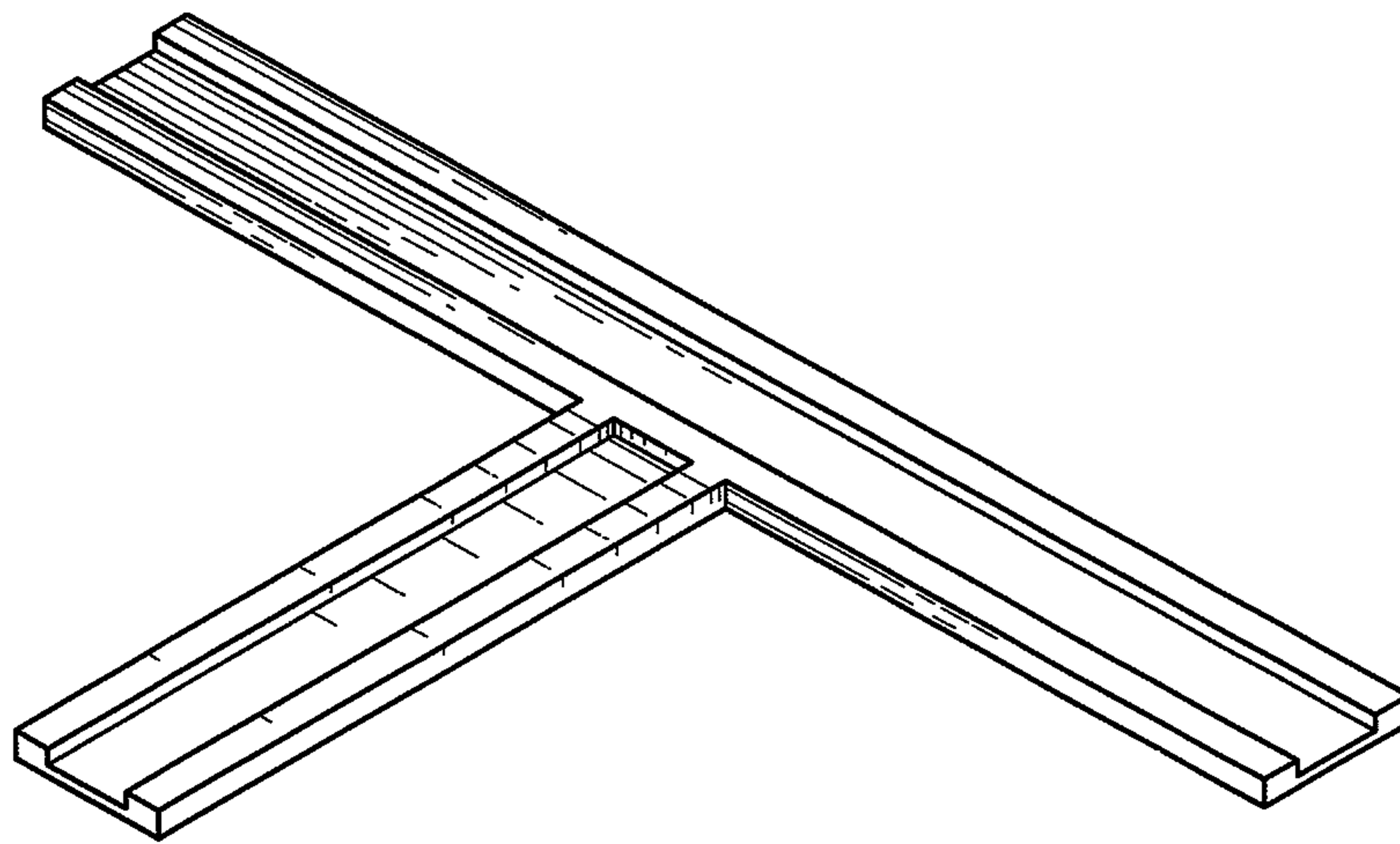


FIG. 1

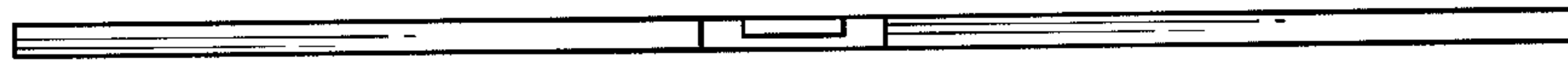


FIG. 2

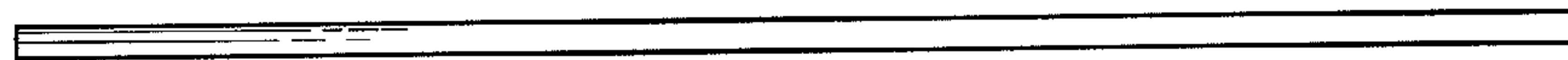


FIG. 3

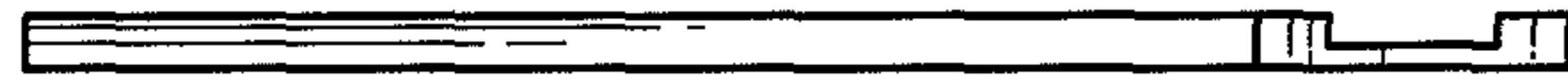


FIG. 4

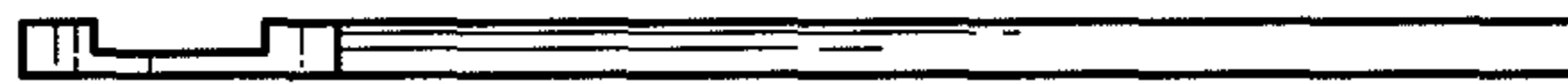


FIG. 5

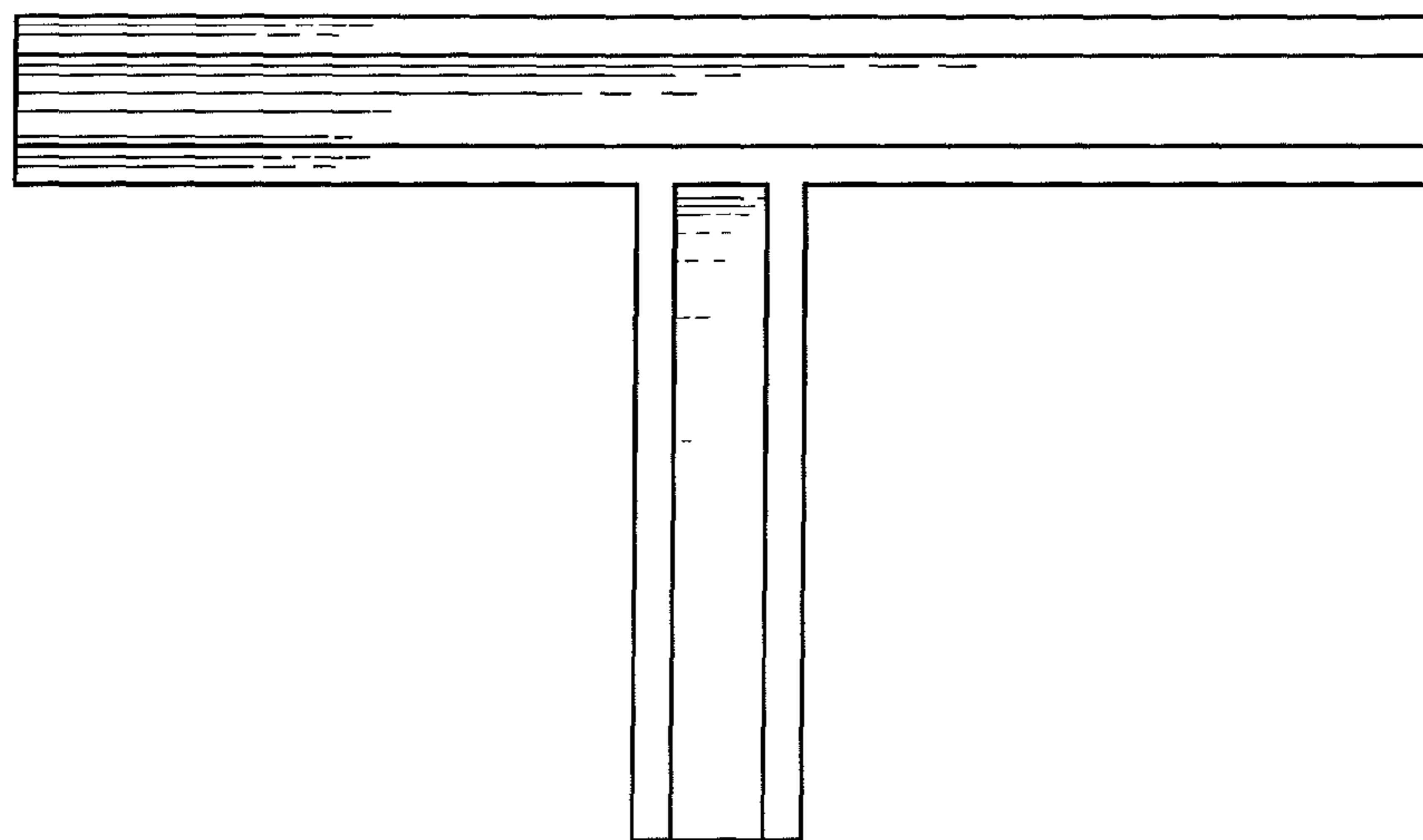


FIG. 6

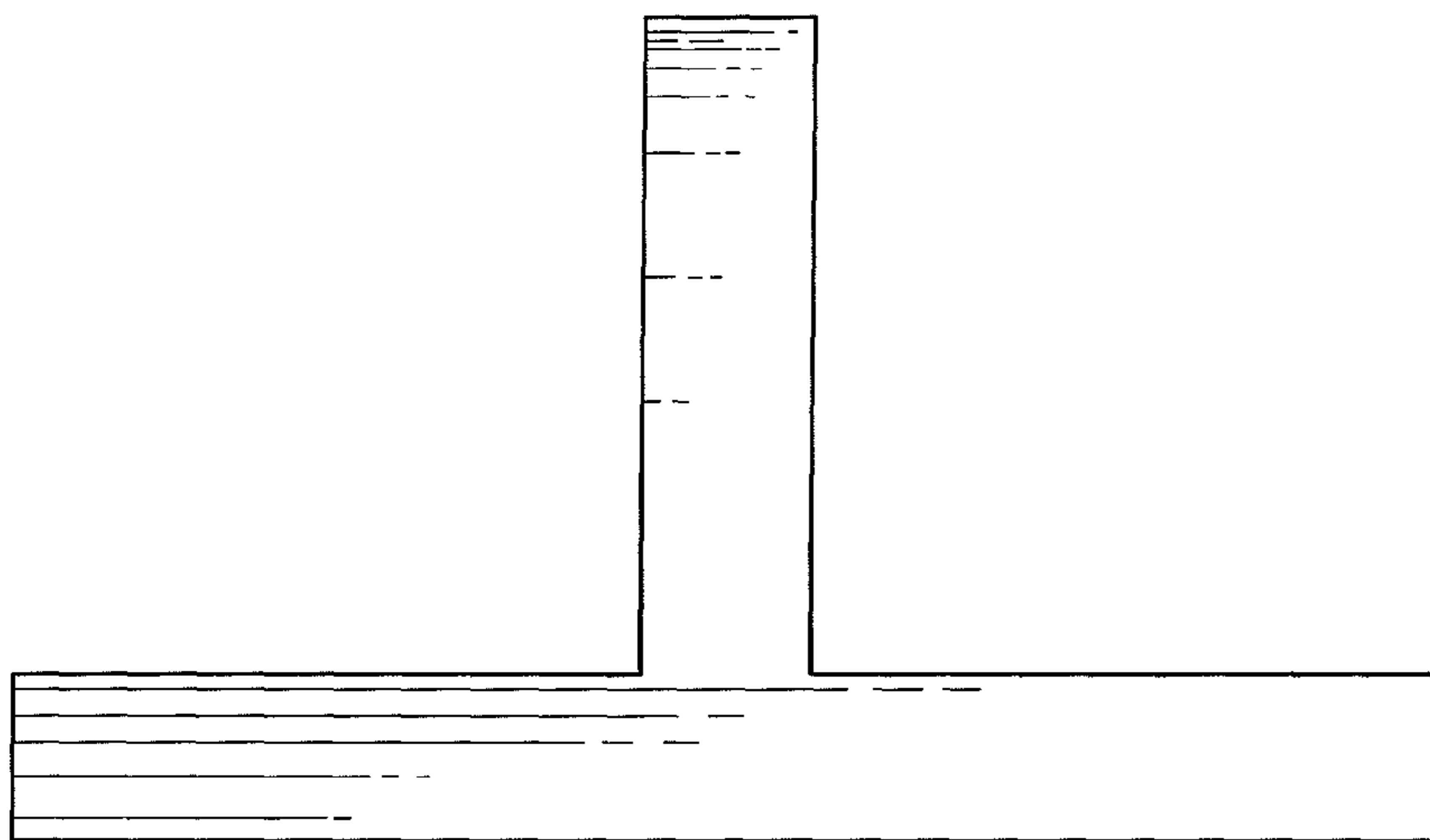


FIG. 7