



US00D704859S

(12) **United States Design Patent**  
**Gleason**

(10) **Patent No.:** **US D704,859 S**

(45) **Date of Patent:** **\*\* May 13, 2014**

(54) **PERMEABLE PAVER**

(75) Inventor: **Dwayne A. Gleason**, Riverside, CA  
(US)

(73) Assignee: **Orco Block Co., Inc.**, Stanton, CA (US)

(\*\*) Term: **14 Years**

(21) Appl. No.: **29/430,668**

(22) Filed: **Aug. 28, 2012**

(51) **LOC (10) Cl.** ..... **25-01**

(52) **U.S. Cl.**  
USPC ..... **D25/113**

(58) **Field of Classification Search**  
USPC ..... D25/102, 103, 106, 109, 112–118, 136,  
D25/138, 152, 159–162, 164;  
D21/484–491, 499–504; 405/16, 284,  
405/286; 52/503–505, 574, 575, 596–612;  
404/27–42

See application file for complete search history.

(56) **References Cited**

**U.S. PATENT DOCUMENTS**

D278,935 S *	5/1985	Schewiller	.....	D25/118
D431,305 S *	9/2000	Barth et al.	.....	D25/113
D509,001 S *	8/2005	McLean	.....	D25/113
D526,066 S *	8/2006	Schneider	.....	D25/113
D547,882 S *	7/2007	Metten	.....	D25/113
7,425,106 B2 *	9/2008	Altmann et al.	.....	404/39

D584,424 S *	1/2009	Schneider	.....	D25/113
D634,859 S *	3/2011	Barkman	.....	D25/113
D663,439 S *	7/2012	Edwards	.....	D25/113
D674,115 S *	1/2013	Merriam	.....	D25/113
2003/0007834 A1 *	1/2003	Bolduc et al.	.....	404/41
2012/0057933 A1 *	3/2012	Gebhart	.....	404/41

\* cited by examiner

*Primary Examiner* — Anhdao Doan

(74) *Attorney, Agent, or Firm* — Rutan & Tucker LLP; Hani Z. Sayed

(57) **CLAIM**

The ornamental design for permeable paver, as shown and described.

**DESCRIPTION**

FIG. 1 is a top, front and left side perspective view of the present invention;  
FIG. 2 is a front view thereof, the rear view being a mirror image;  
FIG. 3 is a top view thereof;  
FIG. 4 is a bottom view thereof;  
FIG. 5 is a right side view thereof, the left side view being a mirror image; and,  
FIG. 6 is a magnified view of the area bounded by broken lines “6” in FIG. 2, the opposite view being a mirror image.

**1 Claim, 3 Drawing Sheets**

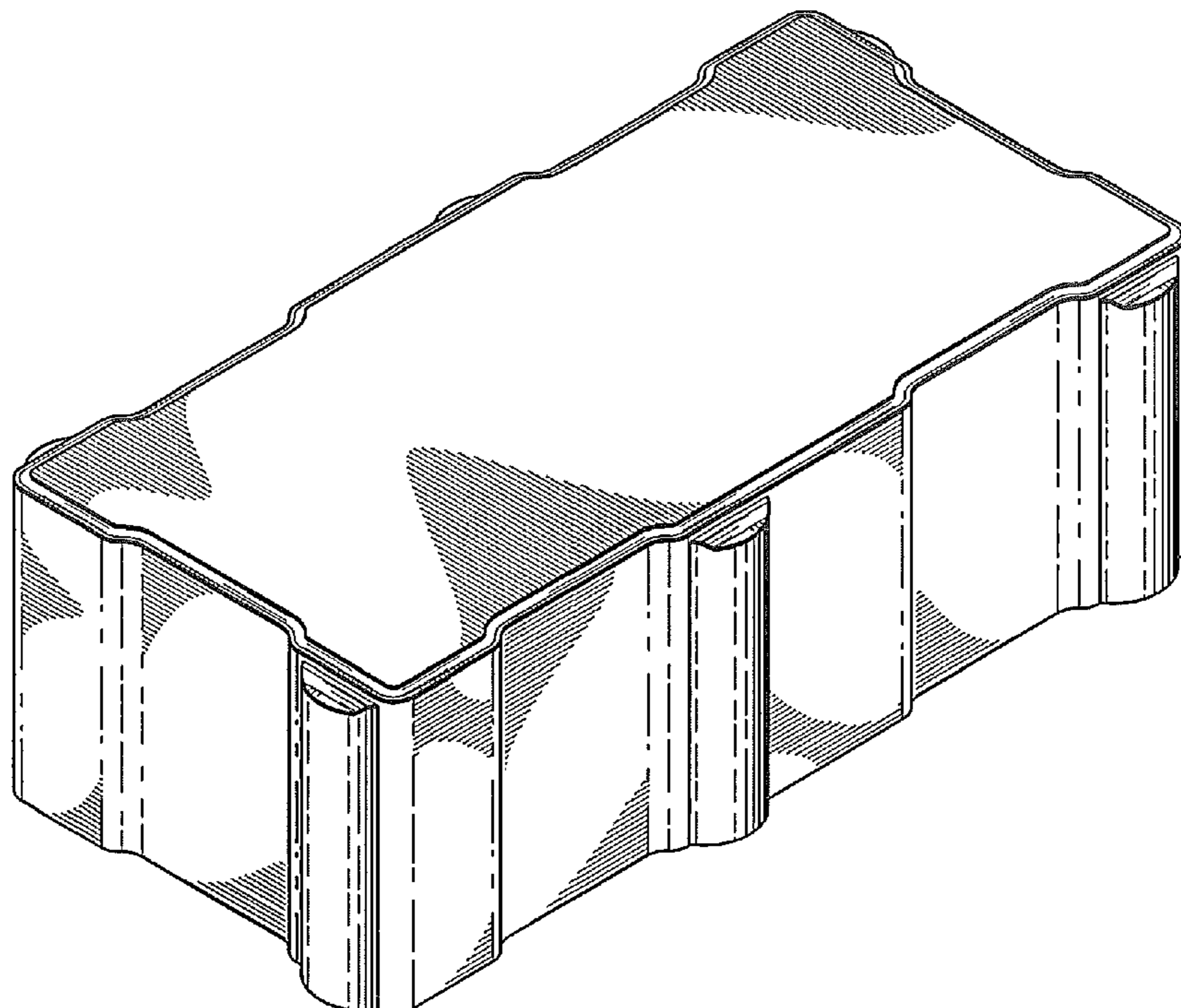


FIG. 1

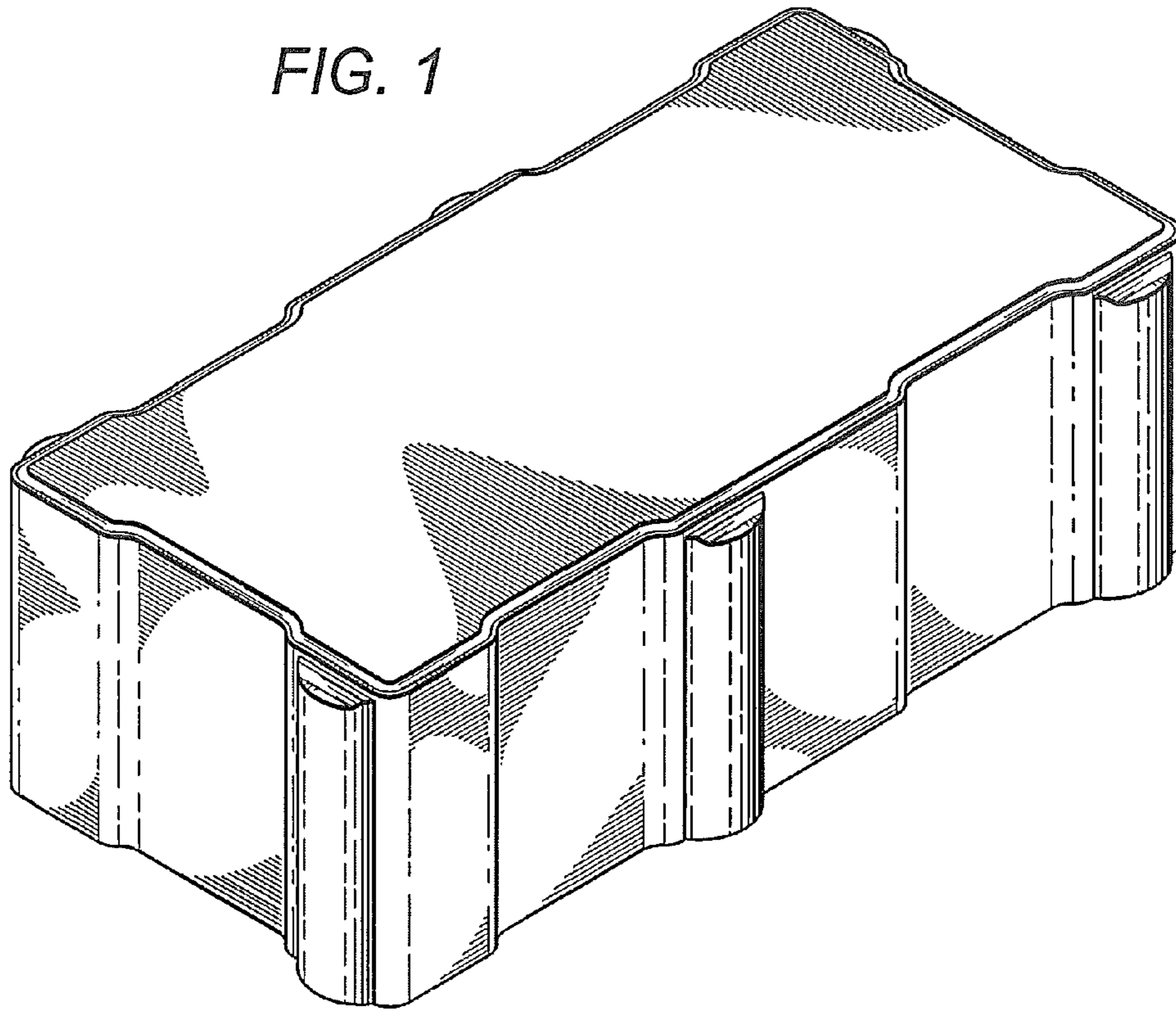
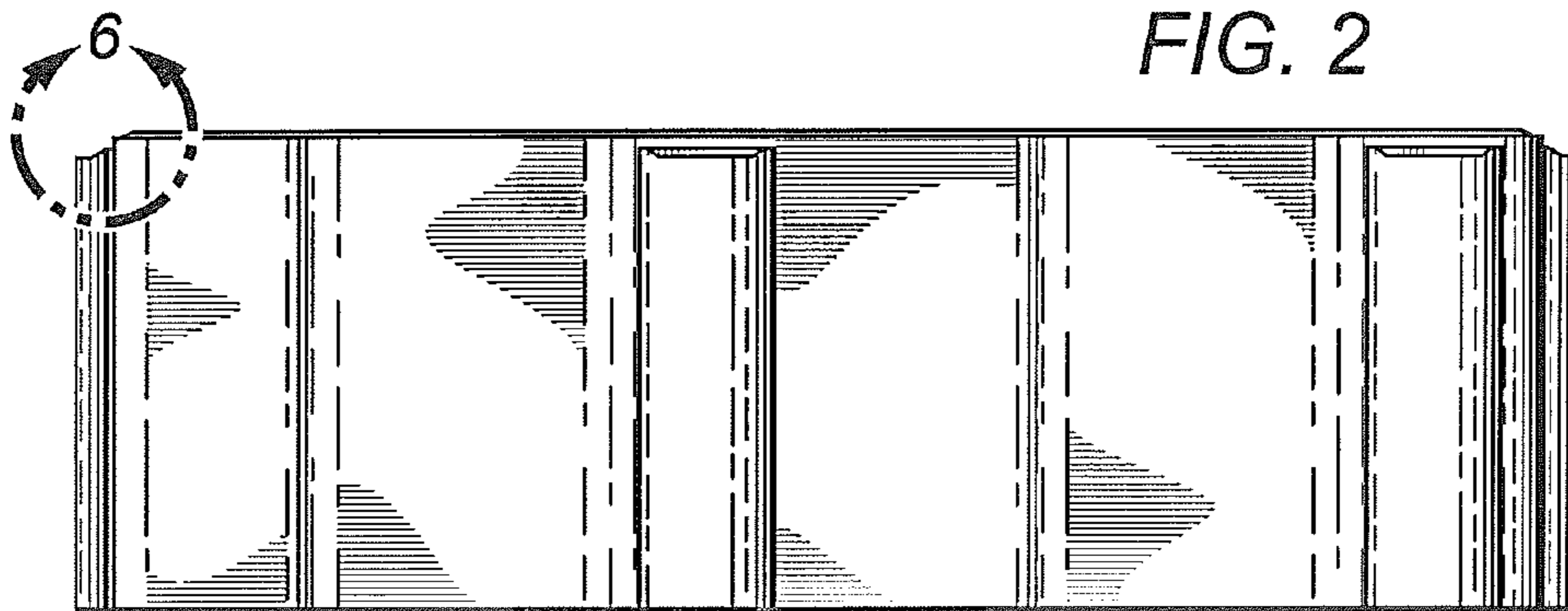
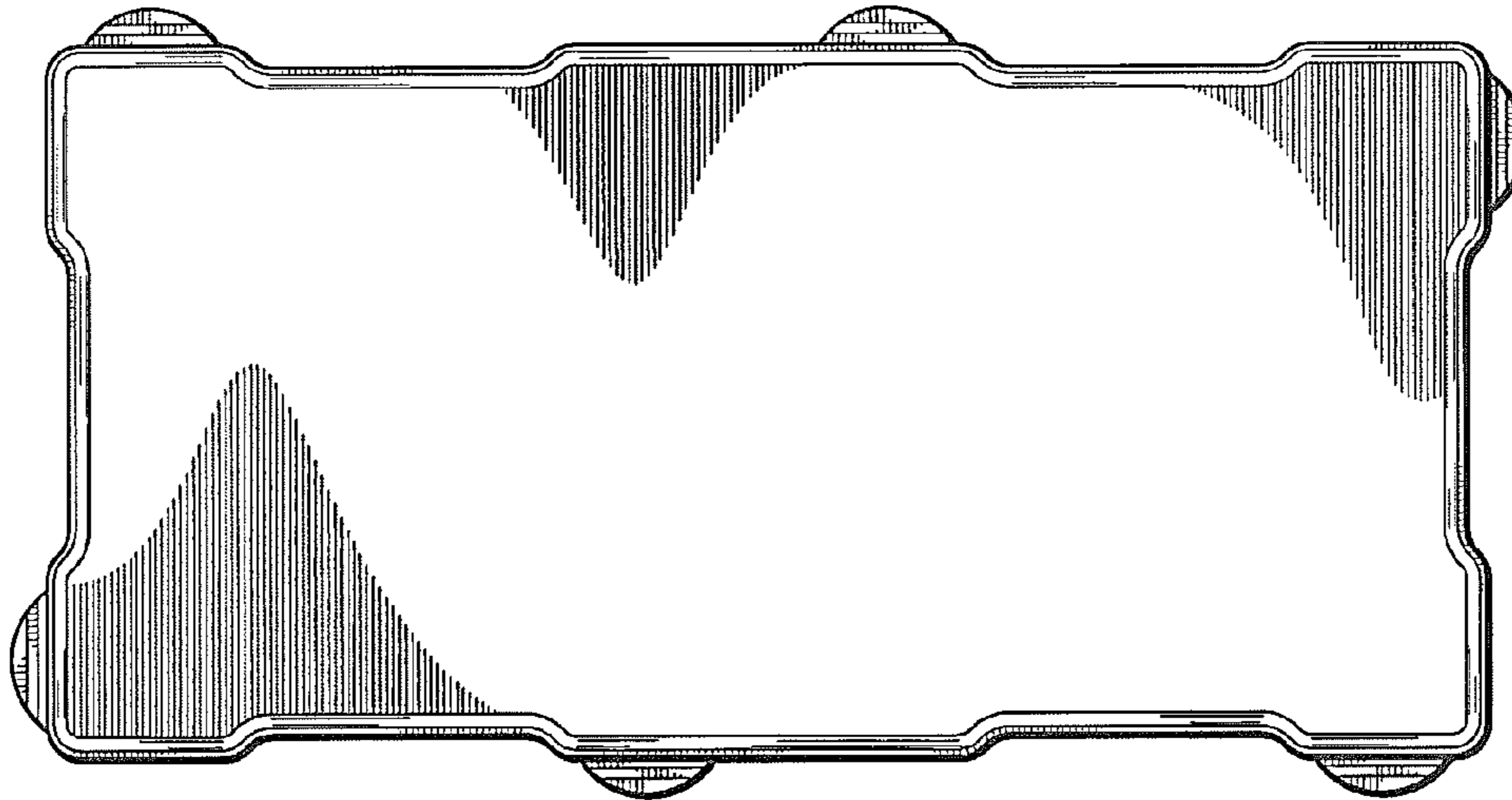


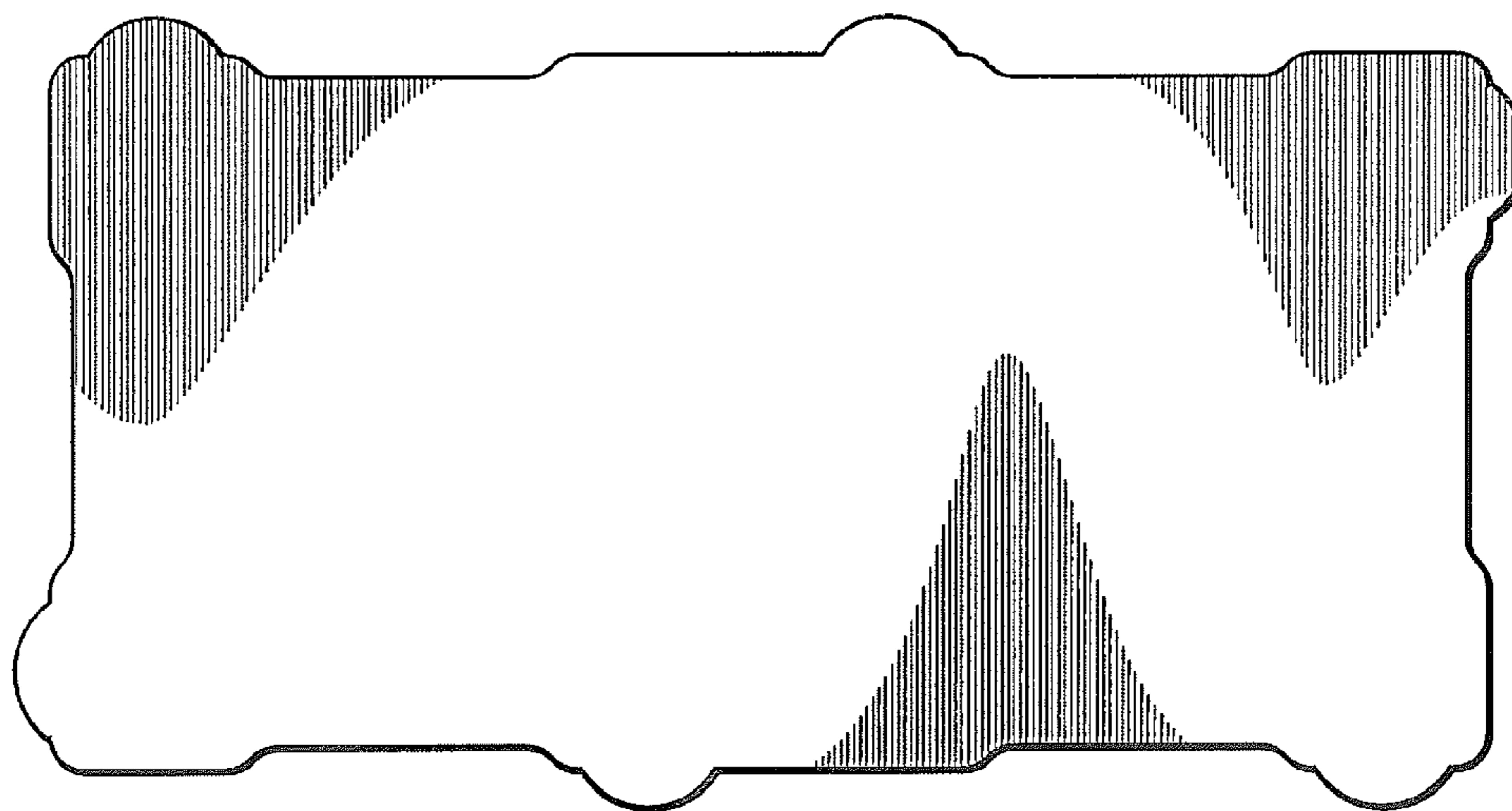
FIG. 2





*FIG. 3*

*FIG. 4*



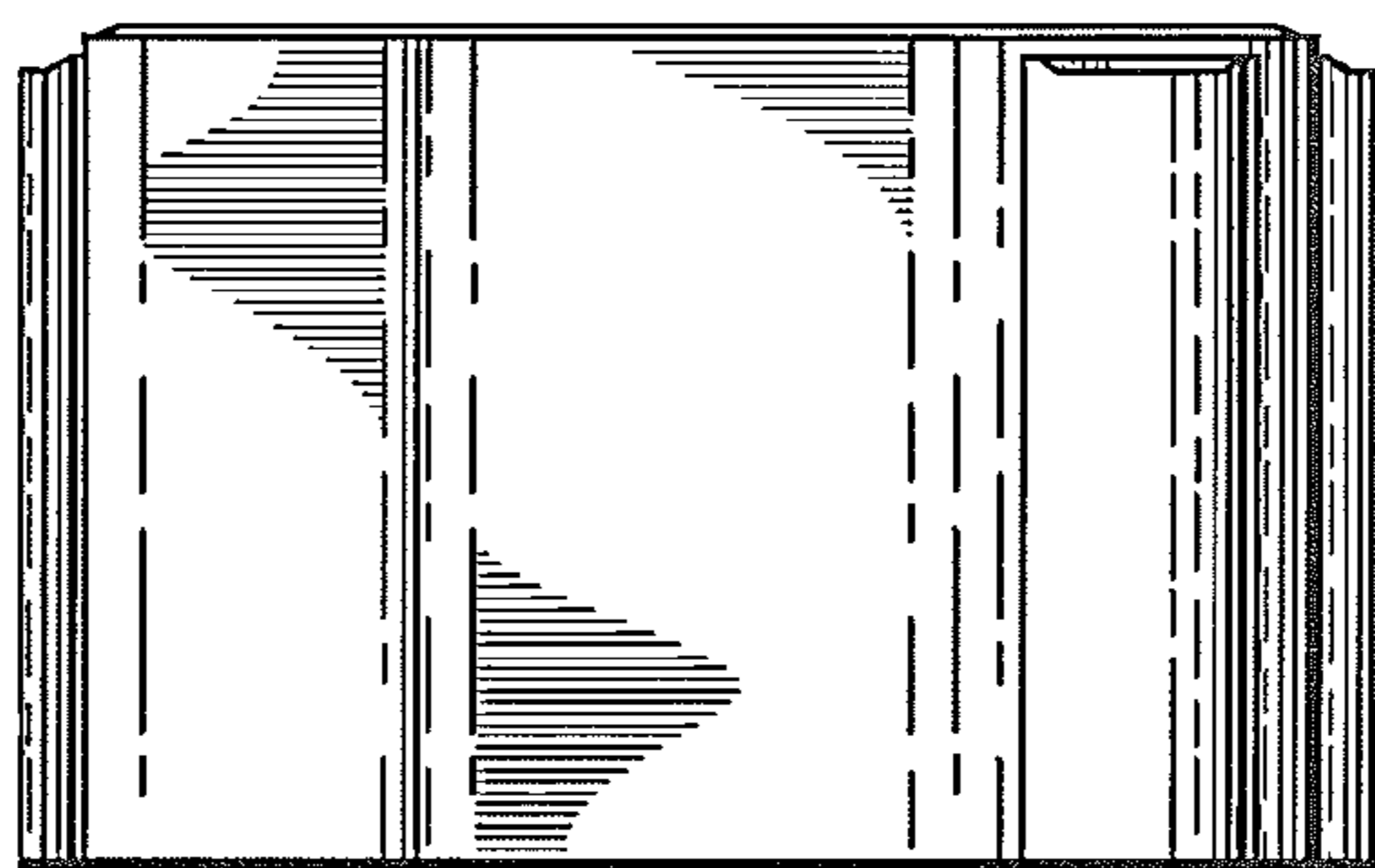


FIG. 5

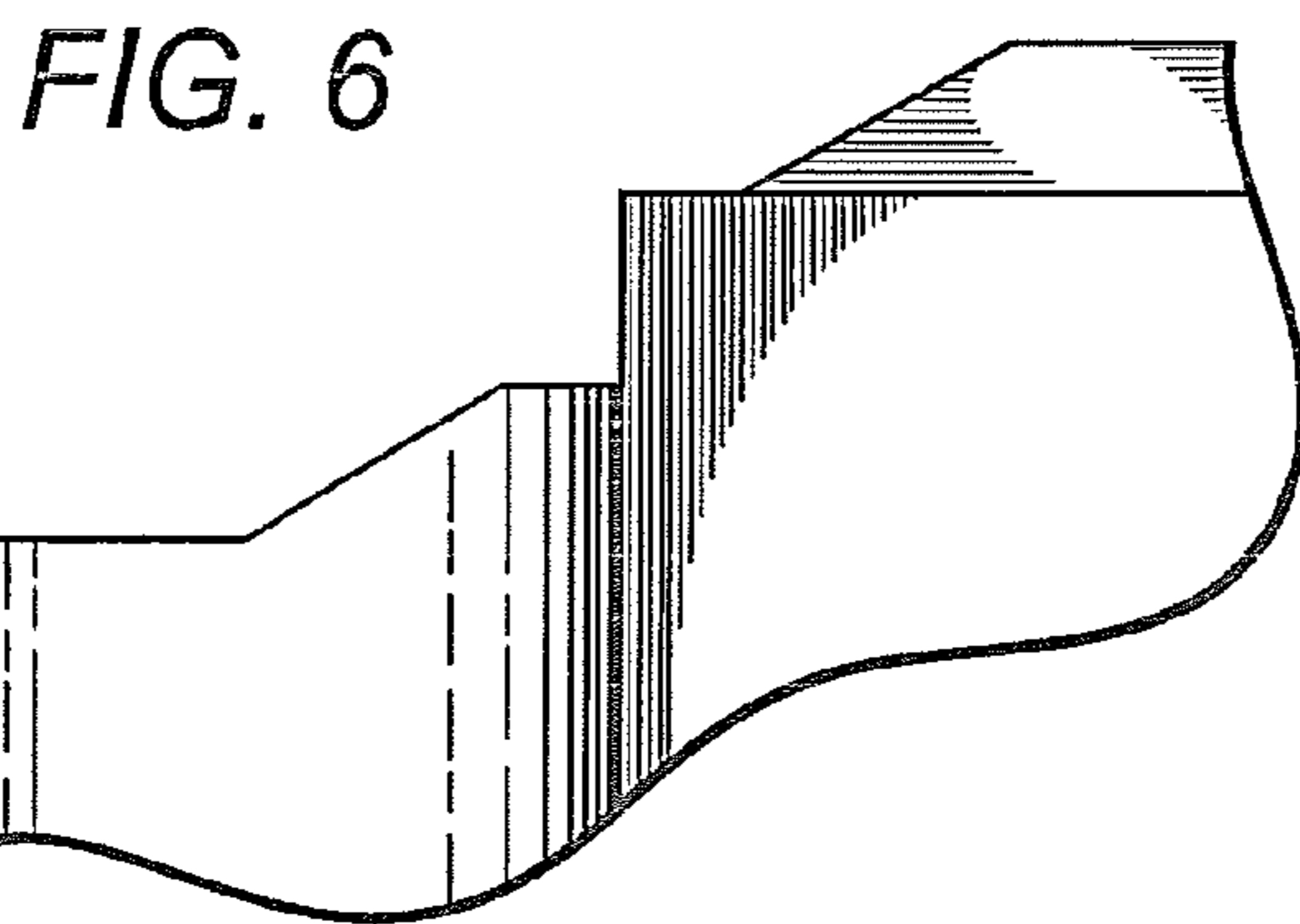


FIG. 6