



US00D704857S

(12) **United States Design Patent**
Camp

(10) **Patent No.:** **US D704,857 S**

(45) **Date of Patent:** **** May 13, 2014**

(54) **BRIDGE**

6,212,835 B1 * 4/2001 Schiedegger et al. 52/211
D537,532 S * 2/2007 Takeuchi et al. D25/56

(71) Applicant: **William J. Camp**, Edmond, OK (US)

* cited by examiner

(72) Inventor: **William J. Camp**, Edmond, OK (US)

Primary Examiner — Doris Clark

(**) Term: **14 Years**

(74) *Attorney, Agent, or Firm* — Dale J. Ream

(21) Appl. No.: **29/469,365**

(57) **CLAIM**

The ornamental design for a bridge, as shown and described.

(22) Filed: **Oct. 9, 2013**

DESCRIPTION

(51) **LOC (10) Cl.** **25-02**

(52) **U.S. Cl.**
USPC **D25/56**

(58) **Field of Classification Search**
USPC D25/60, 61; 14/2, 7; 52/204.2, 211,
52/650.3; 135/906
See application file for complete search history.

FIG. 1 is a perspective view of a bridge showing my new design;

FIG. 2 is a front view thereof;

FIG. 3 is a back view thereof;

FIG. 4 is a left side view thereof;

FIG. 5 is a right side view thereof;

FIG. 6 is a top view thereof; and,

FIG. 7 is a bottom view thereof.

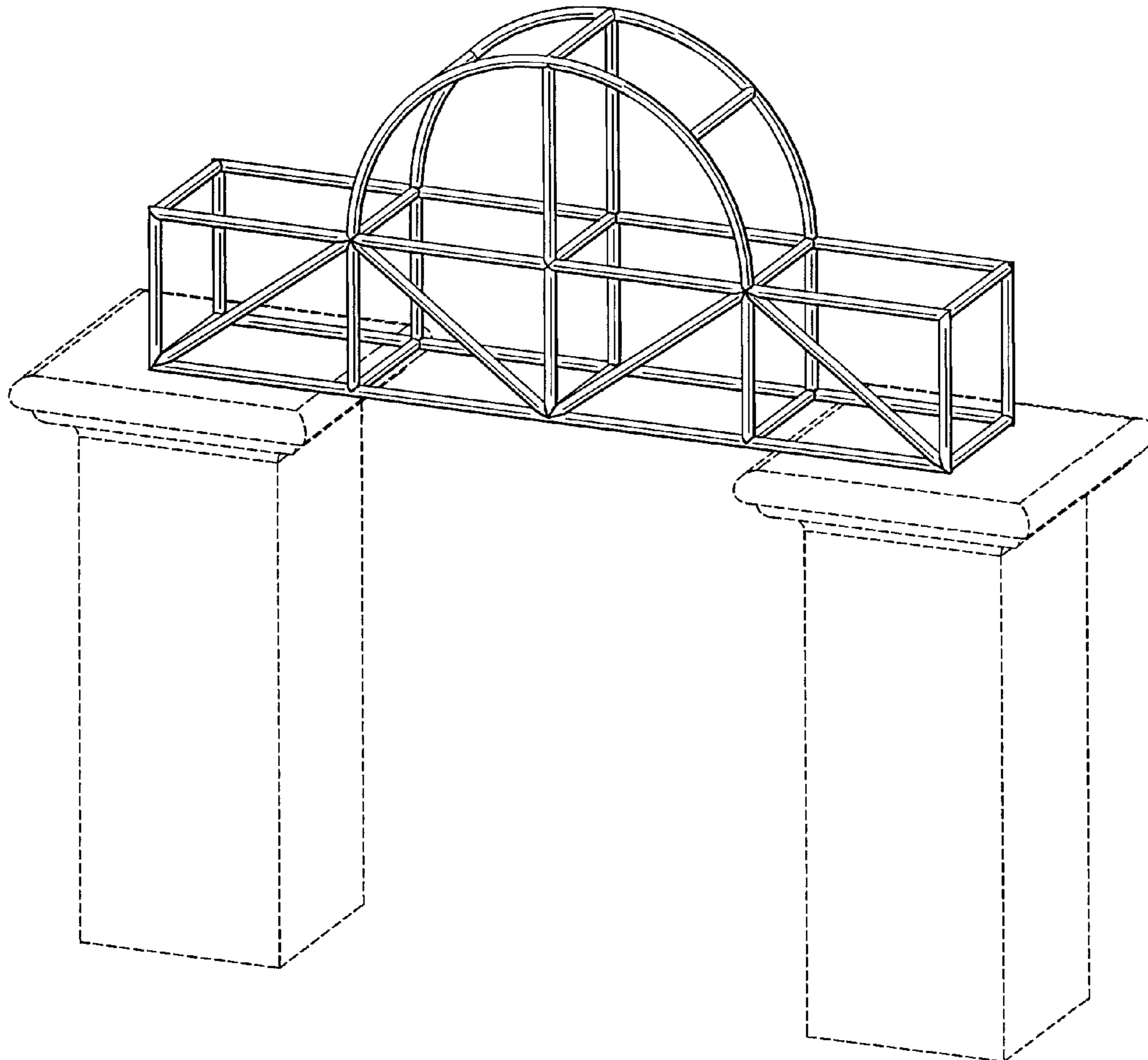
In the drawings, the broken lines showing support structures illustrate environment and form no part of the claimed design.

(56) **References Cited**

U.S. PATENT DOCUMENTS

5,079,872 A * 1/1992 Short 49/409
D429,000 S * 8/2000 Chipman et al. D25/56

1 Claim, 4 Drawing Sheets



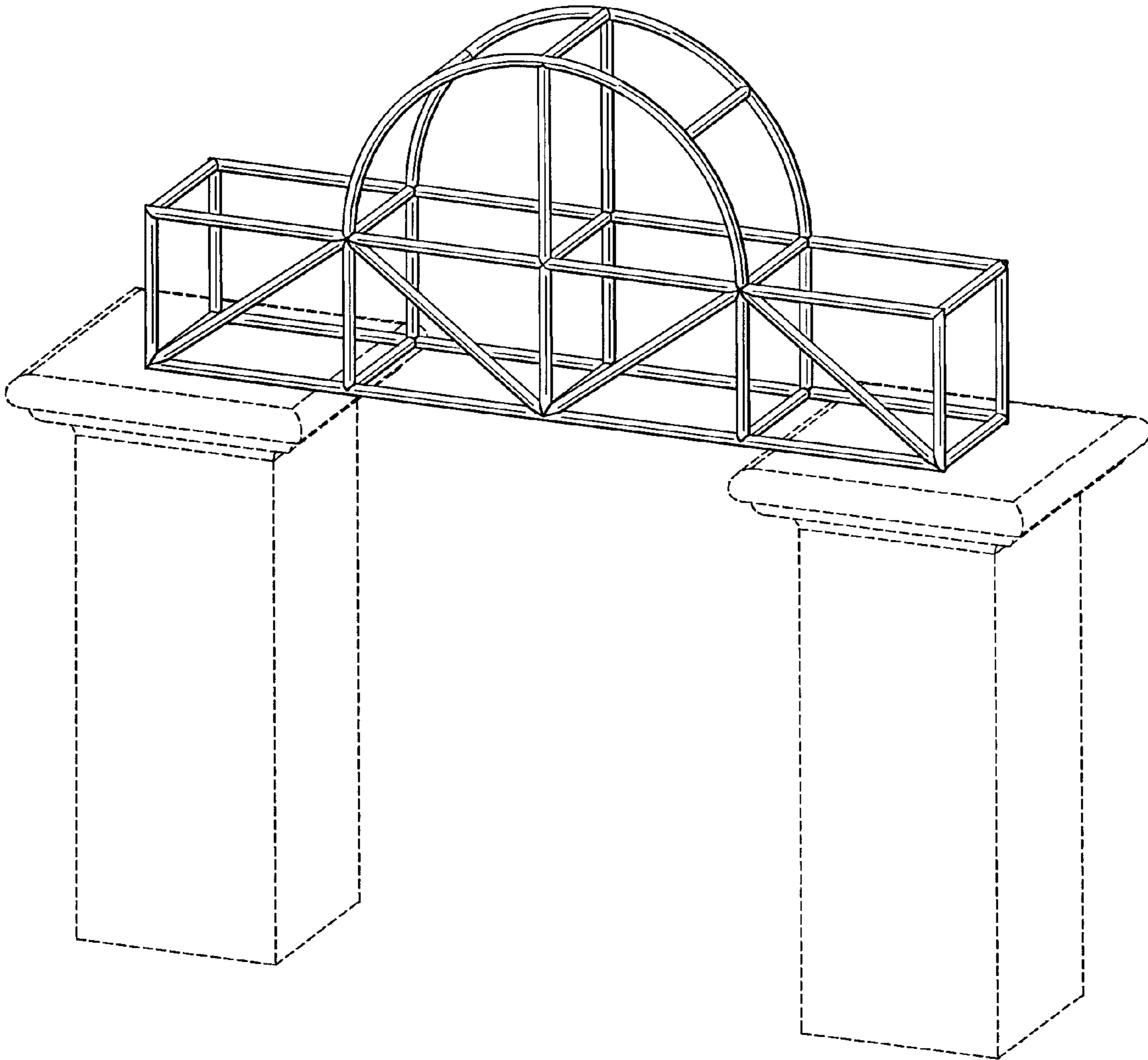


Fig. 1

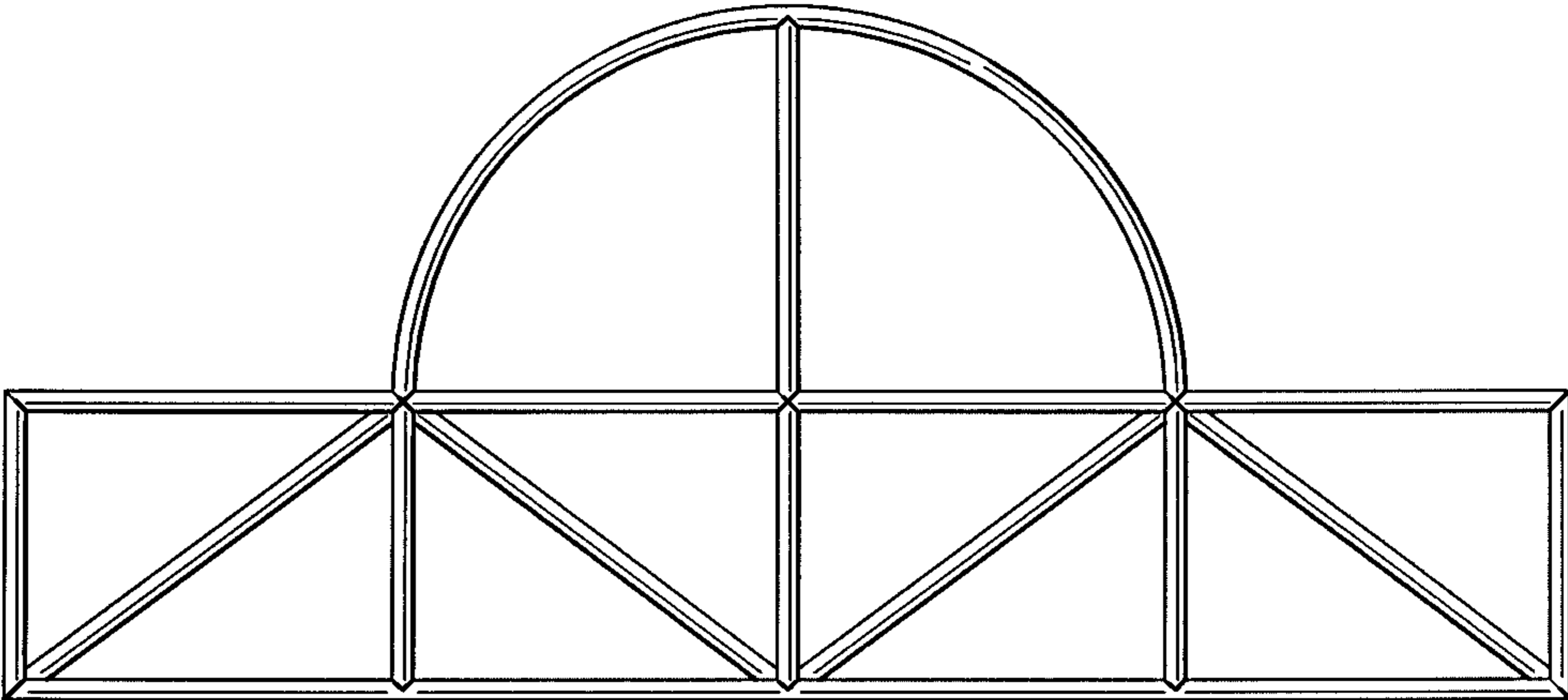


Fig. 2

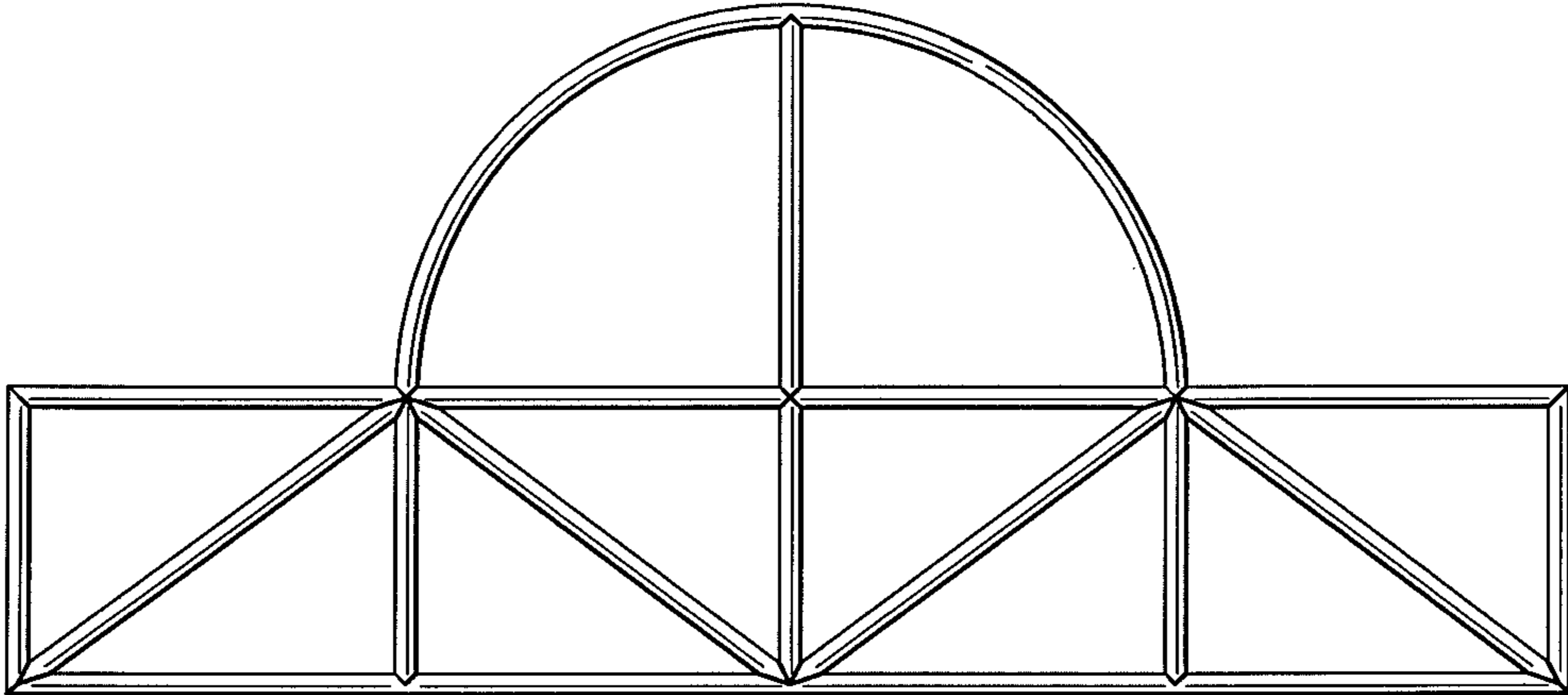


Fig. 3

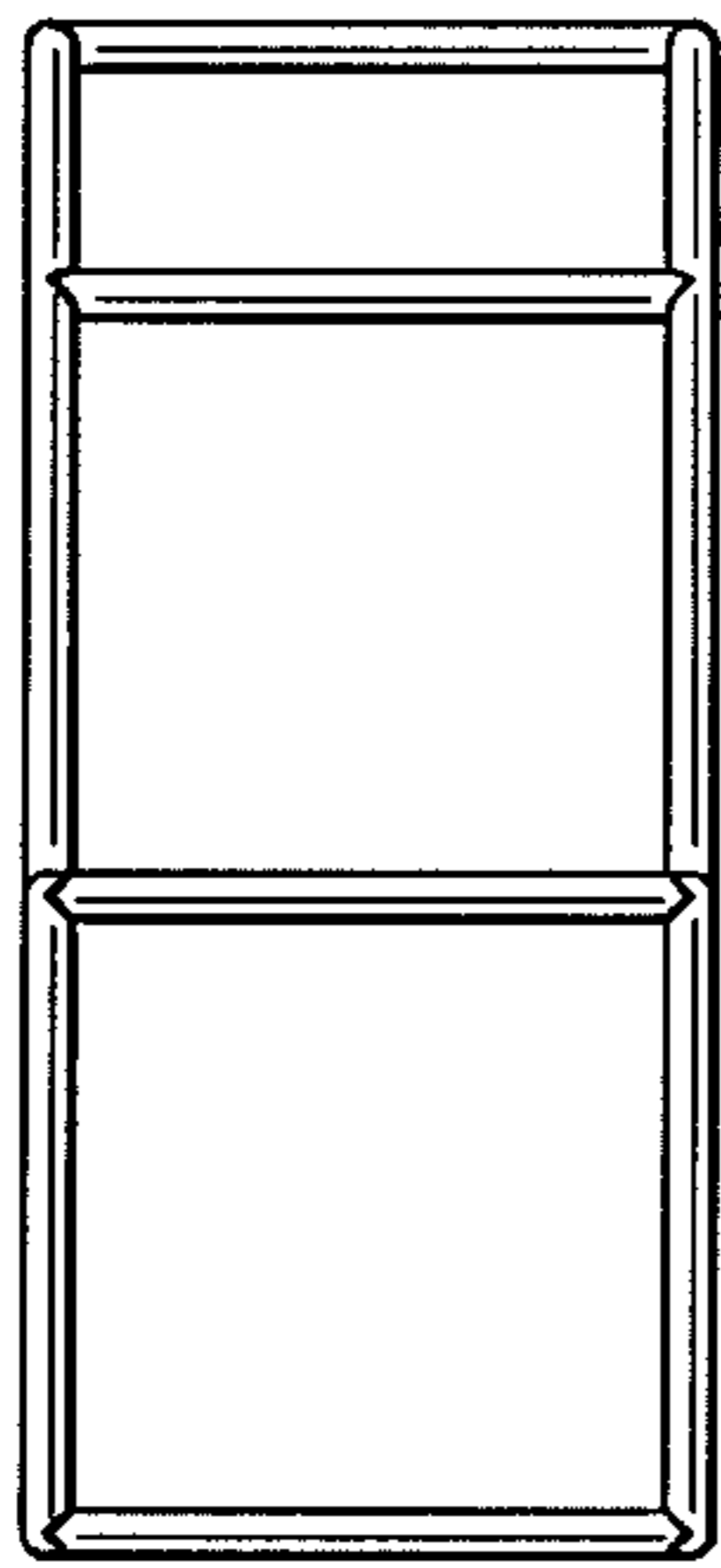


Fig. 4

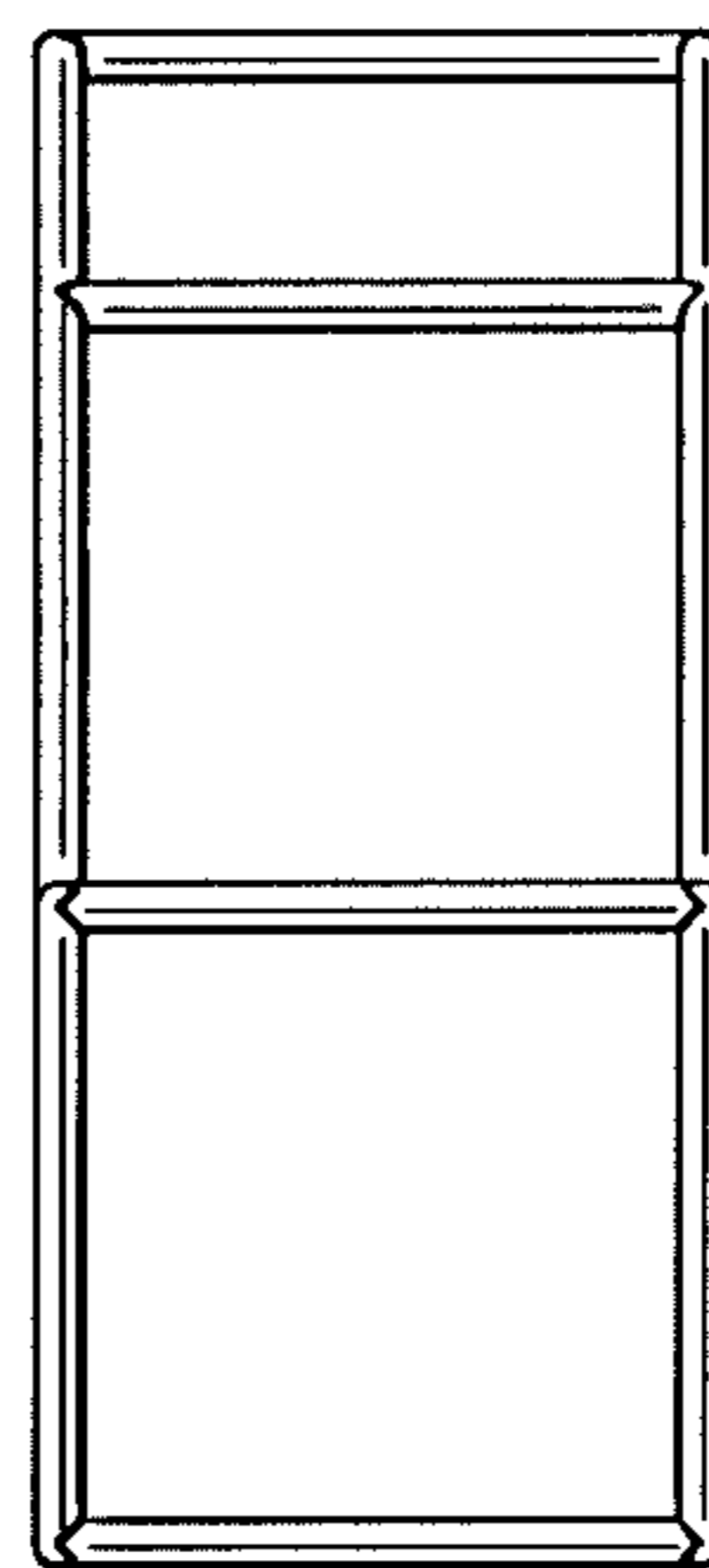


Fig. 5

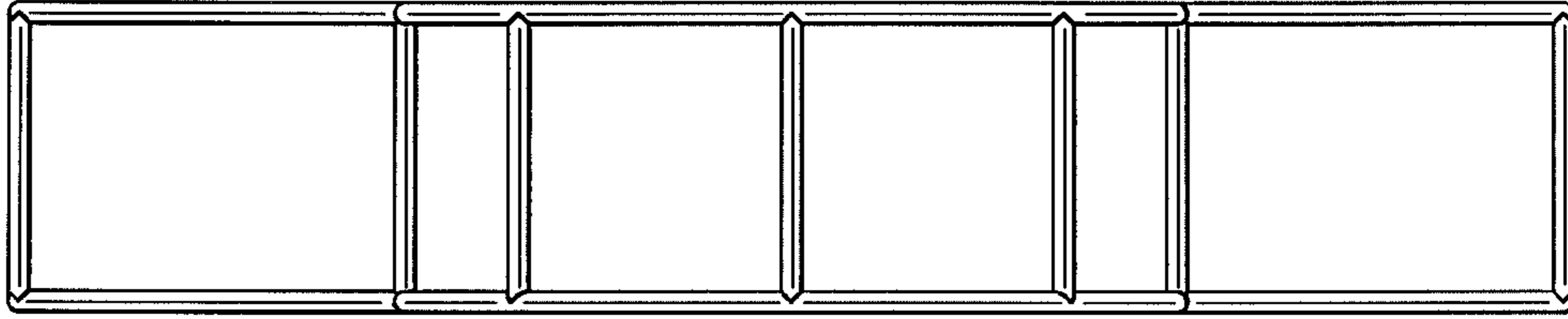


Fig. 6

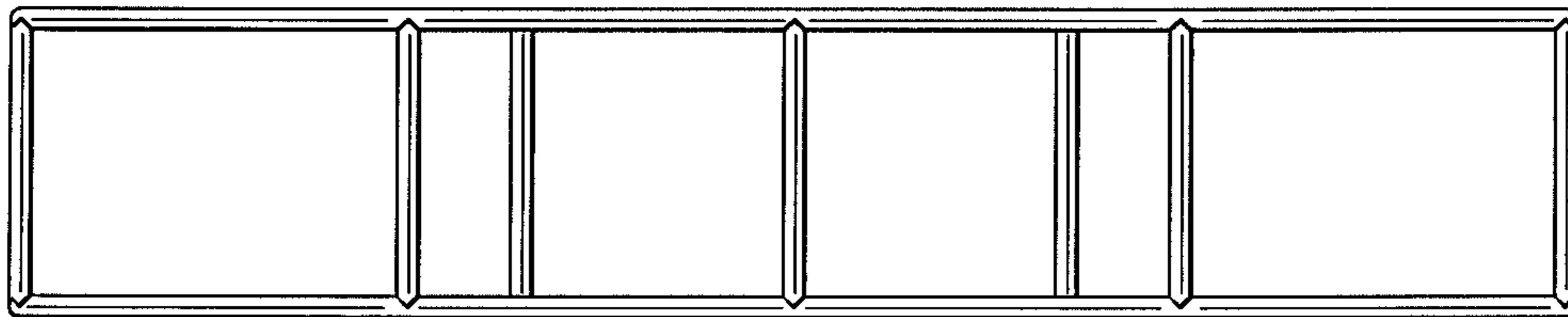


Fig. 7