



US00D704855S

(12) **United States Design Patent**
Tipton et al.

(10) **Patent No.:** **US D704,855 S**

(45) **Date of Patent:** **** May 13, 2014**

(54) **STERILIZATION CASSETTE**

(75) Inventors: **David W. Tipton**, Chicago, IL (US);
Timothy J. Fischer, Chicago, IL (US);
David K. Platt, Mount Prospect, IL
(US); **Chantel D. Willis**, Munster, IN
(US); **Jennifer Radovich Naylor**,
Batavia, IL (US); **Marjavis J. Matthis**,
Chicago, IL (US); **Mark Kurth**, Beverly
Shores, IN (US); **Timothy Payne**,
Chicago, IL (US); **Philip Anthony**,
Chicago, IL (US)

4,541,992 A 9/1985 Jerge et al.
D295,075 S 4/1988 Jerge et al.
4,774,063 A 9/1988 Runnells
4,798,292 A 1/1989 Hauze
4,854,475 A 8/1989 Riihimaki et al.
5,084,251 A 1/1992 Thomas
5,173,273 A 12/1992 Brewer
5,215,726 A 6/1993 Kudla et al.
5,268,970 A 12/1993 Tanaka
5,279,800 A 1/1994 Berry, Jr.
5,281,400 A 1/1994 Berry, Jr.
5,284,632 A 2/1994 Kudla et al.
5,294,413 A 3/1994 Riihimaki et al.

(Continued)

(73) Assignee: **Hu-Friedy Mfg. Co., LLC**, Chicago, IL
(US)

FOREIGN PATENT DOCUMENTS

(**) Term: **14 Years**

DE 2713094 A1 10/1978
DE 19535823 A1 3/1997

(Continued)

(21) Appl. No.: **29/424,877**

Primary Examiner — Anhdao Doan

(22) Filed: **Jun. 16, 2012**

(74) *Attorney, Agent, or Firm* — Marshall, Gerstein & Borun
LLP

(51) **LOC (10) Cl.** **24-01**

(52) **U.S. Cl.**
USPC **D24/217**

(57) **CLAIM**

The ornamental design for a sterilization cassette, as shown
and described.

(58) **Field of Classification Search**
USPC D24/216, 217, 218, 224, 227, 231, 194,
D24/197; D3/203.1, 264, 294; D9/420, 423,
D9/432; 422/20, 21, 22, 24, 26, 297, 300,
422/303; 220/529, 735; 206/370, 438;
D32/1; D7/326, 538, 629; D5/1, 2, 5,
D5/54, 59, 61; D25/153, 155, 157, 158
See application file for complete search history.

DESCRIPTION

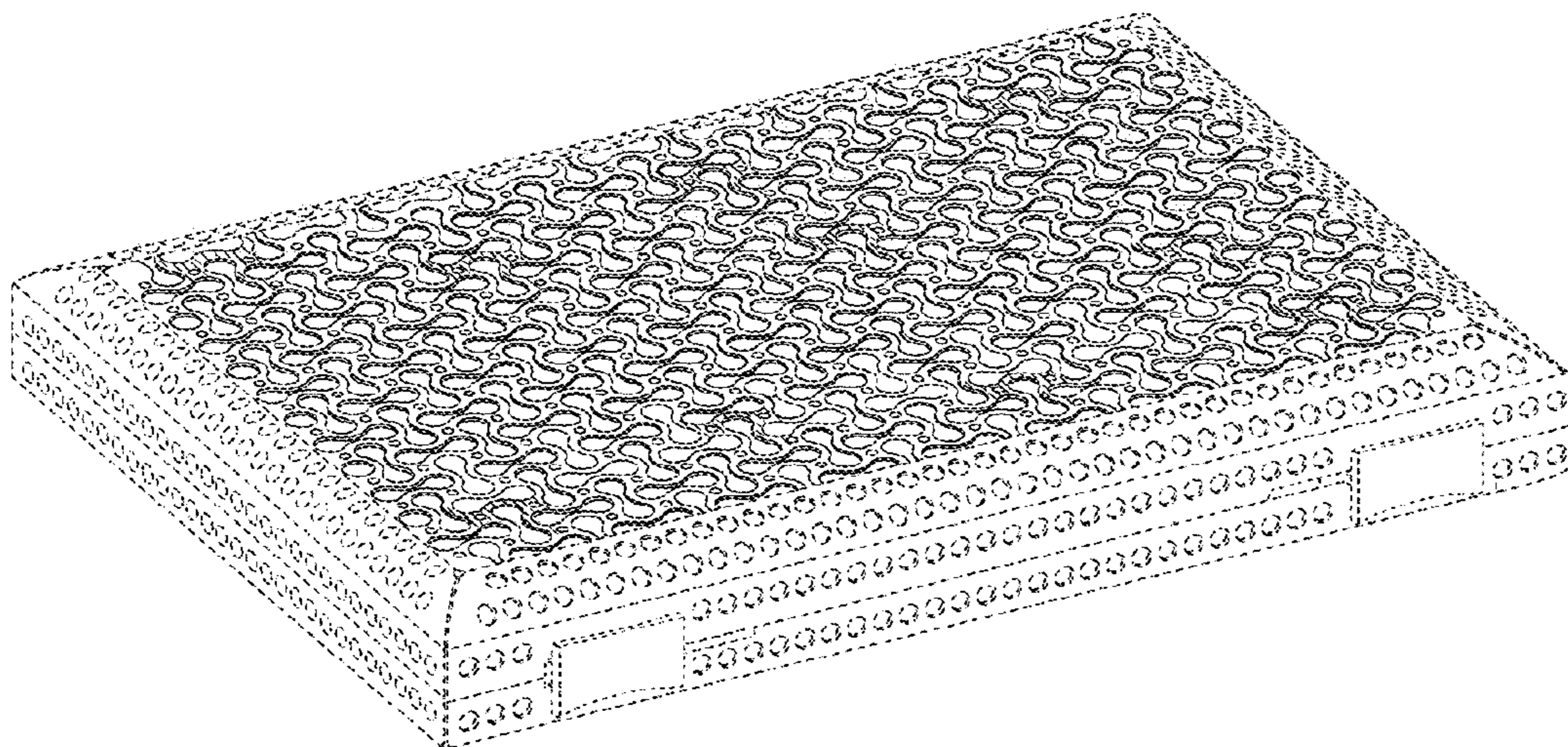
FIG. 1 is a perspective view of a sterilization cassette in
accordance with the present invention;
FIG. 2 is a front elevational view thereof;
FIG. 3 is a rear elevational view thereof;
FIG. 4 is a right side elevational view thereof;
FIG. 5 is a left side elevational view thereof;
FIG. 6 is a top plan view thereof; and,
FIG. 7 is a bottom plan view thereof.
The broken lines in the drawing views illustrate unclaimed
portions of the sterilization cassette and form no part of the
claimed design.

(56) **References Cited**

U.S. PATENT DOCUMENTS

1,228,464 A 6/1917 Mazzei
3,133,635 A 5/1964 Gordon
D209,577 S * 12/1967 Pompill D5/59
4,043,754 A 8/1977 Sklar
4,135,868 A 1/1979 Schainholz

1 Claim, 4 Drawing Sheets



(56)

References Cited

U.S. PATENT DOCUMENTS

5,340,551 A 8/1994 Berry, Jr.
 5,346,677 A 9/1994 Risk
 5,376,677 A 12/1994 Trah
 5,384,103 A 1/1995 Miller
 5,407,069 A 4/1995 Schmieding et al.
 5,422,067 A 6/1995 Barney
 5,424,048 A 6/1995 Riley
 D360,697 S 7/1995 Riihimaki et al.
 5,433,929 A 7/1995 Riihimaki et al.
 5,451,379 A 9/1995 Bowlin, Jr.
 5,482,067 A 1/1996 Wittrock et al.
 5,492,671 A 2/1996 Krafft
 5,505,916 A 4/1996 Berry, Jr.
 D371,203 S * 6/1996 Deeds D24/217
 D371,444 S * 7/1996 Madjar D24/227
 5,725,097 A 3/1998 Bettenhausen et al.
 5,732,821 A 3/1998 Stone et al.
 5,759,502 A 6/1998 Spencer et al.
 5,762,202 A 6/1998 Atad
 5,840,261 A 11/1998 Monch
 5,843,387 A 12/1998 Dane et al.
 5,882,612 A 3/1999 Riley
 5,918,740 A 7/1999 Berry, Jr.
 D421,309 S * 2/2000 Riley et al. D24/217
 6,099,812 A 8/2000 Allen et al.
 6,138,850 A 10/2000 Berry, III
 D437,060 S 1/2001 Mayer
 6,193,932 B1 2/2001 Wu et al.
 6,217,835 B1 4/2001 Riley et al.
 D441,457 S * 5/2001 Neiner et al. D24/217
 6,264,902 B1 7/2001 Howlett
 6,331,280 B1 12/2001 Wood
 6,365,115 B1 4/2002 Wood
 6,368,565 B1 4/2002 Michaelson et al.
 6,382,575 B1 5/2002 Frush et al.
 D458,033 S * 6/2002 Cassingham D5/59
 D458,448 S 6/2002 Jakab
 6,468,482 B1 10/2002 Frieze et al.
 D472,057 S * 3/2003 Cassingham D5/59

6,534,000 B1 3/2003 Michaelson et al.
 6,585,942 B1 7/2003 Bussell et al.
 6,634,499 B2 10/2003 Allen et al.
 6,713,029 B1 3/2004 Krafft et al.
 6,783,004 B1 8/2004 Rinner
 6,827,913 B2 12/2004 Wood
 D526,064 S 8/2006 Wood
 D530,824 S 10/2006 Bennison
 D537,950 S 3/2007 Haunschild et al.
 D557,814 S 12/2007 Glenn et al.
 D579,117 S 10/2008 Weiss et al.
 7,544,336 B2 6/2009 Powell
 7,717,264 B2 5/2010 Bettenhausen et al.
 7,748,529 B2 7/2010 Foreman et al.
 7,871,582 B2 1/2011 Riley et al.
 7,905,353 B2 3/2011 Baker et al.
 8,069,998 B2 12/2011 Thomas
 D658,777 S 5/2012 Sweet, II et al.
 2003/0011849 A1 1/2003 Farmer et al.
 2005/0016135 A1 1/2005 Heikaus
 2005/0161355 A1 * 7/2005 Matthis et al. 206/370
 2008/0149512 A1 6/2008 Dane
 2009/0223972 A1 9/2009 Allen
 2010/0065456 A1 3/2010 Junk et al.
 2011/0071572 A1 * 3/2011 Sixto et al. 606/286
 2012/0085720 A1 4/2012 Bettenhausen et al.

FOREIGN PATENT DOCUMENTS

DE 19851239 A1 5/2000
 DE 202005015459 U1 12/2005
 DE 102005047097 A1 4/2007
 DE 102005047099 A1 4/2007
 DE 202007010742 U1 11/2007
 DE 102007003223 A1 7/2008
 EP 633101 A1 1/1995
 EP 1281369 A1 2/2003
 GB 2105591 A 3/1983
 GB 2328680 A 3/1999
 JP 2010063889 A 3/2010
 WO WO-9401055 A1 1/1994

* cited by examiner

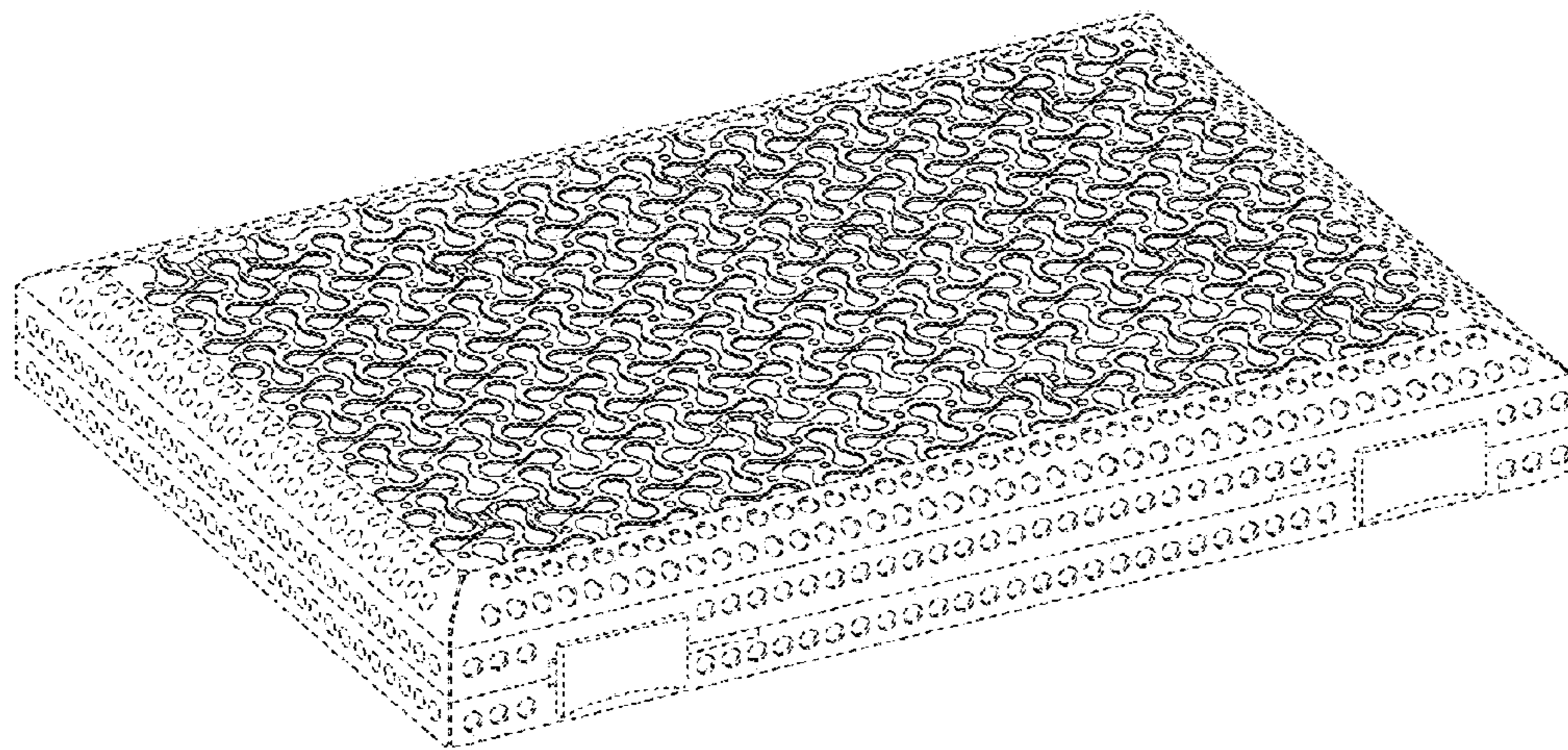


FIG. 1

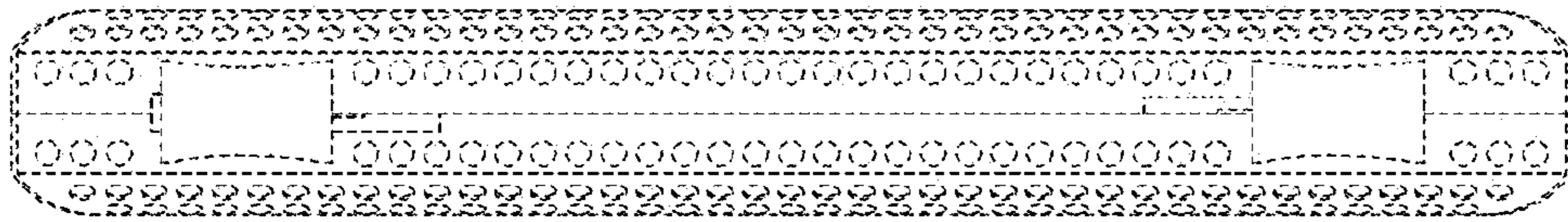


FIG. 2

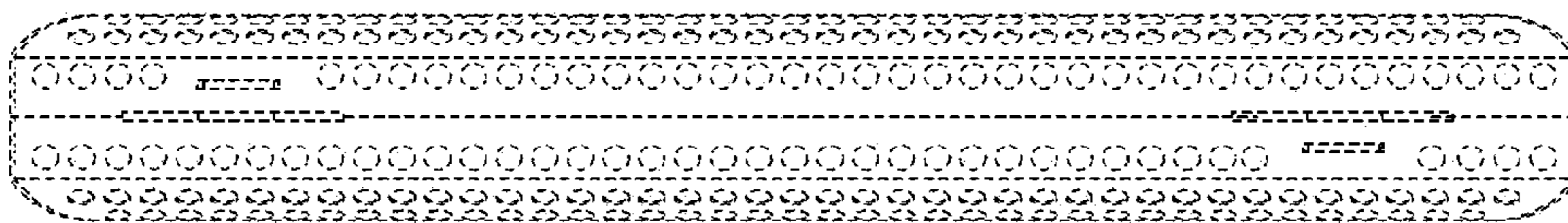


FIG. 3

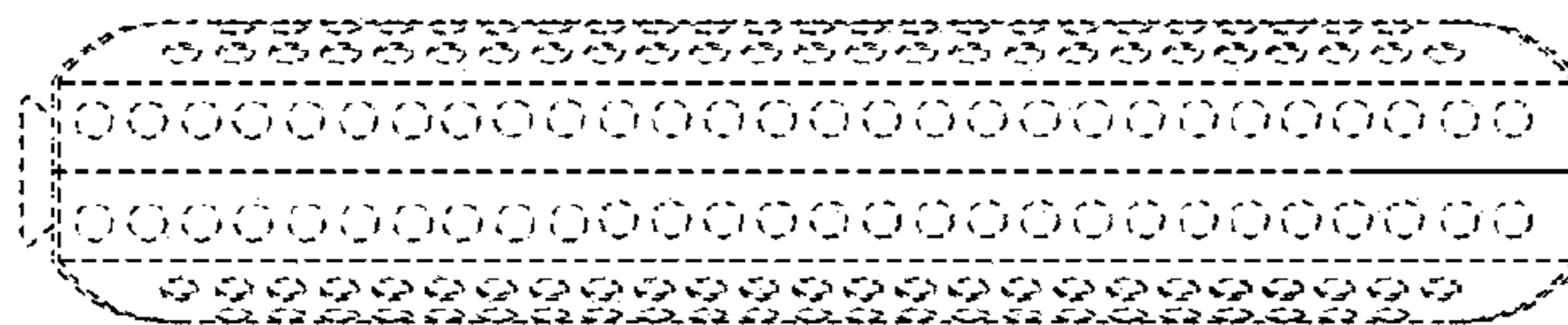


FIG. 4

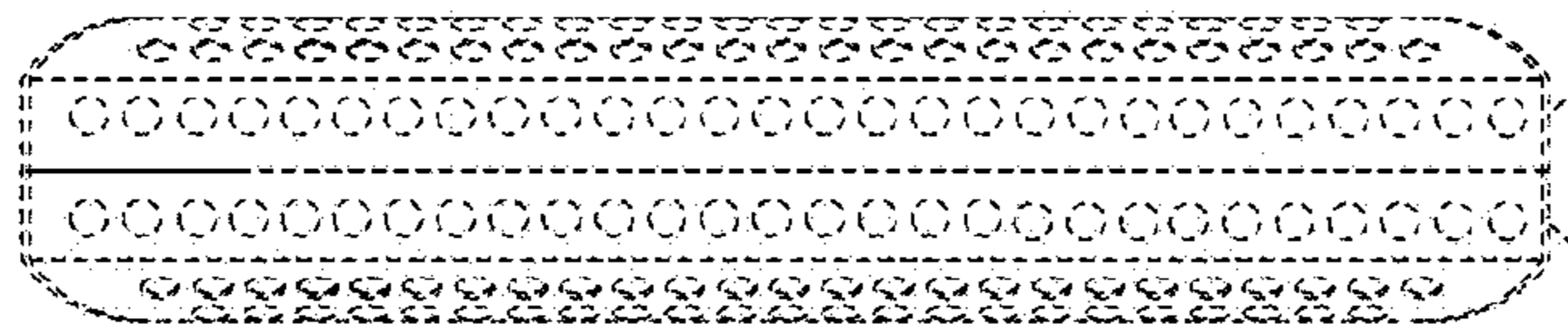


FIG. 5

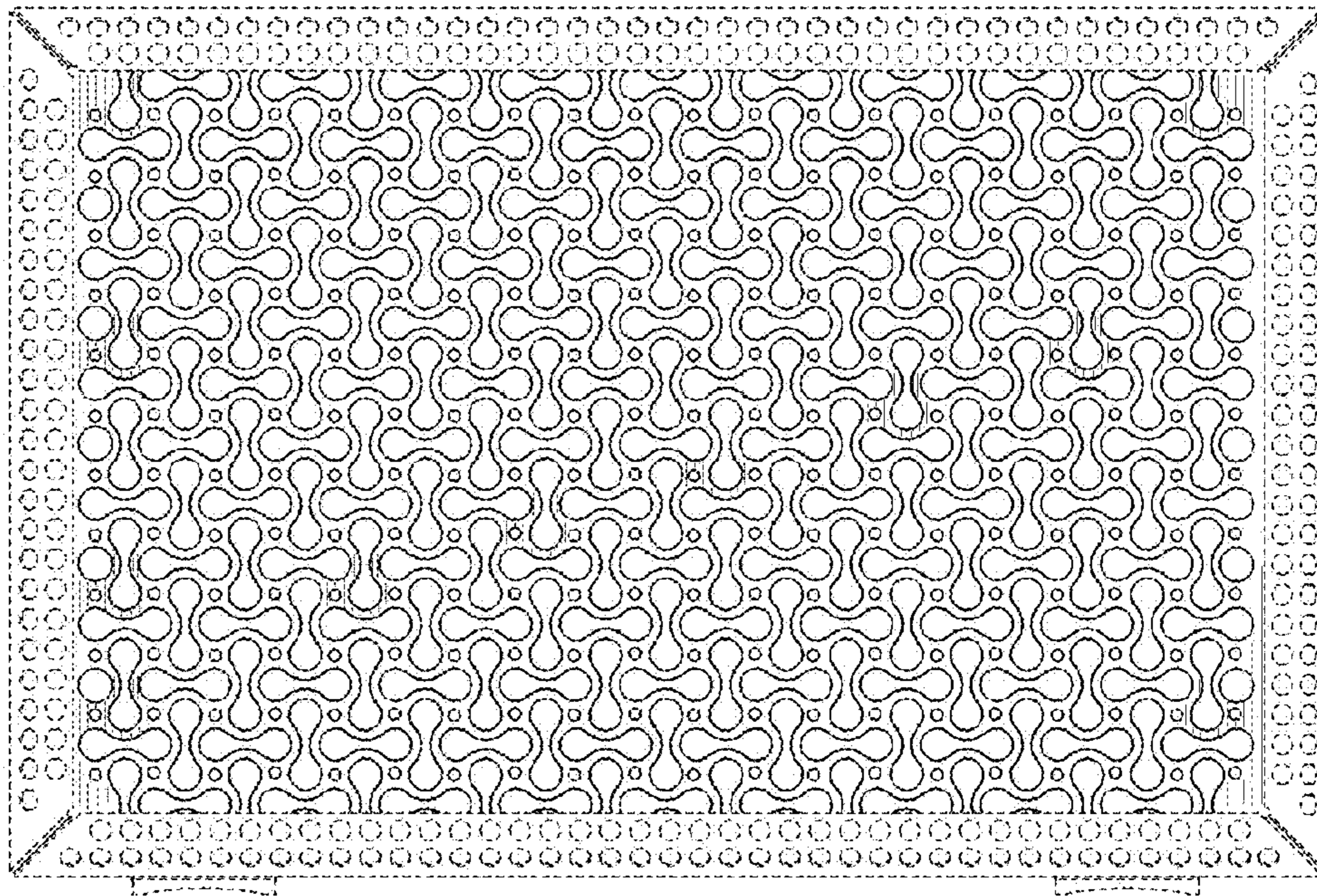


FIG. 6

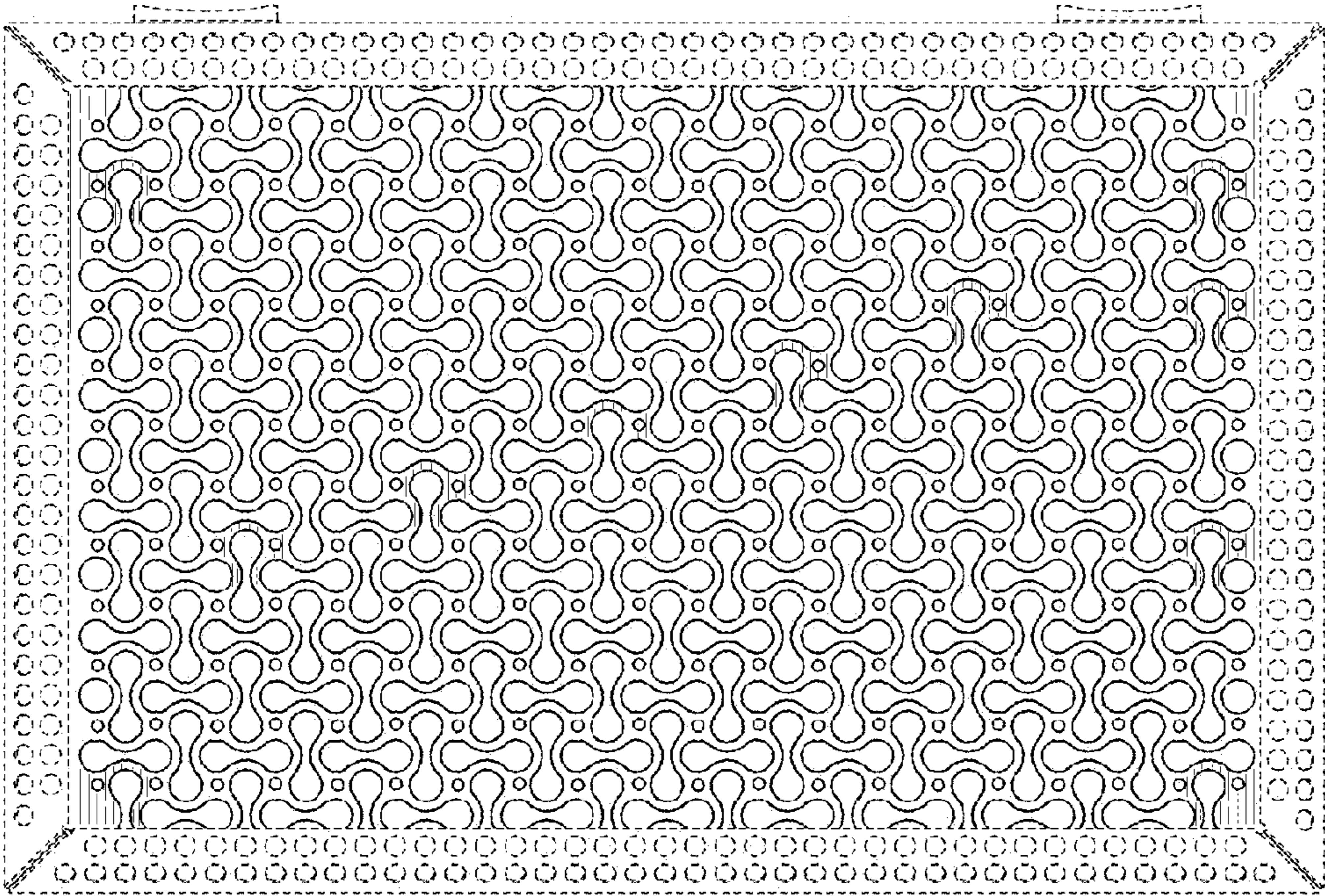


FIG. 7