



US00D704846S

(12) **United States Design Patent**
Daizade

(10) **Patent No.:** **US D704,846 S**

(45) **Date of Patent:** **** May 13, 2014**

(54) **CLUBFOOT ORTHOTIC DEVICE**
(71) Applicant: **UNFO Med Ltd.**, Holon (IL)
(72) Inventor: **Izak Daizade**, Herzelia Pituach (IL)
(73) Assignee: **UNFO Med Ltd.**, Holon (IL)
(**) Term: **14 Years**

D356,378	S	*	3/1995	Kuhn	D24/192
D376,429	S	*	12/1996	Antar	D24/192
5,897,518	A	*	4/1999	Shaw	602/65
D438,972	S	*	3/2001	Darby	D2/943
D440,661	S	*	4/2001	Cionitti	D24/192
D454,640	S	*	3/2002	Darby	D24/192
D509,586	S	*	9/2005	Lee	D24/128
D534,712	S	*	1/2007	Darby, II	D2/896
7,867,184	B2	*	1/2011	Mitchell	602/29
8,083,703	B2	*	12/2011	Daizade	602/23
2007/0142760	A1	*	6/2007	Mitchell	602/29

(21) Appl. No.: **29/441,876**

* cited by examiner

(22) Filed: **Jan. 10, 2013**

Primary Examiner — Susan E Krakower

(30) **Foreign Application Priority Data**

(74) *Attorney, Agent, or Firm* — Roach Brown McCarthy & Gruber, P.C.; Kevin D. McCarthy

Jul. 19, 2012 (IL) 52977

(51) **LOC (10) Cl.** **24-01**

(57) **CLAIM**

(52) **U.S. Cl.**
USPC **D24/192**

The ornamental design for a clubfoot orthotic device, as shown and described.

(58) **Field of Classification Search**
USPC D24/190, 192; D2/896, 919, 943;
602/5, 10, 23, 27, 29, 30, 65; 36/11.5,
36/28, 54, 103, 110
See application file for complete search history.

DESCRIPTION

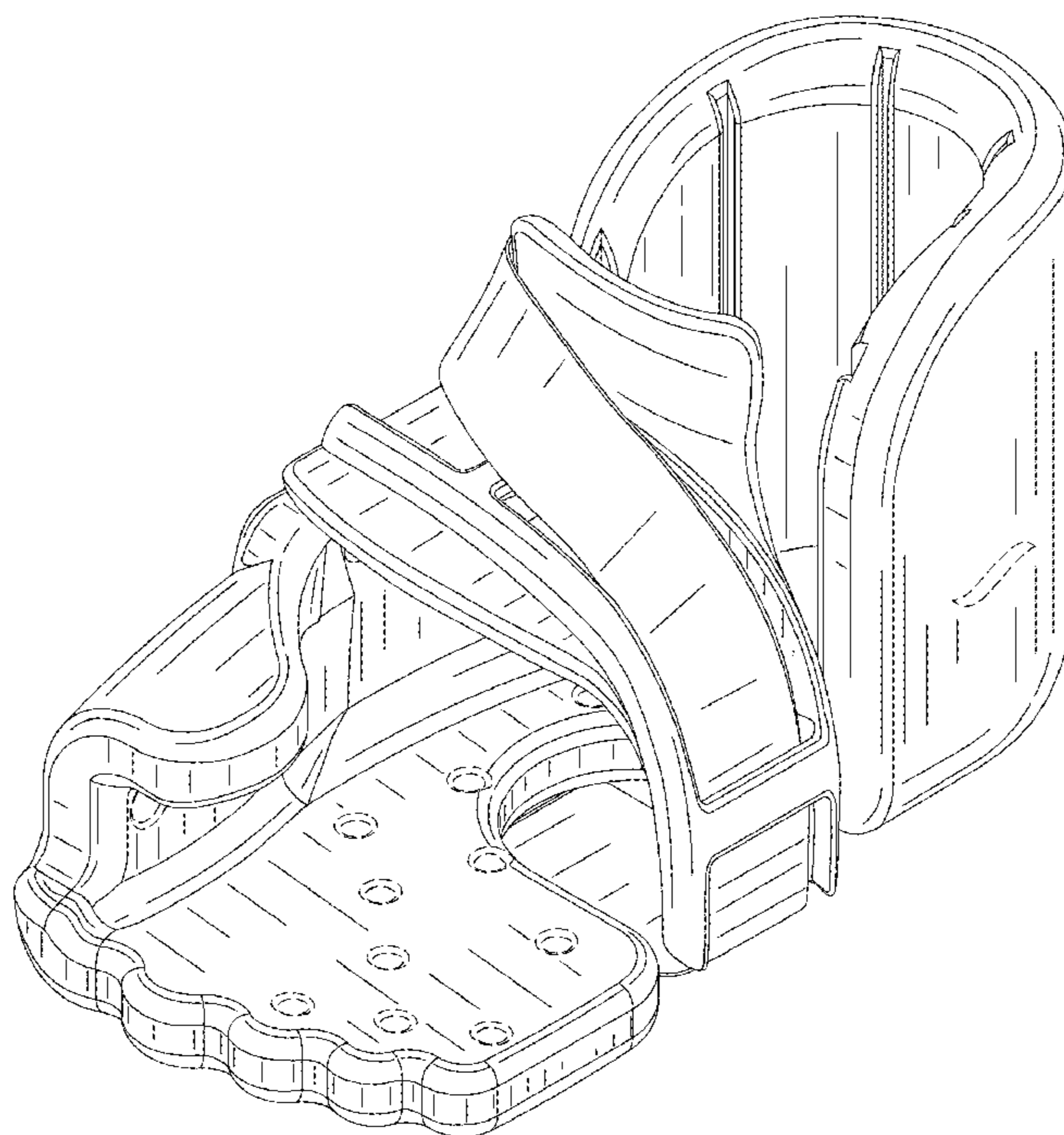
(56) **References Cited**

U.S. PATENT DOCUMENTS

3,198,192	A	*	8/1965	O'Brien	602/10
4,602,626	A	*	7/1986	Johnson	602/27
5,014,448	A	*	5/1991	Perrone	36/110
5,282,782	A	*	2/1994	Kasahara	602/30
D352,784	S	*	11/1994	Cohen et al.	D24/192

FIG. 1 is a perspective view of a clubfoot orthotic device;
FIG. 2 is a front view thereof;
FIG. 3 is a rear view thereof;
FIG. 4 is a right side view thereof;
FIG. 5 is a left side view thereof;
FIG. 6 is a top view thereof; and,
FIG. 7 is a bottom view thereof.
Portions of the clubfoot orthotic device illustrated in broken lines forms no part of the claimed design.

1 Claim, 6 Drawing Sheets



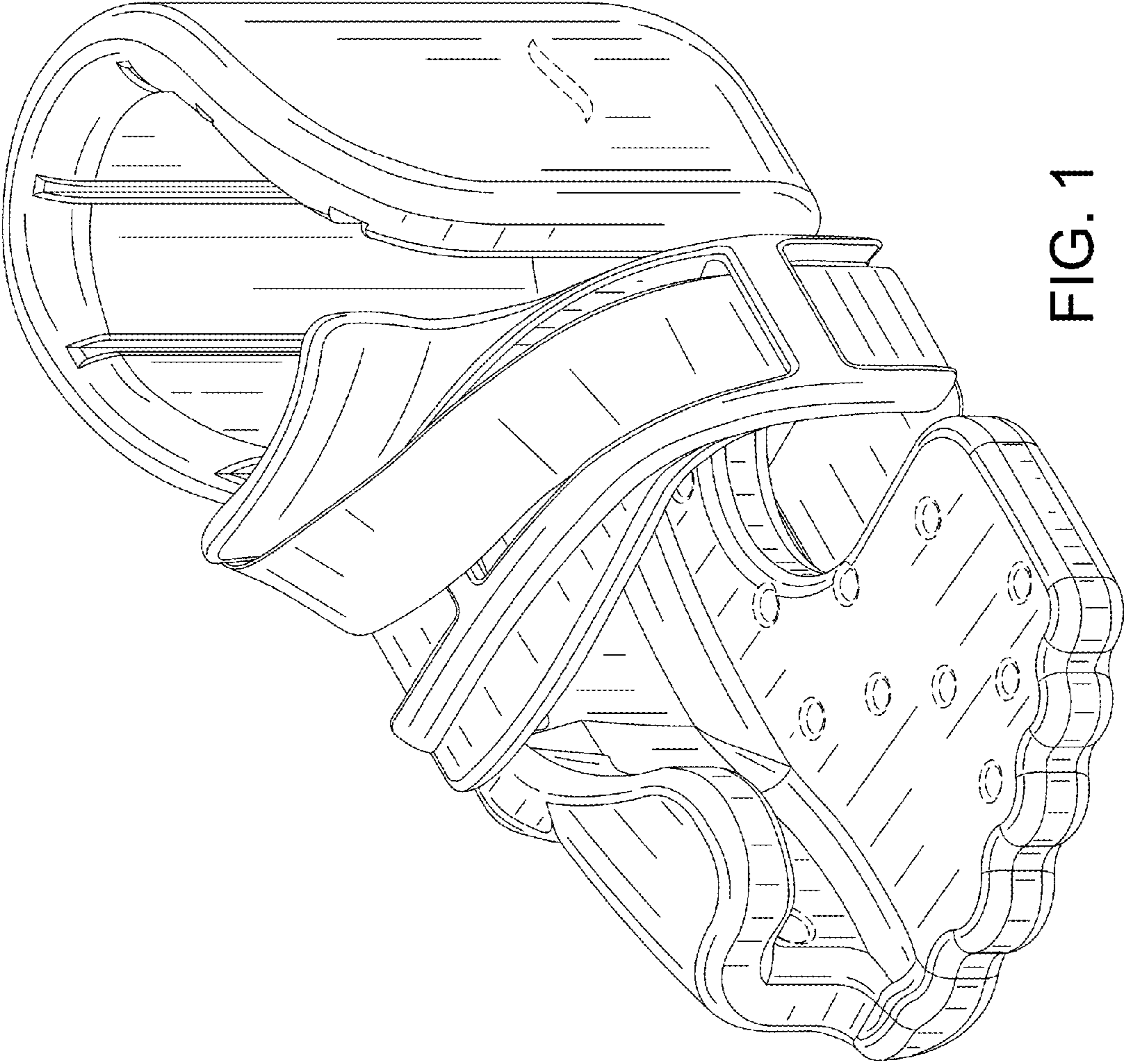


FIG. 1

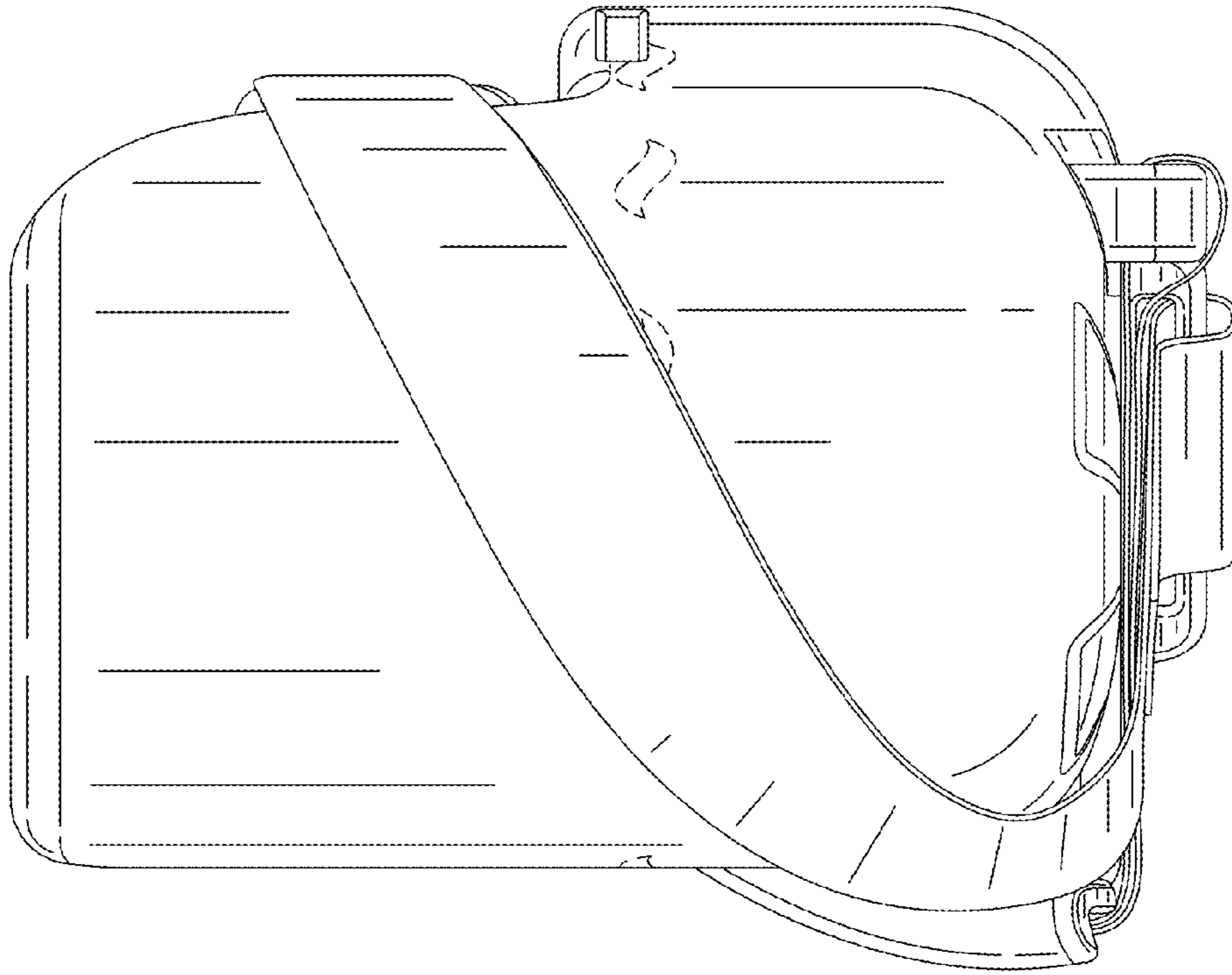


FIG. 3

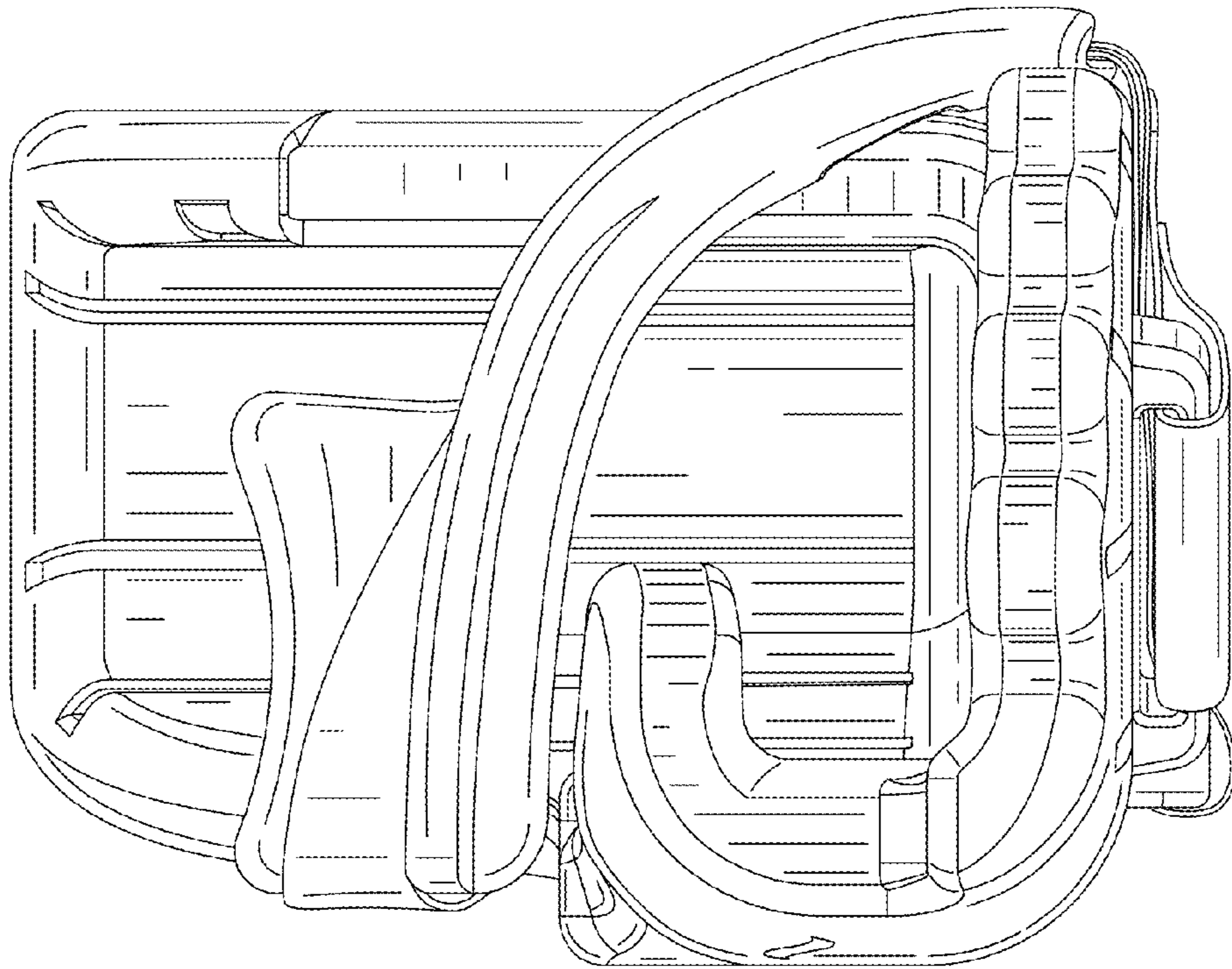


FIG. 2

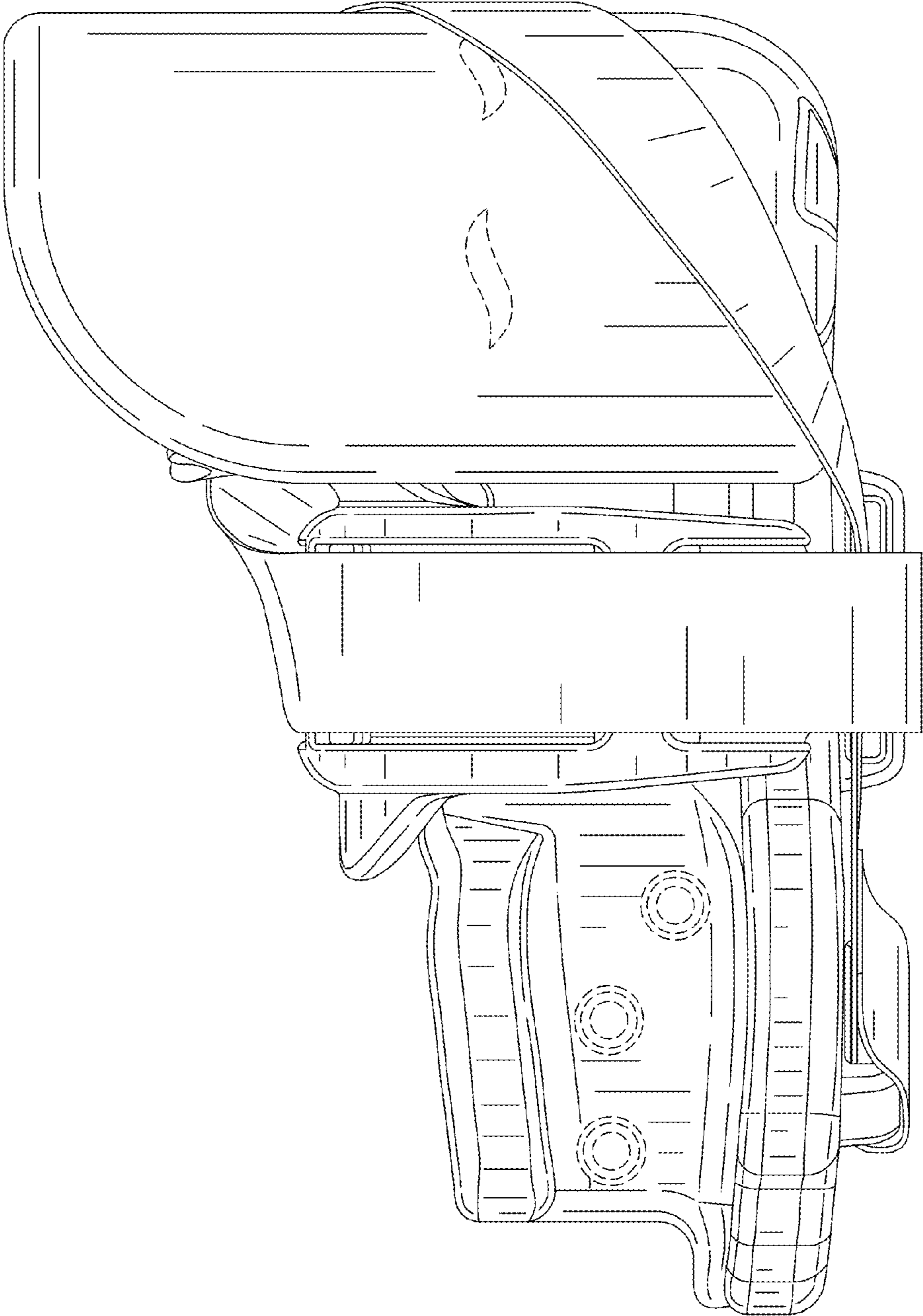


FIG. 4

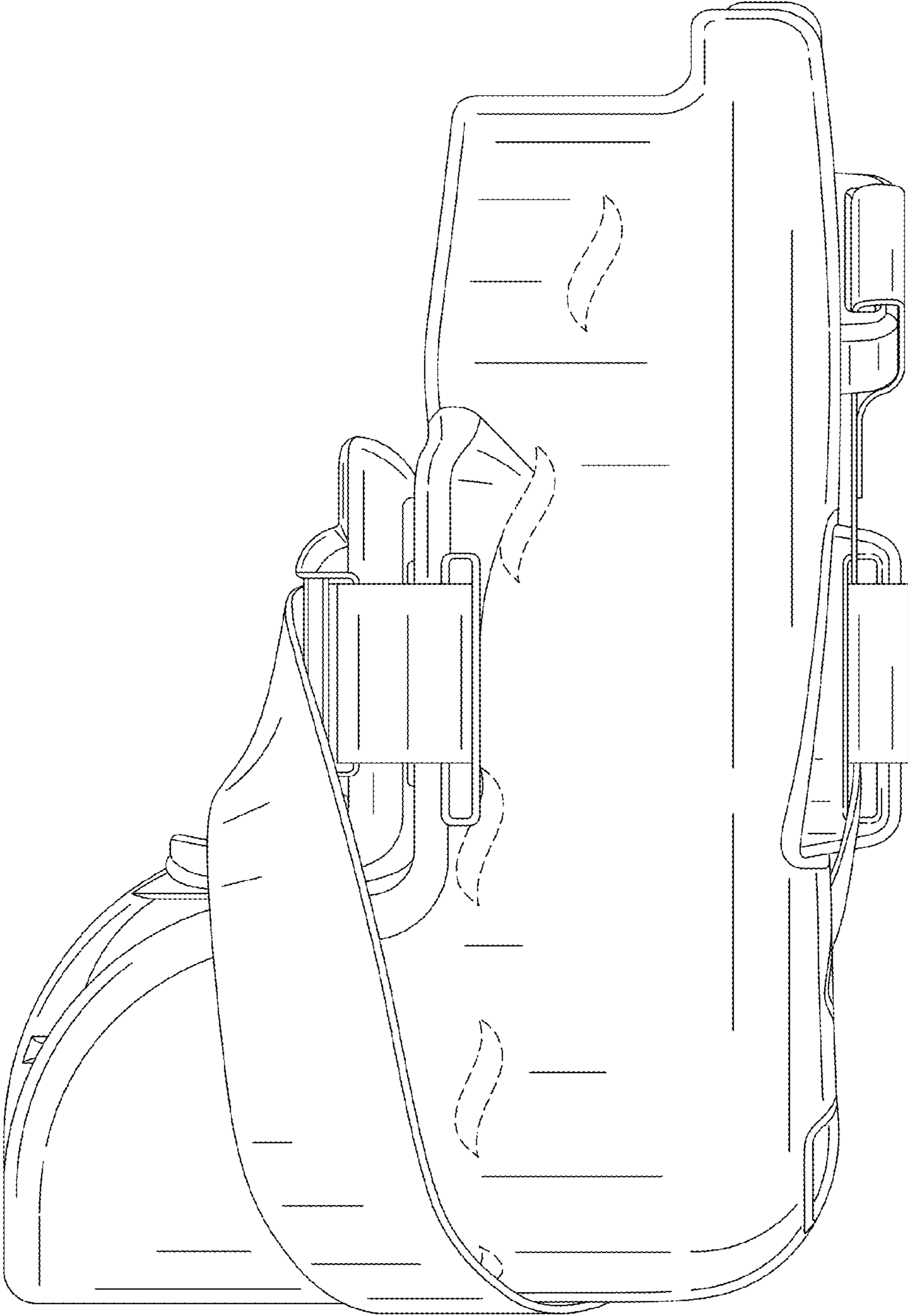


FIG. 5

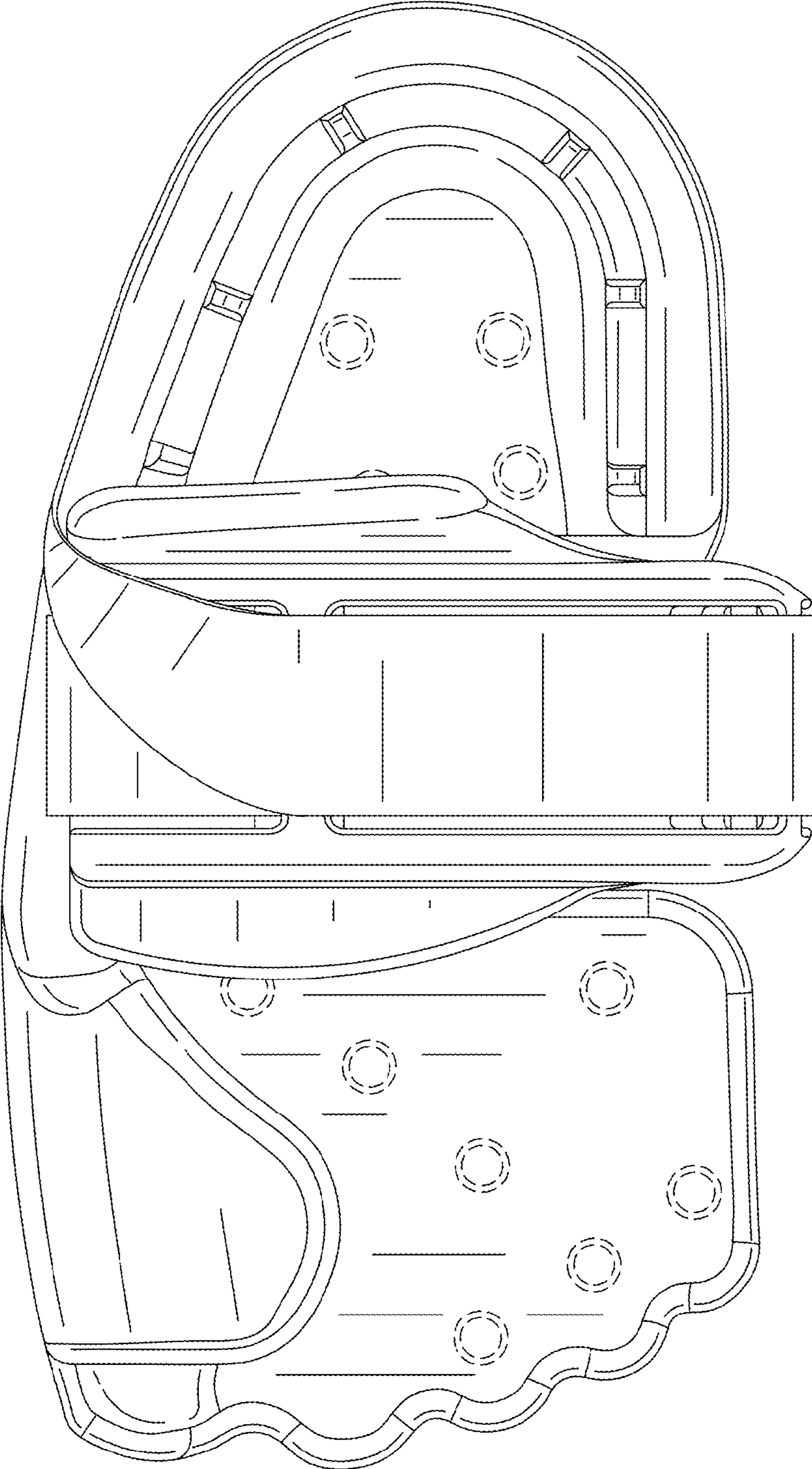


FIG. 6

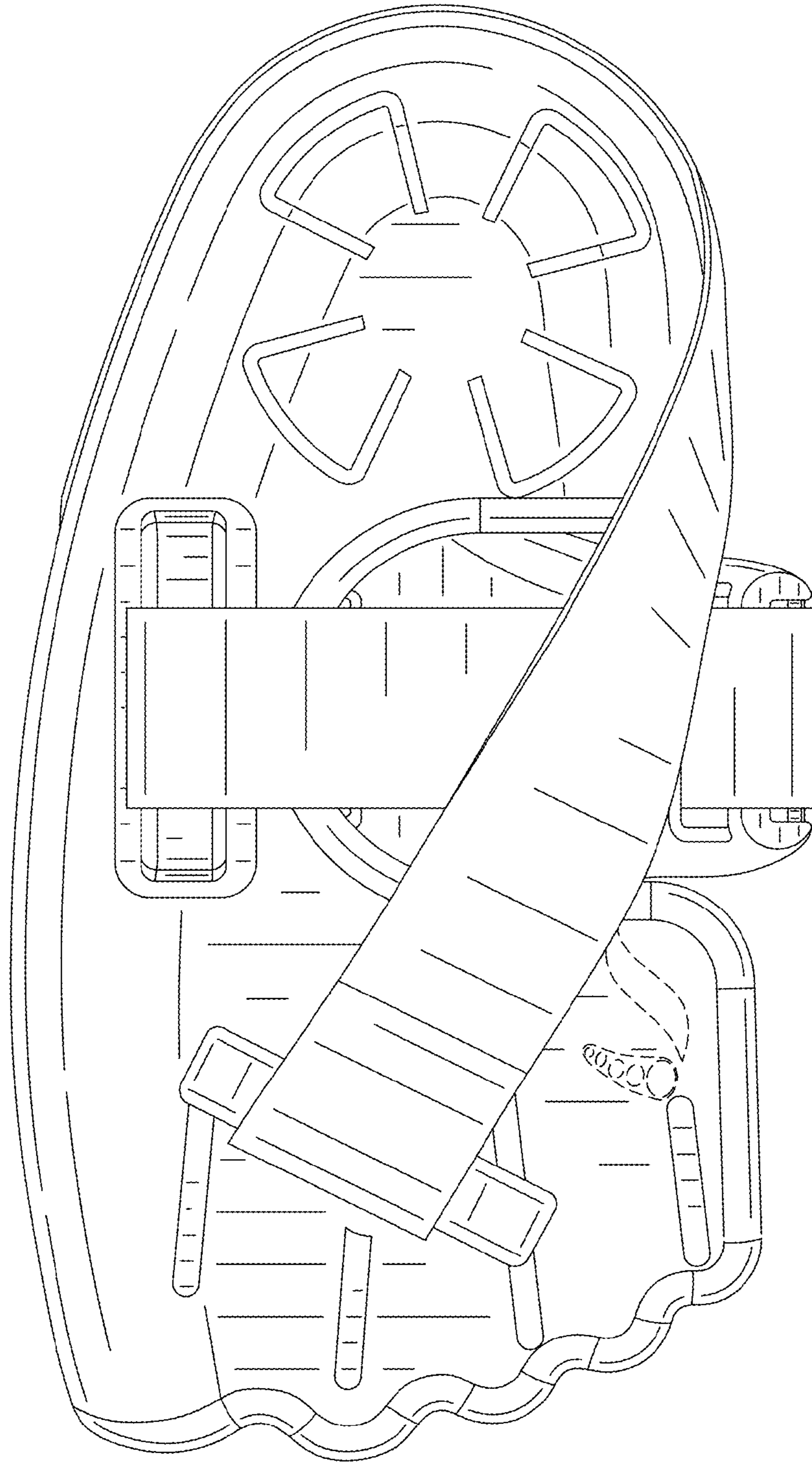


FIG. 7