



US00D704843S

(12) **United States Design Patent**
Singh

(10) **Patent No.:** **US D704,843 S**

(45) **Date of Patent:** **** May 13, 2014**

(54) **SLEEP APPLIANCE**

(76) Inventor: **Gurdev Dave Singh**, Portland, OR (US)

(**) Term: **14 Years**

(21) Appl. No.: **29/426,116**

(22) Filed: **Jun. 29, 2012**

(51) **LOC (10) CI.** **24-02**

(52) **U.S. CI.**
USPC **D24/180**

(58) **Field of Classification Search**
USPC D24/180-182, 152, 176-177; D29/108;
128/848, 859, 861-862; 433/6-7, 19,
433/44; 602/902
See application file for complete search history.

(56) **References Cited**

U.S. PATENT DOCUMENTS

D611,153	S	*	3/2010	Frantz et al.	D24/180
D685,098	S	*	6/2013	Tompkins	D24/180
8,517,029	B2	*	8/2013	Nelissen	128/848
2011/0155144	A1	*	6/2011	Toussaint	128/848
2011/0277774	A1	*	11/2011	Connell	128/848
2012/0295211	A1	*	11/2012	Frantz et al.	433/6
2013/0074848	A1	*	3/2013	Metz	128/848

OTHER PUBLICATIONS

Sleep Apnea Appliance. Sleep Apnea Associates of Texas, 2012 [retrieved on Dec. 3, 2013]. Retrieved from the Internet: <URL: <http://www.sleepapneatx.com/treatment/>>.*

* cited by examiner

Primary Examiner — Wan Laymon

(74) *Attorney, Agent, or Firm* — Peter A Haas Esquire LLC

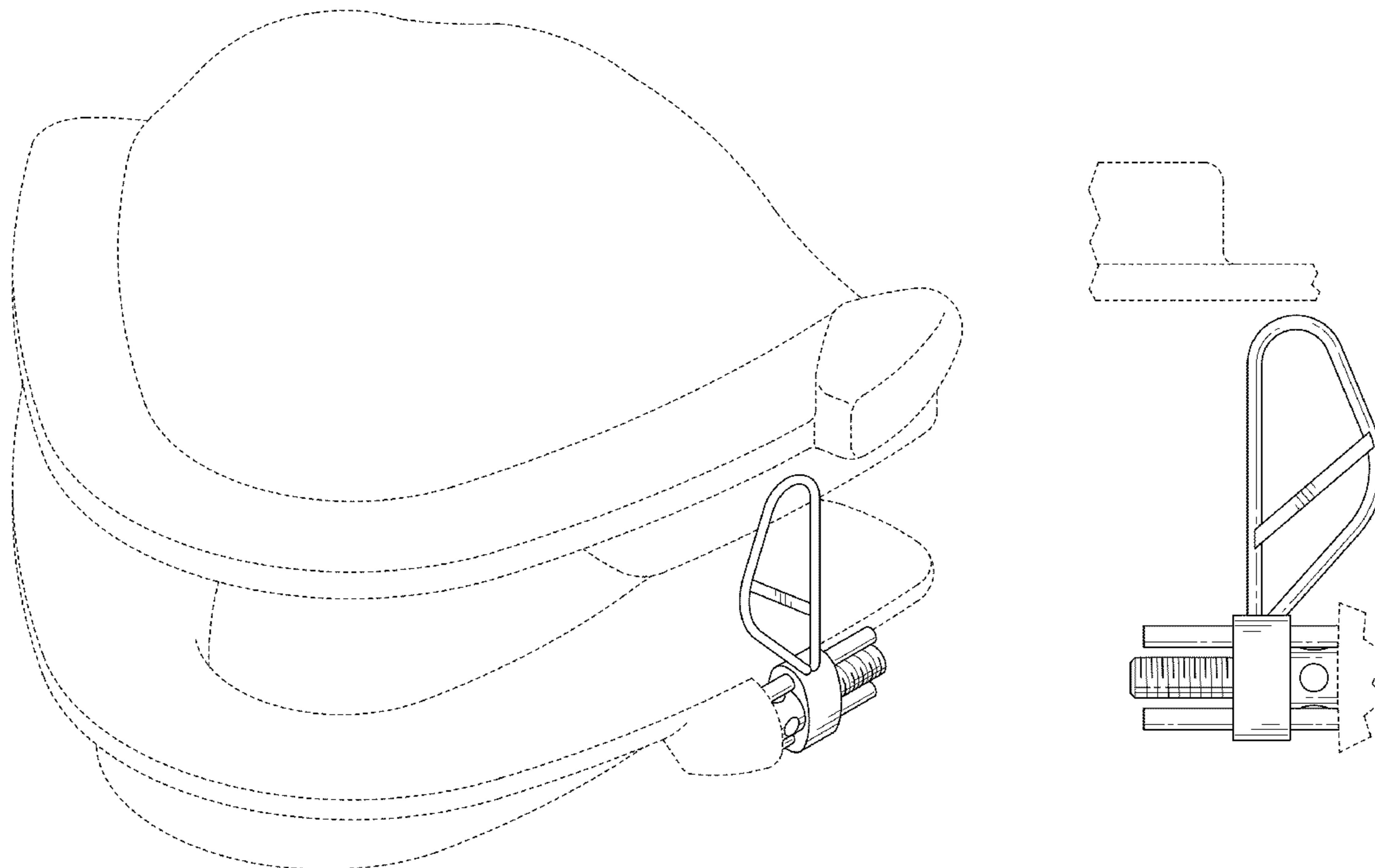
(57) **CLAIM**

The ornamental design for a sleep appliance, as shown and described.

DESCRIPTION

FIG. 1 is an offset top view of a sleep appliance. FIG. 2 is a left side view of the sleep appliance of FIG. 1. FIG. 3 is a front view of the sleep appliance of FIG. 1. FIG. 4 is a right side view of the sleep appliance of FIG. 1. FIG. 5 is a back view of the sleep appliance of FIG. 1. FIG. 6 is a top view of the sleep appliance of FIG. 1; and, FIG. 7 is a bottom view of the sleep appliance of FIG. 1. The broken lines in the figures are included for the purpose of illustrating portions of the sleep appliance form no part of the claimed design.

1 Claim, 3 Drawing Sheets



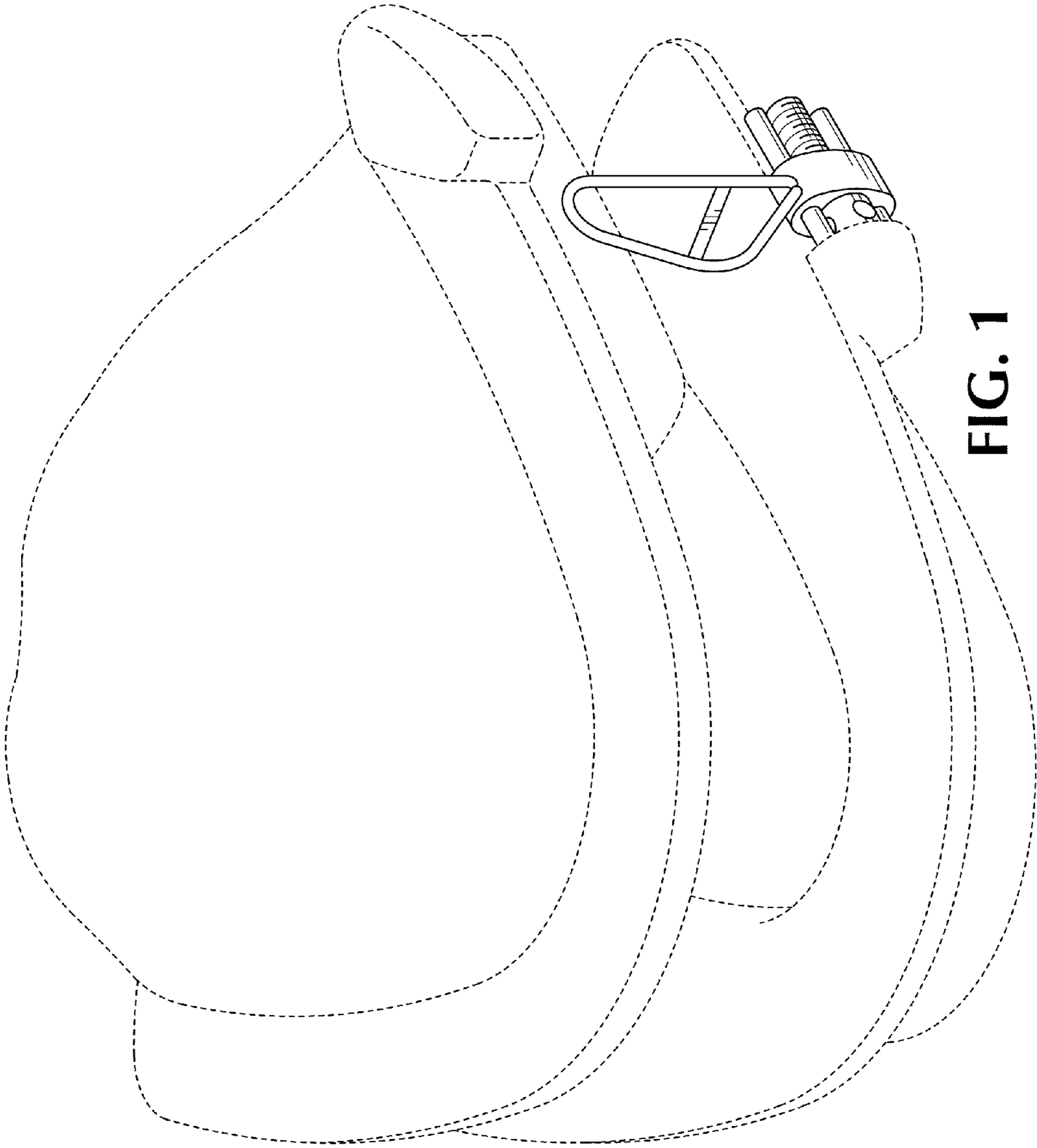


FIG. 1

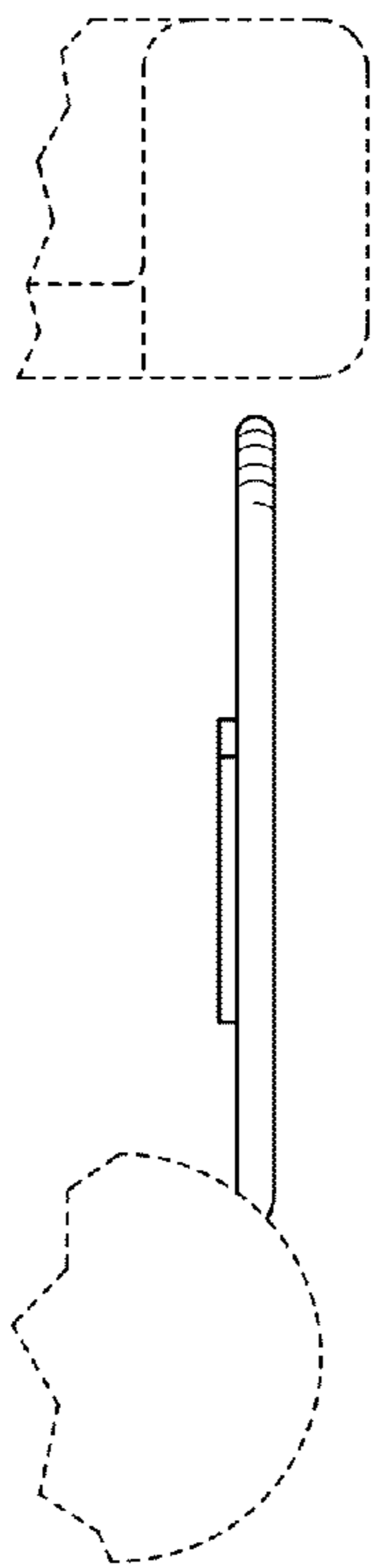


FIG. 2

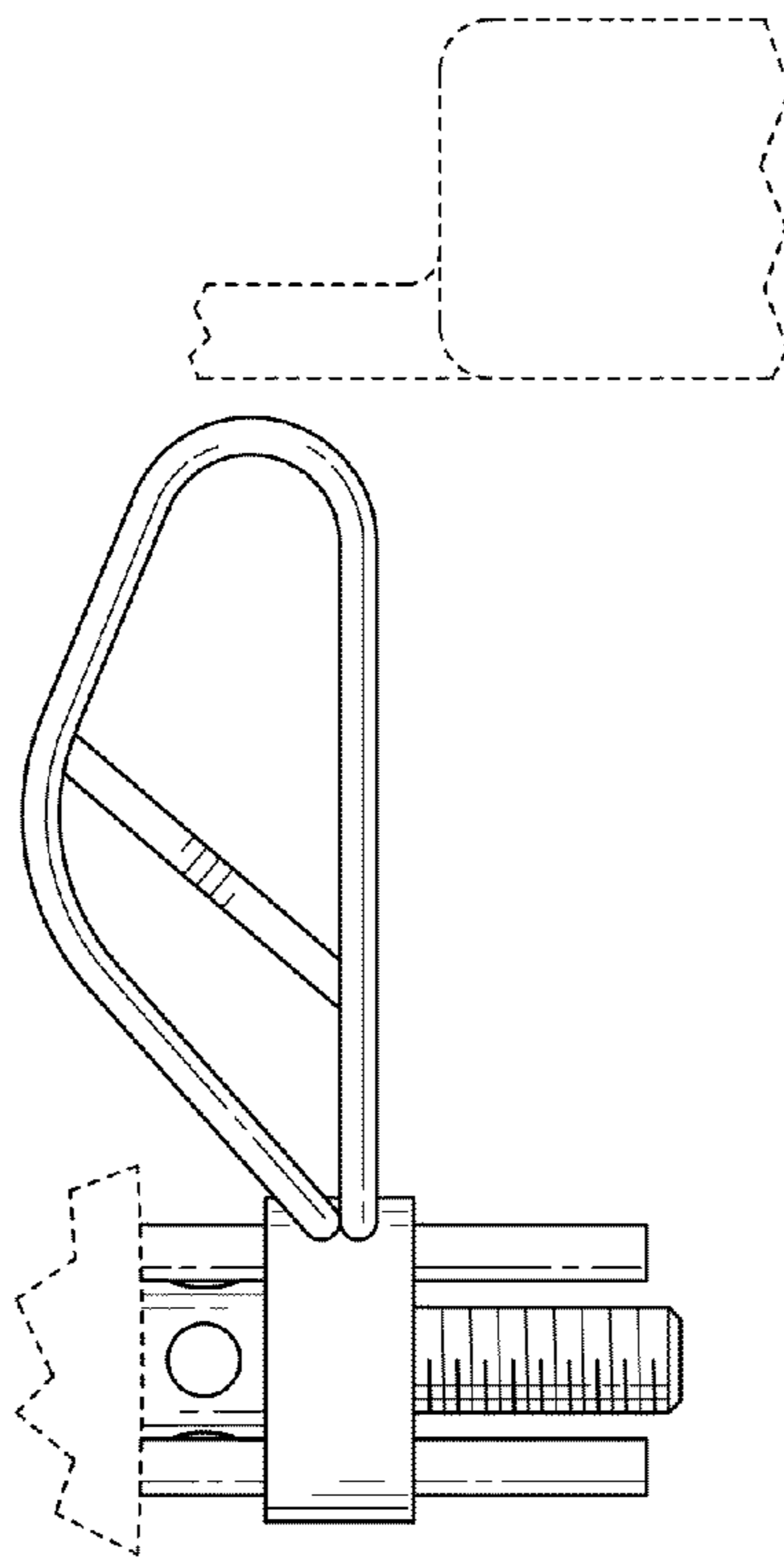


FIG. 3

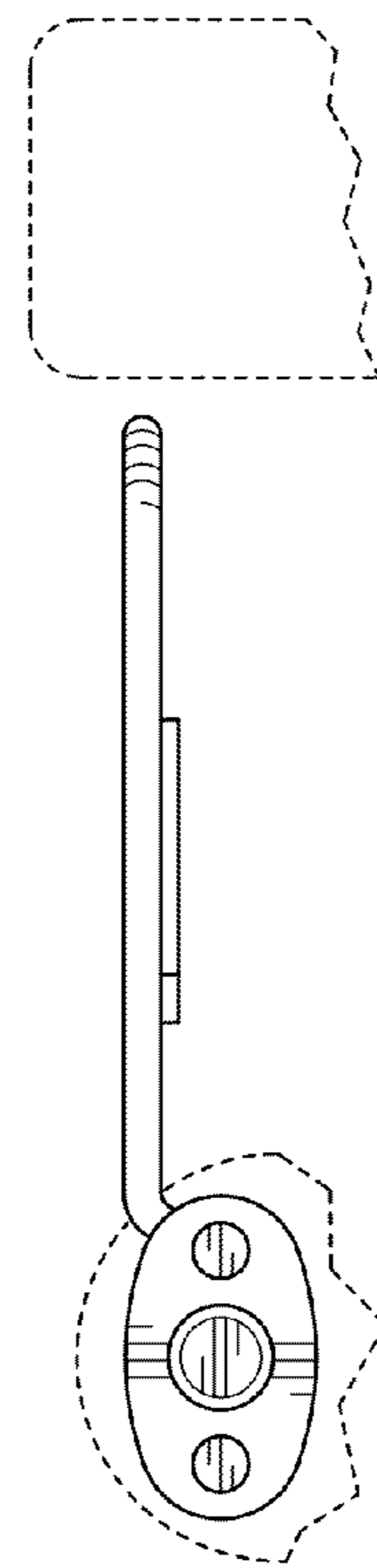


FIG. 4

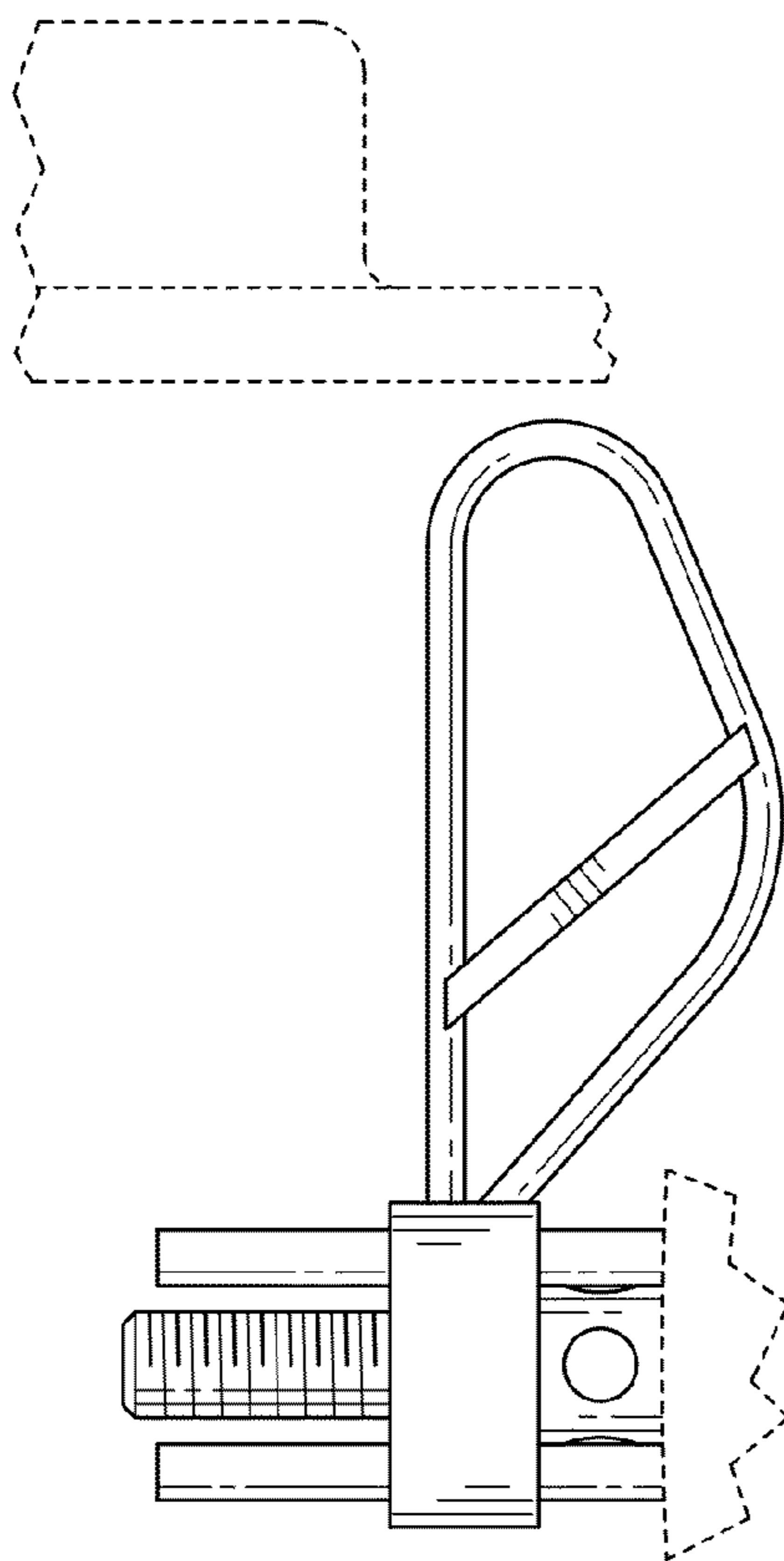


FIG. 5

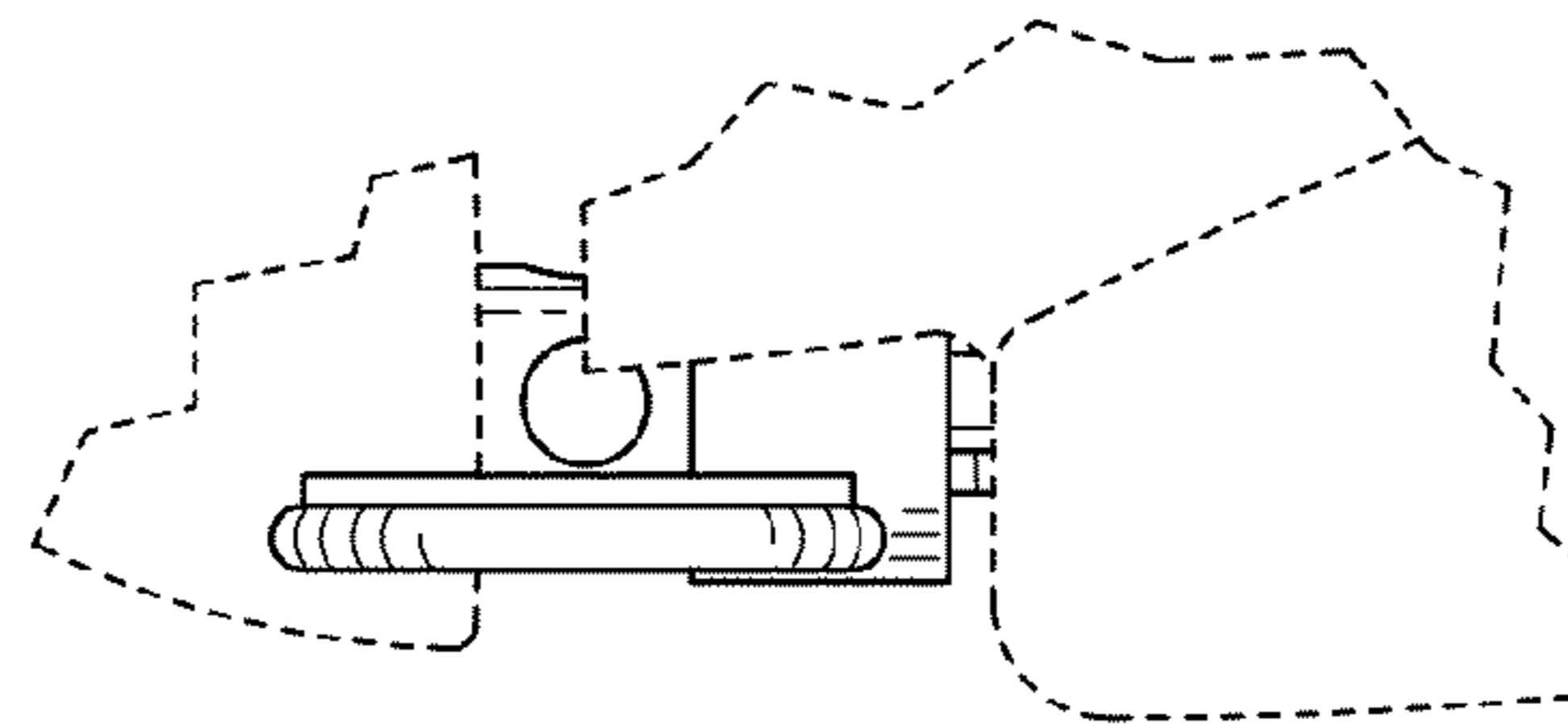


FIG. 6

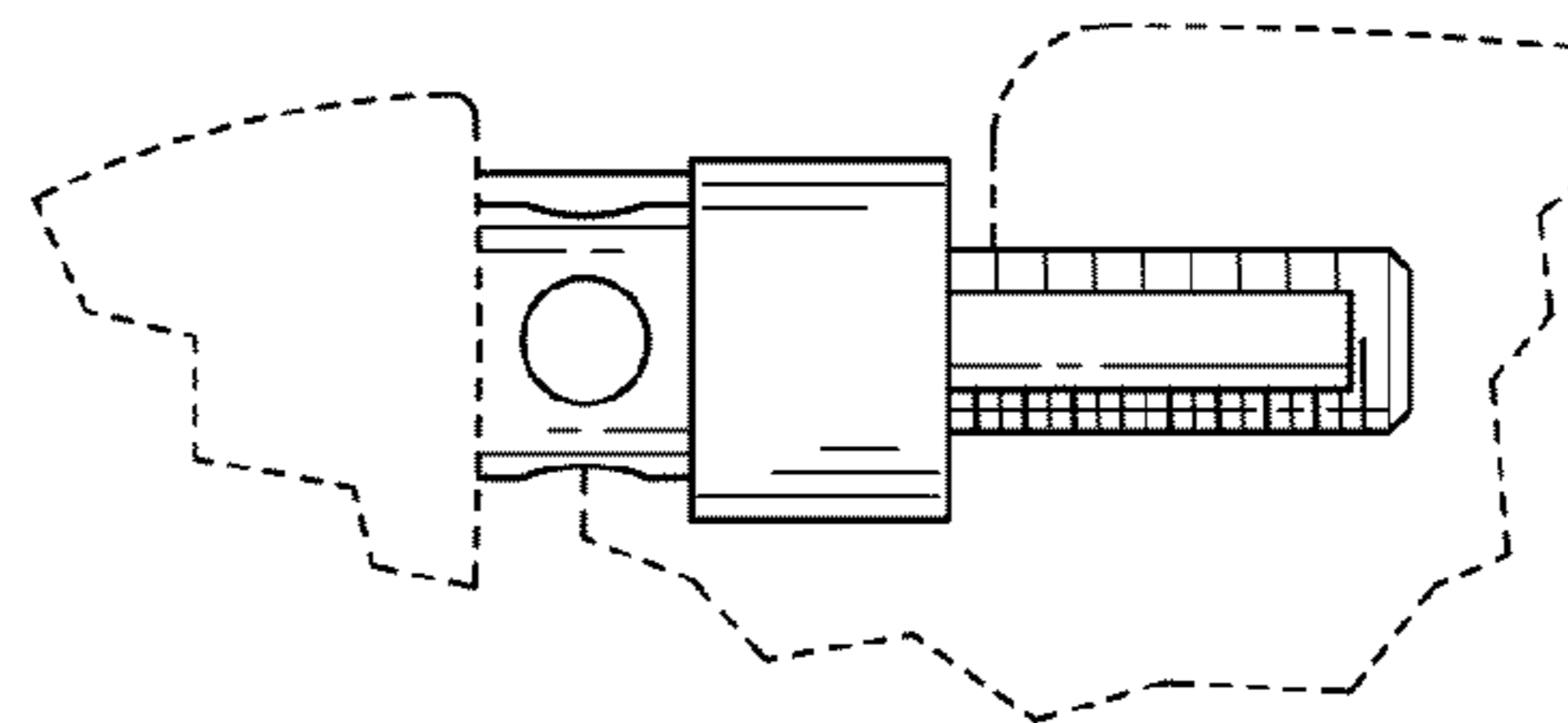


FIG. 7