



US00D704841S

(12) **United States Design Patent**  
**Ritchey et al.**

(10) **Patent No.:** **US D704,841 S**

(45) **Date of Patent:** **\*\* \*May 13, 2014**

(54) **LANDMARK IDENTIFIER FOR TARGETING AN ORTHOPAEDIC IMPLANT**

4,621,628 A 11/1986 Brudermann  
D297,047 S 8/1988 Hon et al.  
4,794,930 A 1/1989 Machida et al.

(Continued)

(71) Applicant: **Smith & Nephew, Inc.**, Memphis, TN (US)

FOREIGN PATENT DOCUMENTS

(72) Inventors: **Nicholas S. Ritchey**, Collierville, TN (US); **Gary F. Prokop**, Wheaton, IL (US); **Adam M. Ruggles**, Columbus, OH (US)

CA 2571508 A1 12/2006  
CN 2698283 Y 5/2005

(Continued)

(73) Assignee: **Smith & Nephew, Inc.**, Memphis, TN (US)

OTHER PUBLICATIONS

(\*) Notice: This patent is subject to a terminal disclaimer.

“Guiding Star with the Lidis module,” Eklptik, 2007.

(Continued)

(\*\*) Term: **14 Years**

*Primary Examiner* — Robert M Spear

*Assistant Examiner* — Rhea Shields

(21) Appl. No.: **29/434,854**

(74) *Attorney, Agent, or Firm* — Fish & Richardson P.C.

(22) Filed: **Oct. 17, 2012**

(57) **CLAIM**

The ornamental design for a landmark identifier for targeting an orthopaedic implant, as shown and described.

**Related U.S. Application Data**

(63) Continuation of application No. 12/547,719, filed on Aug. 26, 2009, now Pat. No. 8,086,734.

**DESCRIPTION**

(51) **LOC (10) Cl.** ..... **24-00**

FIG. 1 is a perspective view of an implementation of a landmark identifier for targeting an orthopaedic implant, showing our new design.

(52) **U.S. Cl.**

USPC ..... **D24/171**

FIG. 2 is a side view of the design of FIG. 1.

FIG. 3 is a front view of the design of FIG. 1.

(58) **Field of Classification Search**

USPC ..... D24/171, 155, 158, 187; 606/96–98; 600/424, 426, 407

FIG. 4 is a perspective view of another implementation of our new design.

FIG. 5 is a side view of the design of FIG. 4; and,

FIG. 6 is a front view of the design of FIG. 4.

See application file for complete search history.

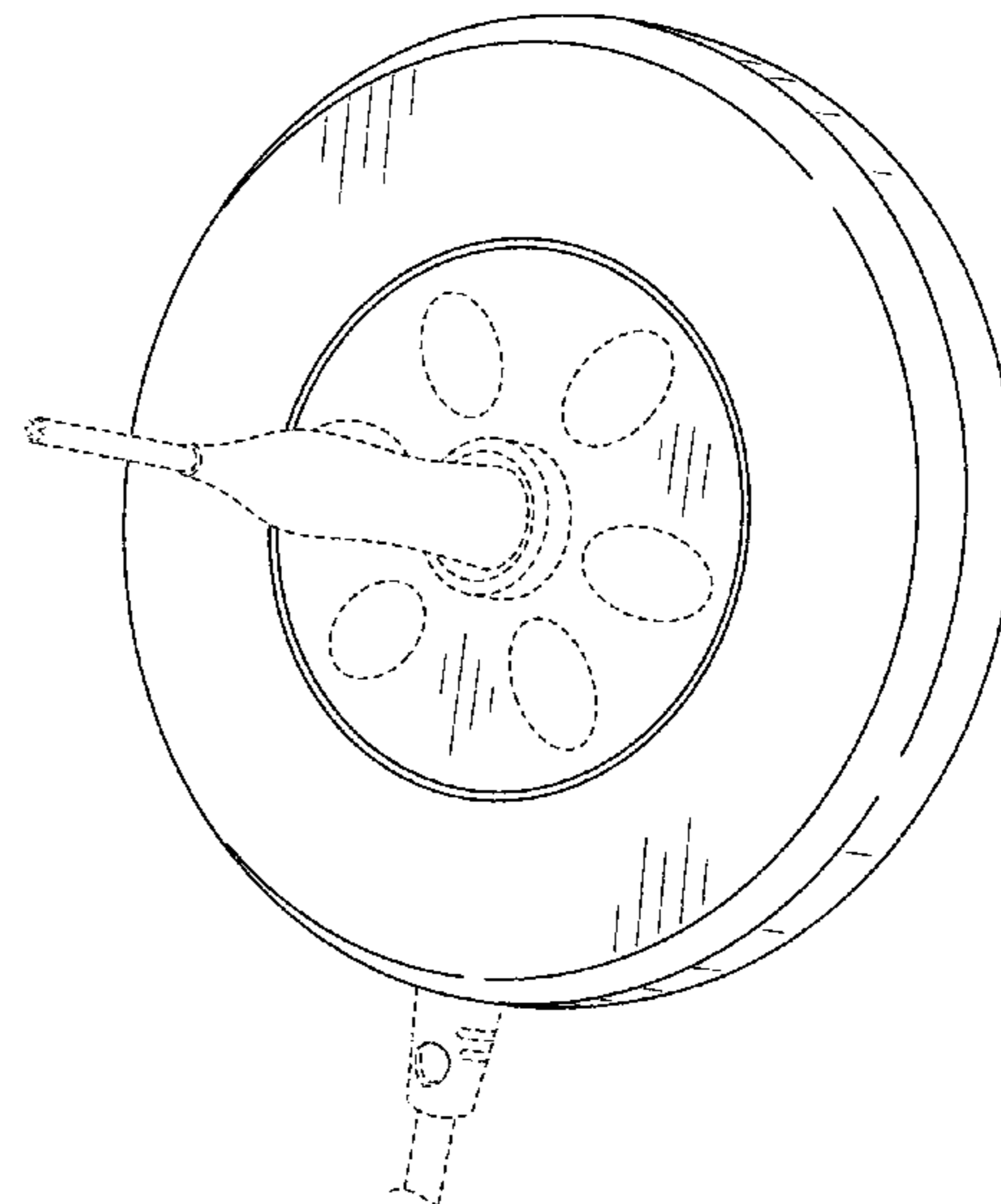
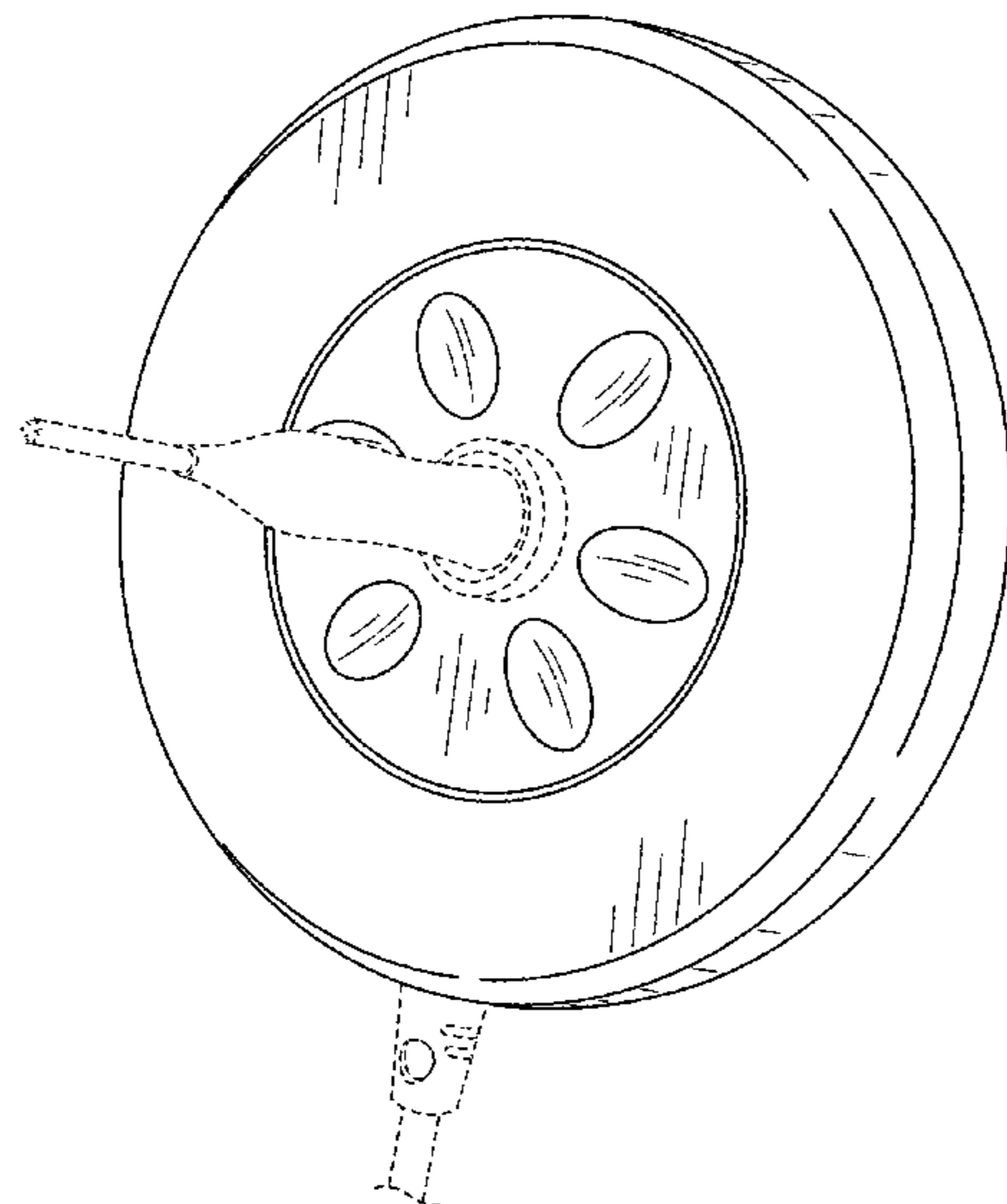
The broken lines in the figures illustrate unclaimed environment only and form no part of the claimed design. The rear of the article forms no part of the claimed design.

(56) **References Cited**

U.S. PATENT DOCUMENTS

3,219,969 A 11/1965 Snavelly  
4,353,110 A 10/1982 Ellis  
4,532,599 A 7/1985 Smith

**1 Claim, 6 Drawing Sheets**



(56)

References Cited

U.S. PATENT DOCUMENTS

|              |     |         |                            |              |    |         |                    |
|--------------|-----|---------|----------------------------|--------------|----|---------|--------------------|
| 4,803,976    | A   | 2/1989  | Frigg et al.               | 2005/0027301 | A1 | 2/2005  | Stihl              |
| 5,049,151    | A   | 9/1991  | Durham et al.              | 2005/0027304 | A1 | 2/2005  | Leloup et al.      |
| 5,127,913    | A   | 7/1992  | Thomas                     | 2005/0035115 | A1 | 2/2005  | Anderson et al.    |
| 5,217,009    | A   | 6/1993  | Kronberg                   | 2005/0035116 | A1 | 2/2005  | Brown et al.       |
| 5,281,224    | A   | 1/1994  | Faccioli et al.            | 2005/0043726 | A1 | 2/2005  | McHale et al.      |
| 5,361,766    | A   | 11/1994 | Nichols et al.             | 2005/0059885 | A1 | 3/2005  | Melkent et al.     |
| 5,383,917    | A   | 1/1995  | Desai et al.               | 2005/0070916 | A1 | 3/2005  | Hollstien et al.   |
| 5,411,503    | A   | 5/1995  | Hollstien et al.           | 2005/0075562 | A1 | 4/2005  | Szakelyhidi et al. |
| 5,417,688    | A   | 5/1995  | Elstrom et al.             | 2005/0075632 | A1 | 4/2005  | Russell et al.     |
| 5,433,720    | A   | 7/1995  | Faccioli et al.            | 2005/0080335 | A1 | 4/2005  | Simon et al.       |
| 5,514,145    | A   | 5/1996  | Durham et al.              | 2005/0080427 | A1 | 4/2005  | Govari et al.      |
| 5,580,156    | A   | 12/1996 | Suzuki et al.              | 2005/0085714 | A1 | 4/2005  | Foley et al.       |
| 5,584,838    | A   | 12/1996 | Rona et al.                | 2005/0085715 | A1 | 4/2005  | Dukesherer et al.  |
| 5,585,783    | A   | 12/1996 | Hall                       | 2005/0099290 | A1 | 5/2005  | Govari             |
| 5,957,836    | A   | 9/1999  | Johnson                    | 2005/0124988 | A1 | 6/2005  | Terrill et al.     |
| 5,957,934    | A   | 9/1999  | Rapoport                   | 2005/0143726 | A1 | 6/2005  | Bortkiewicz        |
| 6,009,878    | A   | 1/2000  | Weijand et al.             | 2005/0197569 | A1 | 9/2005  | McCombs            |
| 6,036,696    | A   | 3/2000  | Lambrecht et al.           | 2005/0228270 | A1 | 10/2005 | Lloyd et al.       |
| 6,039,742    | A   | 3/2000  | Krettek et al.             | 2005/0242087 | A1 | 11/2005 | Anderson et al.    |
| 6,081,741    | A   | 6/2000  | Hollis                     | 2005/0245821 | A1 | 11/2005 | Govari et al.      |
| 6,157,853    | A   | 12/2000 | Blume et al.               | 2005/0261700 | A1 | 11/2005 | Tuma et al.        |
| 6,162,228    | A   | 12/2000 | Durham                     | 2006/0015031 | A1 | 1/2006  | Kienzle            |
| 6,174,335    | B1  | 1/2001  | Varieur et al.             | 2006/0029186 | A1 | 2/2006  | De Villiers et al. |
| 6,212,419    | B1  | 4/2001  | Blume et al.               | 2006/0052782 | A1 | 3/2006  | Morgan et al.      |
| 6,233,490    | B1  | 5/2001  | Kasevich                   | 2006/0074405 | A1 | 4/2006  | Malackowski et al. |
| 6,267,770    | B1  | 7/2001  | Truwit                     | 2006/0106400 | A1 | 5/2006  | Fernandez et al.   |
| 6,304,091    | B1  | 10/2001 | Shahoian et al.            | 2006/0142656 | A1 | 6/2006  | Malackowski et al. |
| 6,311,082    | B1  | 10/2001 | Creighton et al.           | 2006/0293593 | A1 | 12/2006 | Govari et al.      |
| 6,474,341    | B1  | 11/2002 | Hunter et al.              | 2007/0093709 | A1 | 4/2007  | Abernathie         |
| 6,503,249    | B1  | 1/2003  | Krause                     | 2007/0129629 | A1 | 6/2007  | Beauregard et al.  |
| 6,636,757    | B1  | 10/2003 | Jascob et al.              | 2007/0162018 | A1 | 7/2007  | Jensen et al.      |
| 6,675,491    | B2  | 1/2004  | Ooyama et al.              | 2007/0167744 | A1 | 7/2007  | Beauregard et al.  |
| 6,694,168    | B2  | 2/2004  | Traxel et al.              | 2007/0191827 | A1 | 8/2007  | Lischinsky et al.  |
| 6,718,194    | B2  | 4/2004  | Kienzle                    | 2007/0208251 | A1 | 9/2007  | Anderson et al.    |
| 6,747,253    | B1  | 6/2004  | Firth et al.               | 2007/0225595 | A1 | 9/2007  | Malackowski et al. |
| 6,807,446    | B2  | 10/2004 | Fenn et al.                | 2007/0255132 | A1 | 11/2007 | Shalgi et al.      |
| 6,890,332    | B2  | 5/2005  | Truckai et al.             | 2007/0276370 | A1 | 11/2007 | Altarac et al.     |
| 7,001,346    | B2  | 2/2006  | White                      | 2007/0282440 | A1 | 12/2007 | Visentin           |
| 7,029,478    | B2  | 4/2006  | Hollstien et al.           | 2008/0039857 | A1 | 2/2008  | Giersch et al.     |
| 7,060,075    | B2  | 6/2006  | Govari et al.              | 2008/0086145 | A1 | 4/2008  | Sherman et al.     |
| D528,211     | S   | 9/2006  | Solar et al.               | 2008/0221628 | A1 | 9/2008  | Milbocker et al.   |
| 7,130,676    | B2  | 10/2006 | Barrick                    | 2008/0228195 | A1 | 9/2008  | von Jako et al.    |
| 7,152,608    | B2  | 12/2006 | Hunter et al.              | 2008/0255560 | A1 | 10/2008 | Myers et al.       |
| 7,217,276    | B2  | 5/2007  | Henderson et al.           | 2008/0269596 | A1 | 10/2008 | Revie et al.       |
| 7,294,133    | B2  | 11/2007 | Zink et al.                | 2008/0281326 | A1 | 11/2008 | Watanabe et al.    |
| 7,295,184    | B2  | 11/2007 | Suprun et al.              | 2008/0281334 | A1 | 11/2008 | Zheng et al.       |
| 7,358,481    | B2  | 4/2008  | Yeoh et al.                | 2009/0024023 | A1 | 1/2009  | Welches et al.     |
| 7,477,926    | B2  | 1/2009  | McCombs                    | 2009/0054910 | A1 | 2/2009  | Zheng et al.       |
| 7,532,997    | B2  | 5/2009  | Li et al.                  | 2009/0088756 | A1 | 4/2009  | Anderson           |
| 7,542,791    | B2  | 6/2009  | Mire et al.                | 2009/0099404 | A1 | 4/2009  | Kraus et al.       |
| 7,549,960    | B2  | 6/2009  | Govari                     | 2009/0165573 | A1 | 7/2009  | Ledoux et al.      |
| 7,575,550    | B1  | 8/2009  | Govari                     | 2009/0177080 | A1 | 7/2009  | Kristan et al.     |
| 7,686,818    | B2  | 3/2010  | Simon et al.               | 2009/0227862 | A1 | 9/2009  | Smith et al.       |
| 7,702,379    | B2  | 4/2010  | Avinash et al.             | 2009/0306665 | A1 | 12/2009 | Lerner et al.      |
| 7,727,240    | B1  | 6/2010  | Benton                     | 2009/0326537 | A1 | 12/2009 | Anderson           |
| 7,729,742    | B2  | 6/2010  | Govari                     | 2010/0041985 | A1 | 2/2010  | Simon et al.       |
| 7,785,330    | B2  | 8/2010  | Sherman et al.             | 2010/0145337 | A1 | 6/2010  | Janna et al.       |
| 7,835,785    | B2  | 11/2010 | Scully et al.              | 2010/0152566 | A1 | 6/2010  | Rains et al.       |
| 7,840,254    | B2  | 11/2010 | Glossop                    | 2010/0152573 | A1 | 6/2010  | Ritchey et al.     |
| 7,925,068    | B2  | 4/2011  | Hocctor et al.             | 2010/0211177 | A1 | 8/2010  | Abdou              |
| 8,066,706    | B2  | 11/2011 | Schlienger et al.          | 2010/0274121 | A1 | 10/2010 | Ritchey et al.     |
| 8,197,494    | B2  | 6/2012  | Jaggi et al.               | 2010/0274256 | A1 | 10/2010 | Ritchey et al.     |
| 8,301,262    | B2  | 10/2012 | Mi et al.                  | 2010/0274306 | A1 | 10/2010 | Pastore et al.     |
| 2002/0032445 | A1  | 3/2002  | Fujiwara                   | 2010/0289491 | A1 | 11/2010 | Budker et al.      |
| 2002/0052604 | A1  | 5/2002  | Simon et al.               | 2011/0082366 | A1 | 4/2011  | Scully et al.      |
| 2002/0173792 | A1  | 11/2002 | Severns et al.             | 2011/0109311 | A1 | 5/2011  | Walsh              |
| 2003/0105470 | A1  | 6/2003  | White                      | 2011/0208037 | A1 | 8/2011  | Rains et al.       |
| 2003/0120150 | A1  | 6/2003  | Govari                     | 2011/0270080 | A1 | 11/2011 | Crane              |
| 2003/0135211 | A1  | 7/2003  | Cho                        | 2011/0295108 | A1 | 12/2011 | Cox et al.         |
| 2003/0164172 | A1  | 9/2003  | Chumas et al.              | 2012/0010500 | A1 | 1/2012  | Couture et al.     |
| 2003/0187351 | A1* | 10/2003 | Franck et al. .... 600/429 | 2012/0035468 | A1 | 2/2012  | Ritchey et al.     |
| 2003/0208122 | A1  | 11/2003 | Melkent et al.             | 2012/0091122 | A1 | 4/2012  | Ahmad et al.       |
| 2004/0011365 | A1  | 1/2004  | Govari et al.              | 2012/0143047 | A1 | 6/2012  | Kimura et al.      |
| 2004/0034355 | A1  | 2/2004  | Govari et al.              | 2012/0184844 | A1 | 7/2012  | Gielen et al.      |
| 2004/0243148 | A1  | 12/2004 | Wasielewski                | 2012/0220107 | A1 | 8/2012  | Fukuda et al.      |
|              |     |         |                            | 2012/0227542 | A1 | 9/2012  | Koch               |

(56)

**References Cited**

U.S. PATENT DOCUMENTS

FOREIGN PATENT DOCUMENTS

|    |                 |         |
|----|-----------------|---------|
| DE | 102008023760    | 12/2009 |
| EP | 523905          | 5/1993  |
| EP | 628287          | 4/1995  |
| EP | 1391181         | 2/2004  |
| EP | 1570782         | 9/2005  |
| EP | 1382308         | 11/2005 |
| EP | 1803394         | 7/2007  |
| EP | 1570781         | 9/2009  |
| EP | 2130511         | 12/2009 |
| EP | 1743590         | 10/2010 |
| GR | 1005791         | 1/2008  |
| WO | WO9500085       | 1/1995  |
| WO | WO9713467       | 4/1997  |
| WO | WO9832387 A1    | 7/1998  |
| WO | WO9947052       | 9/1999  |
| WO | WO0134016       | 10/2001 |
| WO | WO03044556      | 5/2003  |
| WO | WO03105659      | 12/2003 |
| WO | WO2004069063    | 8/2004  |
| WO | WO2005120203    | 12/2005 |
| WO | WO2007009088    | 1/2007  |
| WO | WO2007025191    | 3/2007  |
| WO | WO2007061890    | 5/2007  |
| WO | WO2007133168    | 11/2007 |
| WO | WO2008105874    | 9/2008  |
| WO | WO2008106593    | 9/2008  |
| WO | WO2009108214    | 9/2009  |
| WO | WO2009131999    | 10/2009 |
| WO | WO2010028046    | 3/2010  |
| WO | WO2010099247    | 9/2010  |
| WO | WO2010129141    | 11/2010 |
| WO | WO2010129308 A2 | 11/2010 |

OTHER PUBLICATIONS

Ekliptik, Lidis module, brochure, 2010.  
 Brochure for GE Healthcare Drapes and Sterile Covers, accessed on Jun. 21, 2012, at <http://www.gehealthcare.com/usen/xr/surgery/docs/SurgeryDrapes&Film.pdf>.  
 Ekliptik, "User Manual: Guiding Star/Lidis," Jun. 16, 2010, reprinted from [http://www.ekliptik.si/html/downloads/documents/manuals/LIDIS\\_user\\_manual.pdf](http://www.ekliptik.si/html/downloads/documents/manuals/LIDIS_user_manual.pdf).  
 Medtronic, "Orthopaedic Navigation Solutions," 2005, reprinted from [http://behzadisportsdoc.com/wordpress/wp-content/uploads/2011/05/medtronic\\_orthonavsolutions.pdf](http://behzadisportsdoc.com/wordpress/wp-content/uploads/2011/05/medtronic_orthonavsolutions.pdf).

GE Healthcare, "Interventional X-ray, OEC C-arm," 2012.  
 Ekliptik, Guiding Star, Lidis: The Best Solution for Distal Interlocking, 2008, 2 pages.  
 International Search Report for International Application No. PCT/US2008/055300, mailed Sep. 17, 2008, 3 pages.  
 International Preliminary Report on Patentability and Written Opinion for International Application No. PCT/US2008/055300, mailed Sep. 1, 2009, 6 pages.  
 International Preliminary Report on Patentability and Written Opinion for International Application No. PCT/US2007/063001, mailed Sep. 1, 2009, 5 pages.  
 International Search Report for International Application No. PCT/US2007/063001, mailed Nov. 30, 2007, 3 pages.  
 Rains, et al., U.S. Appl. No. 12/919,255, filed Aug. 25, 2010.  
 International Search Report for International Application No. PCT/US2008/074520, mailed Jan. 23, 2009, 2 pages.  
 Ekliptik, "Guiding Star", reprinted from <http://ekliptik.si/content/view/37/42>, on Jul. 1, 2010, 2 pages.  
 Ritchey, et al., U.S. Appl. No. 29/376,026, filed Sep. 30, 2010.  
 International Search Report and Written Opinion for International Application No. PCT/US2010/032634, mailed Jan. 26, 2011, 10 pages.  
 International Search Report and Written Opinion for PCT/US2010/030784, mailed Oct. 29, 2010, 11 pages.  
 European Search Report for European Application No. 07830964.7, mailed Jun. 18, 2010, 4 pages.  
 Office Action for Chinese Application No. 200880006490.9, mailed Mar. 31, 2011, 13 pages.  
 International Search Report and Written Opinion for International Application No. PCT/US2010/051678, mailed Apr. 14, 2011, 8 pages.  
 Office Action for European Application 08872996.7-1269, Jul. 21, 2011, 5 pages.  
 "Innomed Hip Instruments-hohmann retractors," reprinted from [http://www.innomed.net/hip\\_rets\\_hohmanns.htm](http://www.innomed.net/hip_rets_hohmanns.htm) on Jan. 6, 2011, 8 pages.  
 Office Action for U.S. Appl. No. 12/547,716, mailed Apr. 2, 2012, 11 pages.  
 Office Action for U.S. Appl. No. 12/528,253, mailed Mar. 21, 2012, 9 pages.  
 Office Action for U.S. Appl. No. 12/758,747, mailed Apr. 10, 2012, 11 pages.  
*Ex Parte Quayle* Action in U.S. Appl. No. 29/376,026, mailed Apr. 30, 2012, 10 pages.  
 Office Action for U.S. Appl. No. 12/919,255, mailed May 25, 2012.

\* cited by examiner

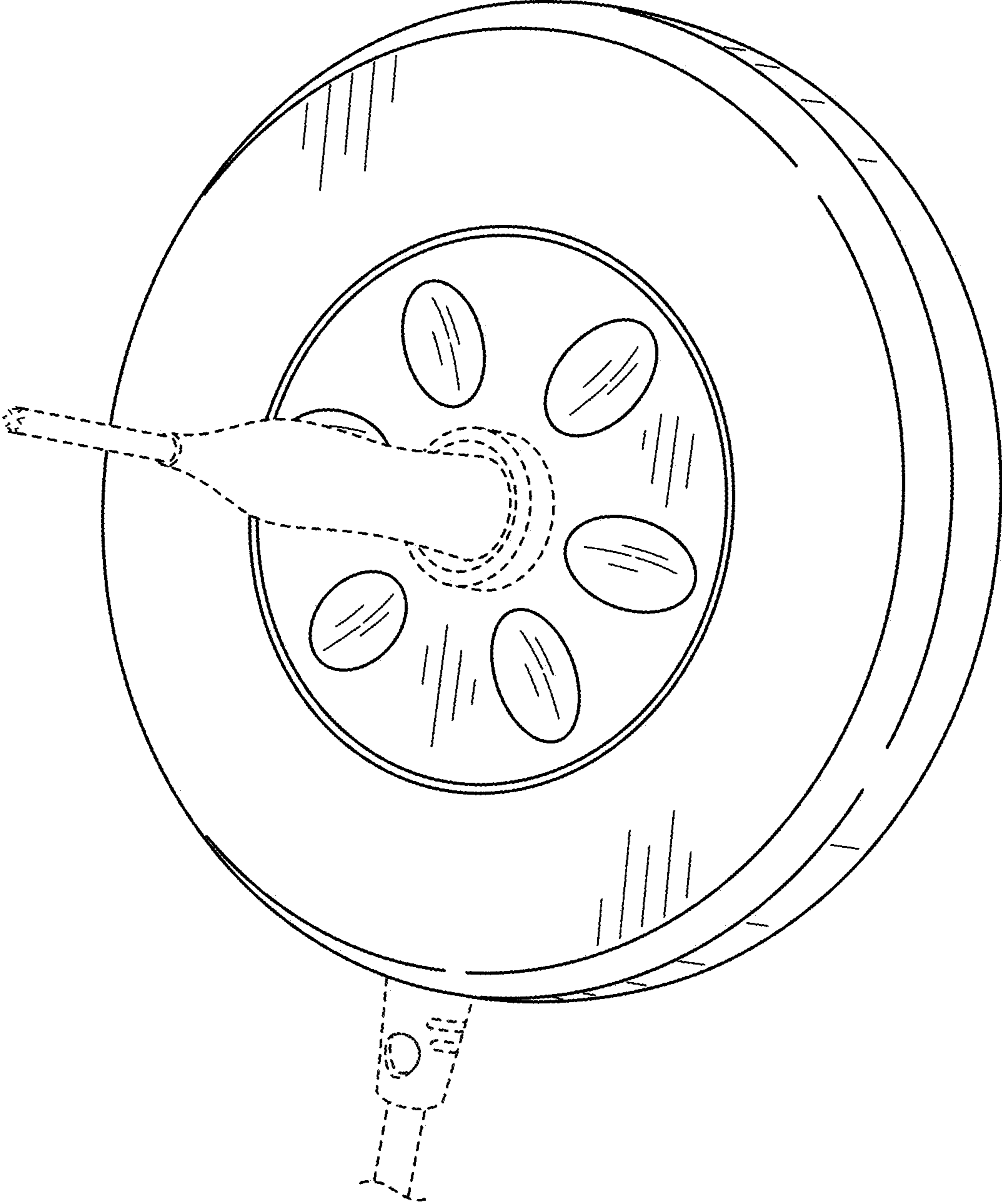


FIG. 1

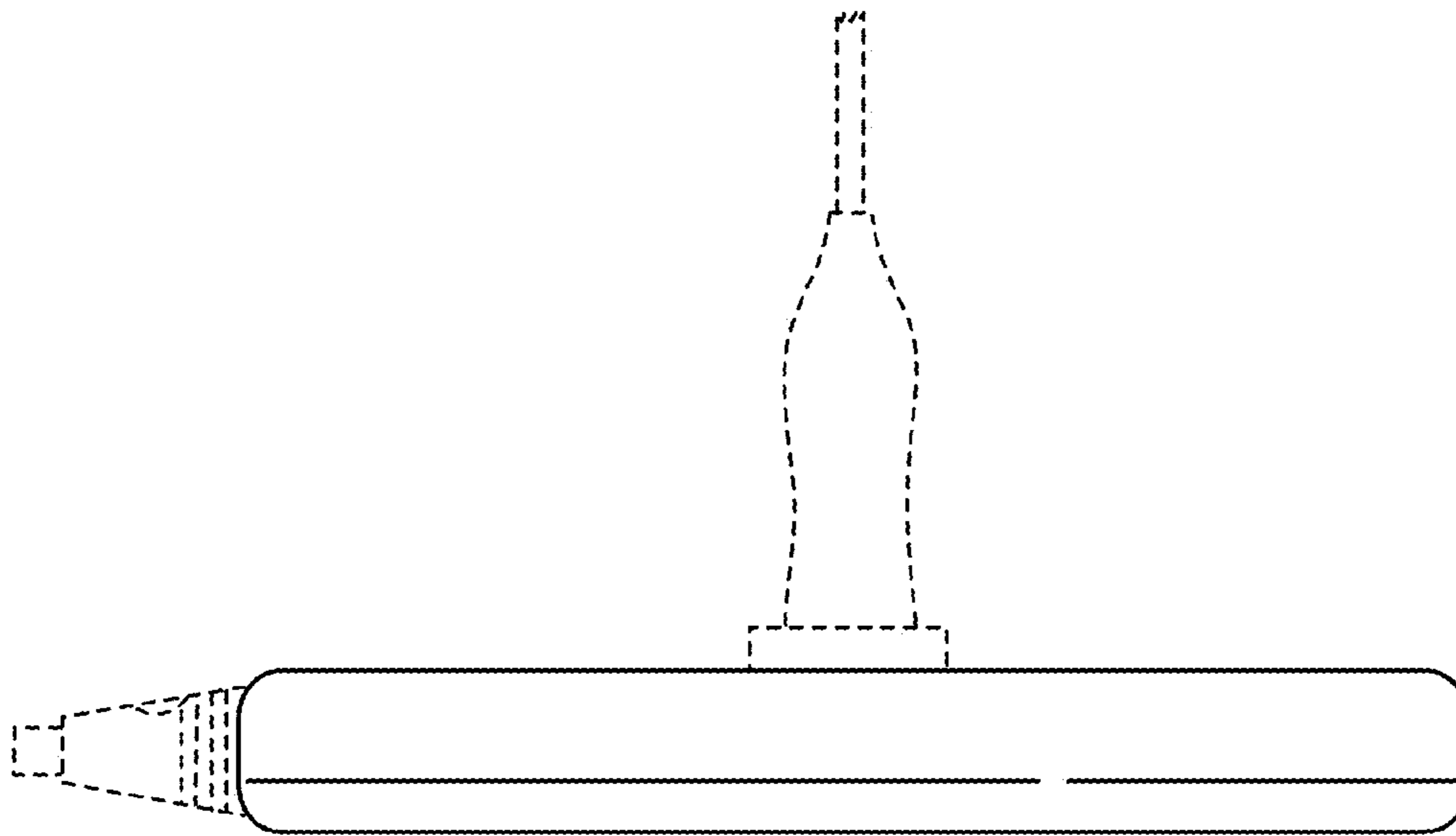


FIG. 2

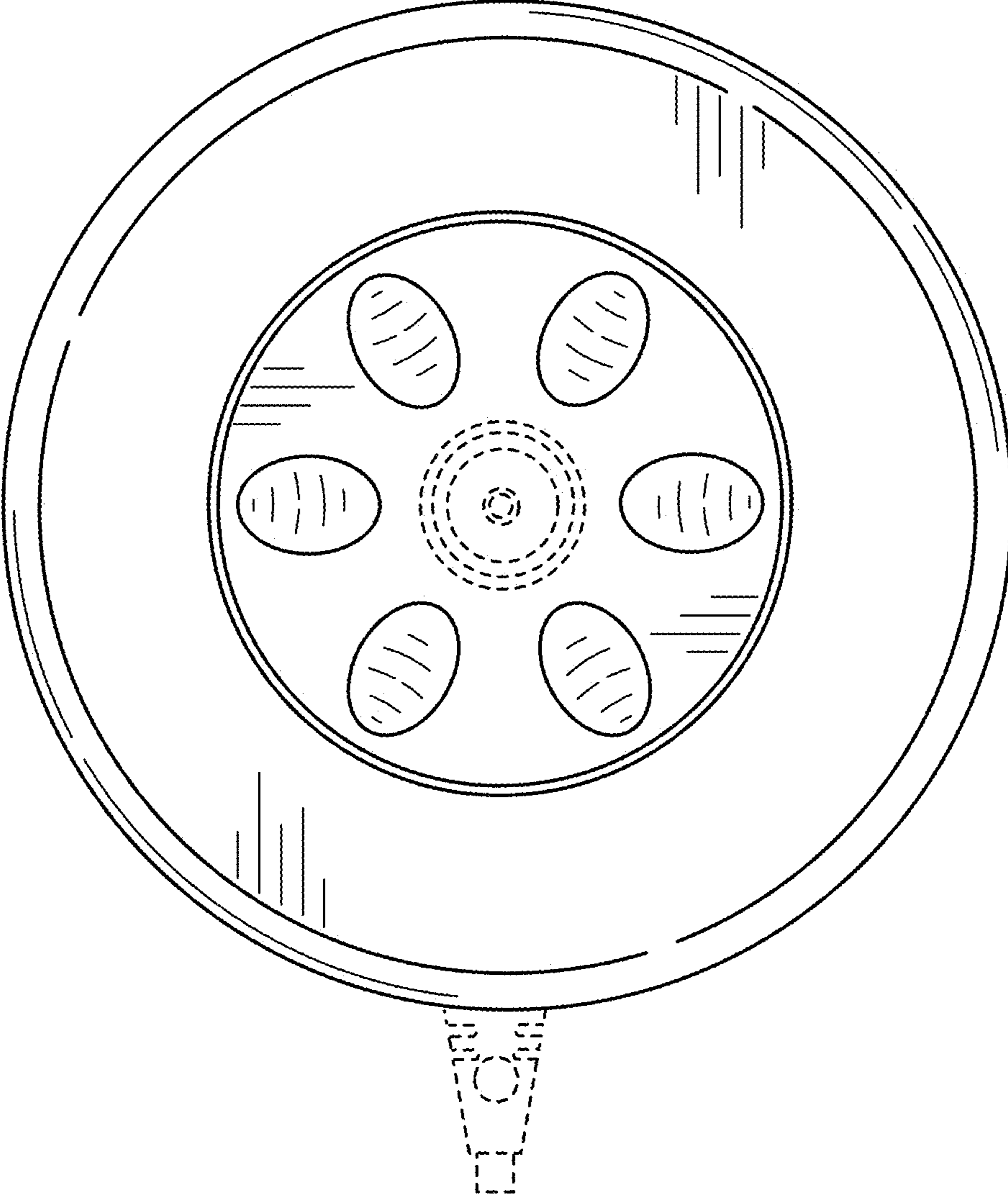


FIG. 3

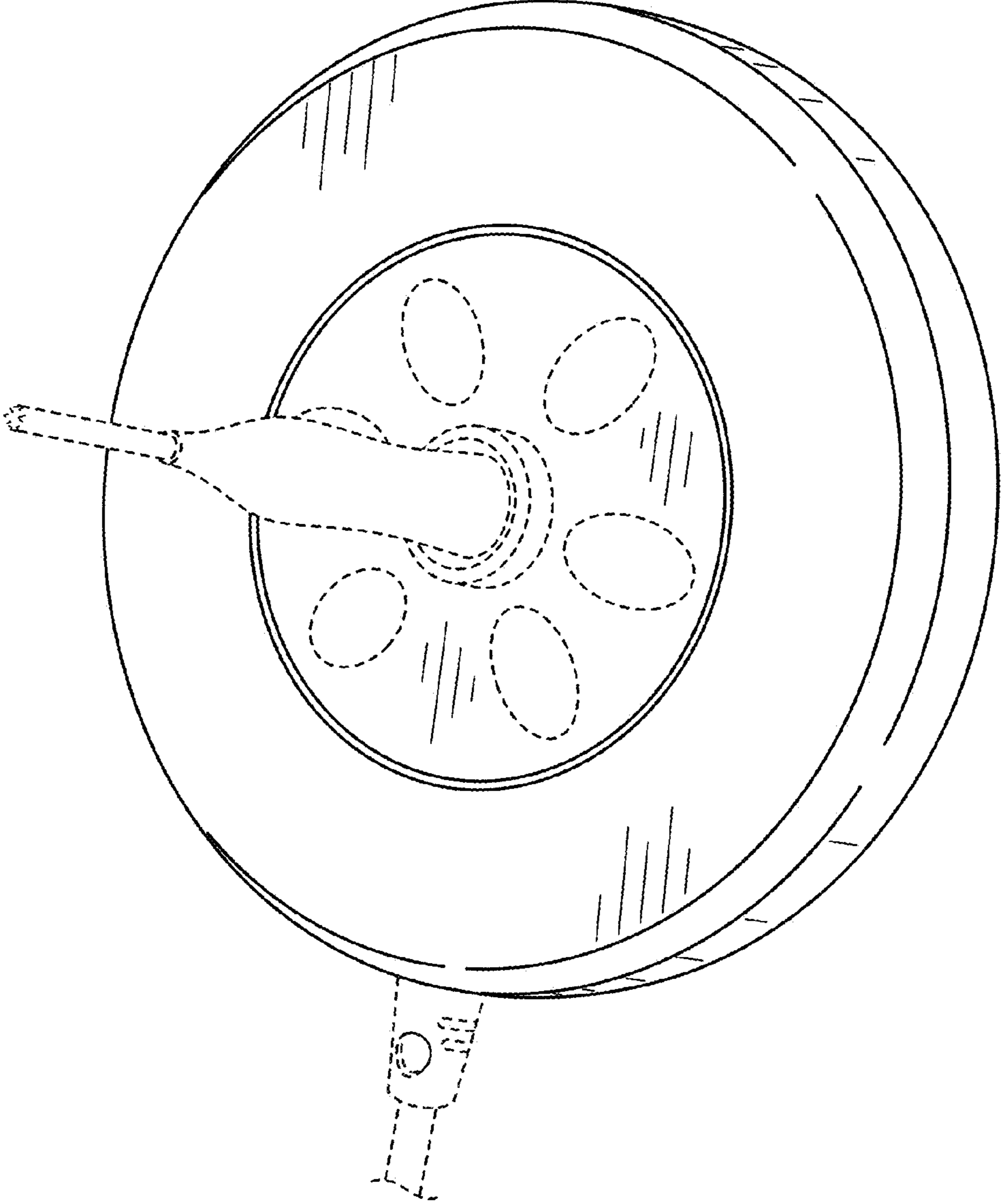


FIG. 4

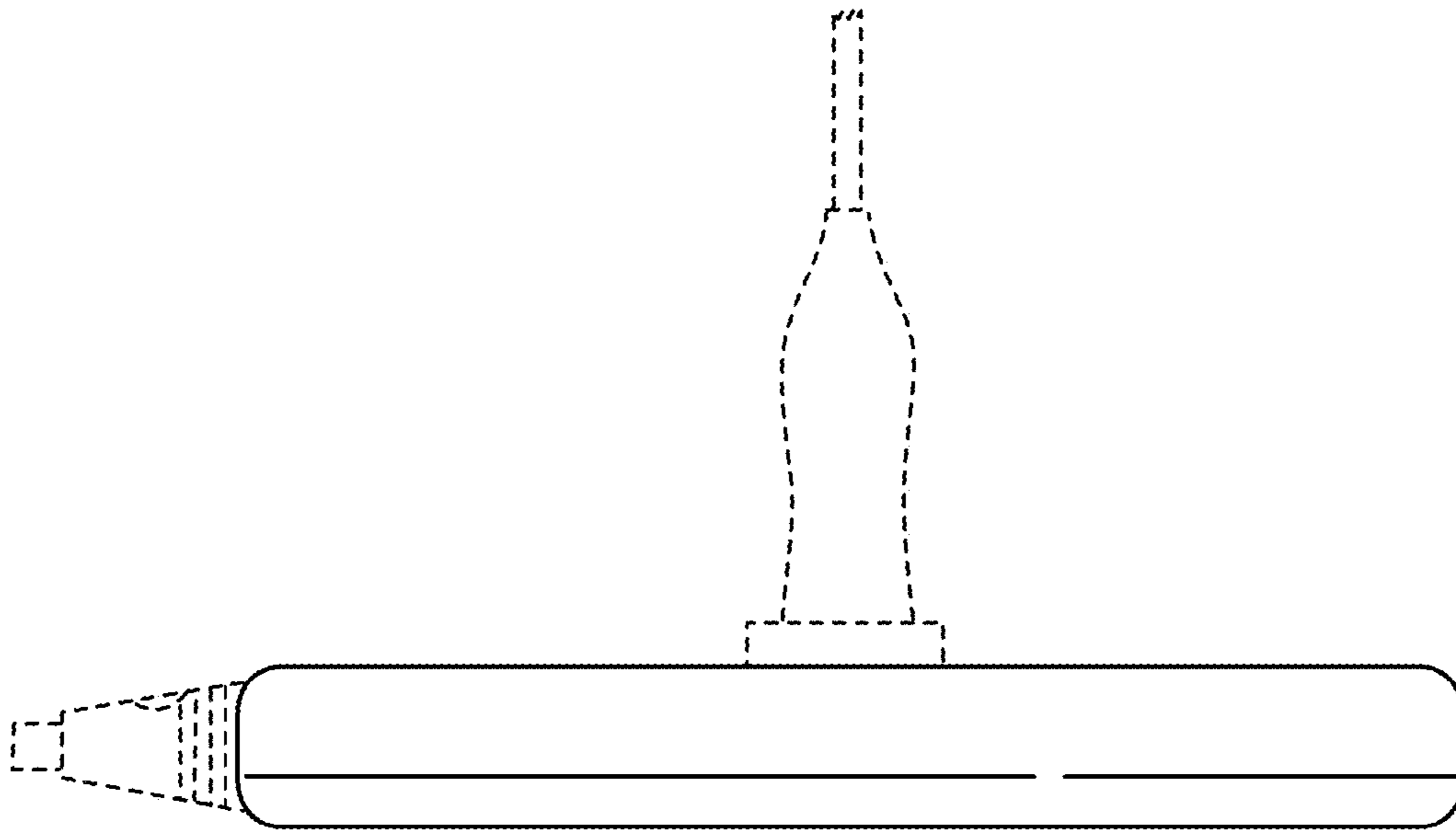


FIG. 5



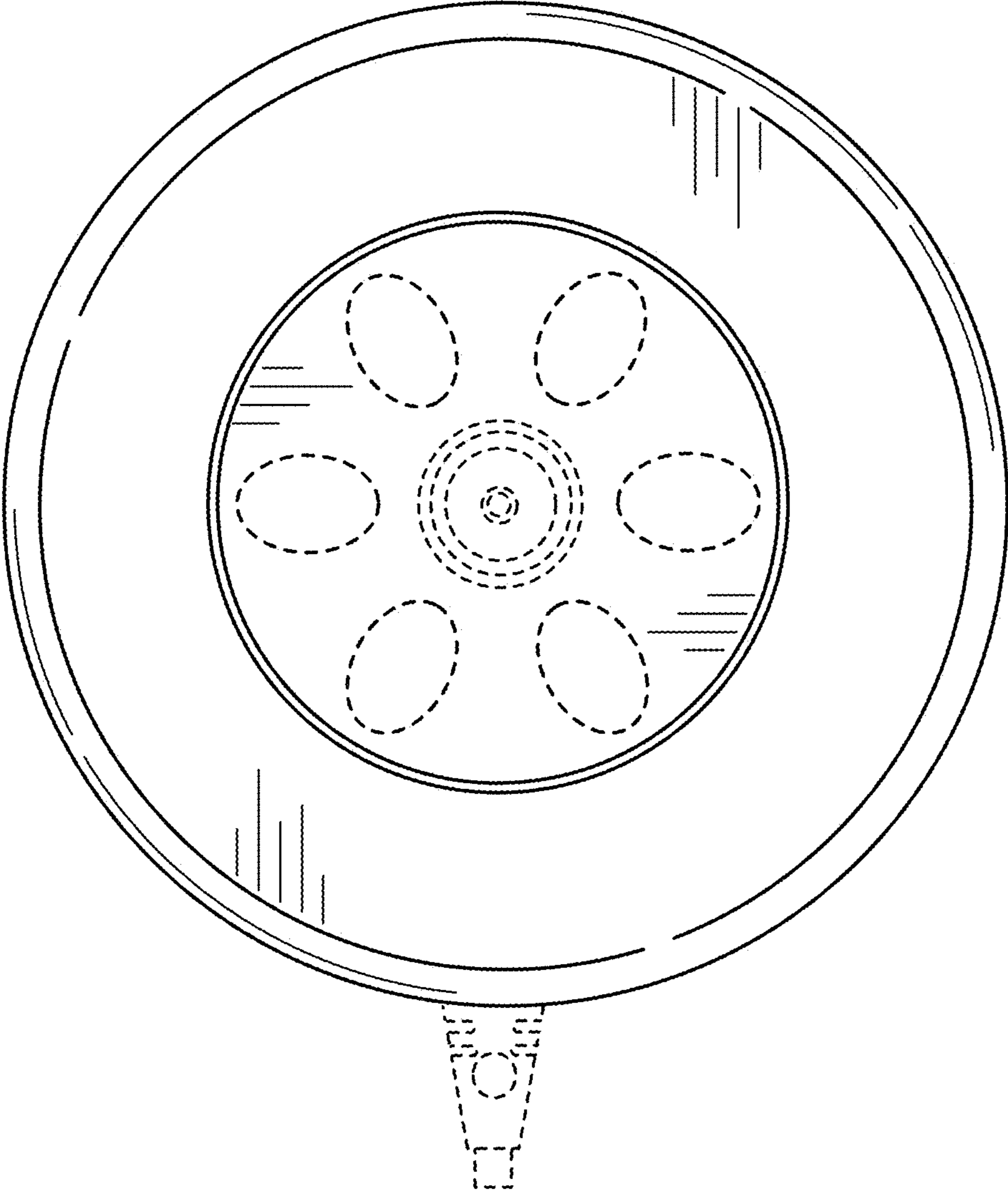


FIG. 6