



US00D704840S

(12) **United States Design Patent**  
**Mürner et al.**

(10) **Patent No.:** **US D704,840 S**

(45) **Date of Patent:** **\*\* \*May 13, 2014**

(54) **HINGE COUPLING**

4,662,365 A 5/1987 Gotzen et al.  
D301,496 S 6/1989 Yonesawa et al.  
5,071,437 A 12/1991 Steffee

(75) Inventors: **Beat Mürner**, Reichenbach (CH); **Axel Bernhard Cremer**, Lommiswil (CH); **Adam Busch**, Olten (CH); **Robert Dominik**, Lausanne (CH)

(Continued)

FOREIGN PATENT DOCUMENTS

(73) Assignee: **Stryker Trauma SA** (CH)

CH 657899 A5 9/1986  
DE 518329 C 2/1931

(\*) Notice: This patent is subject to a terminal disclaimer.

(Continued)

OTHER PUBLICATIONS

(\*\*) Term: **14 Years**

<http://www.smith-nephew.com/us/professional/products/all-products/jet-x/>.\*

(21) Appl. No.: **29/394,182**

(Continued)

(22) Filed: **Jun. 14, 2011**

*Primary Examiner* — Robert M Spear  
*Assistant Examiner* — Rhea Shields

(30) **Foreign Application Priority Data**

(74) *Attorney, Agent, or Firm* — Lerner, David, Littenberg, Krumholz & Mentlik, LLP

Dec. 14, 2010 (WO) ..... 577932301

(51) **LOC (10) Cl.** ..... **24-03**

(52) **U.S. Cl.**  
USPC ..... **D24/171; D8/323**

(58) **Field of Classification Search**  
USPC ..... D24/170, 164, 171, 172, 185, 234, 221,  
D24/190, 186, 183, 188, 150, 143; 606/54,  
606/56, 57, 59

See application file for complete search history.

(56) **References Cited**

U.S. PATENT DOCUMENTS

2,250,417 A 7/1941 Ettinger  
D228,970 S 10/1973 Cohen  
D237,631 S 11/1975 Katzman  
D255,713 S 7/1980 Sturges  
D282,962 S 3/1986 Gerber  
D283,725 S 5/1986 Mahoney  
4,620,533 A 11/1986 Mears

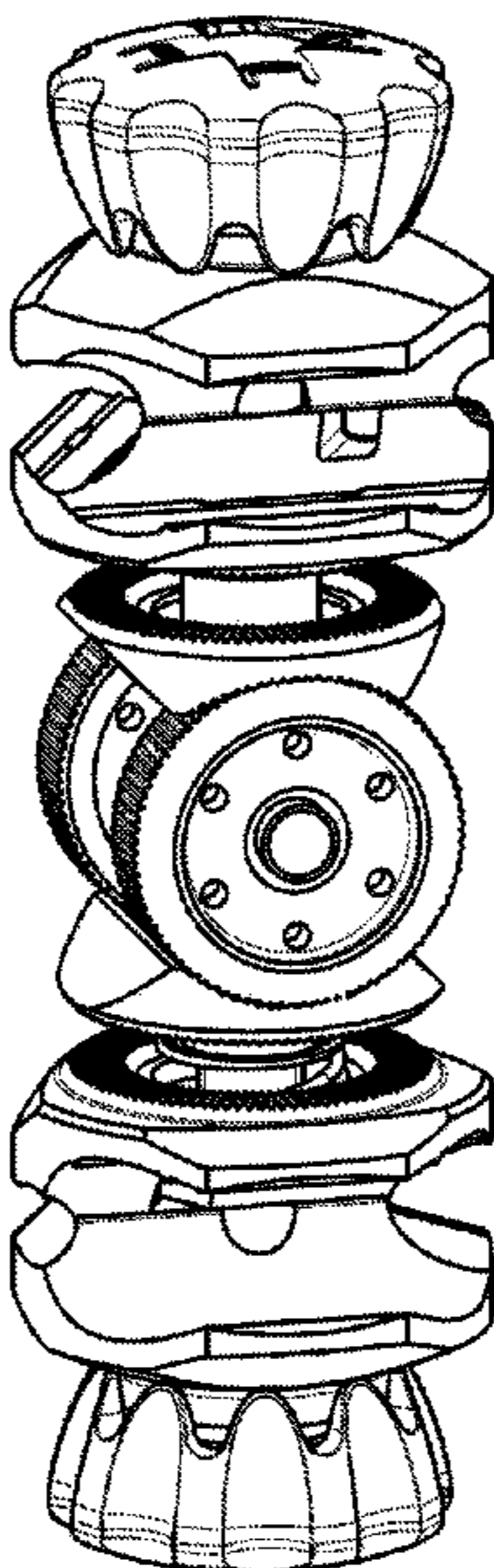
(57) **CLAIM**

The ornamental design for a hinge coupling, as shown and described.

**DESCRIPTION**

FIG. 1 is a perspective view of a hinge coupling, in accordance with one embodiment of the present invention. FIG. 2 is a front view of the hinge coupling shown in FIG. 1. FIG. 3 is a left side view of the hinge coupling shown in FIG. 1. FIG. 4 is a back view of the hinge coupling shown in FIG. 1. FIG. 5 is a right side view of the hinge coupling shown in FIG. 1. FIG. 6 is a top view of the hinge coupling shown in FIG. 1; and, FIG. 7 is a bottom view of the hinge coupling shown in FIG. 1.

**1 Claim, 6 Drawing Sheets**



(56)

References Cited

U.S. PATENT DOCUMENTS

5,098,432 A 3/1992 Wagenknecht  
 5,152,280 A 10/1992 Danieli  
 5,304,177 A 4/1994 Pennig  
 5,376,091 A 12/1994 Hotchkiss et al.  
 5,429,637 A 7/1995 Hardy  
 5,443,465 A 8/1995 Pennig  
 5,630,815 A 5/1997 Pohl et al.  
 D380,262 S 6/1997 Van Funderburk et al.  
 5,662,648 A 9/1997 Faccioli et al.  
 5,746,741 A 5/1998 Kraus et al.  
 5,752,954 A 5/1998 Mata et al.  
 5,827,282 A 10/1998 Pennig  
 5,846,245 A 12/1998 McCarthy et al.  
 5,891,144 A 4/1999 Mata et al.  
 5,921,985 A 7/1999 Ross, Jr. et al.  
 6,019,769 A 2/2000 McCarthy et al.  
 6,024,745 A 2/2000 Faccioli et al.  
 6,080,153 A 6/2000 Mata et al.  
 D429,334 S 8/2000 Solem  
 6,217,577 B1 4/2001 Hofmann  
 6,308,598 B1 10/2001 O'Neil  
 D455,831 S 4/2002 Koros et al.  
 6,386,786 B1 5/2002 Perlman et al.  
 6,409,729 B1 6/2002 Martinelli et al.  
 6,482,206 B2 11/2002 Schoenefeld  
 6,520,962 B1 2/2003 Taylor et al.  
 6,565,564 B2 5/2003 Hoffman et al.  
 6,613,049 B2 9/2003 Winqvist et al.  
 6,616,664 B2 9/2003 Walulik et al.  
 6,652,523 B1 11/2003 Evrard et al.  
 D483,642 S 12/2003 Lin  
 6,702,814 B2 3/2004 Walulik et al.  
 D493,225 S 7/2004 Varga et al.  
 D494,274 S 8/2004 Varga et al.  
 D501,555 S 2/2005 Varga et al.  
 6,916,319 B2 7/2005 Munting  
 7,004,943 B2 2/2006 Ferrante et al.  
 7,048,735 B2 5/2006 Ferrante et al.  
 D526,410 S 8/2006 Phillips et al.  
 D532,277 S 11/2006 Shih  
 D537,939 S 3/2007 Phillips et al.  
 7,261,713 B2 8/2007 Langmaid et al.  
 D551,763 S 9/2007 Phillips et al.  
 7,282,052 B2 10/2007 Mullaney  
 D556,899 S 12/2007 Veliss et al.  
 D558,337 S 12/2007 Jones et al.  
 7,449,023 B2 11/2008 Walulik et al.  
 7,479,142 B2 1/2009 Weiner et al.  
 7,491,008 B2 2/2009 Thomke et al.  
 7,527,626 B2 5/2009 Lutz et al.  
 7,562,855 B2 7/2009 Oetlinger  
 7,588,571 B2 9/2009 Olsen  
 7,618,417 B2 11/2009 Thomke et al.  
 D607,102 S 12/2009 Robinson  
 7,749,224 B2 7/2010 Cresina et al.  
 7,806,623 B2 10/2010 Thomke et al.  
 D632,791 S 2/2011 Murner

D633,206 S 2/2011 Murner  
 D633,207 S 2/2011 Murner  
 D633,208 S 2/2011 Murner  
 8,172,840 B2 5/2012 Murner et al.  
 D663,030 S \* 7/2012 Murner et al. .... D24/143  
 2001/0049526 A1 12/2001 Venturini et al.  
 2002/0037193 A1 3/2002 Gibbons et al.  
 2002/0077629 A1 6/2002 Hoffman et al.  
 2003/0199738 A1 10/2003 Yager  
 2004/0044344 A1 3/2004 Winqvist et al.  
 2004/0059331 A1 3/2004 Mullaney  
 2005/0203520 A1 9/2005 Volzow  
 2005/0240265 A1 10/2005 Kuiper et al.  
 2006/0025703 A1 2/2006 Miles et al.  
 2006/0039750 A1 2/2006 Thomke et al.  
 2006/0052785 A1 3/2006 Augostino et al.  
 2006/0155276 A1 7/2006 Walulik et al.  
 2006/0167453 A1 7/2006 Hoffmann-Clair et al.  
 2006/0287652 A1 12/2006 Lessig et al.  
 2007/0038217 A1 \* 2/2007 Brown et al. .... 606/57  
 2007/0123856 A1 5/2007 Deffenbaugh et al.  
 2007/0198012 A1 8/2007 Thomke et al.  
 2007/0233061 A1 10/2007 Lehmann et al.  
 2008/0065068 A1 3/2008 Thomke et al.  
 2008/0215053 A1 9/2008 Thomke et al.  
 2008/0306527 A1 12/2008 Winslow et al.  
 2008/0306528 A1 12/2008 Winslow et al.  
 2009/0018541 A1 1/2009 Lavi  
 2009/0088751 A1 4/2009 Mullaney  
 2009/0099565 A1 4/2009 Weiner et al.  
 2009/0299368 A1 12/2009 Bauer  
 2009/0306661 A1 12/2009 Thomke et al.  
 2009/0326532 A1 \* 12/2009 Schulze .... 606/56  
 2010/0298827 A1 \* 11/2010 Cremer et al. .... 606/54  
 2011/0066151 A1 3/2011 Murner et al.  
 2011/0087226 A1 4/2011 Murner et al.  
 2012/0004659 A1 1/2012 Miller et al.  
 2012/0150181 A1 6/2012 Dorawa et al.  
 2012/0150182 A1 \* 6/2012 Dominik et al. .... 606/59  
 2012/0150183 A1 \* 6/2012 Dorawa et al. .... 606/59

FOREIGN PATENT DOCUMENTS

DE 10246418 A1 4/2004  
 EP 314021 A2 5/1989  
 EP 0700664 A1 3/1996  
 EP 2250968 A1 \* 11/2010 ..... A61B 17/64  
 FR 2787697 A1 6/2000  
 JP 2003325058 A 11/2003  
 WO 0156486 A1 8/2001  
 WO 2006116307 11/2006  
 WO 2007001945 A1 1/2007

OTHER PUBLICATIONS

<http://emedicine.medscape.com/article/1982758-overview>.  
 European Search Report for EP 10194943.6 dated Feb. 23, 2011.  
 European Search Report for EP 10194945.1 dated Feb. 25, 2011.  
 European Search report for EP 10194944.4 dated Feb. 23, 2011.

\* cited by examiner

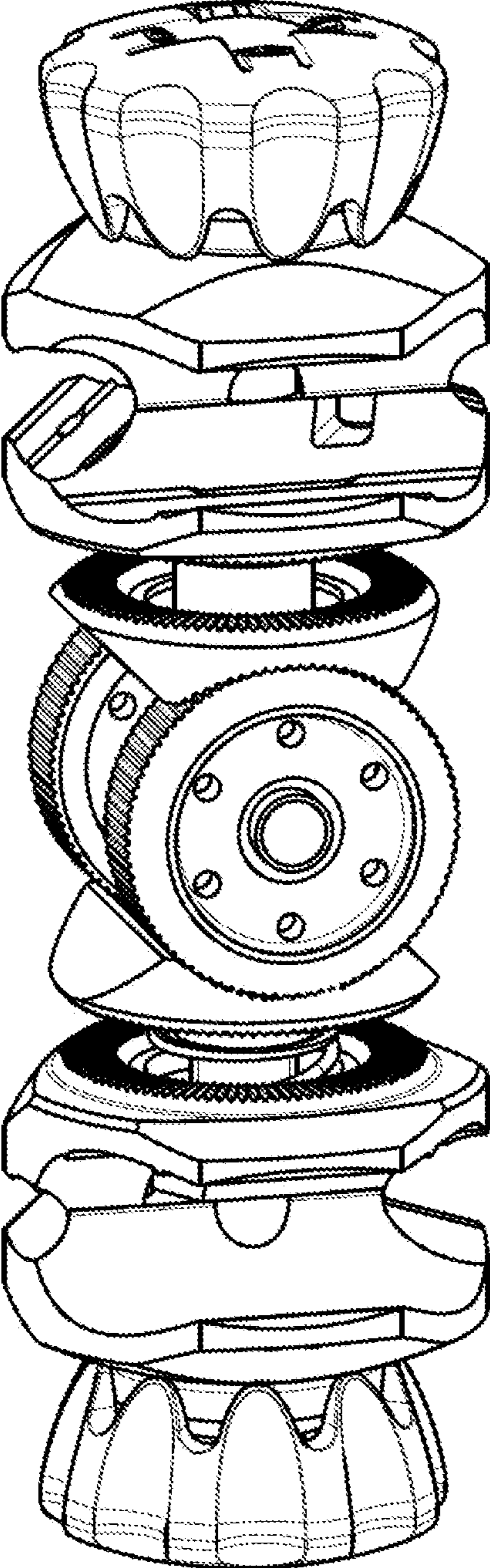


Fig. 1

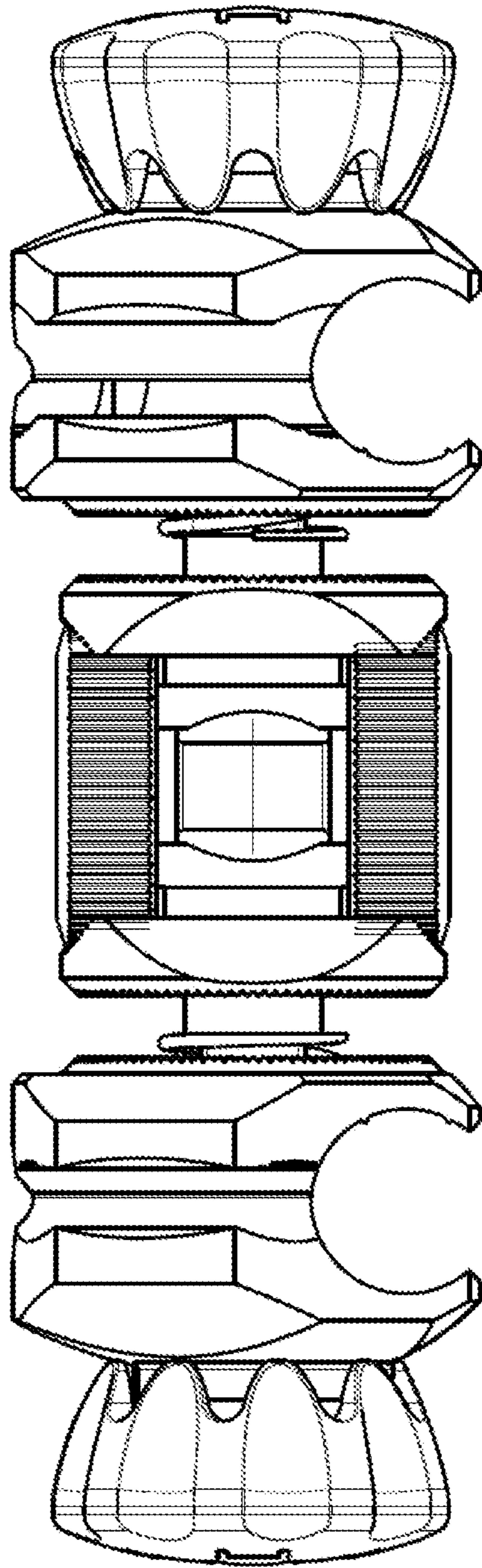


Fig. 2

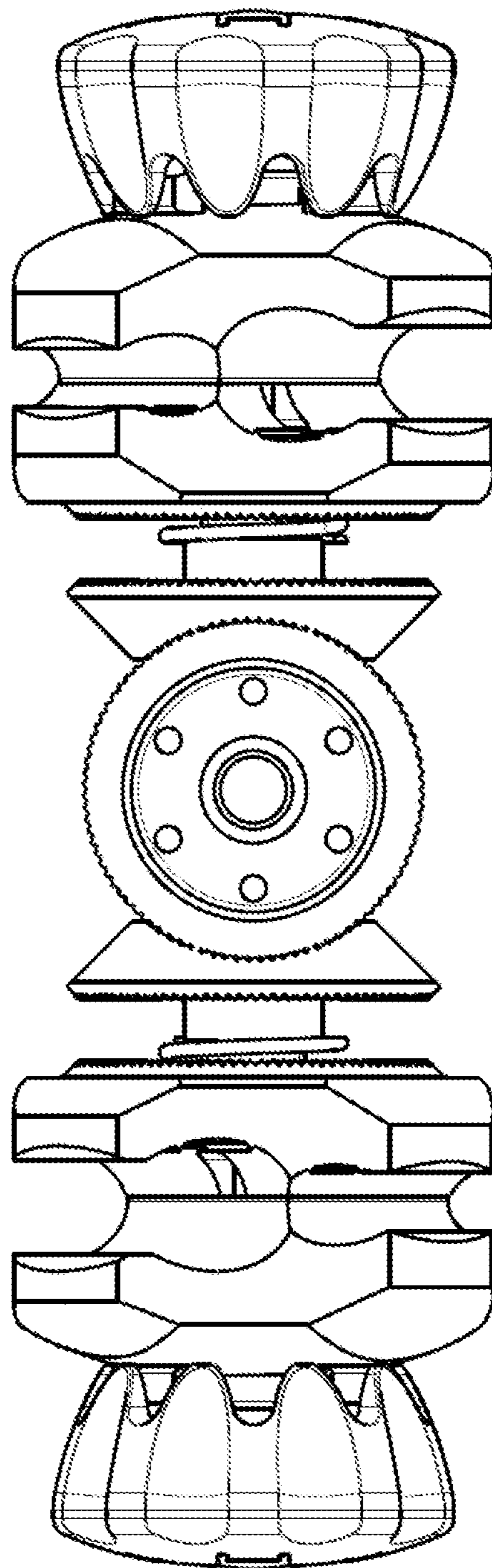


Fig. 3

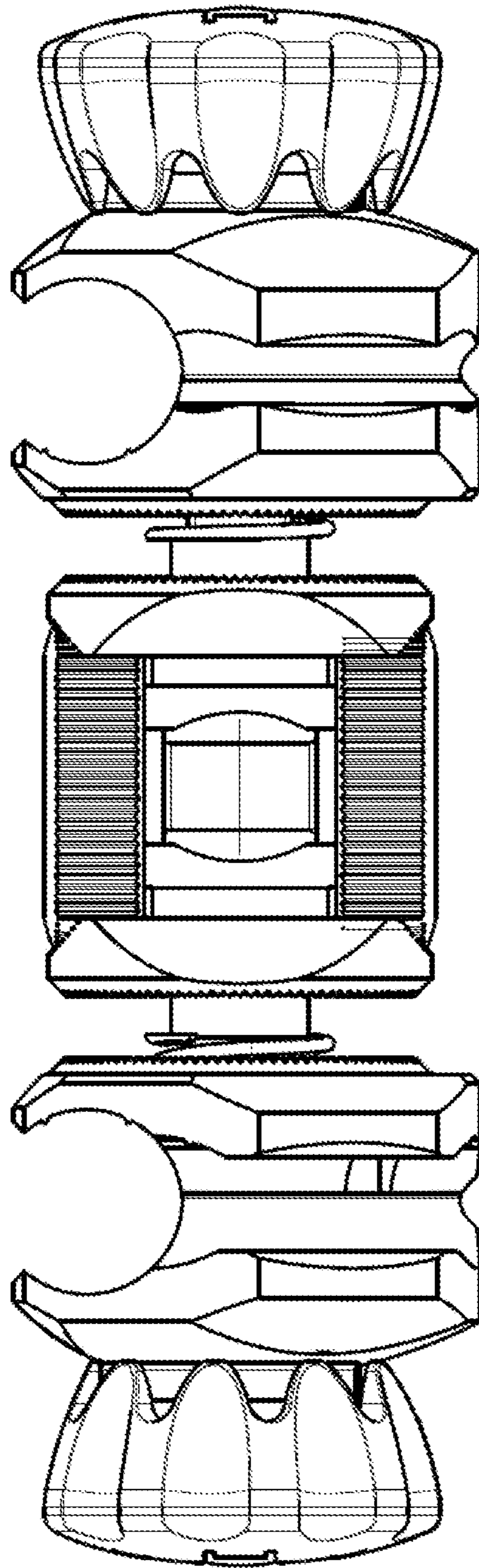


Fig. 4

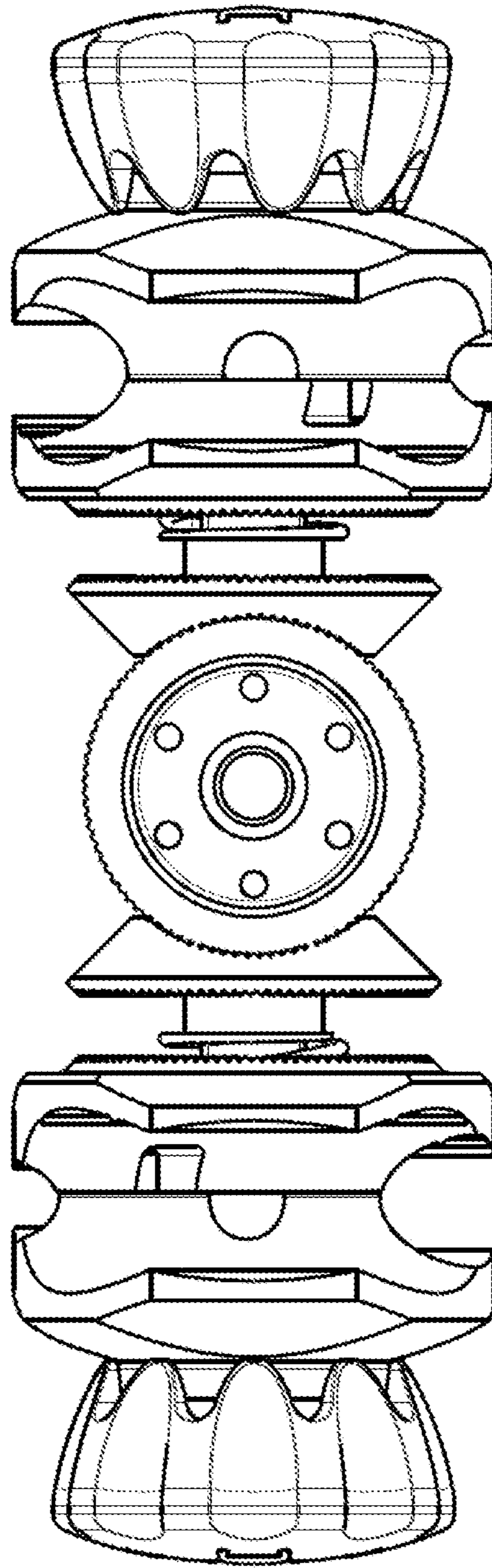


Fig. 5

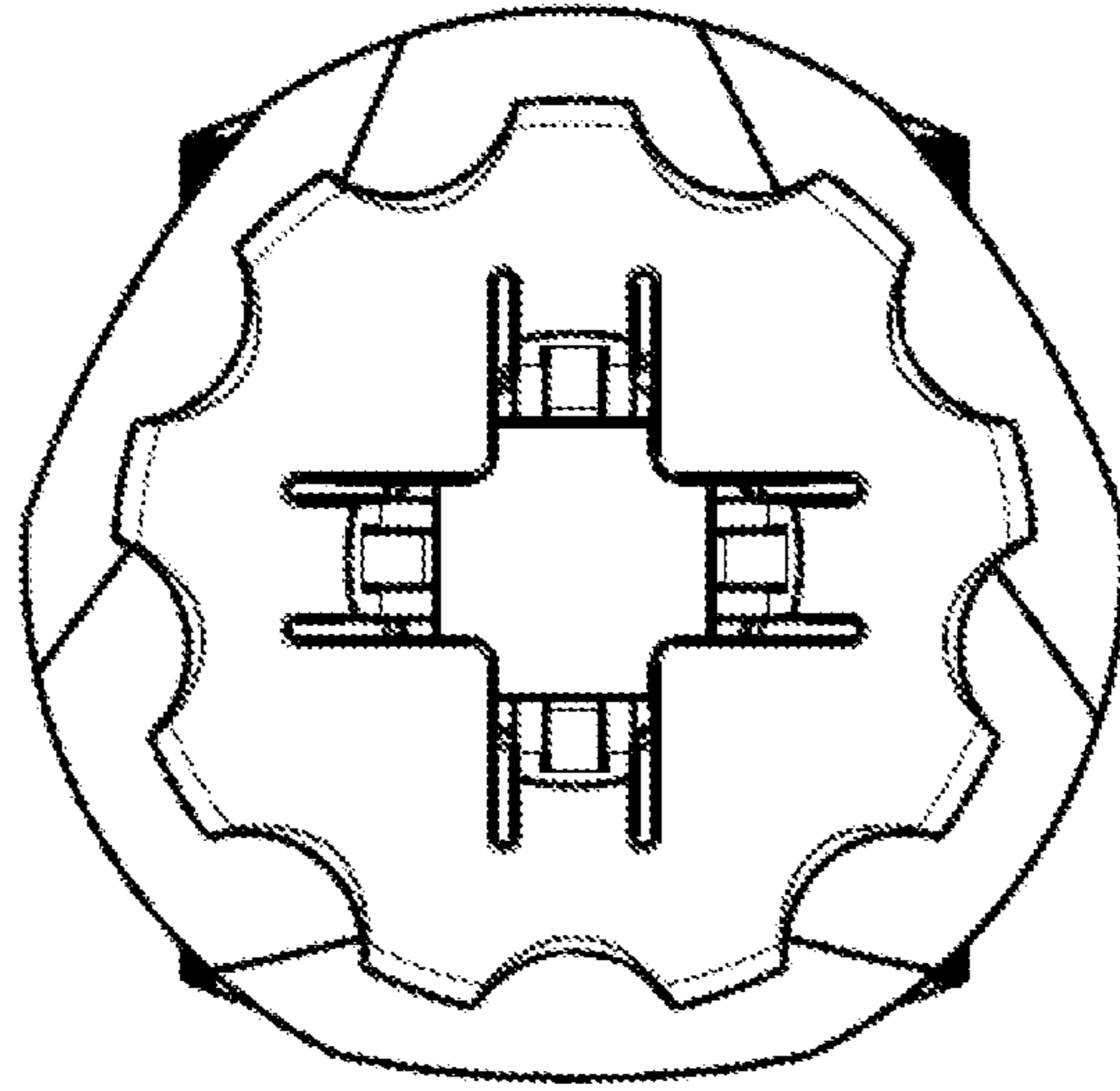


Fig. 6

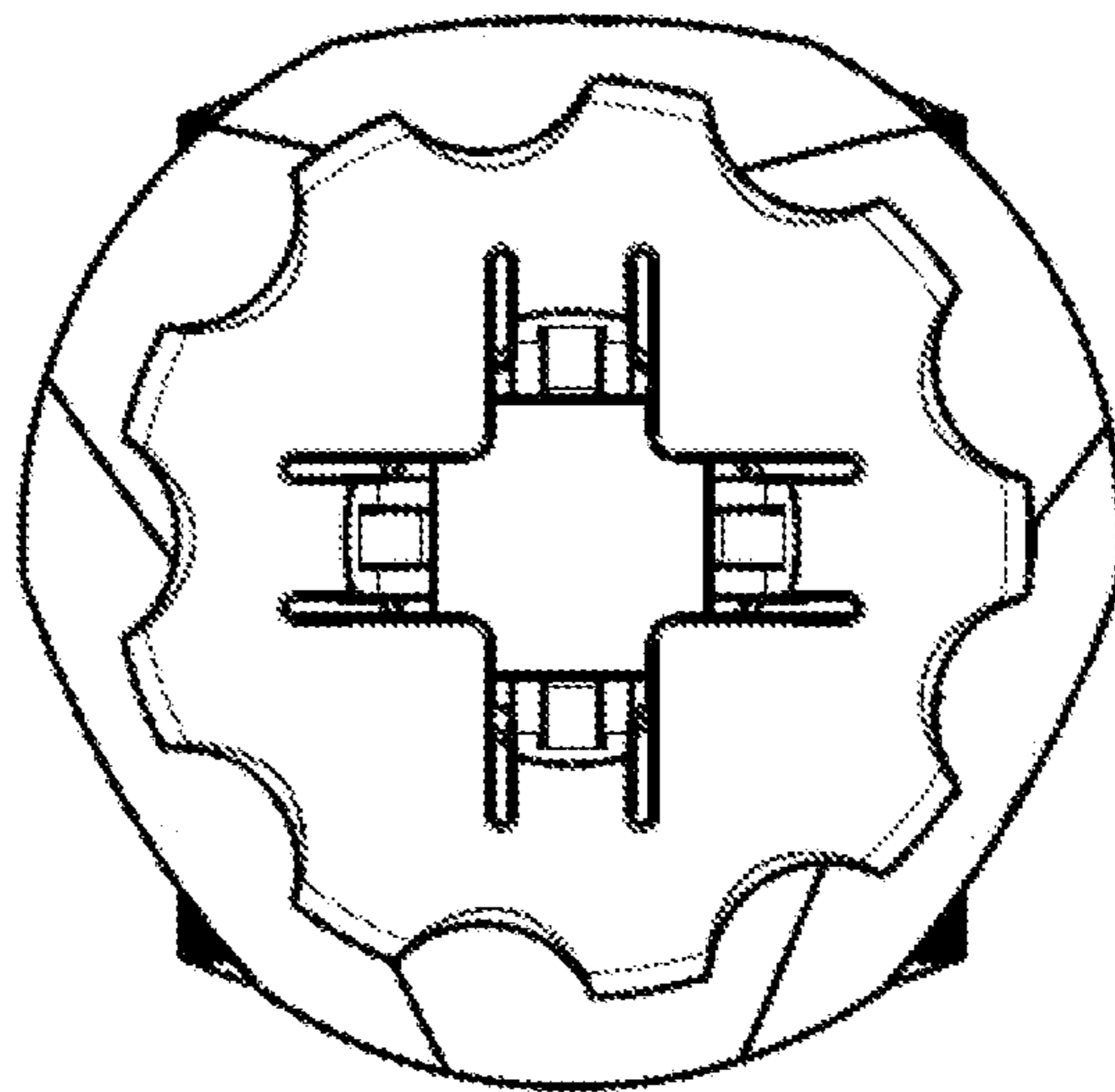


Fig. 7