



US00D704837S

(12) **United States Design Patent**
Senda

(10) **Patent No.:** **US D704,837 S**

(45) **Date of Patent:** **** May 13, 2014**

(54) **MEDICAL IMAGE RECORDER**

(75) Inventor: **Yutaka Senda**, Ashigarakami-gun (JP)

(73) Assignee: **FUJIFILM Corporation**, Tokyo (JP)

(**) Term: **14 Years**

(21) Appl. No.: **29/427,200**

(22) Filed: **Jul. 16, 2012**

(30) **Foreign Application Priority Data**

Jan. 17, 2012 (JP) 2012-000745

(51) **LOC (10) Cl.** **24-01**

(52) **U.S. Cl.**
USPC **D24/158**

(58) **Field of Classification Search**
USPC D24/158-161, 185, 186; D16/246-249;
D18/53, 54; 250/582, 583
See application file for complete search history.

(56) **References Cited**

U.S. PATENT DOCUMENTS

D348,278 S * 6/1994 Bowman D16/247
D397,357 S * 8/1998 Herman et al. D18/55
D425,552 S * 5/2000 Kobayashi et al. D18/54

D492,414 S * 6/2004 Perry et al. D24/158
7,157,729 B2 * 1/2007 Urbon 250/589
D623,752 S * 9/2010 Ogura D24/158
D625,012 S * 10/2010 Ogura D24/158
D670,809 S * 11/2012 Senda D24/158

* cited by examiner

Primary Examiner — Anhdao Doan

(74) *Attorney, Agent, or Firm* — Sughrue Mion, PLLC

(57) **CLAIM**

The ornamental design for a medical image recorder, as shown and described.

DESCRIPTION

FIG. 1 is a top, front and side perspective view of a medical image recorder showing my new design; FIG. 2 is a front elevational view thereof; FIG. 3 is a rear elevational view thereof; FIG. 4 is a top plan view thereof; FIG. 5 is a bottom plan view thereof; FIG. 6 is a left side elevational view thereof; FIG. 7 is a right side elevational view thereof; and, FIG. 8 is a top, front and side perspective view thereof in a manner of use.

The broken lines represent the environment and form no part of the claimed design.

1 Claim, 8 Drawing Sheets

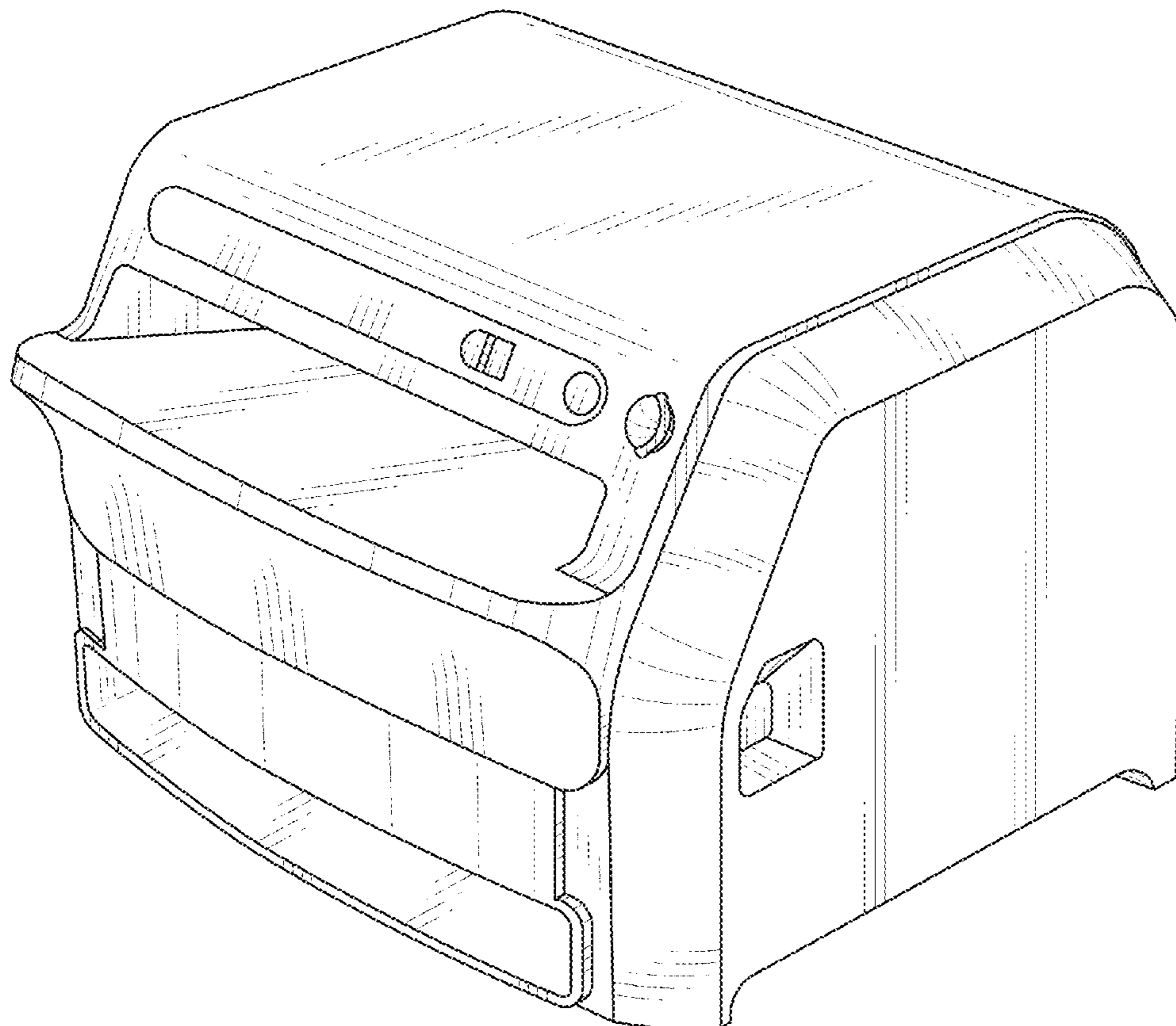


FIG. 1

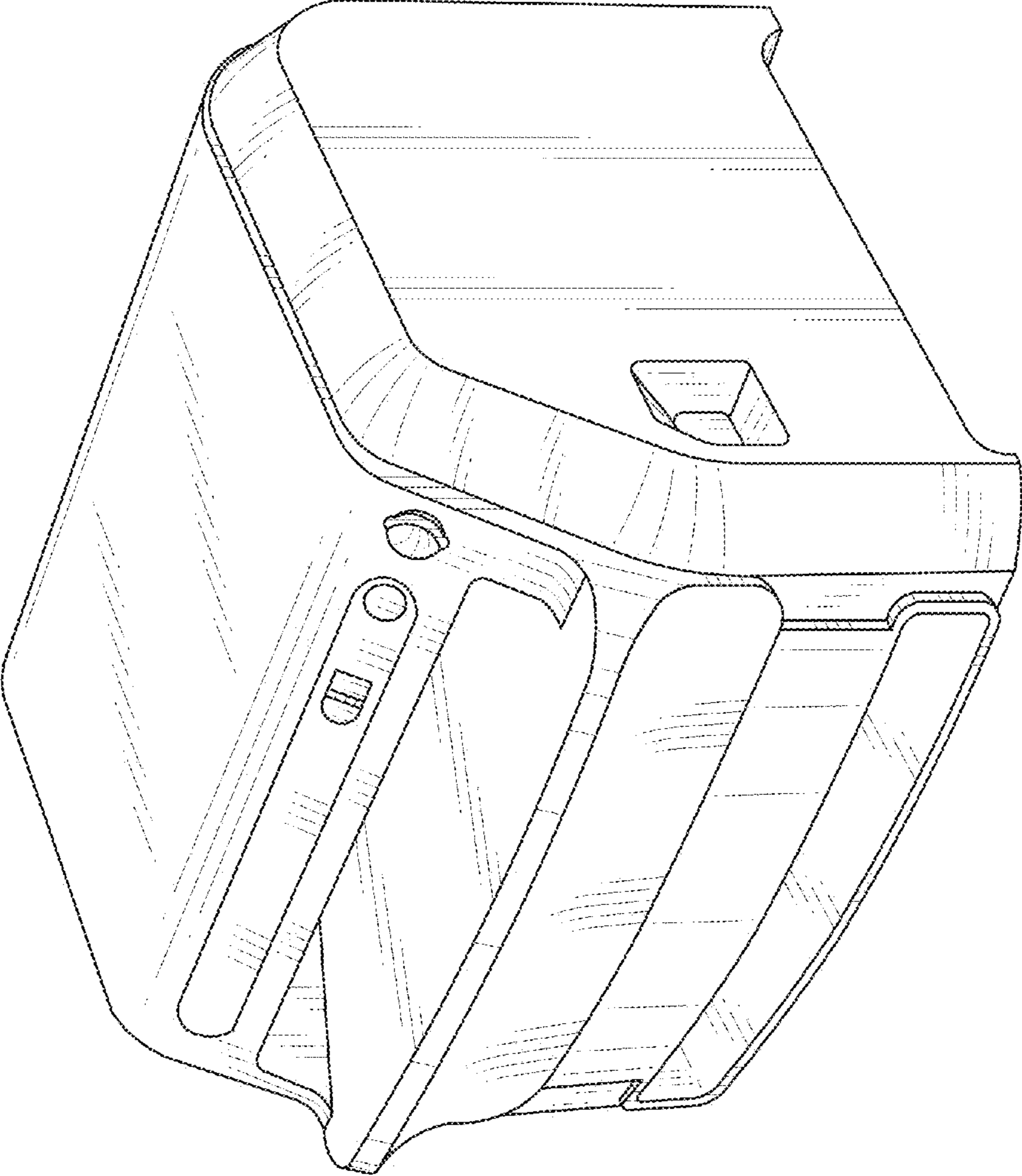


FIG. 2

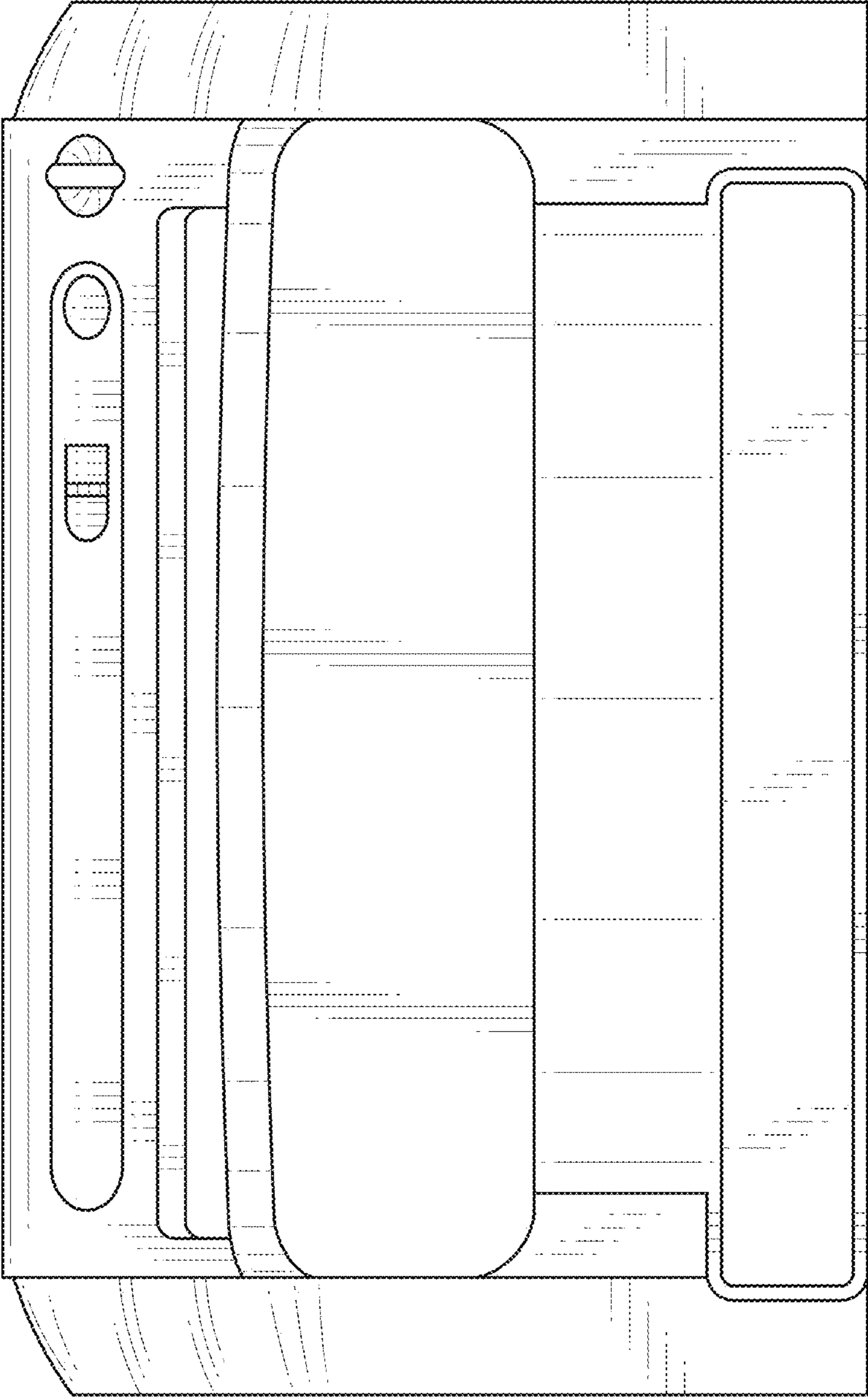


FIG. 3

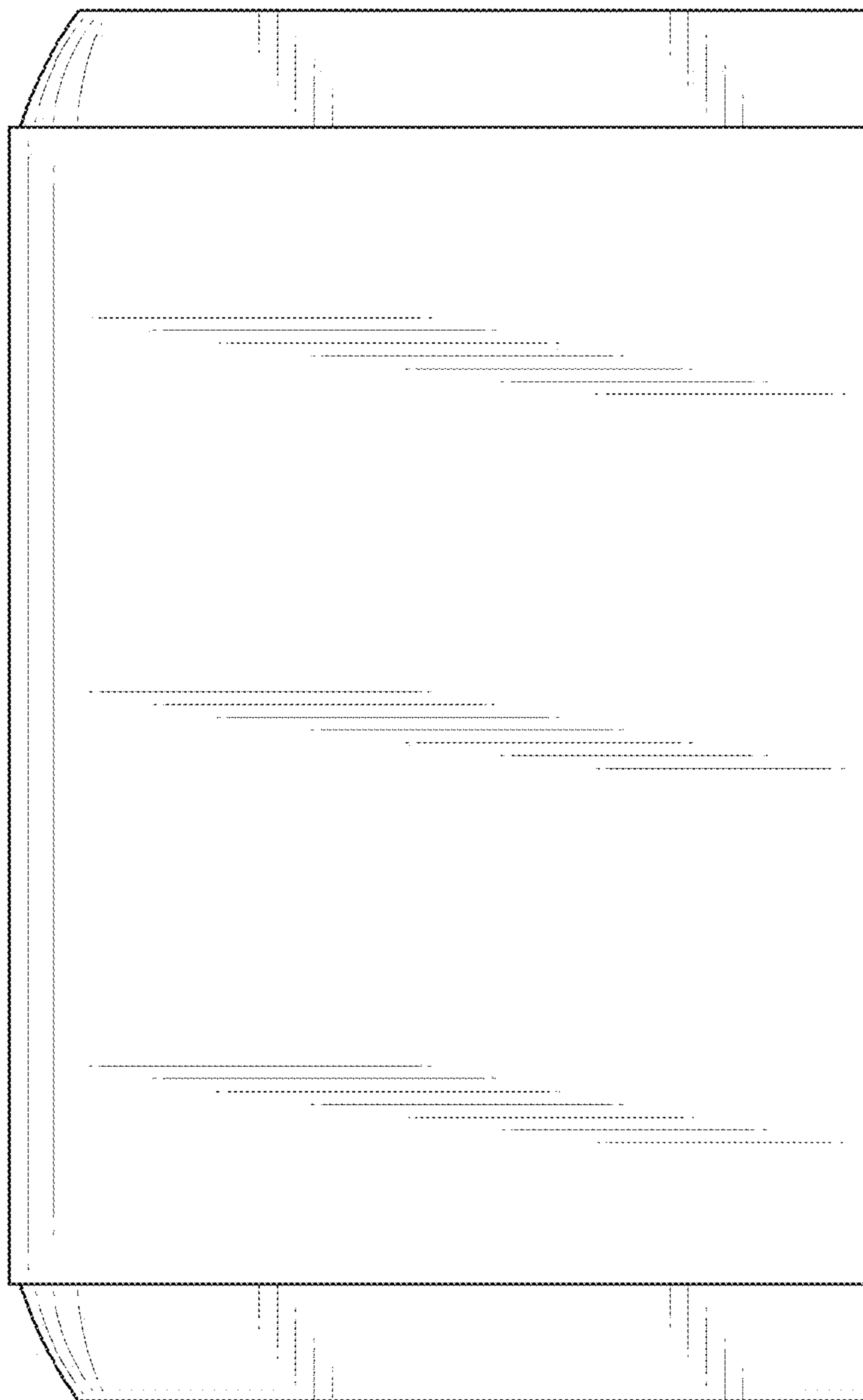


FIG. 4

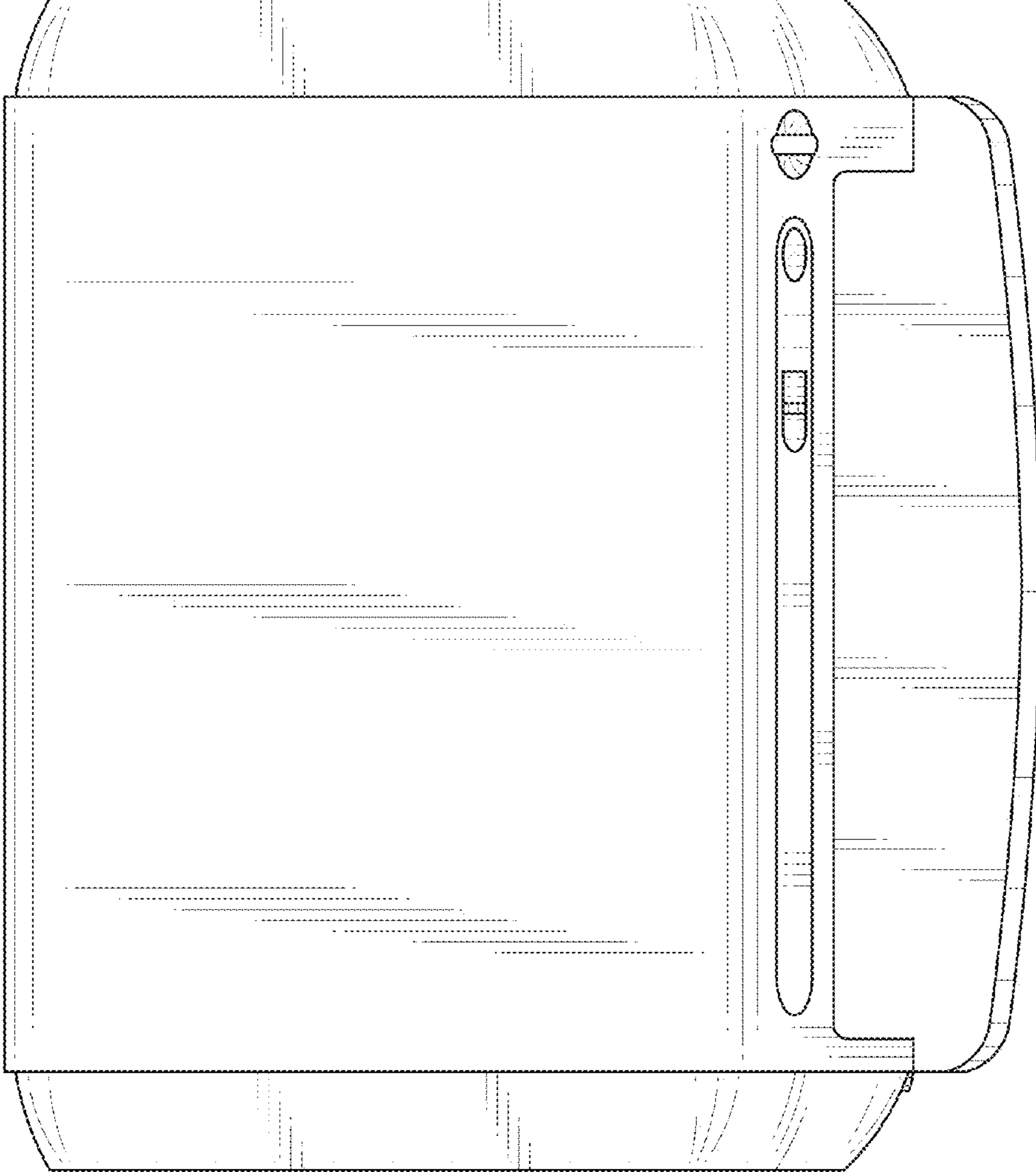


FIG. 5

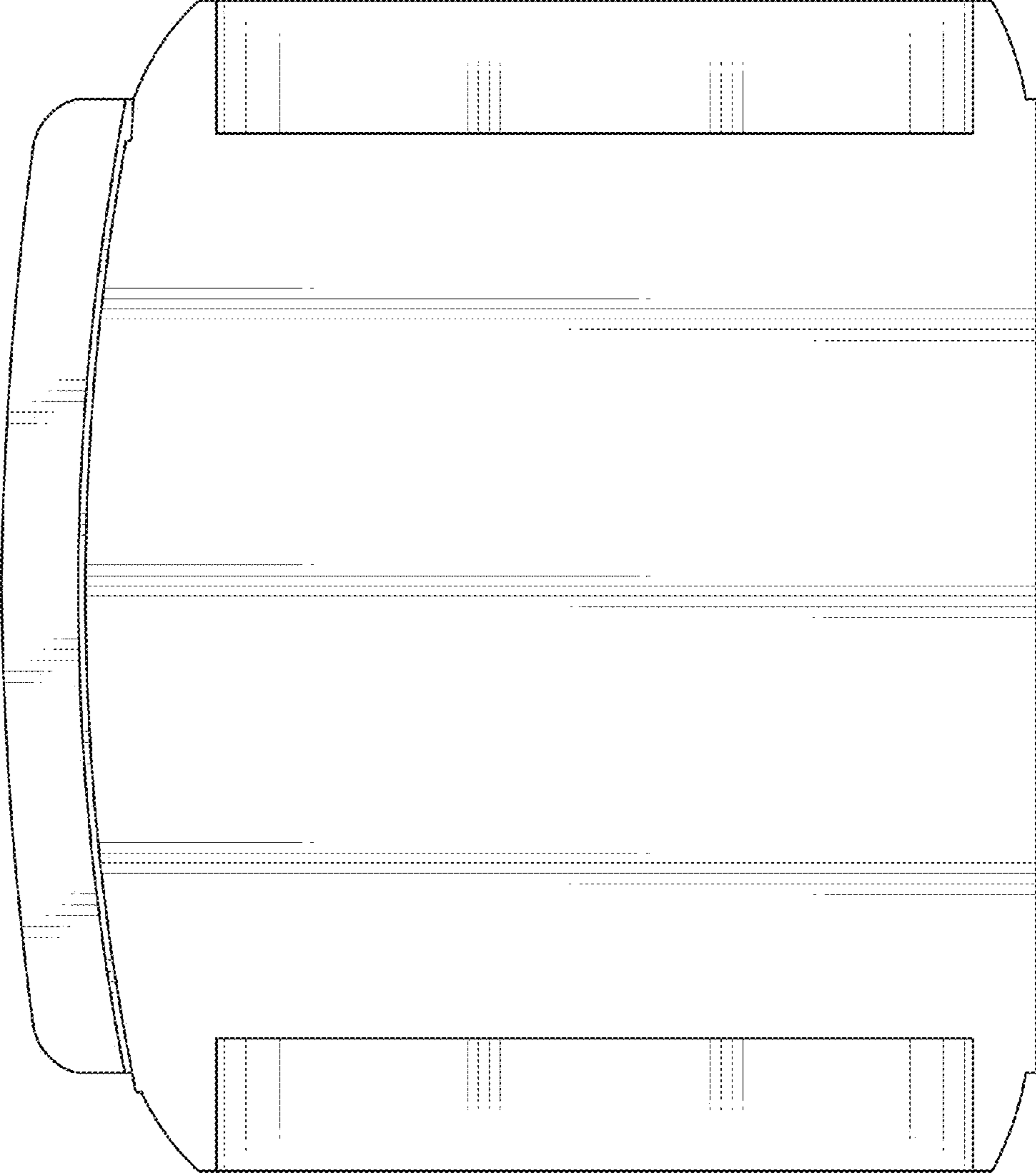


FIG. 6

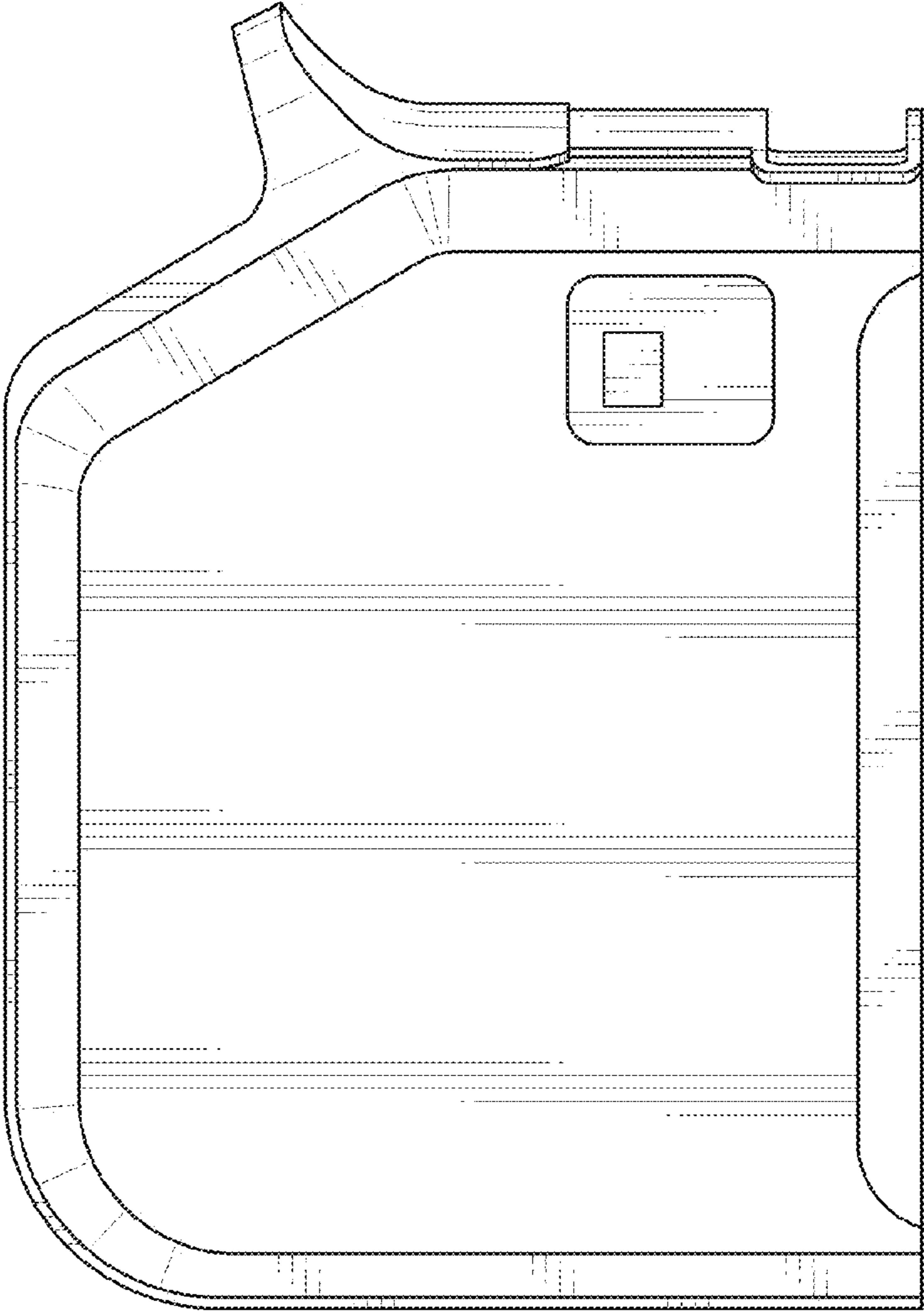


FIG. 7

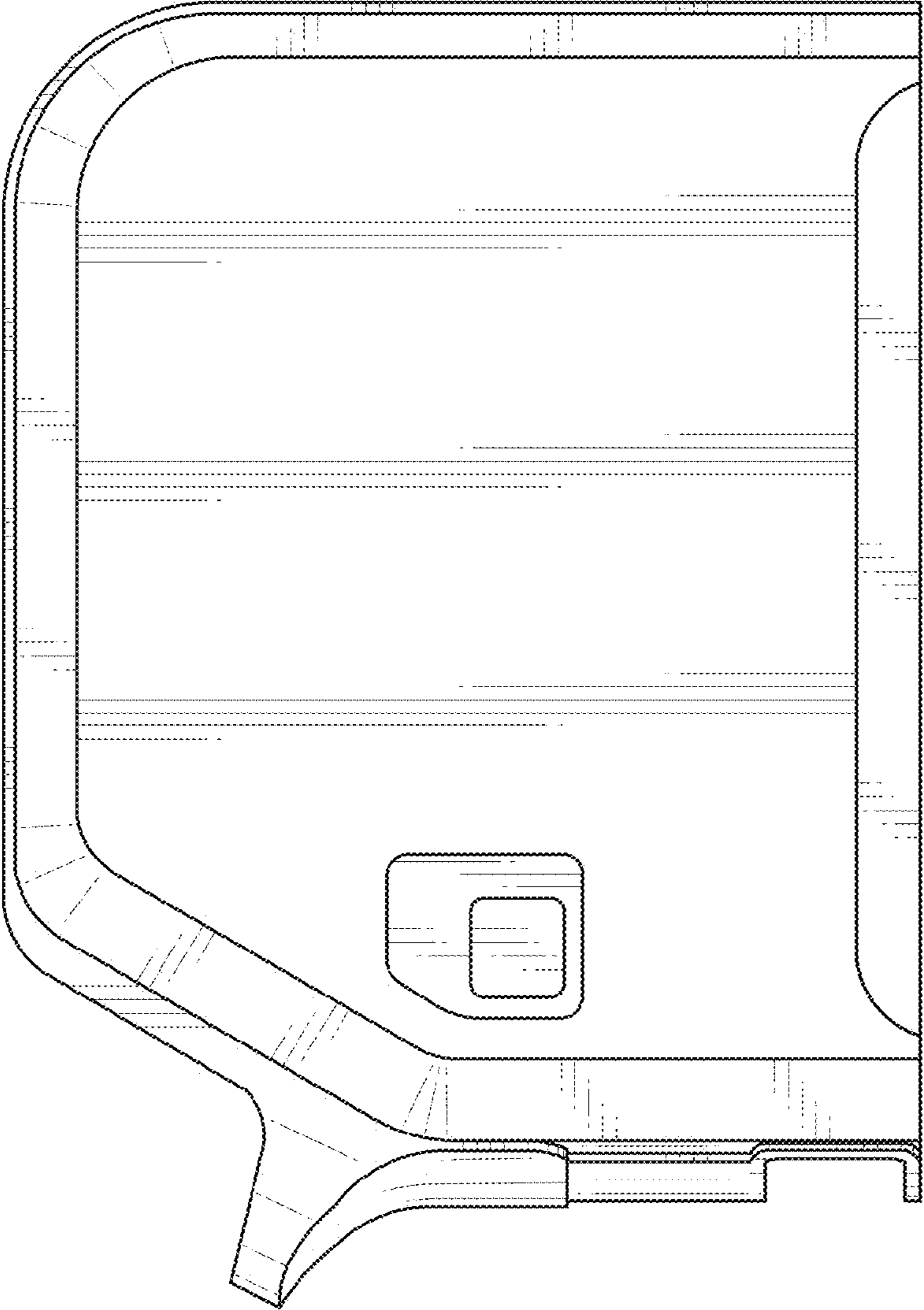


FIG. 8

