



US00D704834S

(12) **United States Design Patent**  
**Bacon et al.**

(10) **Patent No.:** **US D704,834 S**  
(45) **Date of Patent:** **\*\* May 13, 2014**

(54) **MEDICAL BRACKET AND CLAMP**

(71) Applicants: **Glenn S. Bacon**, Portsmouth, NH (US);  
**Michael Vecchione**, Gonic, NH (US);  
**Richard Lamison**, Natrona Heights, PA (US)

(72) Inventors: **Glenn S. Bacon**, Portsmouth, NH (US);  
**Michael Vecchione**, Gonic, NH (US);  
**Richard Lamison**, Natrona Heights, PA (US)

(\*\*) Term: **14 Years**

(21) Appl. No.: **29/447,911**

(22) Filed: **Mar. 7, 2013**

(51) **LOC (10) Cl.** ..... **24-02**

(52) **U.S. Cl.**  
USPC ..... **D24/128**

(58) **Field of Classification Search**  
USPC ..... D24/127-130, 112-114; 604/263, 264,  
604/162, 268, 164.08, 174-180;  
128/DIG. 26; D8/354-356, 394, 71-73,  
D8/381, 367, 371; 248/307, 298.1, 339,  
248/58, 63, 211  
See application file for complete search history.

D305,299 S	1/1990	Freeman	
D310,018 S	8/1990	Landrum	
D318,409 S *	7/1991	Garrett	D8/72
D326,021 S	5/1992	Evenson	
5,188,327 A	2/1993	White	
D342,889 S *	1/1994	Adams	D8/367
D349,447 S *	8/1994	Daniller	D8/367
5,413,297 A	5/1995	Adams	
D365,015 S *	12/1995	Avinger	D8/367
D367,421 S *	2/1996	Powers	D8/73
5,553,823 A	9/1996	Protz, Jr.	
5,588,166 A	12/1996	Burnett	
5,740,994 A	4/1998	Laughlin	
D407,010 S	3/1999	Sobczynski	
5,961,081 A	10/1999	Rinderer	
D422,198 S	4/2000	Snell	
D437,640 S *	2/2001	Breda et al.	D24/128
6,302,365 B1	10/2001	Catanzarite et al.	
D455,947 S	4/2002	Goodman et al.	
D469,341 S *	1/2003	Knapp	D8/367
6,565,048 B1	5/2003	Meyer	
D477,769 S	7/2003	Shea	
6,629,676 B1	10/2003	Gretz	

(Continued)

Primary Examiner — David Muller

(74) Attorney, Agent, or Firm — John P. McGonagle

(57) **CLAIM**

The ornamental design for a medical bracket and clamp, as shown and described.

**DESCRIPTION**

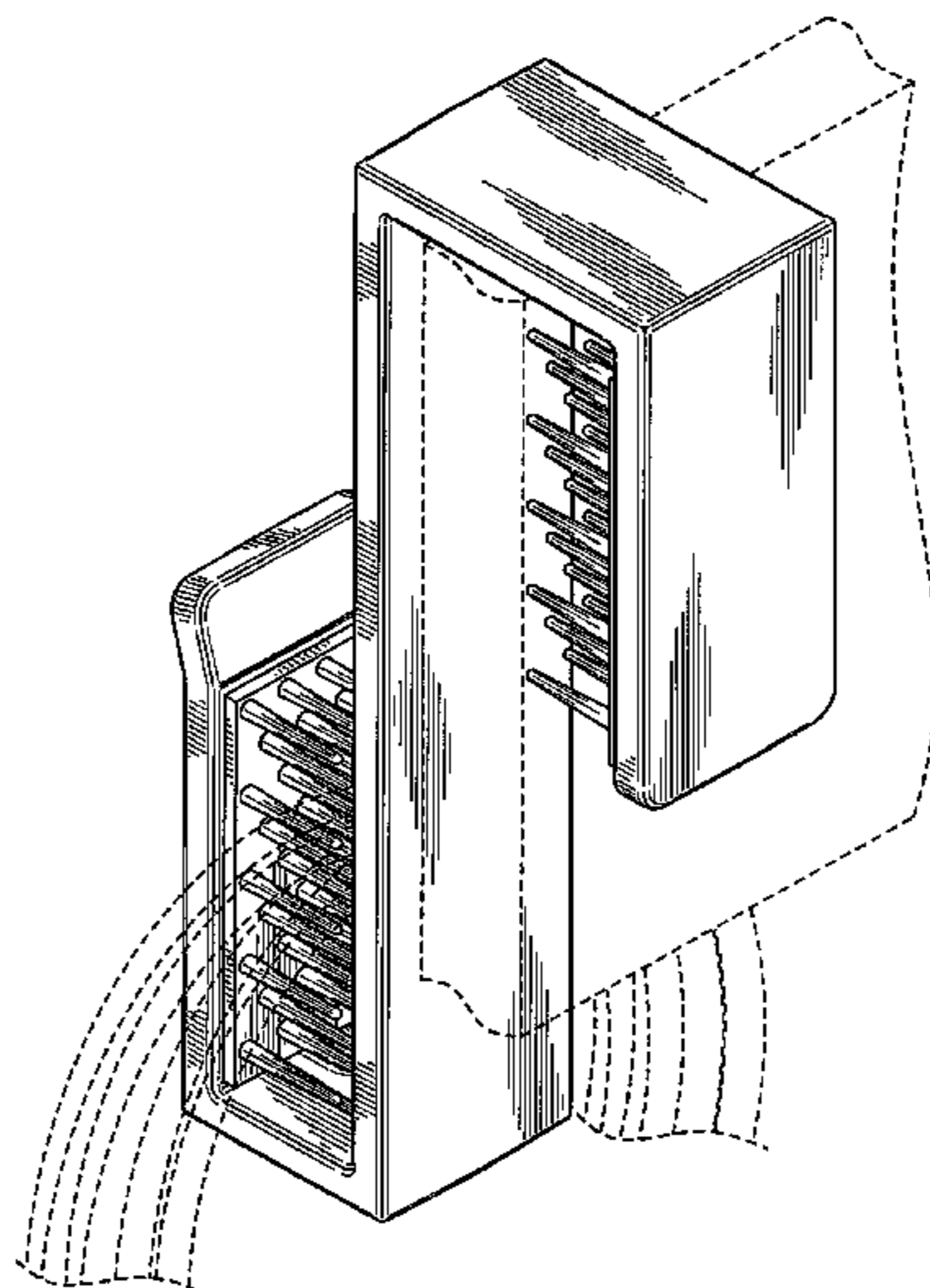
FIG. 1 is a top perspective view of a medical bracket and clamp showing my new design.  
FIG. 2 is a side view thereof, the opposite side being a mirror image thereof;  
FIG. 3 is a rear view thereof;  
FIG. 4 is a top view thereof;  
FIG. 5 is a bottom view thereof; and,  
FIG. 6 is a front view thereof.  
The partial view of a hospital bed end and cables shown in broken lines depict environmental structure only and form no part of the claimed design.

**1 Claim, 3 Drawing Sheets**

(56) **References Cited**

**U.S. PATENT DOCUMENTS**

810,004 A	1/1906	Tabter	
873,488 A	12/1907	De Beaumont et al.	
888,032 A	5/1908	Peterson	
2,144,272 A	1/1939	Ray	
2,876,464 A	3/1959	Helverson	
2,913,740 A	11/1959	Eldridge	
4,182,005 A	1/1980	Harrington	
D256,661 S *	9/1980	Graham	D8/71
4,285,486 A	8/1981	Von Osten et al.	
4,472,860 A	9/1984	Osterlind	
D290,931 S *	7/1987	Powell	D8/371
4,702,443 A	10/1987	Callaway	
4,817,239 A	4/1989	Campbell et al.	



(56)

**References Cited**

U.S. PATENT DOCUMENTS

D491,447 S *	6/2004	Diss .....	D8/371	7,407,138 B1	8/2008	Gretz	
D494,047 S	8/2004	Klein et al.		D584,939 S	1/2009	Snell	
D494,050 S	8/2004	Klein et al.		7,578,492 B2	8/2009	Darre'	
D494,454 S	8/2004	Klein et al.		7,731,138 B2	6/2010	Wiesner et al.	
D494,844 S	8/2004	Klein et al.		7,789,359 B2	9/2010	Chopp, Jr. et al.	
D516,326 S	3/2006	Goodman et al.		D628,052 S	11/2010	Carl	
D535,550 S	1/2007	Silberman		7,837,156 B1	11/2010	Handler	
D536,882 S	2/2007	Sheley		7,887,017 B2 *	2/2011	Moran .....	248/339
D538,137 S	3/2007	Dukes		7,992,833 B1	8/2011	Goodman et al.	
7,207,088 B2	4/2007	Adams et al.		D657,054 S	4/2012	Bacon	
D567,070 S	4/2008	George		D666,083 S *	8/2012	Mackay .....	D8/367
D572,044 S	7/2008	Miros		8,360,381 B2 *	1/2013	Lee .....	248/339
				2003/0066938 A1	4/2003	Zimmerman	
				2003/0140460 A1	7/2003	McCue	
				2006/0031988 A1	2/2006	Morse	

\* cited by examiner

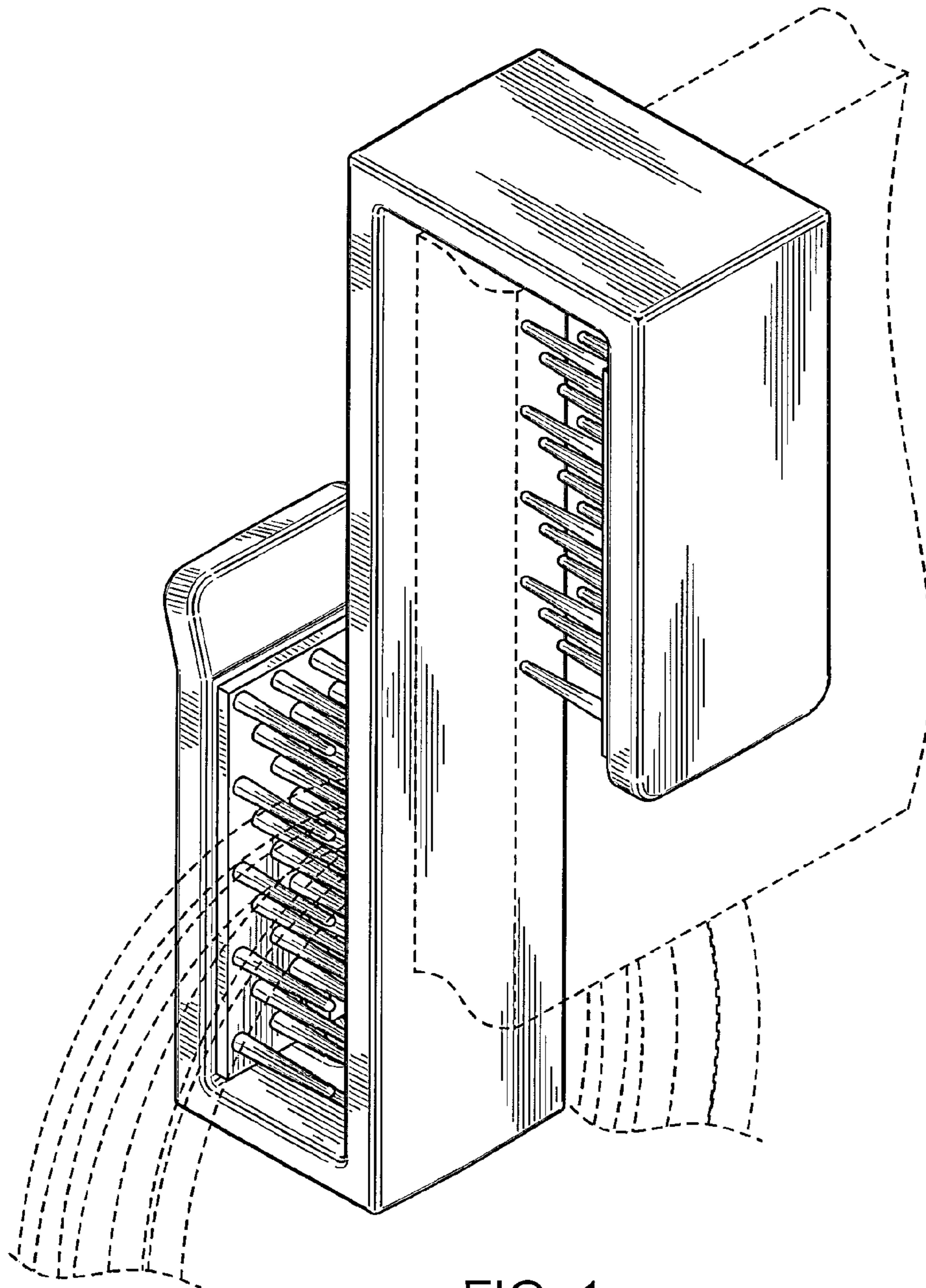


FIG. 1

FIG. 2

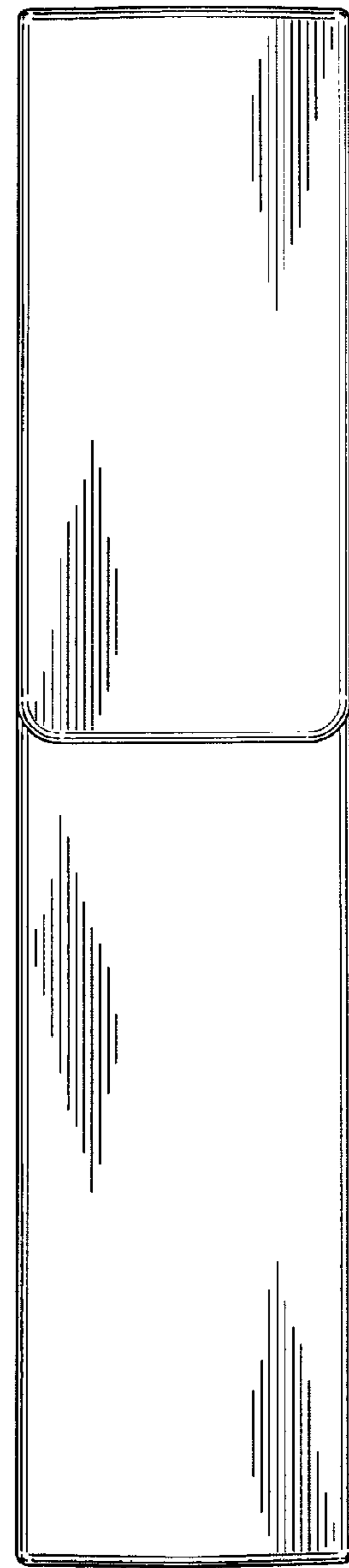
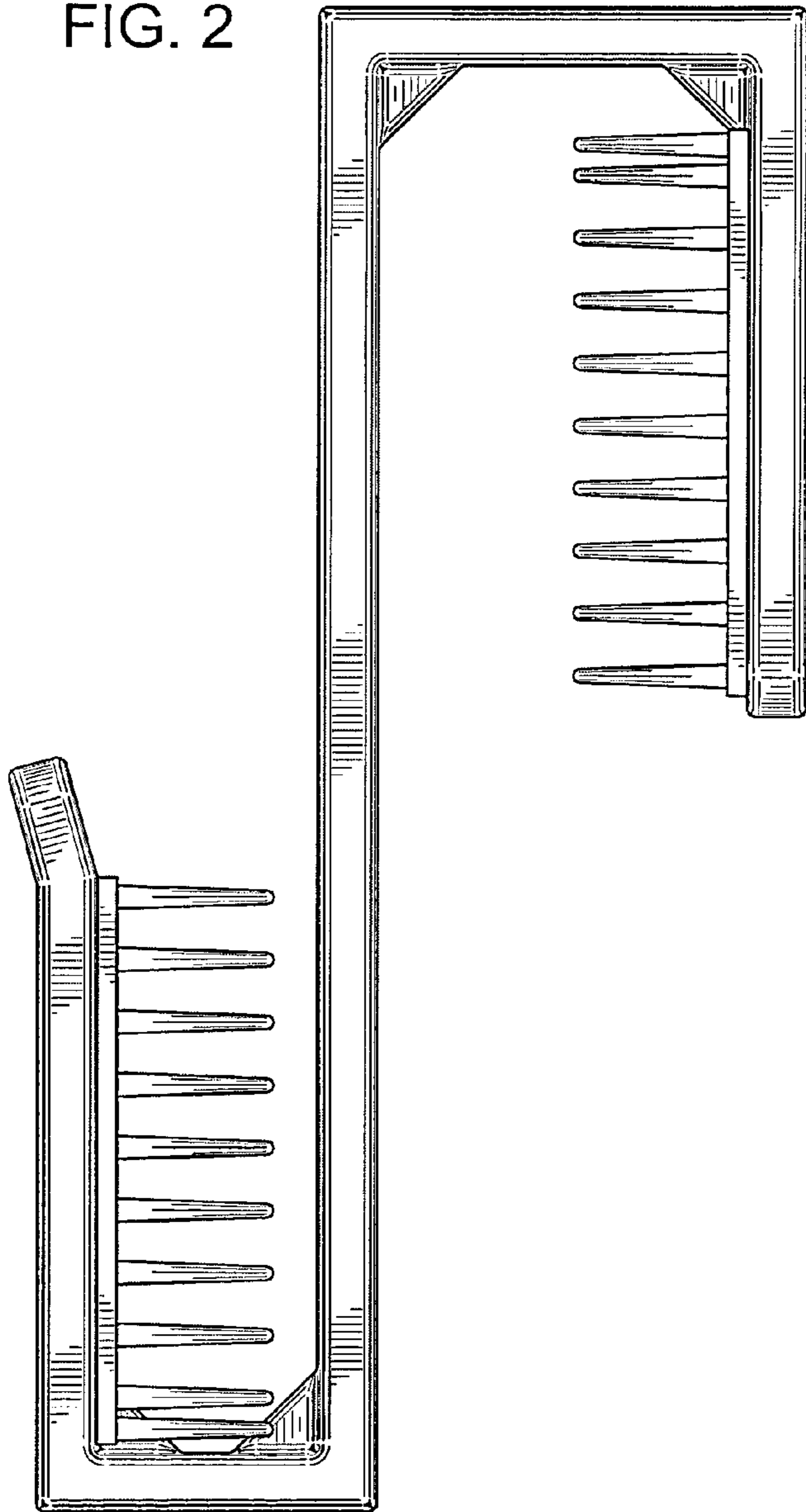


FIG. 3

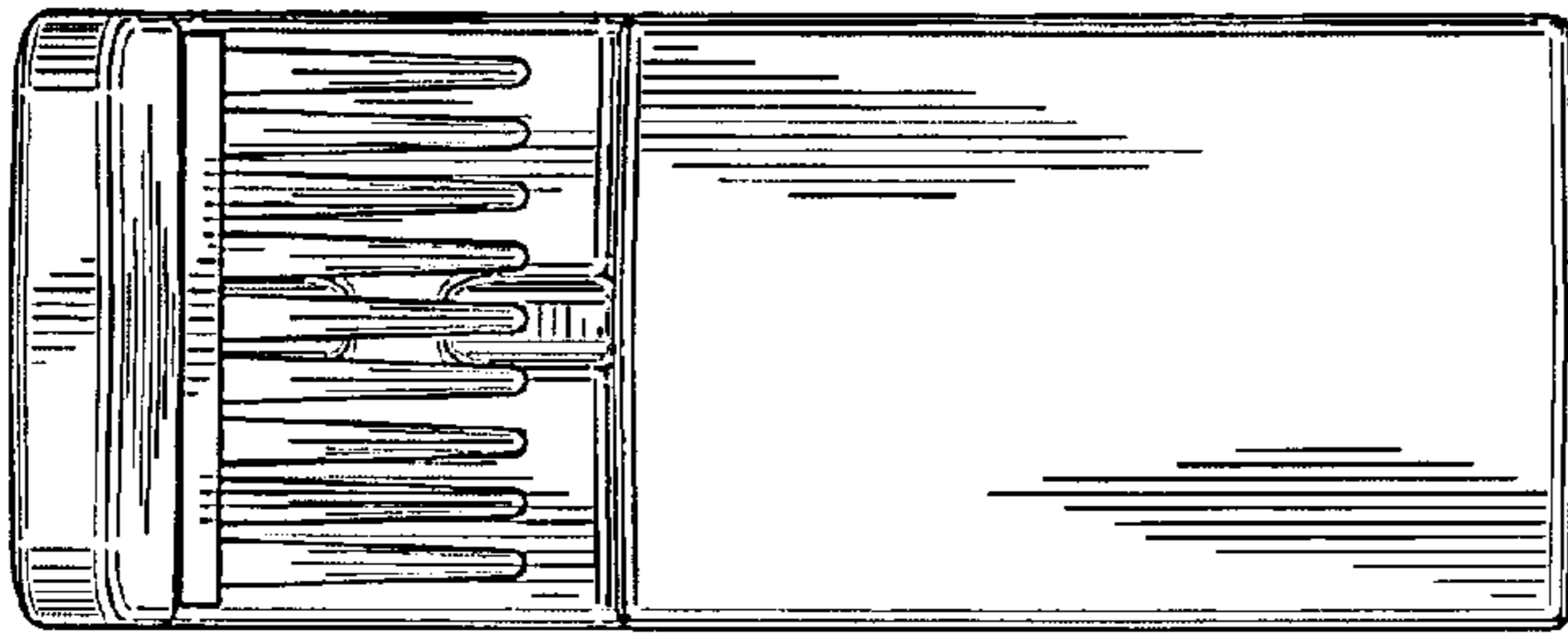


FIG. 4

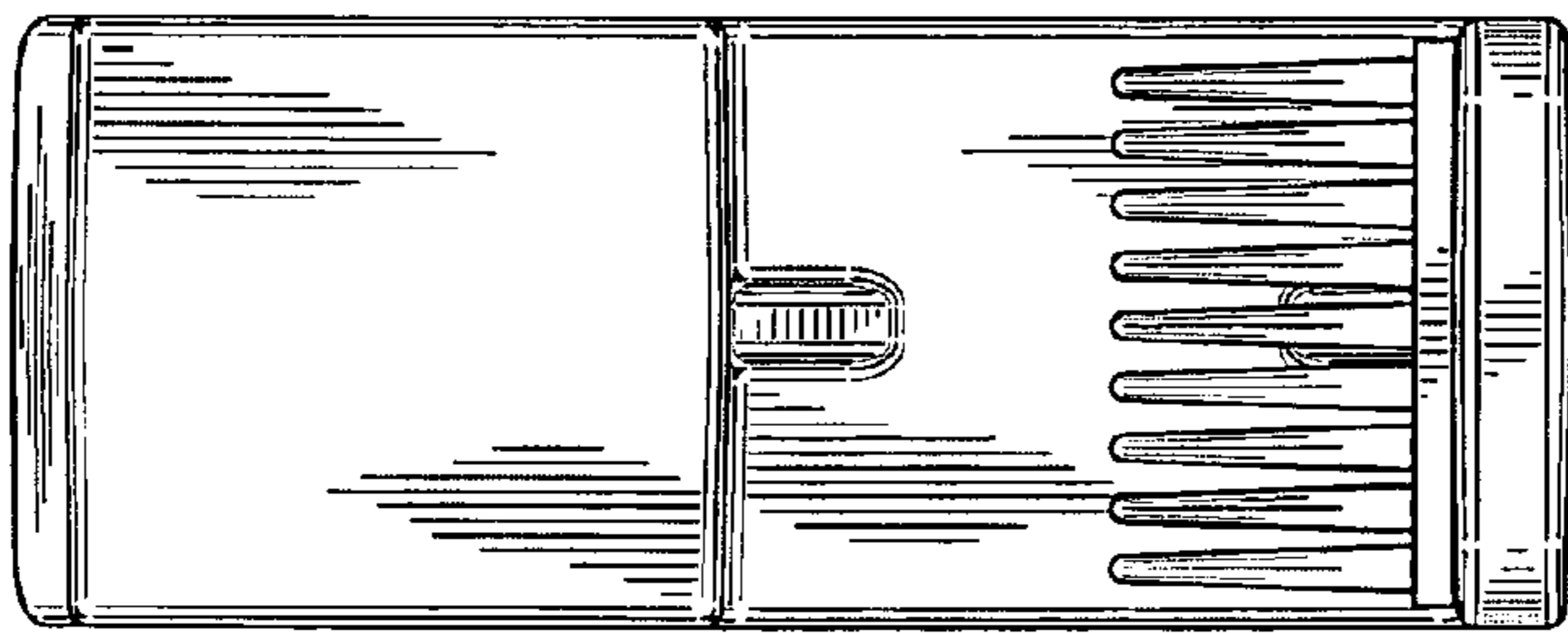


FIG. 5

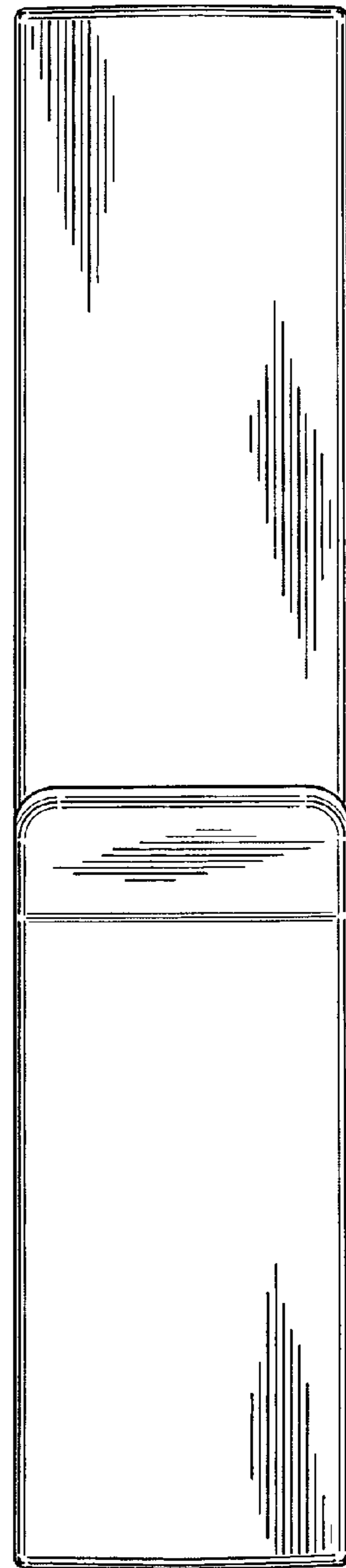


FIG. 6