



US00D704833S

(12) **United States Design Patent**
Finney et al.

(10) **Patent No.:** **US D704,833 S**

(45) **Date of Patent:** **** May 13, 2014**

(54) **HOLDER FOR INTRAOCULAR LENS**

(71) Applicant: **Santen Pharmaceutical Co., Ltd.**,
Osaka (JP)

(72) Inventors: **Carolyn Finney**, Goleta, CA (US);
Manthan Patel, Goleta, CA (US);
Jensen Buck, Goleta, CA (US); **Anand**
Doraiswamy, Goleta, CA (US)

(73) Assignee: **Santen Pharmaceutical Co., Ltd.**,
Osaka (JP)

(**) Term: **14 Years**

(21) Appl. No.: **29/438,514**

(22) Filed: **Nov. 30, 2012**

(51) **LOC (10) Cl.** **24-03**

(52) **U.S. Cl.**
USPC **D24/128; D24/157**

(58) **Field of Classification Search**
USPC D24/150, 128, 157, 172, 184;
D3/203.1, 201, 203.3, 203.7; 606/107;
206/436, 5.1; 604/294
See application file for complete search history.

(56) **References Cited**

U.S. PATENT DOCUMENTS

4,619,657	A *	10/1986	Keates et al.	606/107
5,281,227	A *	1/1994	Sussman	606/107
6,129,733	A *	10/2000	Brady et al.	606/107
D434,558	S *	12/2000	Brady et al.	D3/203.1

7,281,699	B2 *	10/2007	Hovey et al.	206/5.1
2006/0037871	A1 *	2/2006	Jin et al.	206/5.1
2008/0051801	A1 *	2/2008	Hovey et al.	606/107
2011/0144654	A1 *	6/2011	Isaacs et al.	606/107
2011/0245840	A1	10/2011	Seyboth et al.		

* cited by examiner

Primary Examiner — Wan Laymon

(74) *Attorney, Agent, or Firm* — Whyte Hirschboeck Dudek
S.C.; Grady J. Frenchick

(57) **CLAIM**

The ornamental design for a holder for intraocular lens, as shown and described.

DESCRIPTION

FIG. 1 is a front view of a holder for intraocular lens showing our new design;

FIG. 2 is a left side view thereof;

FIG. 3 is a right side view thereof;

FIG. 4 is a top plan view thereof;

FIG. 5 is a bottom view thereof;

FIG. 6 is a perspective view thereof;

FIG. 7 is a sectional view thereof taken on line 7-7 of FIG. 1;

FIG. 8 is a sectional view thereof taken on line 8-8 of FIG. 2;

and,

FIG. 9 is a reference perspective view thereof showing a condition in use.

The broken line showings of FIGS. 1-9 are environmental only and not part of the claimed design.

The dash-dot line showings of FIGS. 4 and 6-9 illustrate a boundary between the claimed design and environmental features and form no part of the claimed design.

A rear view is omitted because the rear view is symmetrical to the front view.

1 Claim, 9 Drawing Sheets

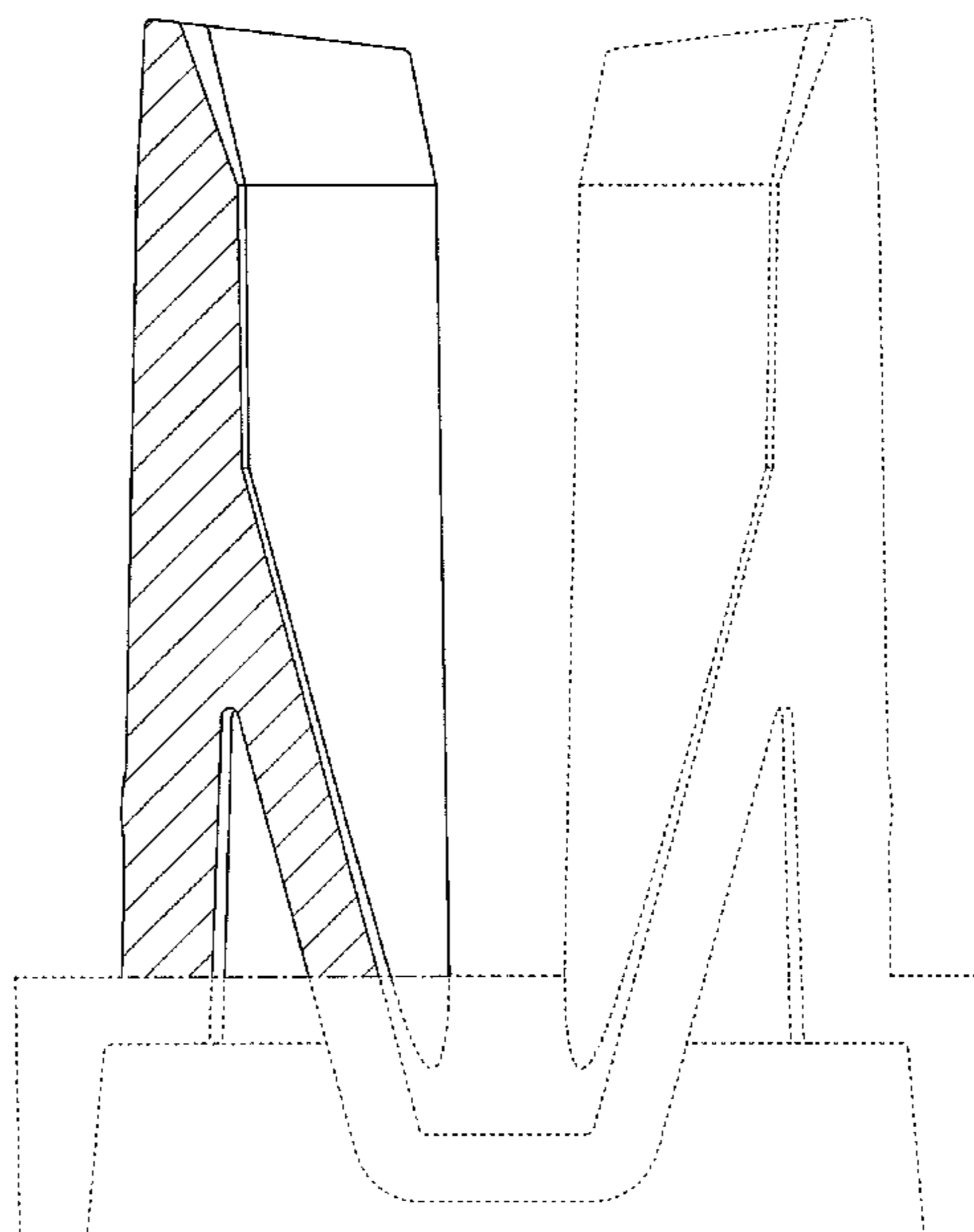
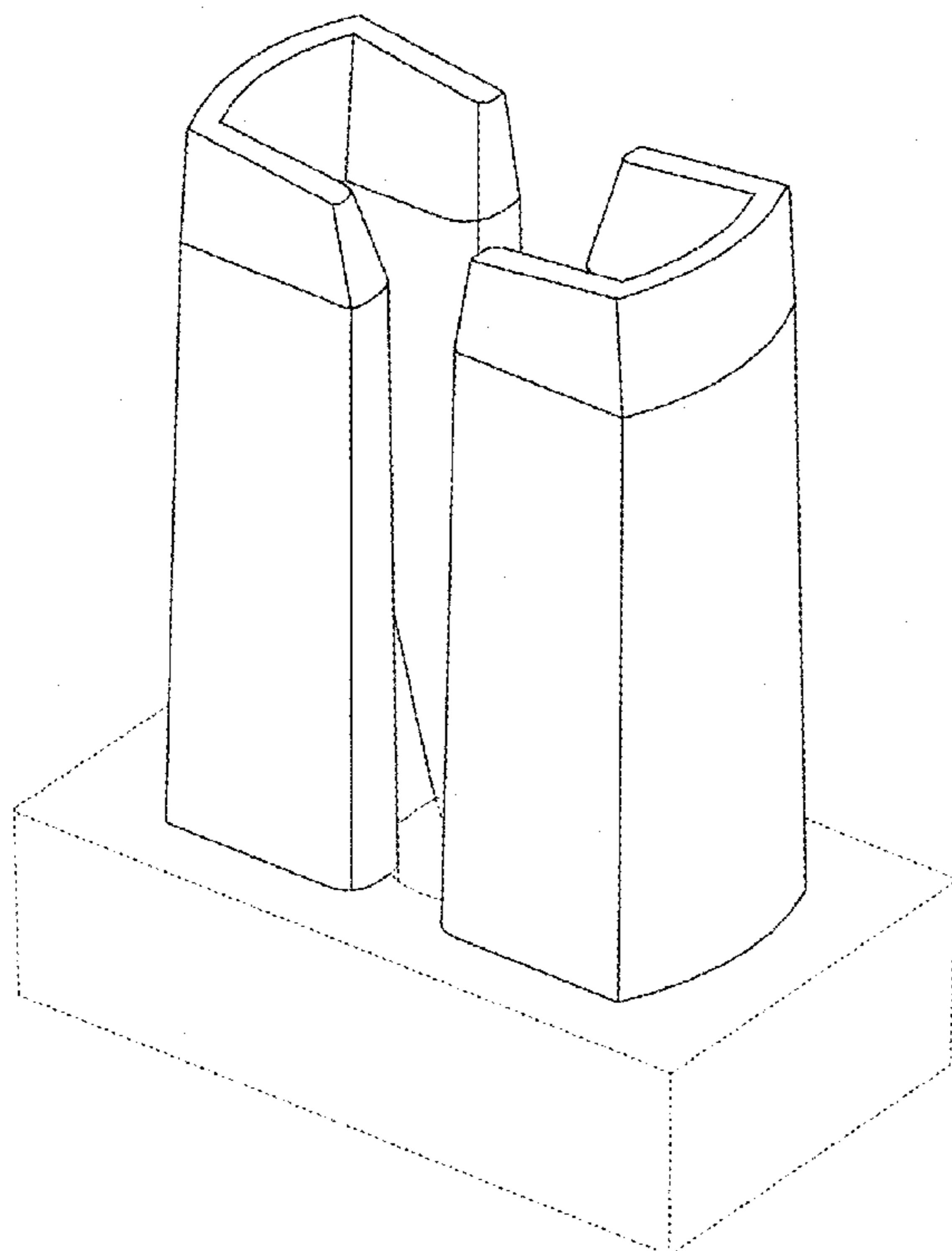


Fig.1

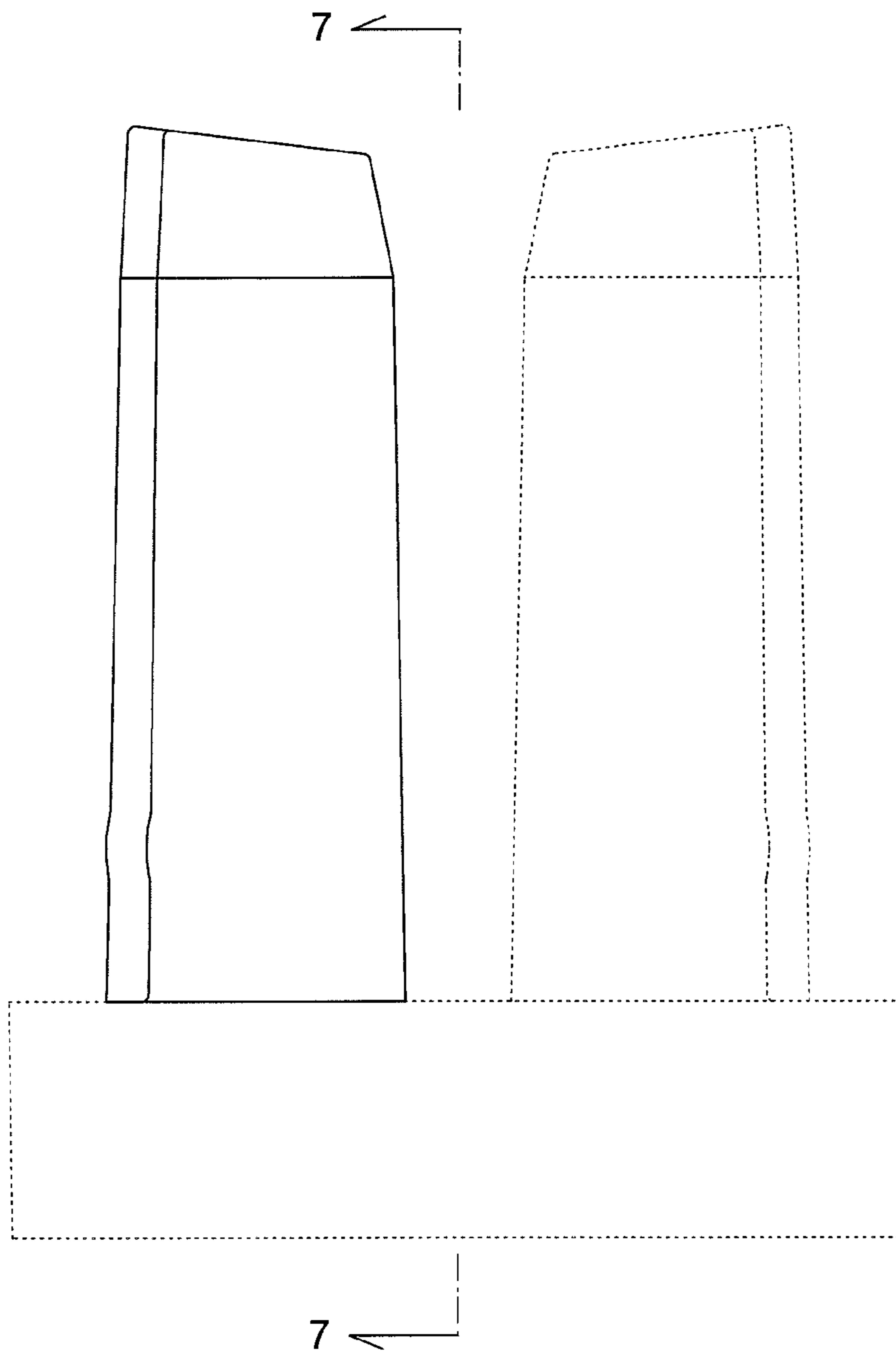


Fig.2

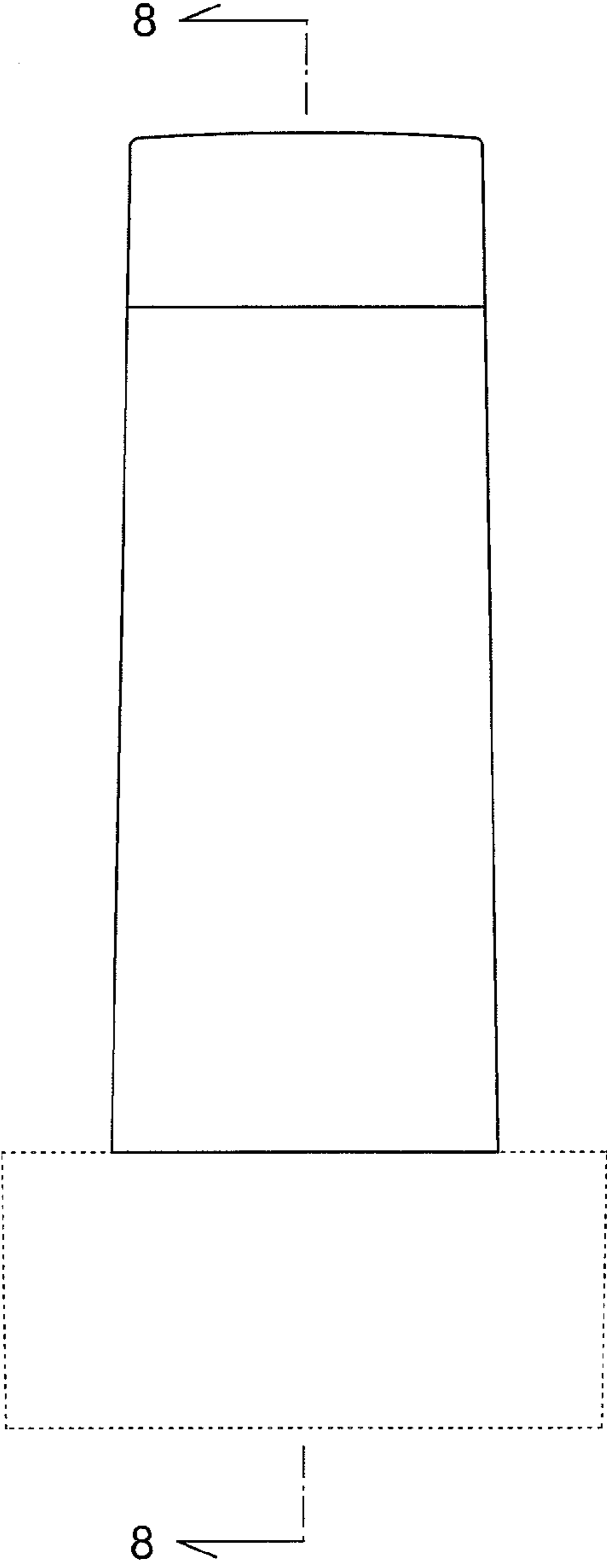


Fig.3

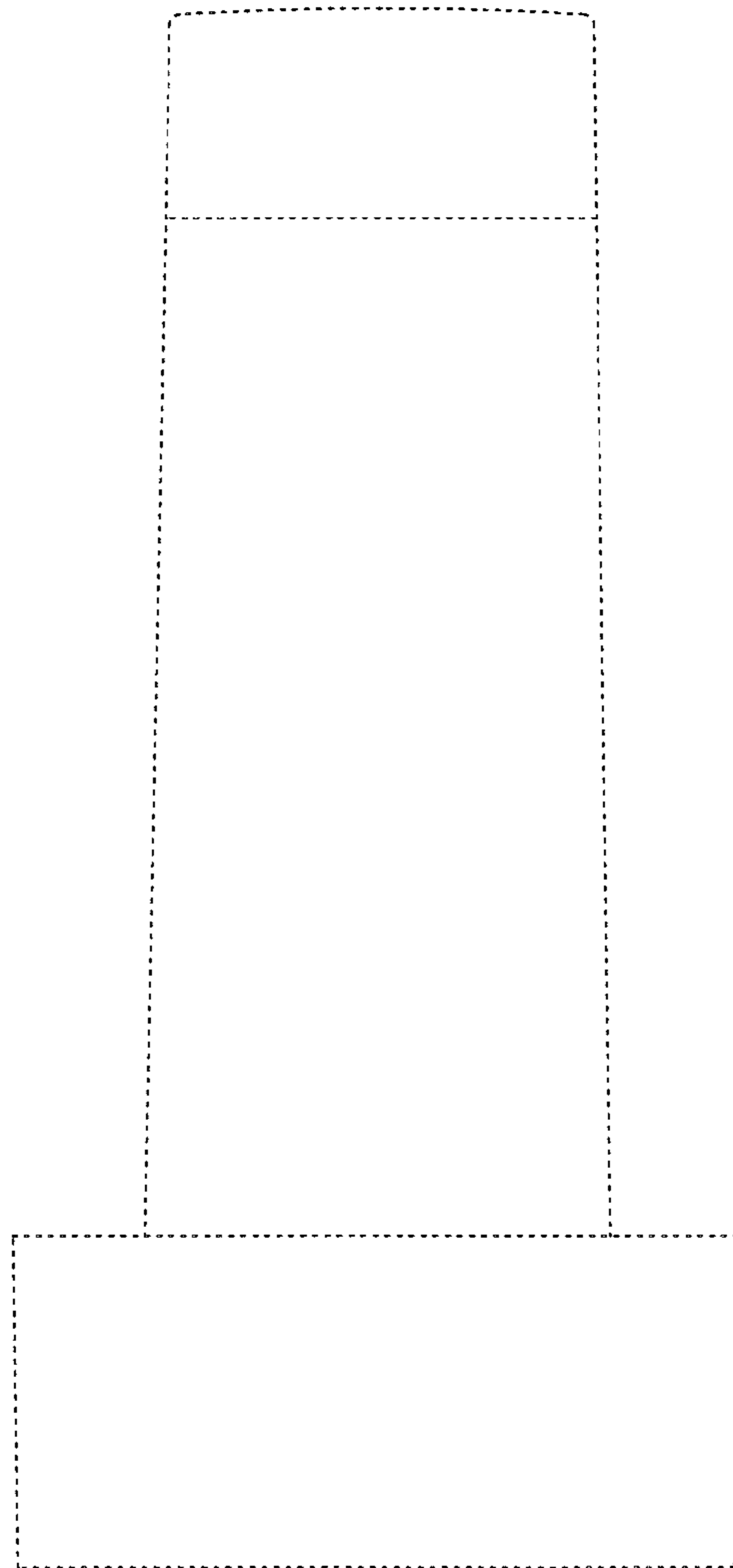


Fig.4

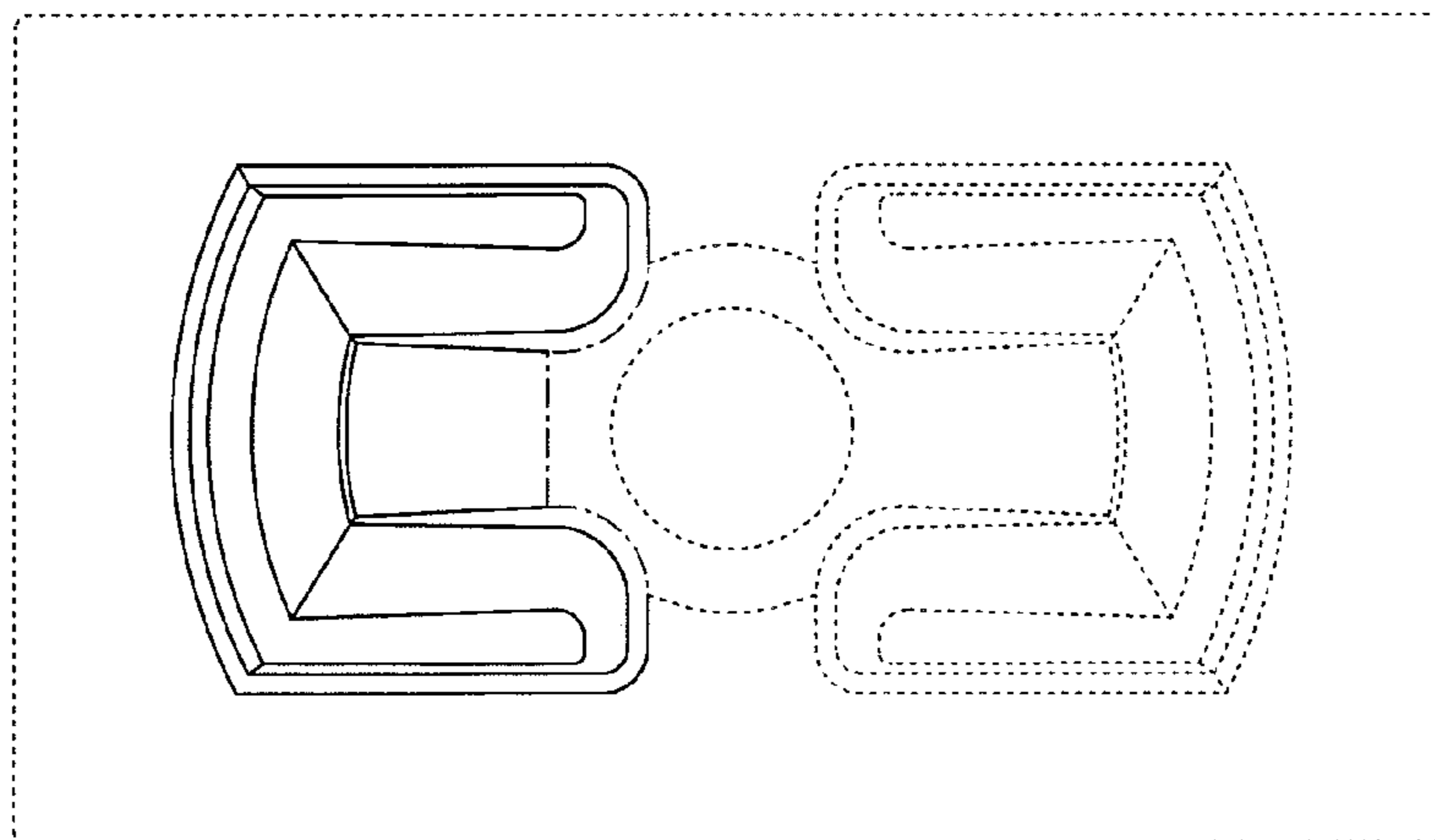


Fig.5

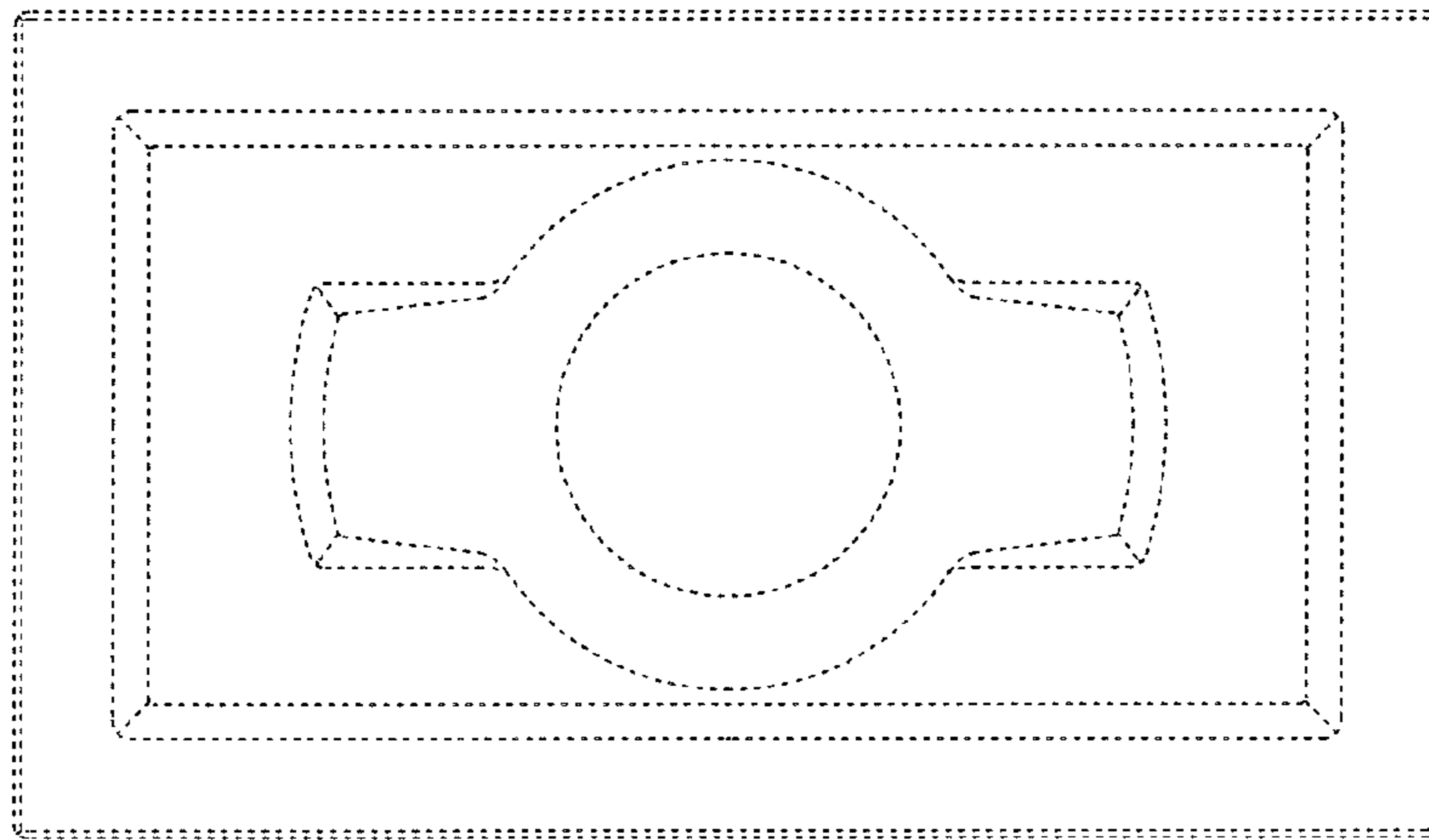


FIG. 6

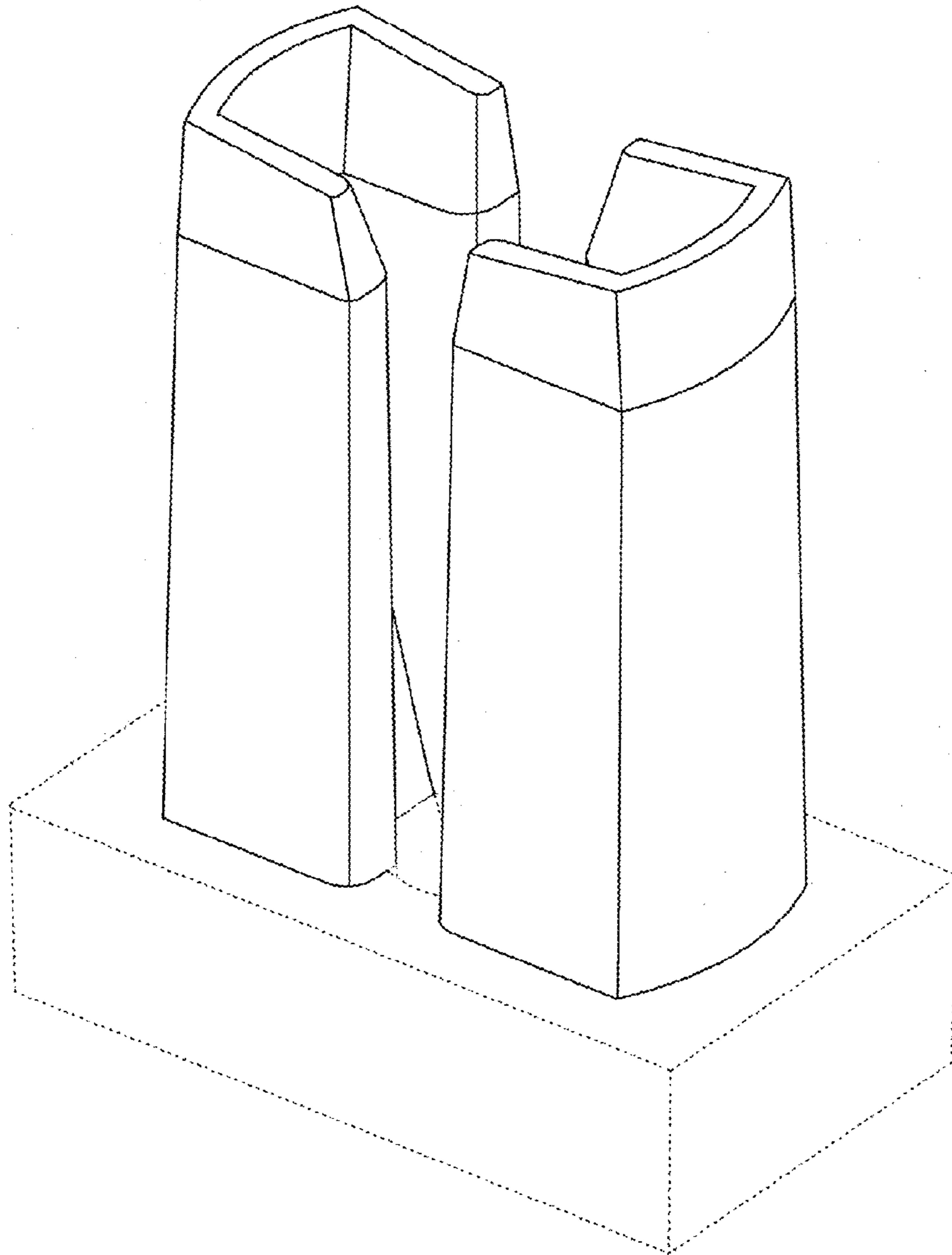


Fig.7

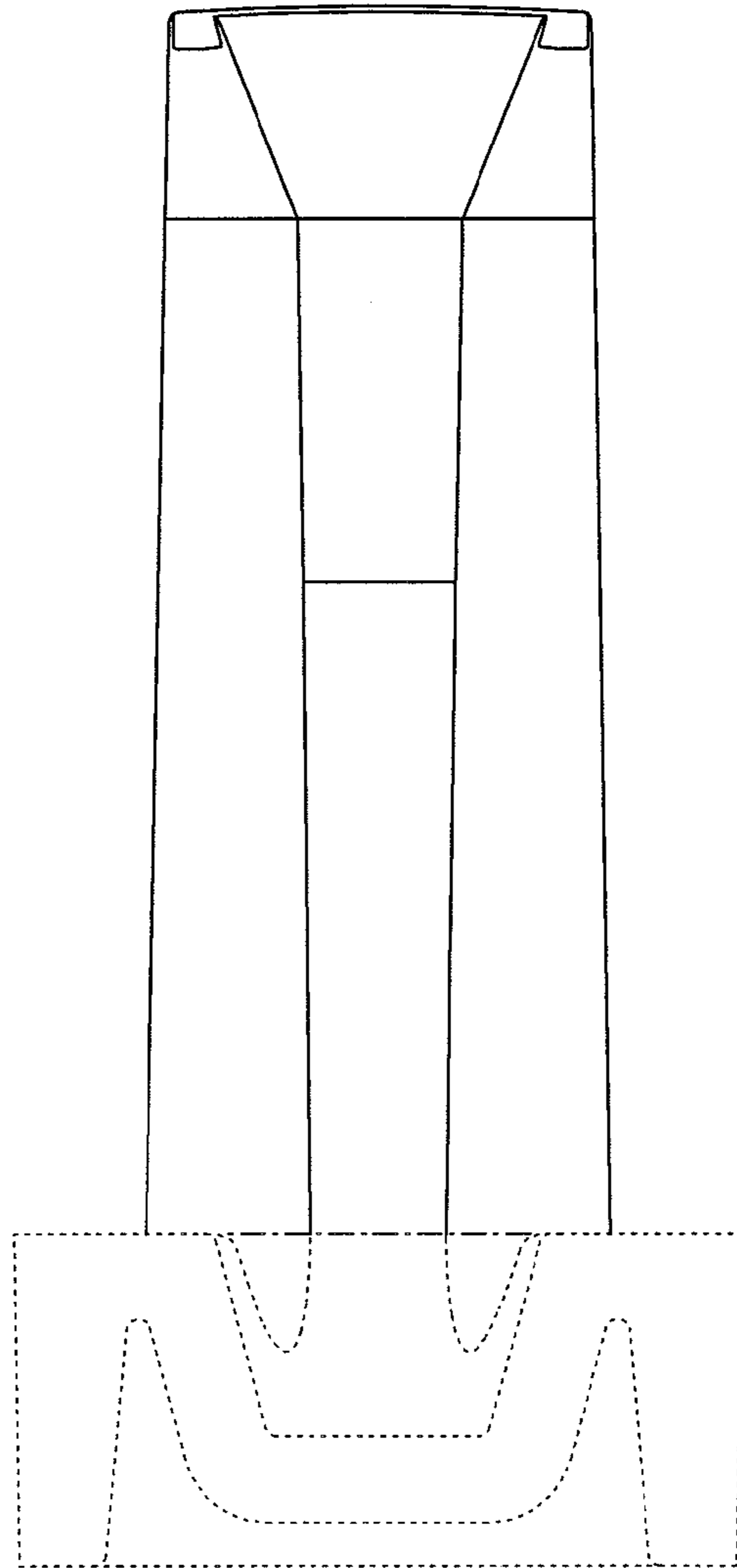


Fig.8

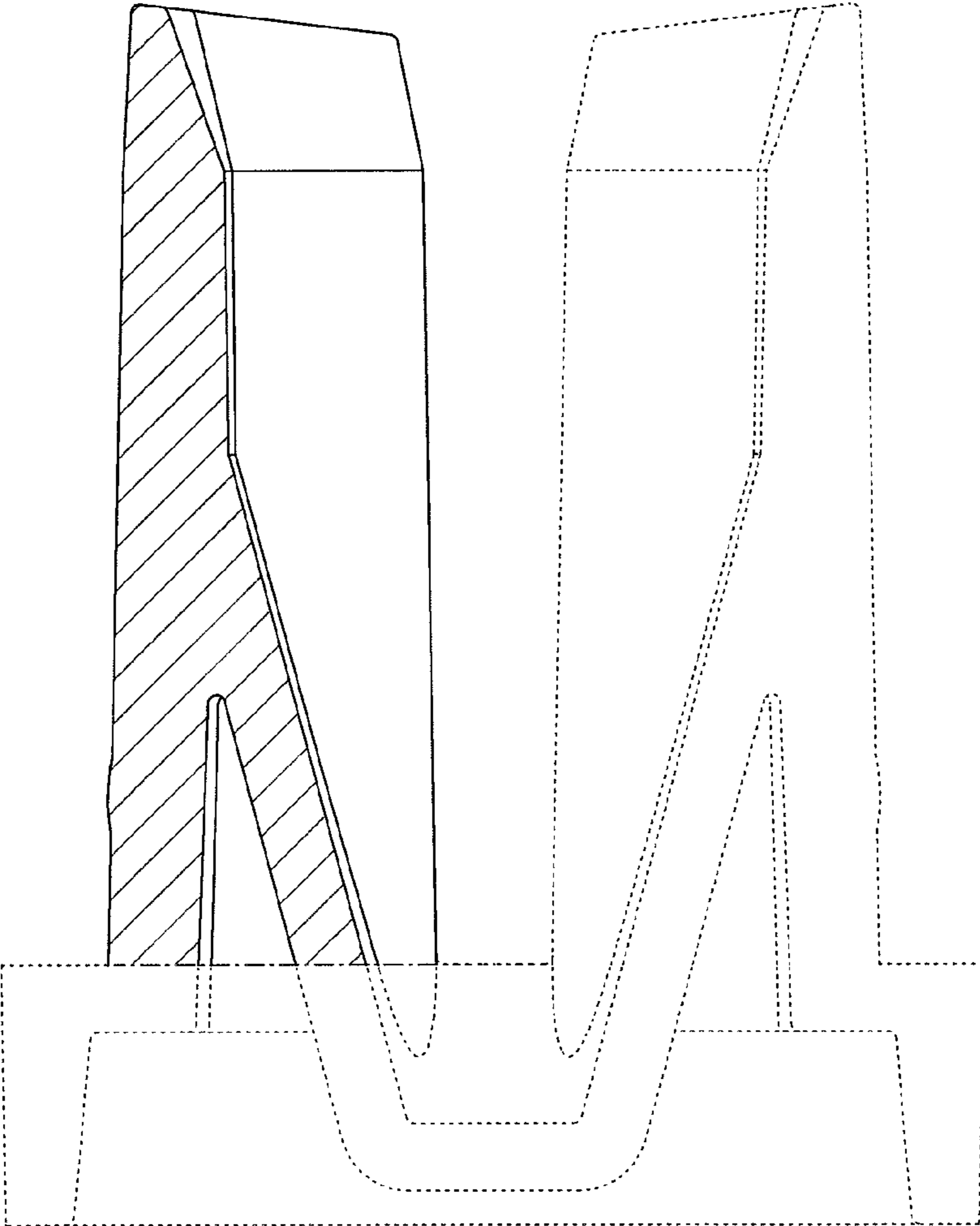


FIG. 9

