



US00D704832S

(12) **United States Design Patent**  
**Patel et al.**

(10) **Patent No.:** **US D704,832 S**

(45) **Date of Patent:** **\*\* May 13, 2014**

(54) **HOLDER FOR INTRAOCULAR LENS**

(71) Applicant: **Santen Pharmaceutical Co., Ltd.**,  
Osaka (JP)

(72) Inventors: **Manthan Patel**, Goleta, CA (US);  
**Carolyn Finney**, Goleta, CA (US);  
**Jensen Buck**, Goleta, CA (US); **Anand**  
**Doraiswamy**, Goleta, CA (US)

(73) Assignee: **Santen Pharmaceutical Co., Ltd.**,  
Osaka (JP)

(\*\*) Term: **14 Years**

(21) Appl. No.: **29/438,509**

(22) Filed: **Nov. 30, 2012**

(51) **LOC (10) Cl.** ..... **24-03**

(52) **U.S. Cl.**  
USPC ..... **D24/128; D24/157**

(58) **Field of Classification Search**  
USPC ..... D24/150, 128, 157, 172, 184;  
D3/203.1, 201, 203.3, 203.7; 606/107;  
206/436, 5.1; 604/294  
See application file for complete search history.

(56) **References Cited**

**U.S. PATENT DOCUMENTS**

4,619,657 A \* 10/1986 Keates et al. .... 606/107  
5,281,227 A \* 1/1994 Sussman ..... 606/107  
6,129,733 A \* 10/2000 Brady et al. .... 606/107  
D434,558 S \* 12/2000 Brady et al. .... D3/203.1

7,281,699 B2 \* 10/2007 Hovey et al. .... 206/5.1  
2006/0037871 A1 \* 2/2006 Jin et al. .... 206/5.1  
2008/0051801 A1 \* 2/2008 Hovey et al. .... 606/107  
2011/0144654 A1 \* 6/2011 Isaacs et al. .... 606/107  
2011/0245840 A1 10/2011 Seyboth et al.

\* cited by examiner

*Primary Examiner* — Wan Laymon

(74) *Attorney, Agent, or Firm* — Whyte Hirschboeck Dudek  
S.C.; Grady J. Frenchick

(57) **CLAIM**

The ornamental design for a holder for intraocular lens, as  
shown and described.

**DESCRIPTION**

FIG. 1 is a front view of a holder for intraocular lens showing  
our new design;

FIG. 2 is a right side view thereof;

FIG. 3 is a top plan view thereof;

FIG. 4 is a bottom view thereof;

FIG. 5 is a perspective view thereof;

FIG. 6 is a sectional view thereof taken on line 6-6 of FIG. 1;

FIG. 7 is a sectional view thereof taken on line 7-7 of FIG. 2;

and,

FIG. 8 is a reference perspective view thereof showing a  
condition in use.

The Broken line showings of FIGS. 1-8 are environmental  
only and not part of the claimed design.

The dash-dot line showings of FIGS. 3, 5-8 illustrate a bound-  
ary between the claimed design and environmental features  
and form no part of the claimed design.

A rear view and a left side view are omitted because the rear  
view is identical to the front view and the left side view is  
identical to the right side view.

**1 Claim, 8 Drawing Sheets**

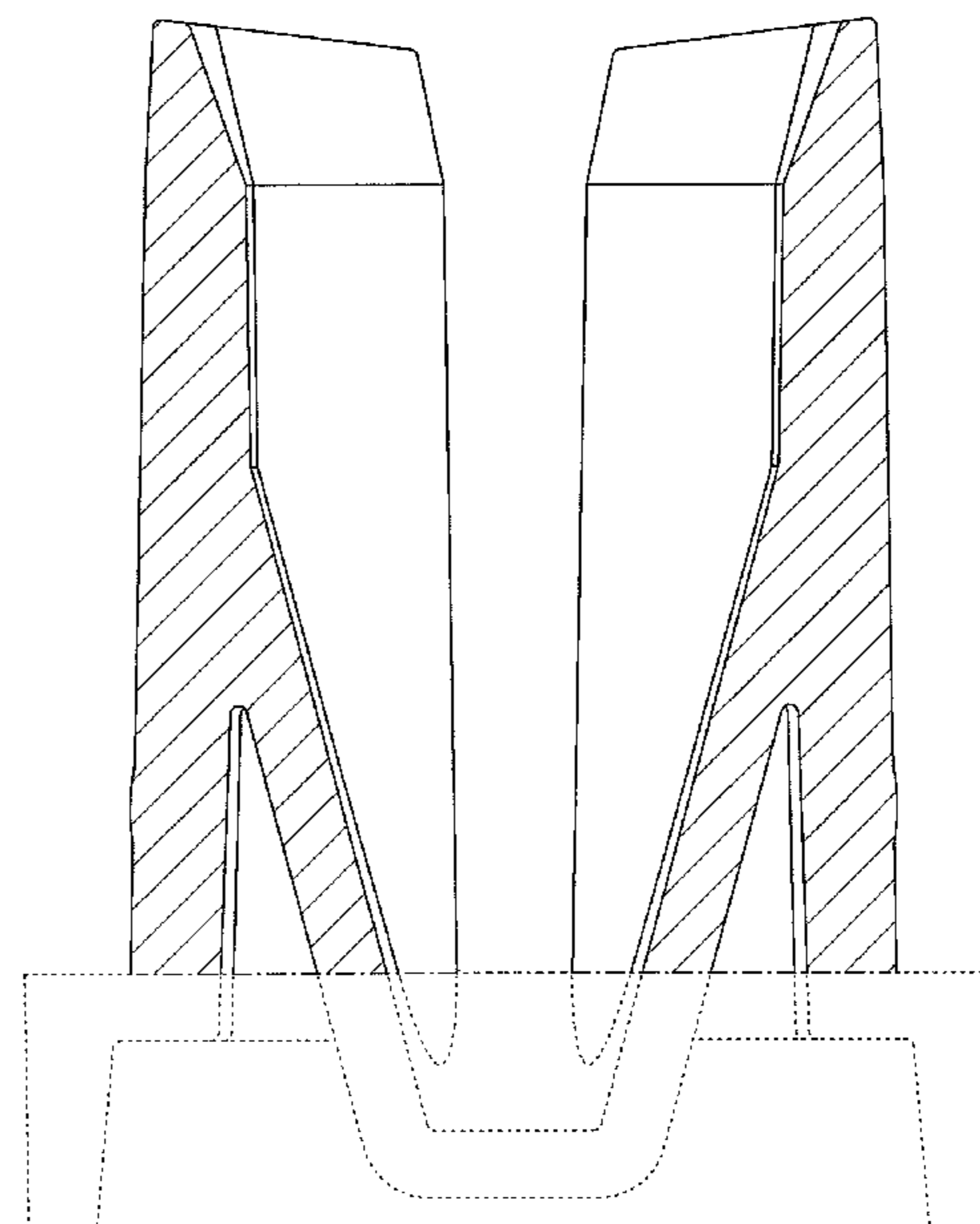
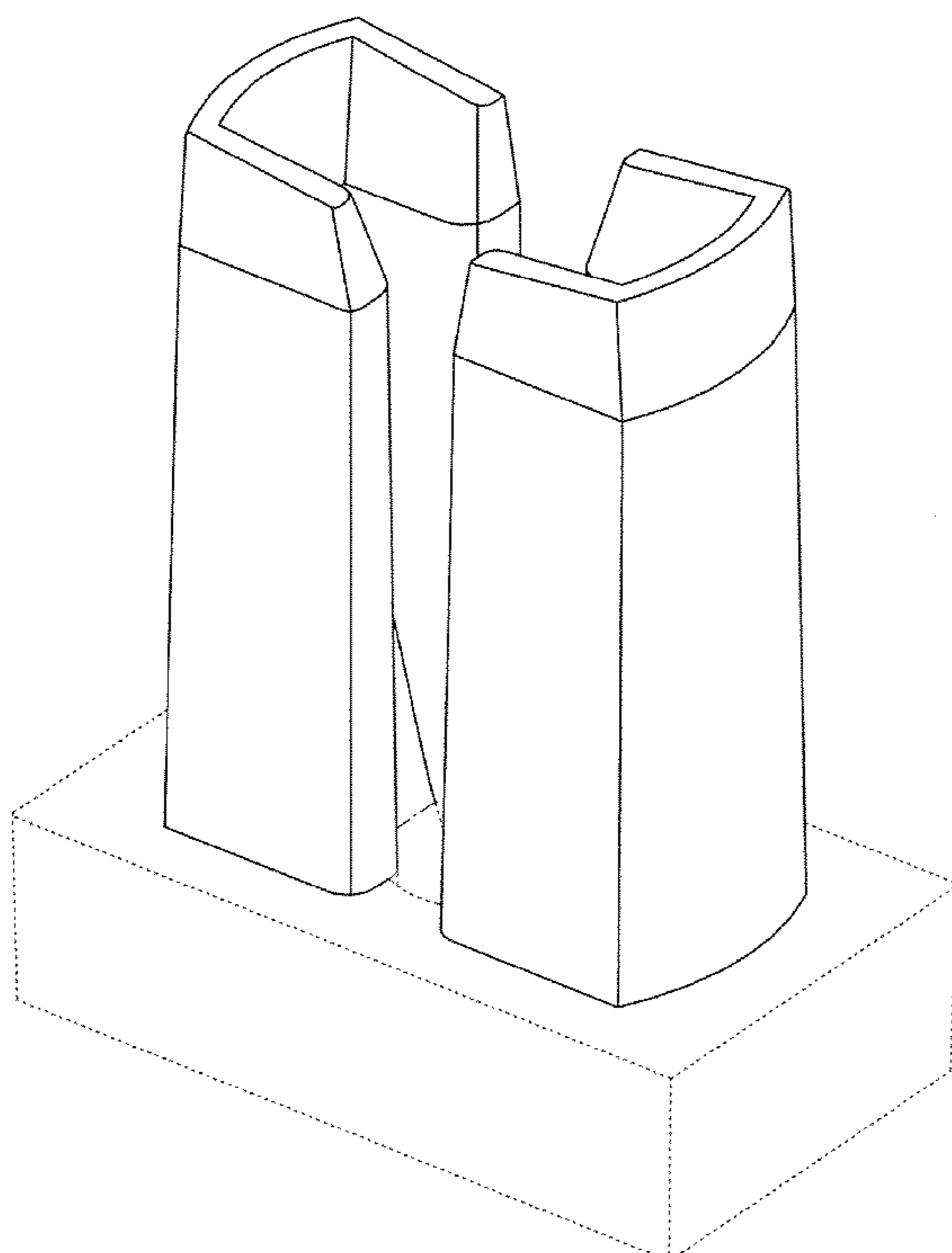


Fig.1

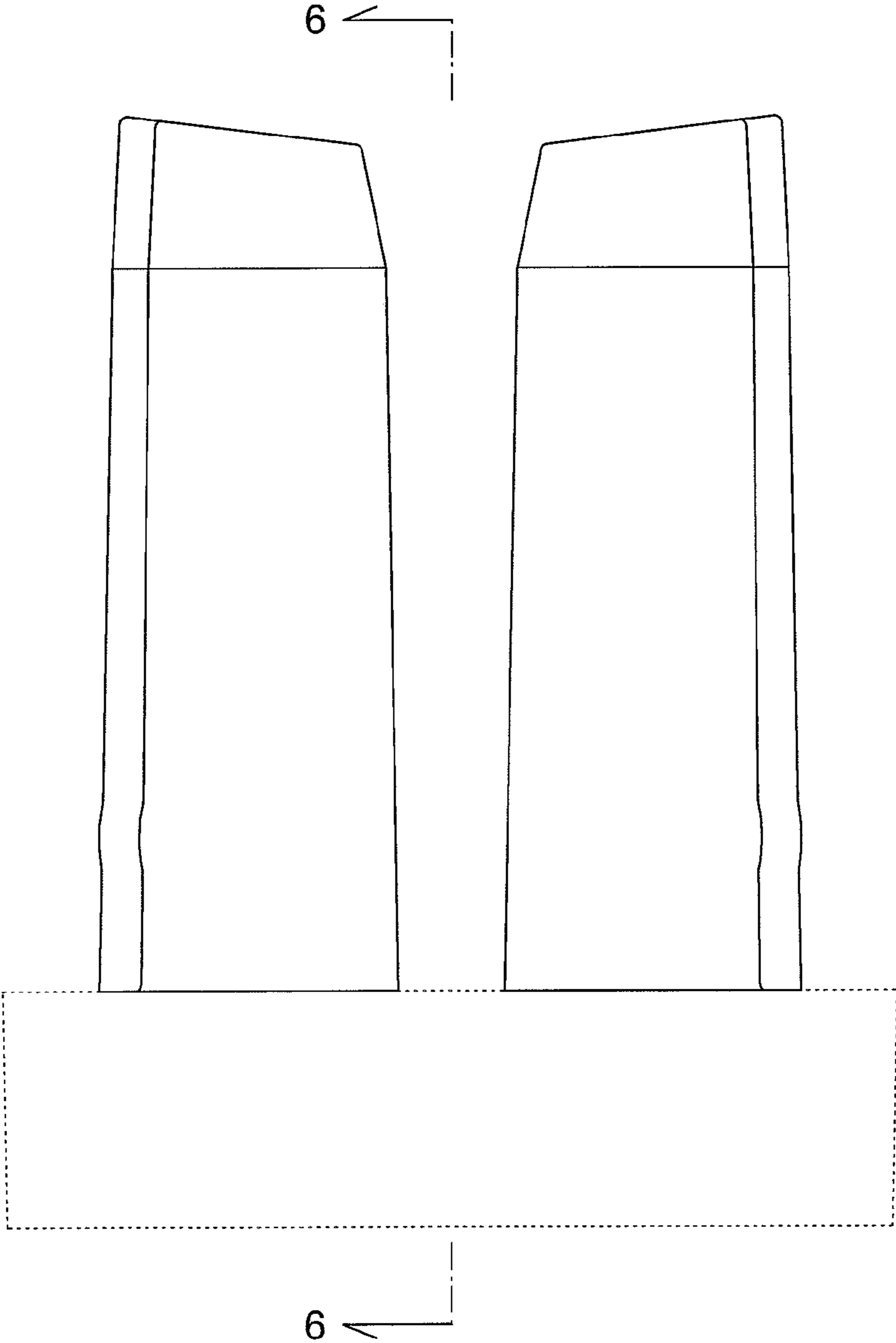


Fig.2

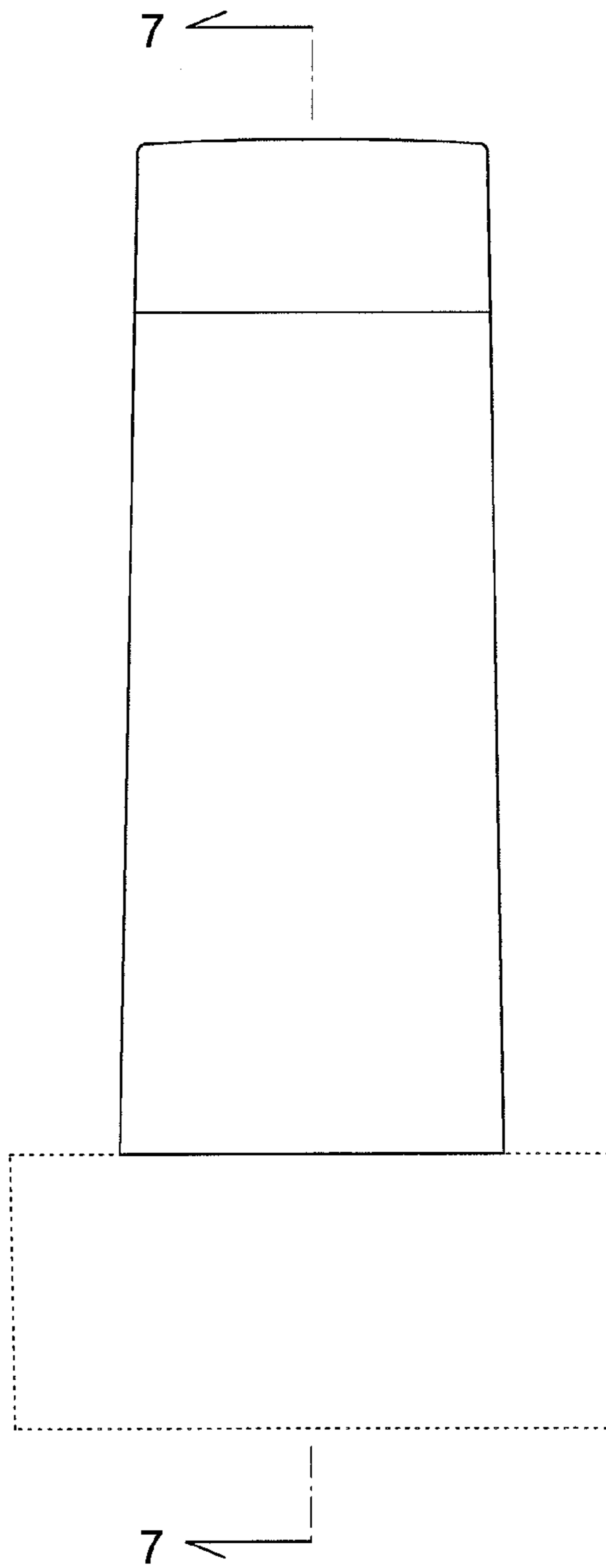


Fig.3

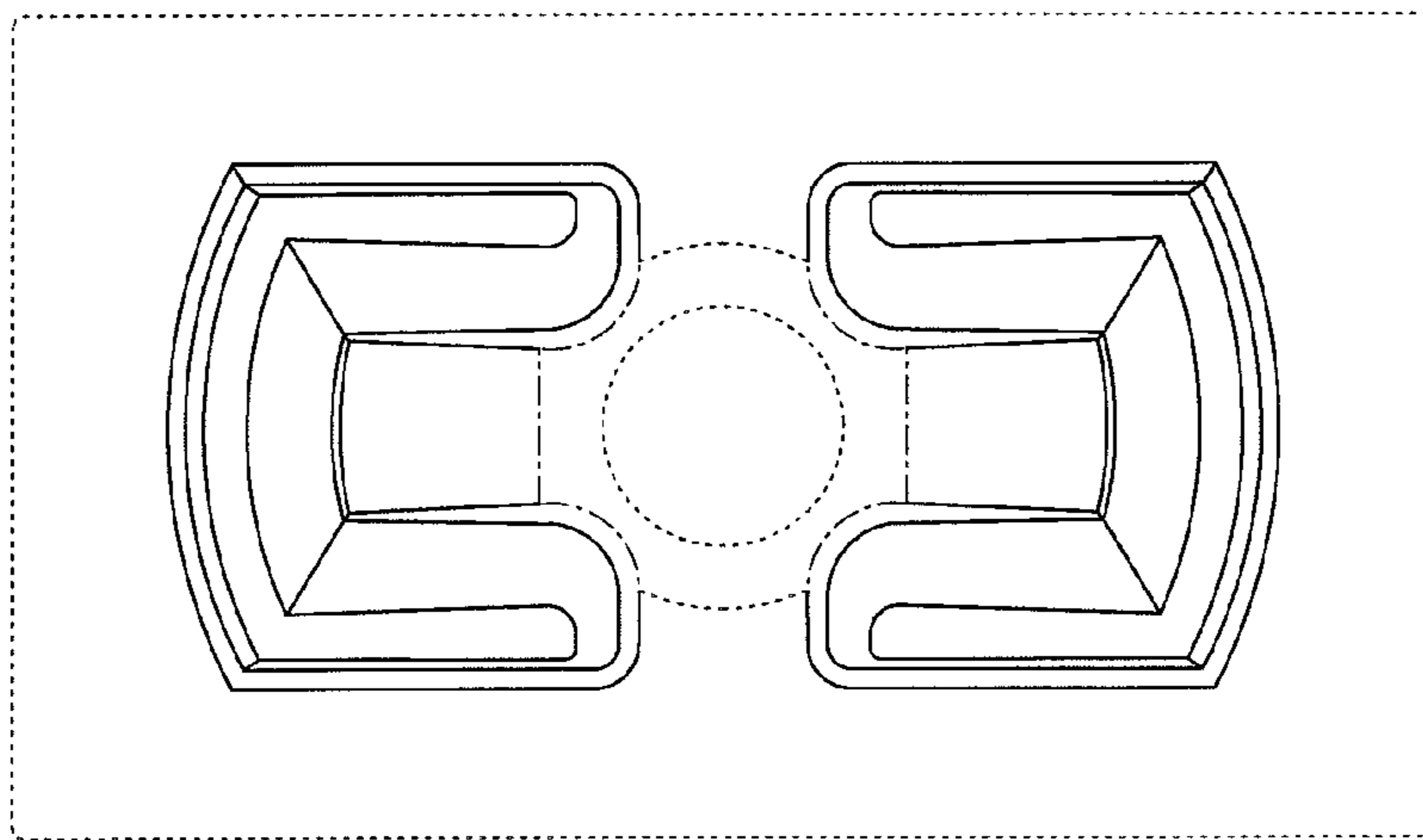


Fig.4

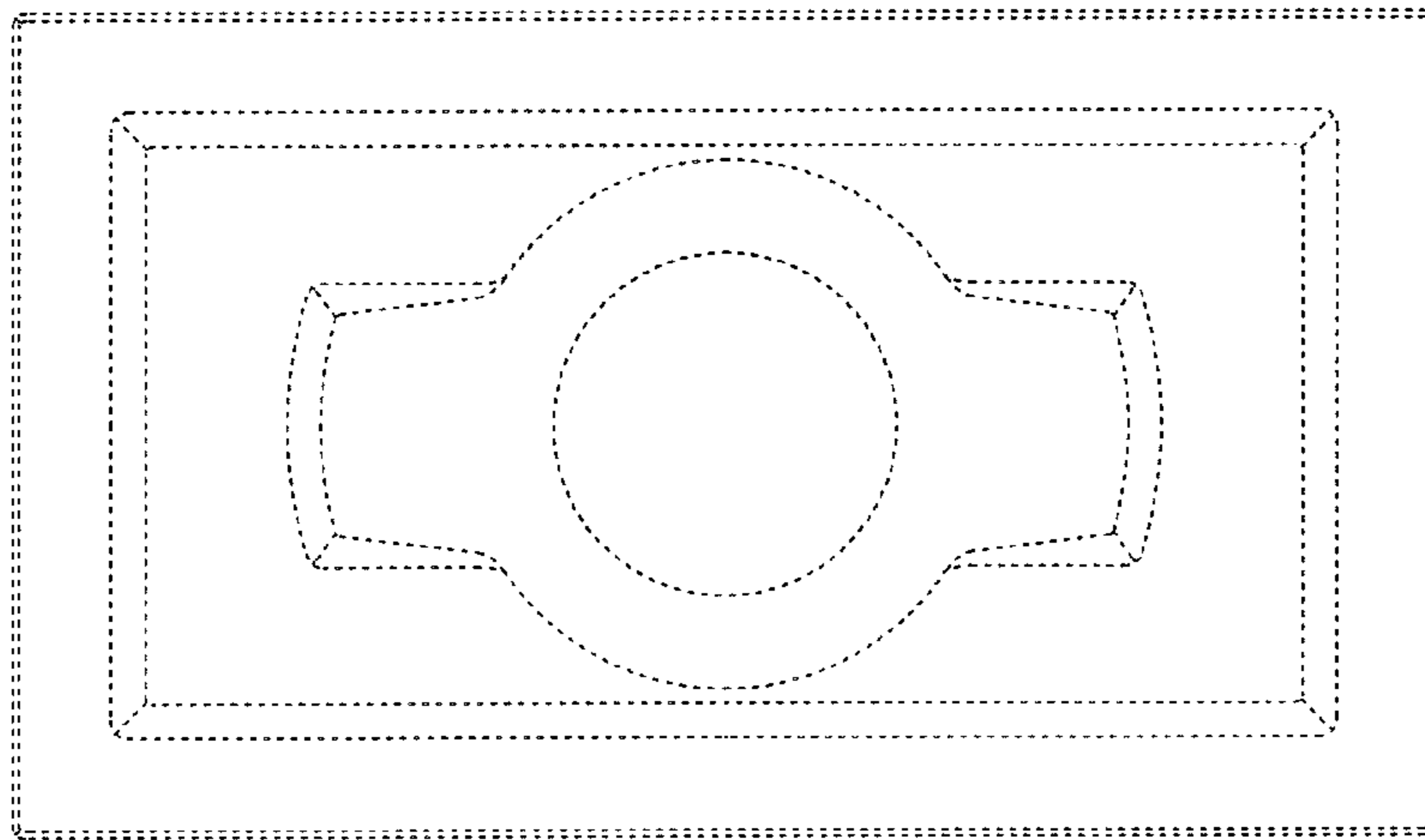


Fig.5

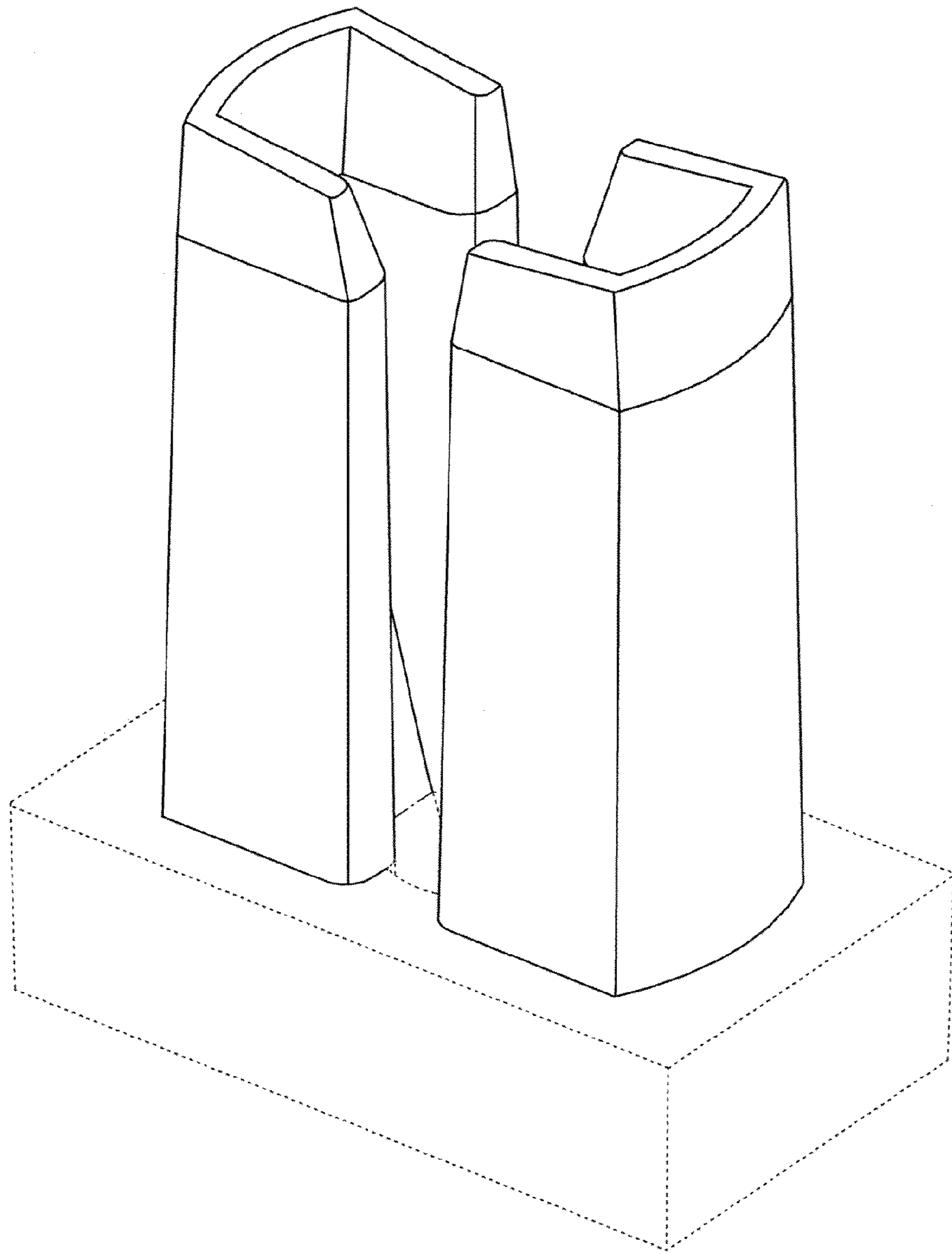


Fig.6

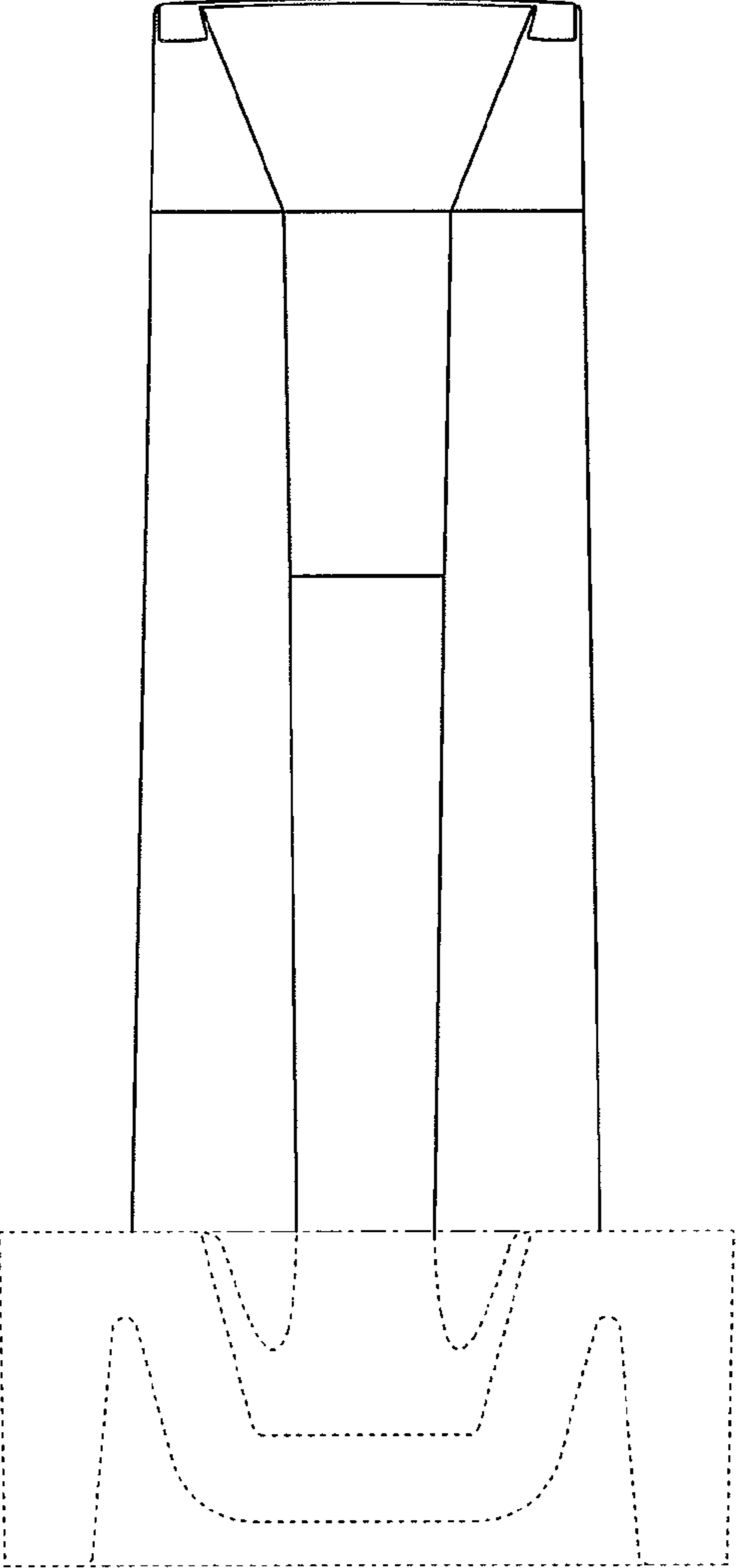


Fig.7

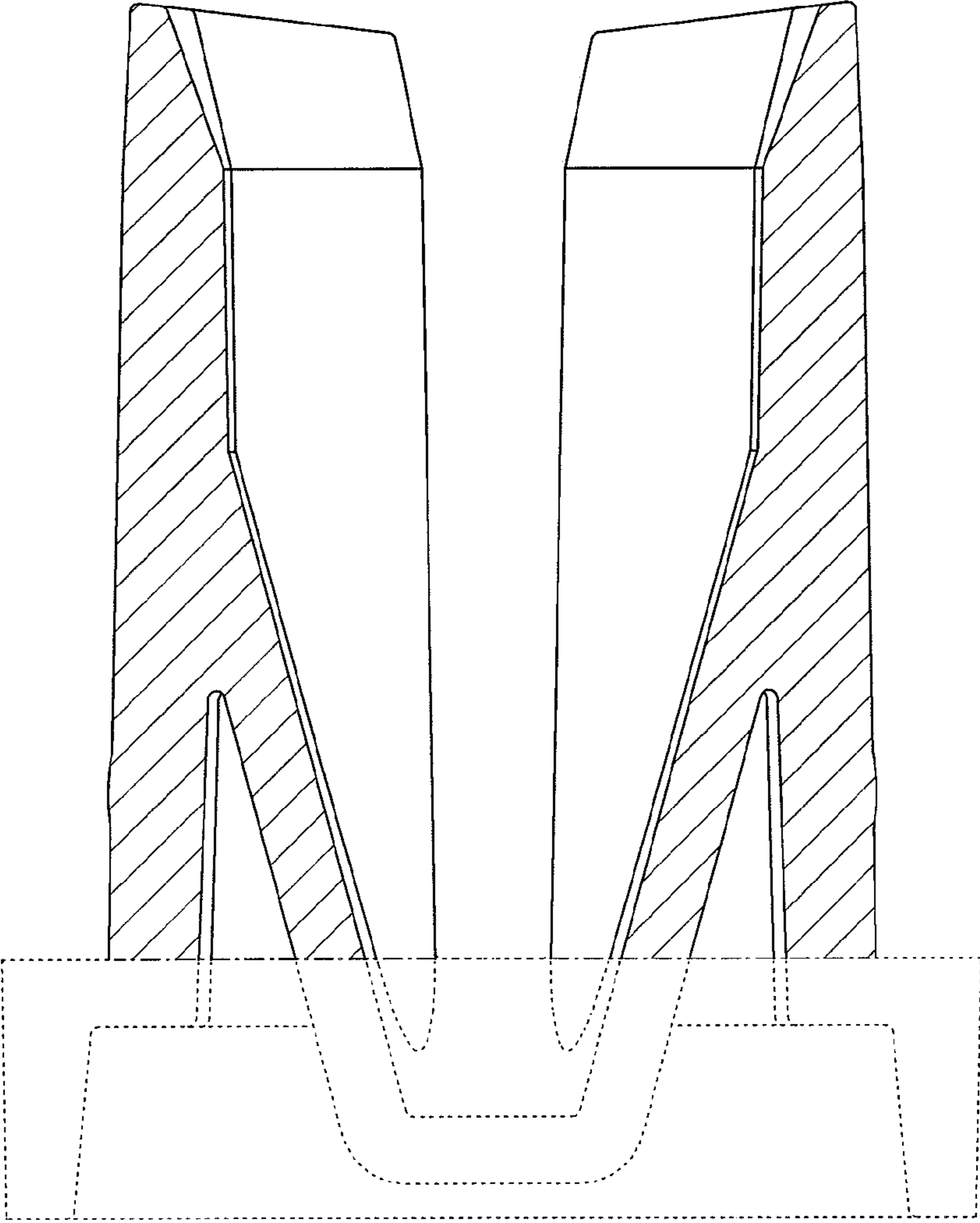




Fig.8

