



US00D704831S

(12) **United States Design Patent**
Buck et al.

(10) **Patent No.:** **US D704,831 S**
(45) **Date of Patent:** **** May 13, 2014**

(54) **HOLDER FOR INTRAOCULAR LENS**

2011/0245840 A1 10/2011 Seyboth et al.

(71) Applicant: **Santen Pharmaceutical Co., Ltd.**,
Osaka (JP)

* cited by examiner

(72) Inventors: **Jensen Buck**, Goleta, CA (US);
Manthan Patel, Goleta, CA (US);
Carolyn Finney, Goleta, CA (US);
Anand Doraiswamy, Goleta, CA (US)

Primary Examiner — Wan Laymon

(74) *Attorney, Agent, or Firm* — Whyte Hirschboeck Dudek
S.C.; Grady J. Frenchick

(73) Assignee: **Santen Pharmaceutical Co., Ltd.**,
Osaka (JP)

(57) **CLAIM**

The ornamental design for a holder for intraocular lens, as
shown and described.

(**) Term: **14 Years**

DESCRIPTION

(21) Appl. No.: **29/438,506**

FIG. 1 is a front view of a holder for intraocular lens showing
our new design;

(22) Filed: **Nov. 30, 2012**

FIG. 2 is a right side view thereof;

(51) **LOC (10) Cl.** **24-03**

FIG. 3 is a top plan view thereof;

(52) **U.S. Cl.**

USPC **D24/128; D24/157**

FIG. 4 is a bottom view thereof;

(58) **Field of Classification Search**

USPC D24/150, 128, 157, 172, 184, 121, 161,
D24/199, 218; D3/203.1, 201, 203.3, 203.7,
D3/212; 606/107; 206/436, 5.1; 604/294;
D1/103, 105; D9/455-456

FIG. 5 is a perspective view thereof;

FIG. 6 is a sectional view thereof taken on line 6-6 of FIG. 1;

FIG. 7 is a sectional view thereof taken on line 7-7 of FIG. 2;

FIG. 8 is a reference top plan view thereof including a grayish
portion;

FIG. 9 is a reference perspective view thereof including a
grayish portion; and,

FIG. 10 is a reference perspective view thereof showing a
condition in use.

See application file for complete search history.

The broken line showings of FIGS. 1-10 are environmental
only and not part of the claimed design.

The dashed-dotted line showings of FIGS. 3, 5-10 illustrate a
boundary between the claimed design and environmental fea-
tures and form no part of the claimed design.

In the reference top plan view and the reference perspective
view including a grayish portion, the grayish portion is a
portion for which a partial design protection is sought.

A rear view and a left side view are omitted because the rear
view is identical to the front view and the left side view is
identical to the right side view.

(56) **References Cited**

U.S. PATENT DOCUMENTS

4,619,657	A *	10/1986	Keates et al.	606/107
5,281,227	A *	1/1994	Sussman	606/107
6,129,733	A *	10/2000	Brady et al.	606/107
D434,558	S *	12/2000	Brady et al.	D3/203.1
7,281,699	B2 *	10/2007	Hovey et al.	206/5.1
2006/0037871	A1 *	2/2006	Jin et al.	206/5.1
2008/0051801	A1 *	2/2008	Hovey et al.	606/107
2011/0144654	A1 *	6/2011	Isaacs et al.	606/107

1 Claim, 10 Drawing Sheets

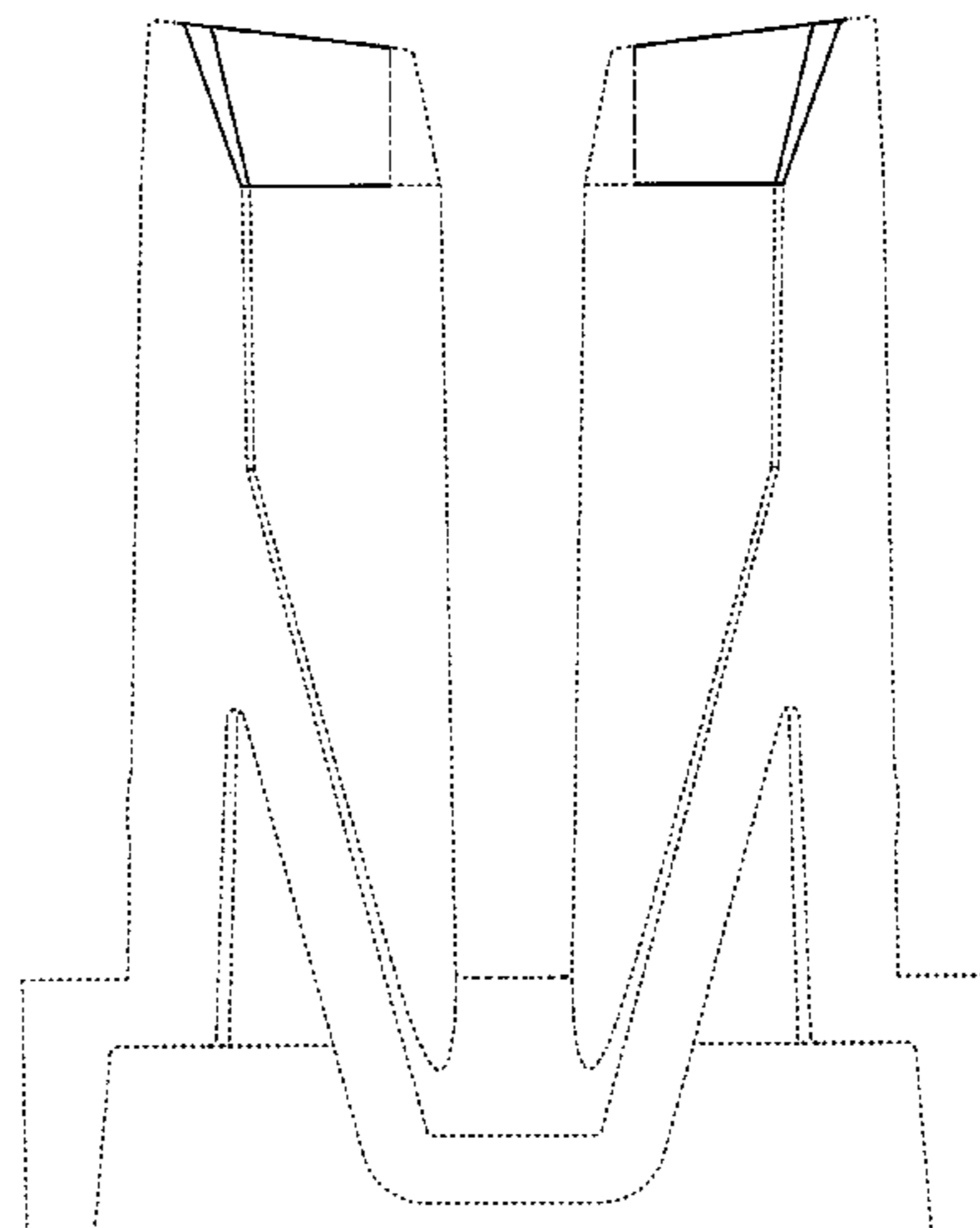
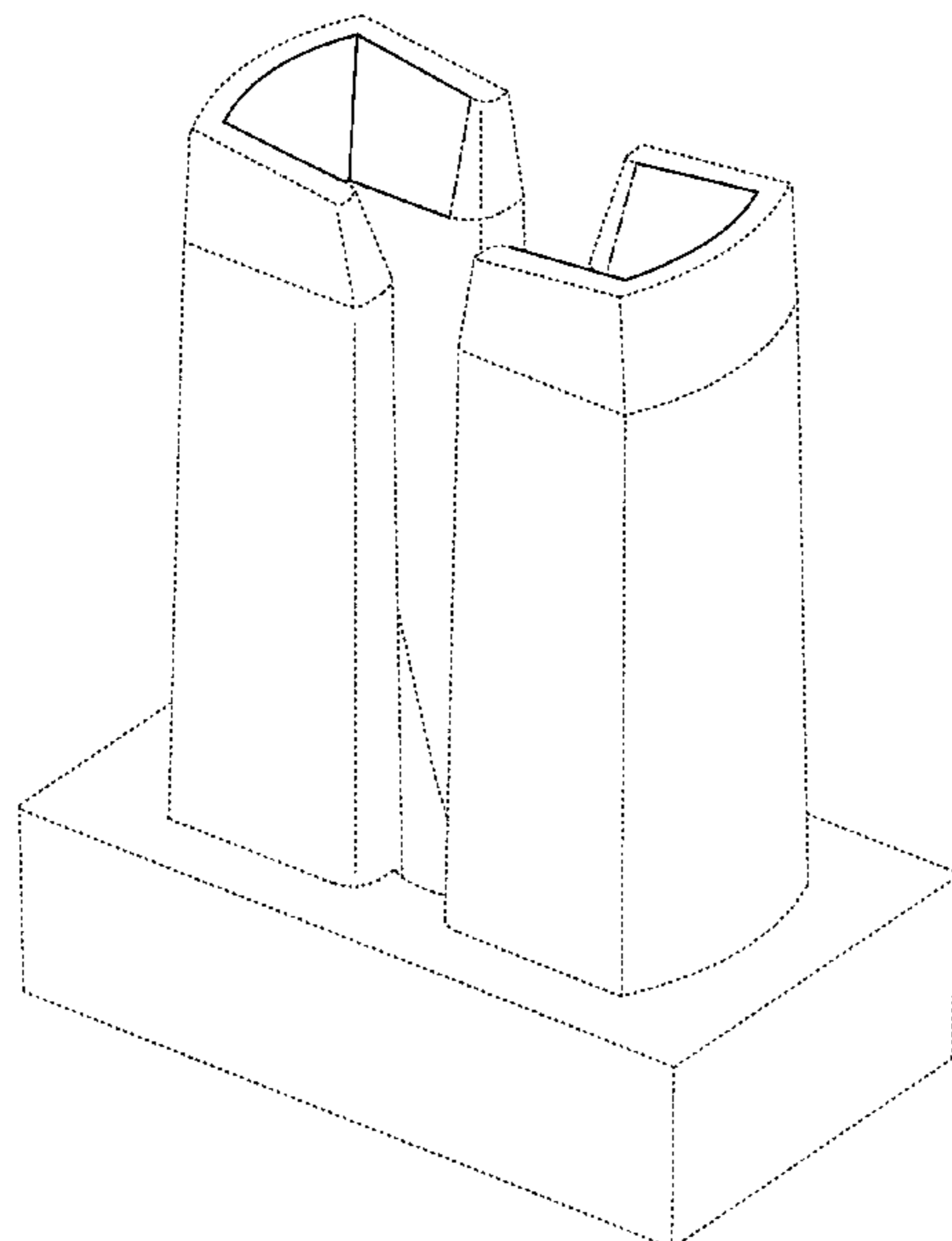


Fig.1

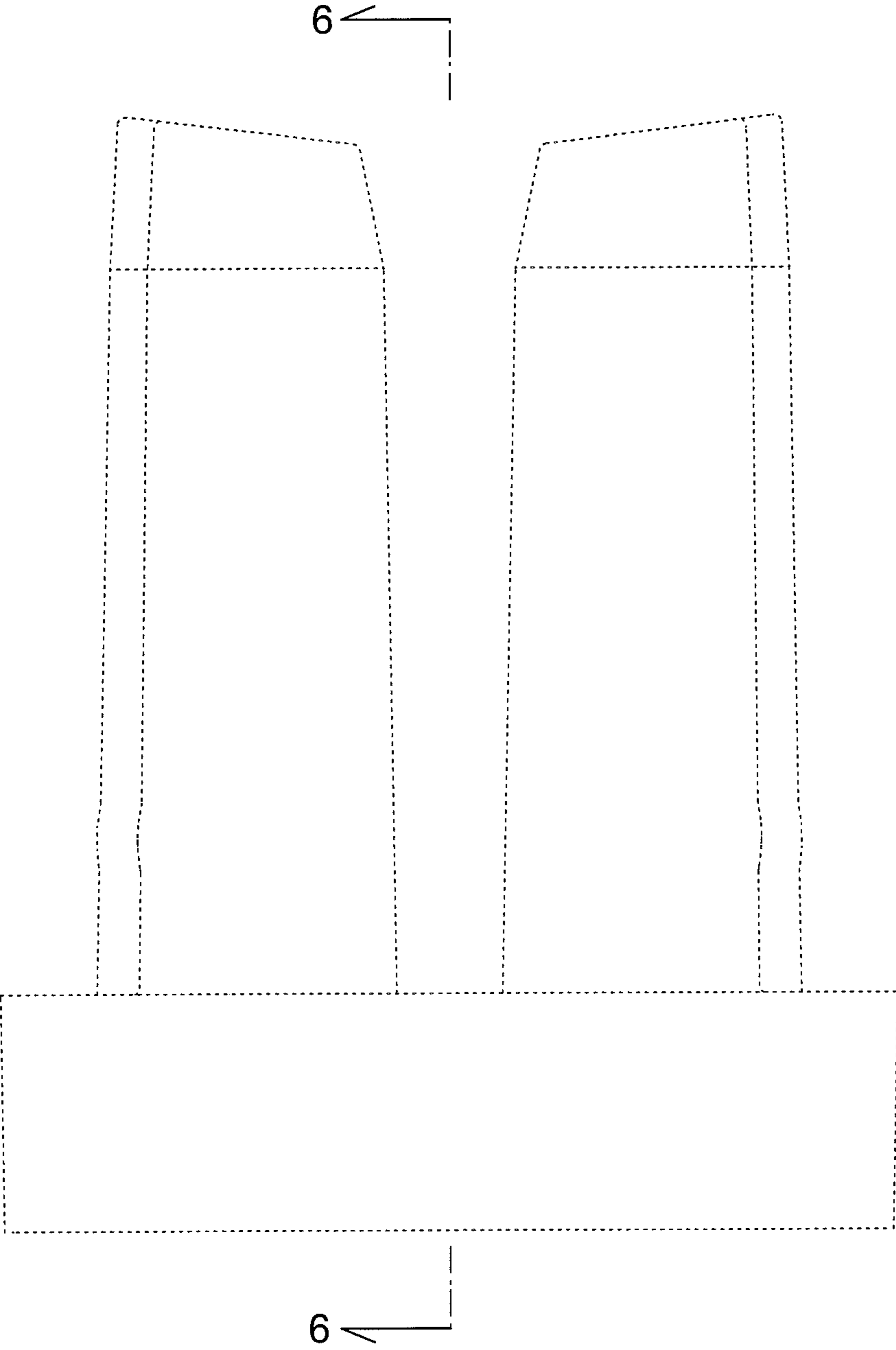


Fig.2

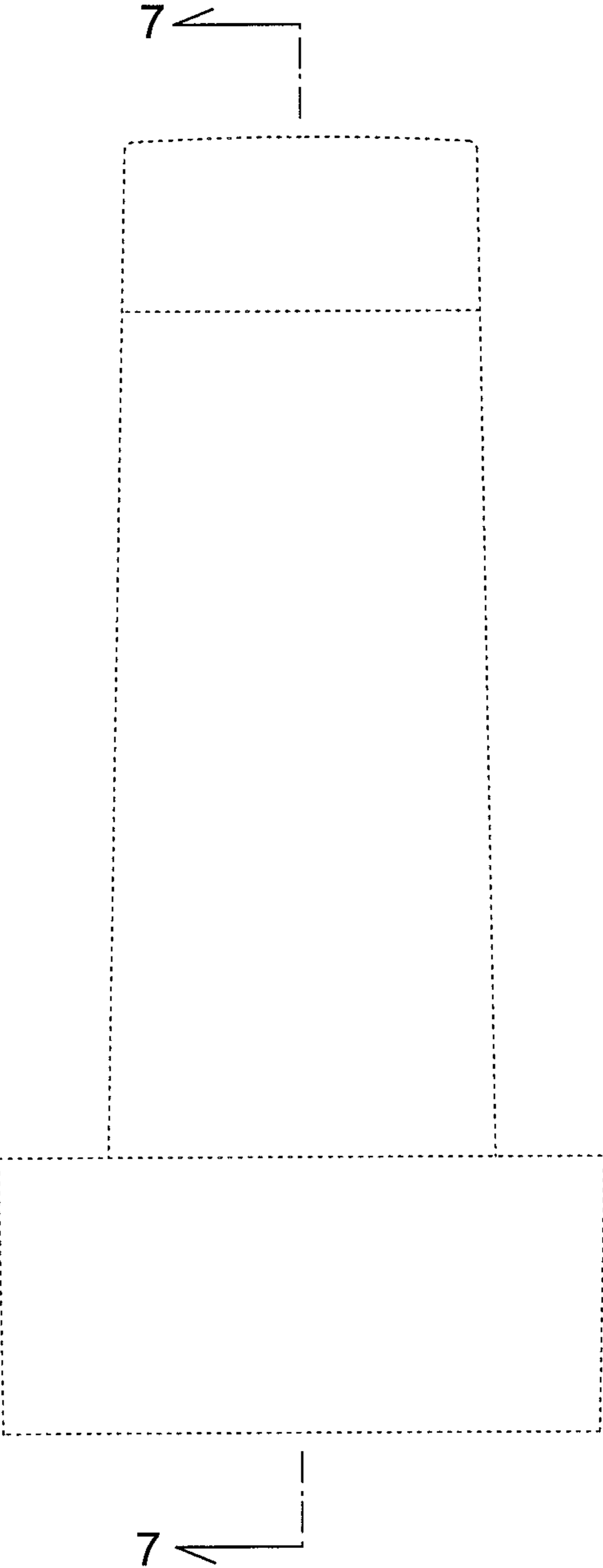


Fig.3

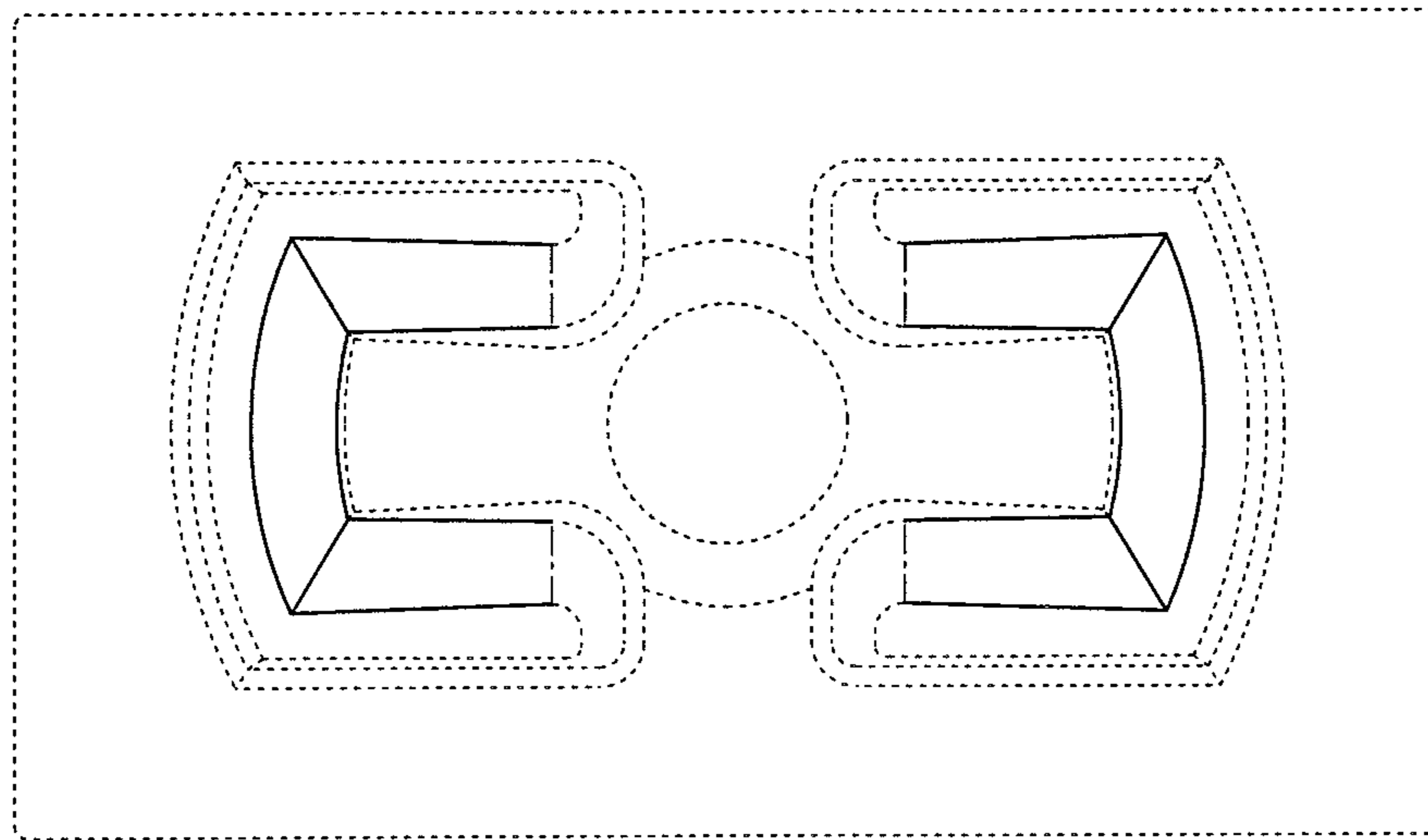


Fig.4

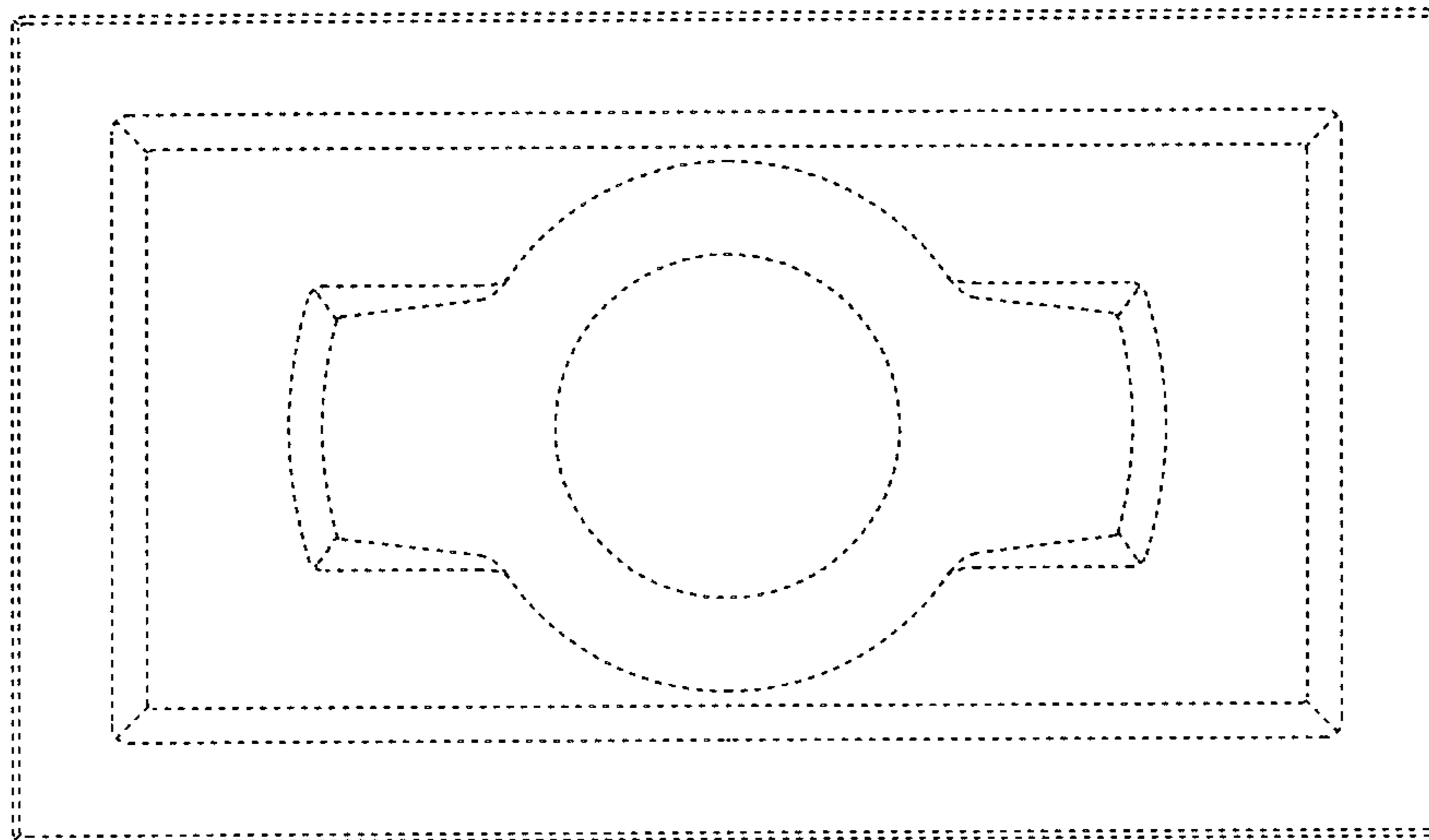


Fig.5

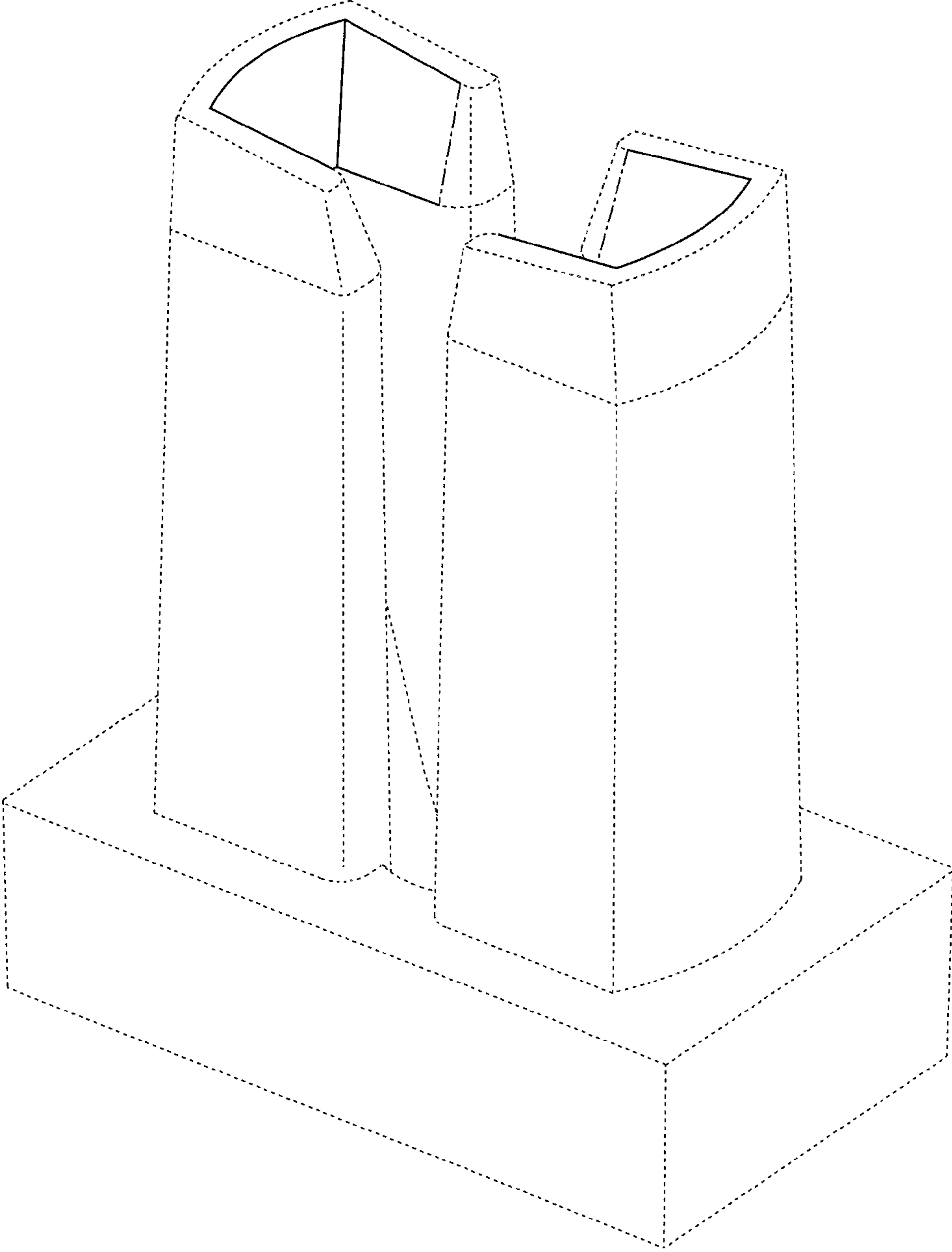


Fig.6

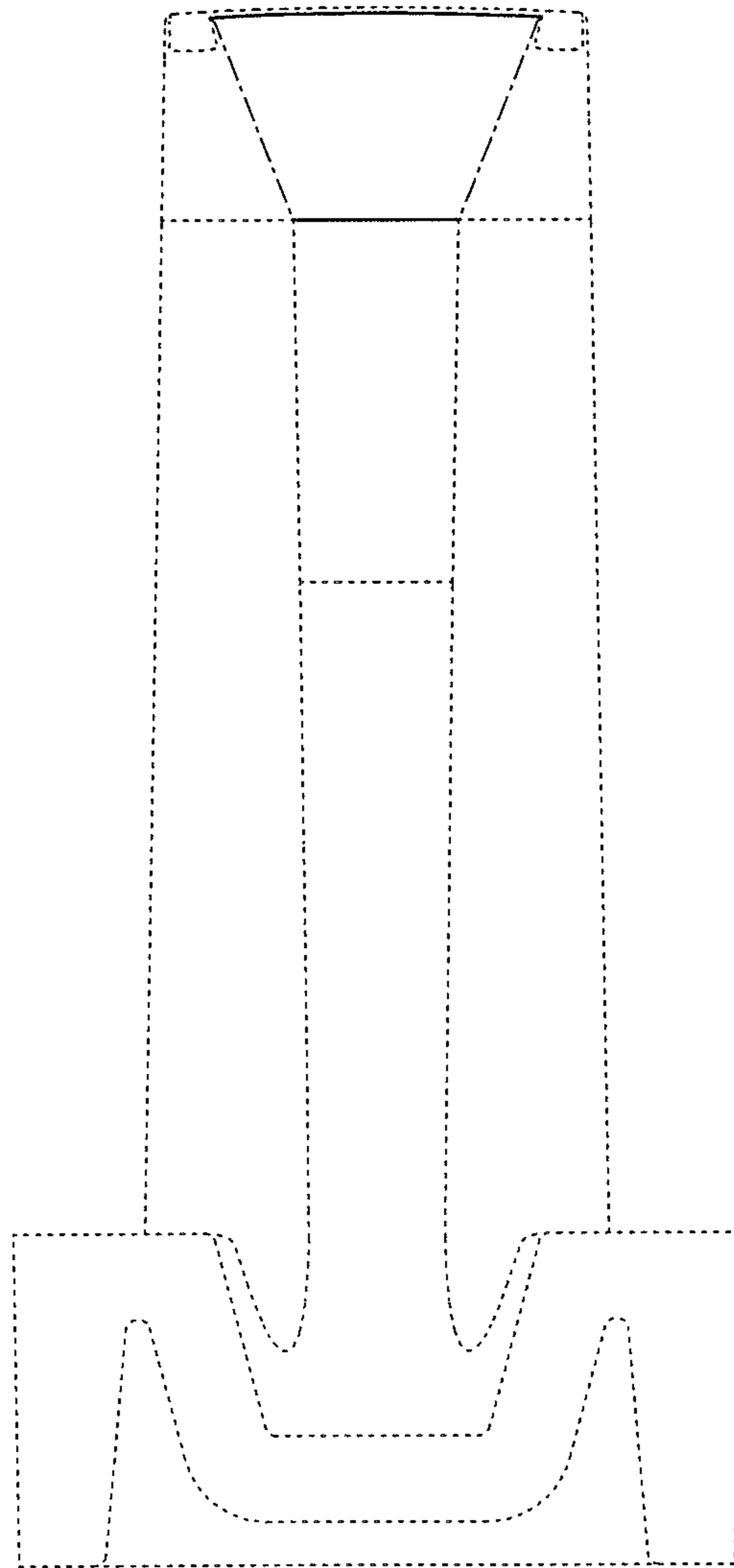


Fig.7

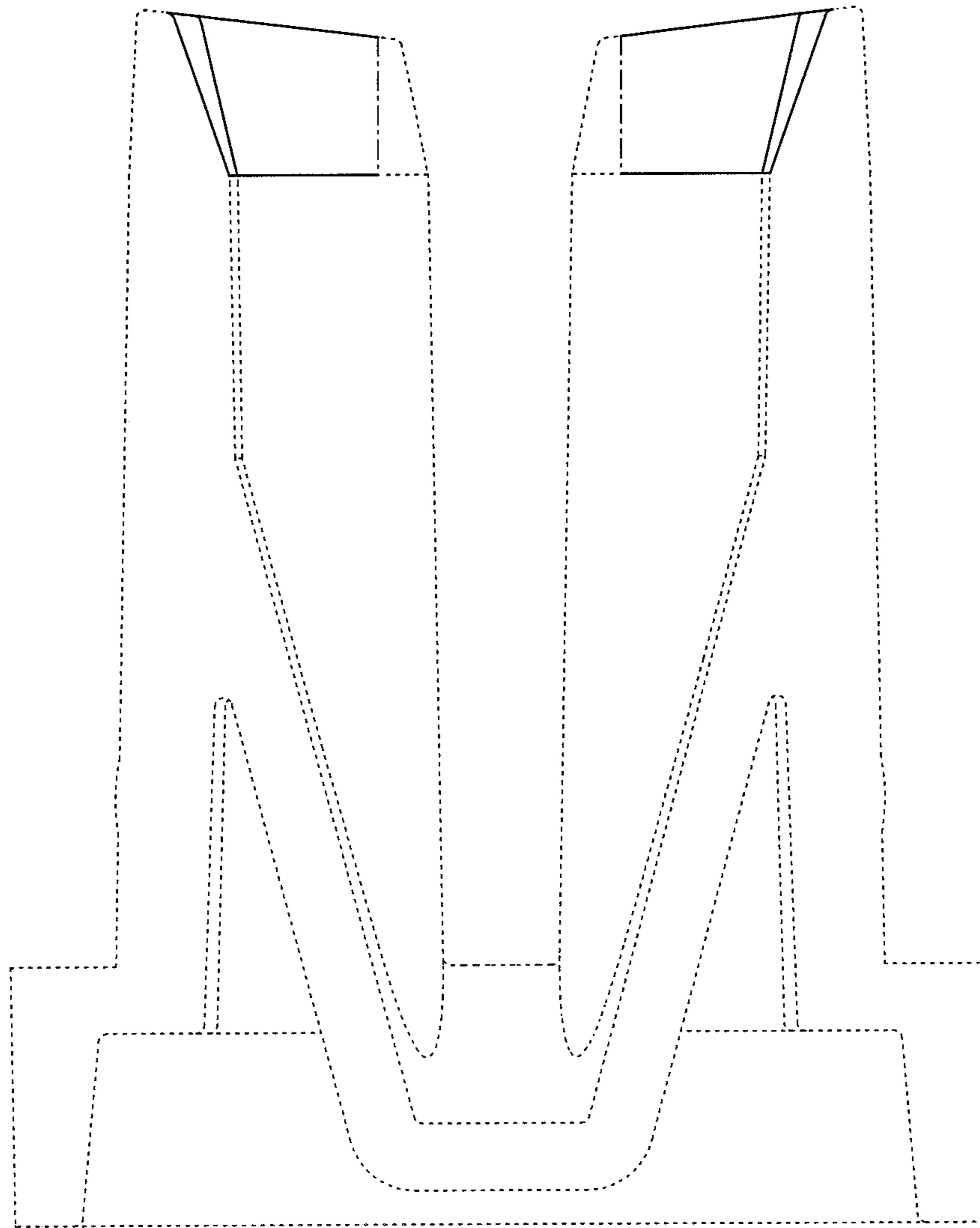


Fig.8

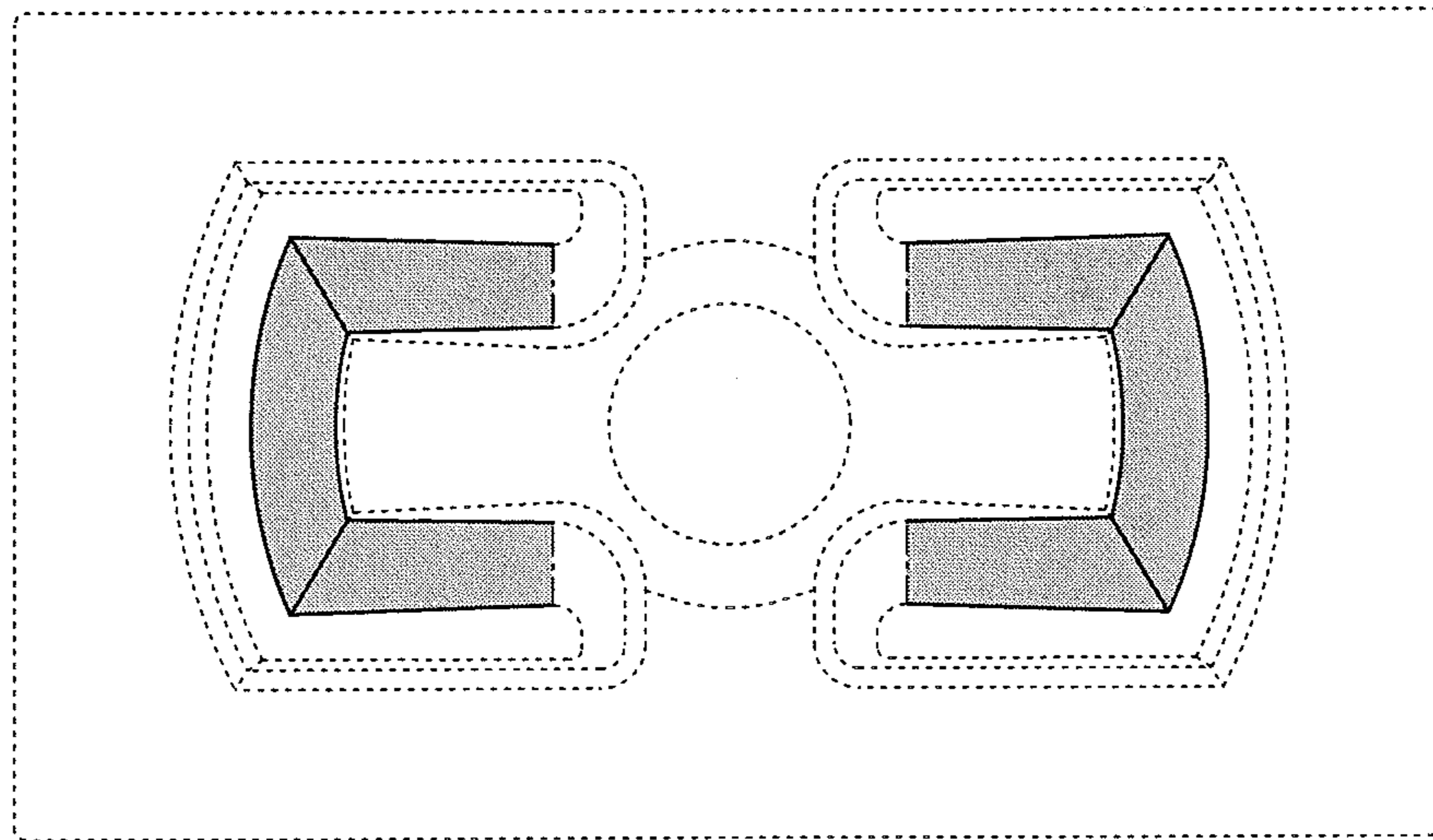


Fig.9

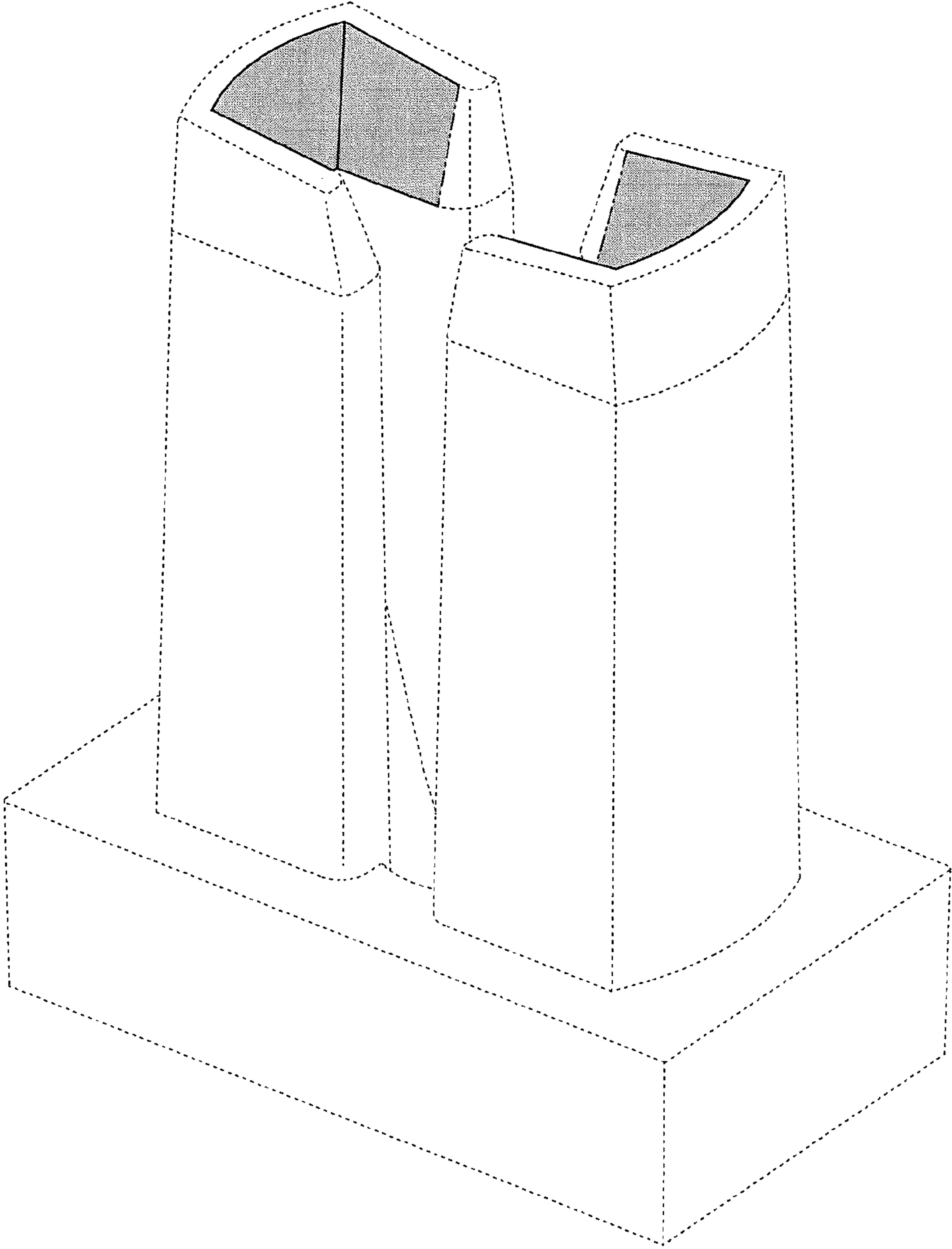


Fig.10

