



US00D704830S

(12) **United States Design Patent**  
**Buck et al.**

(10) **Patent No.:** **US D704,830 S**  
(45) **Date of Patent:** **\*\* May 13, 2014**

(54) **HOLDER FOR INTRAOCULAR LENS**

(71) Applicant: **Santen Pharmaceutical Co., Ltd.**,  
Osaka (JP)

(72) Inventors: **Jensen Buck**, Goleta, CA (US);  
**Manthan Patel**, Goleta, CA (US);  
**Carolyn Finney**, Goleta, CA (US);  
**Anand Doraiswamy**, Goleta, CA (US)

(73) Assignee: **Santen Pharmaceutical Co., Ltd.**,  
Osaka (JP)

(\*\*) Term: **14 Years**

(21) Appl. No.: **29/438,503**

(22) Filed: **Nov. 30, 2012**

(51) **LOC (10) Cl.** ..... **24-03**

(52) **U.S. Cl.**  
USPC ..... **D24/128; D24/157**

(58) **Field of Classification Search**  
USPC ..... D24/150, 128, 157, 172, 184;  
D3/203.1, 201, 203.3, 203.7; 606/107;  
206/436, 5.1; 604/294  
See application file for complete search history.

(56) **References Cited**

**U.S. PATENT DOCUMENTS**

4,619,657 A \* 10/1986 Keates et al. .... 606/107  
5,281,227 A \* 1/1994 Sussman ..... 606/107  
6,129,733 A \* 10/2000 Brady et al. .... 606/107

D434,558 S \* 12/2000 Brady et al. .... D3/203.1  
7,281,699 B2 \* 10/2007 Hovey et al. .... 206/5.1  
2006/0037871 A1 \* 2/2006 Jin et al. .... 206/5.1  
2008/0051801 A1 \* 2/2008 Hovey et al. .... 606/107  
2011/0144654 A1 \* 6/2011 Isaacs et al. .... 606/107  
2011/0245840 A1 10/2011 Seyboth et al.

\* cited by examiner

*Primary Examiner* — Wan Laymon

(74) *Attorney, Agent, or Firm* — Whyte Hirschboeck Dudek  
S.C.; Grady J. Frenchick

(57) **CLAIM**

The ornamental design for a holder for intraocular lens, as  
shown and described.

**DESCRIPTION**

FIG. 1 is a front view of a holder for intraocular lens showing  
our new design;  
FIG. 2 is a right side view thereof;  
FIG. 3 is a top plan view thereof;  
FIG. 4 is a bottom view thereof;  
FIG. 5 is a perspective view thereof;  
FIG. 6 is a sectional view thereof taken on line 6-6 of FIG. 1;  
FIG. 7 is a sectional view thereof taken on line 7-7 of FIG. 2;  
and,  
FIG. 8 is a reference perspective view thereof showing a  
condition in use.

A rear view and a left side view are omitted because the rear  
view is identical to the front view and the left side view is  
identical to the right side view.

The broken lines in FIG. 8 are included for the purpose of  
illustrating a portion of the holder for intraocular lens that  
forms no part of the claimed design.

**1 Claim, 8 Drawing Sheets**

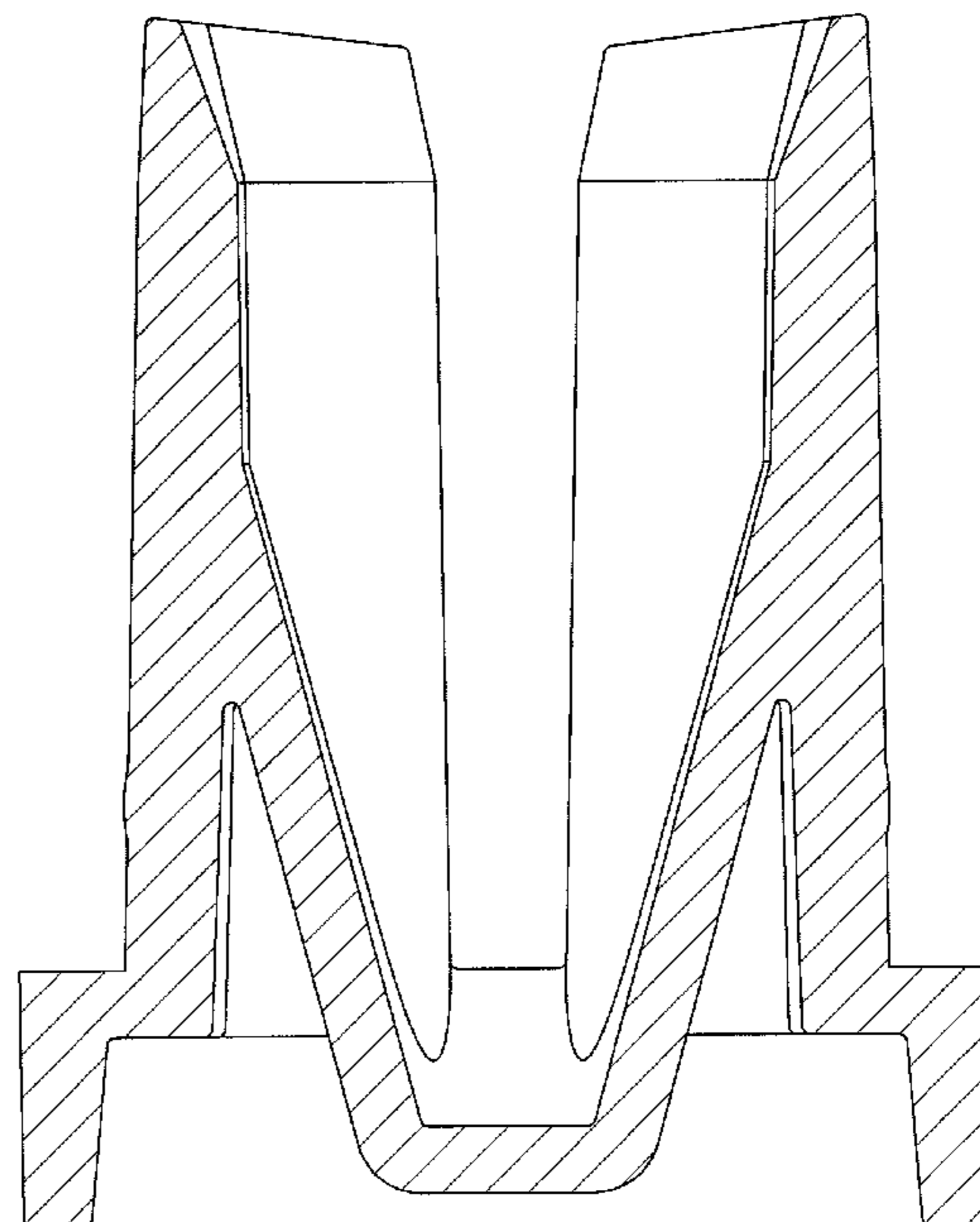
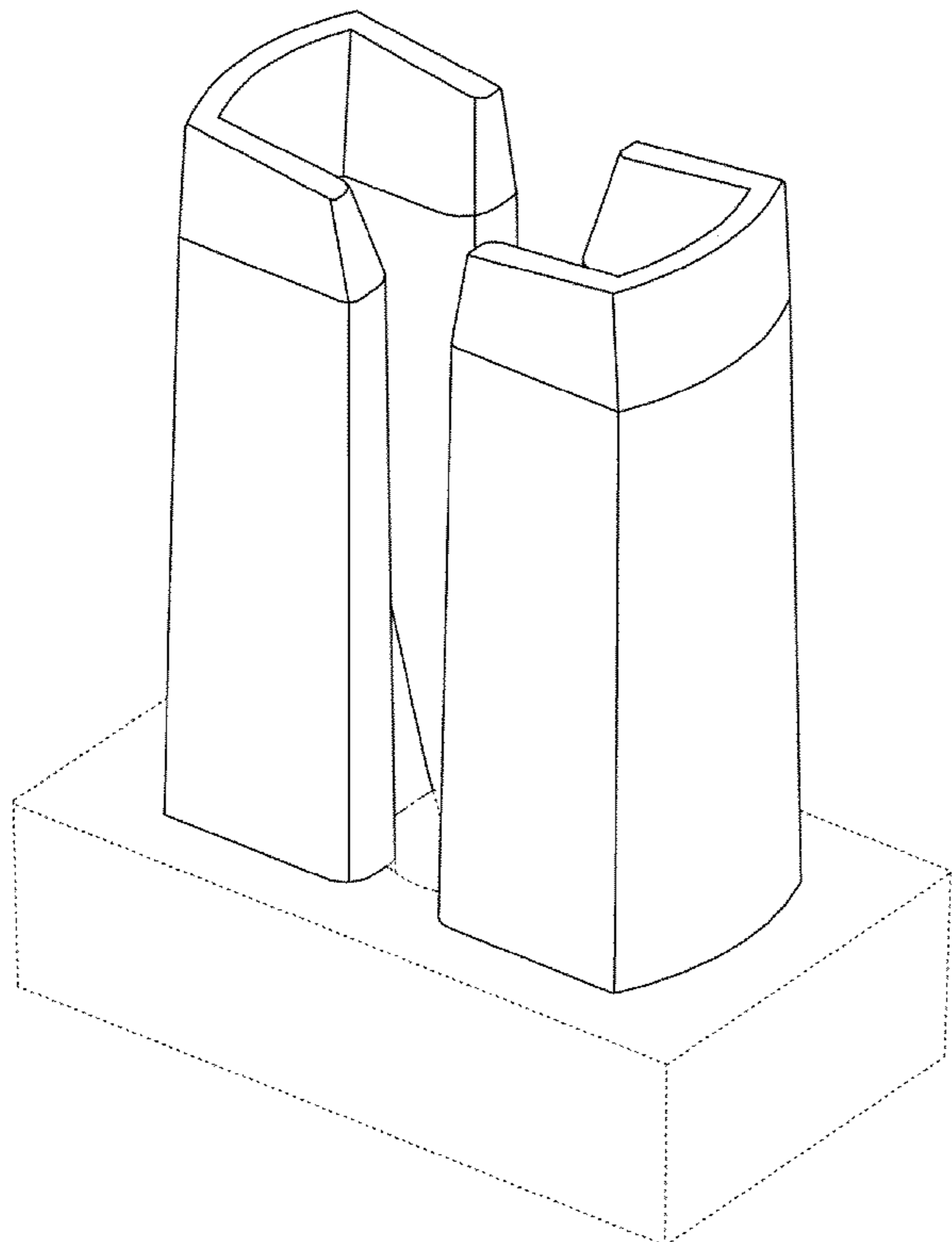


Fig.1

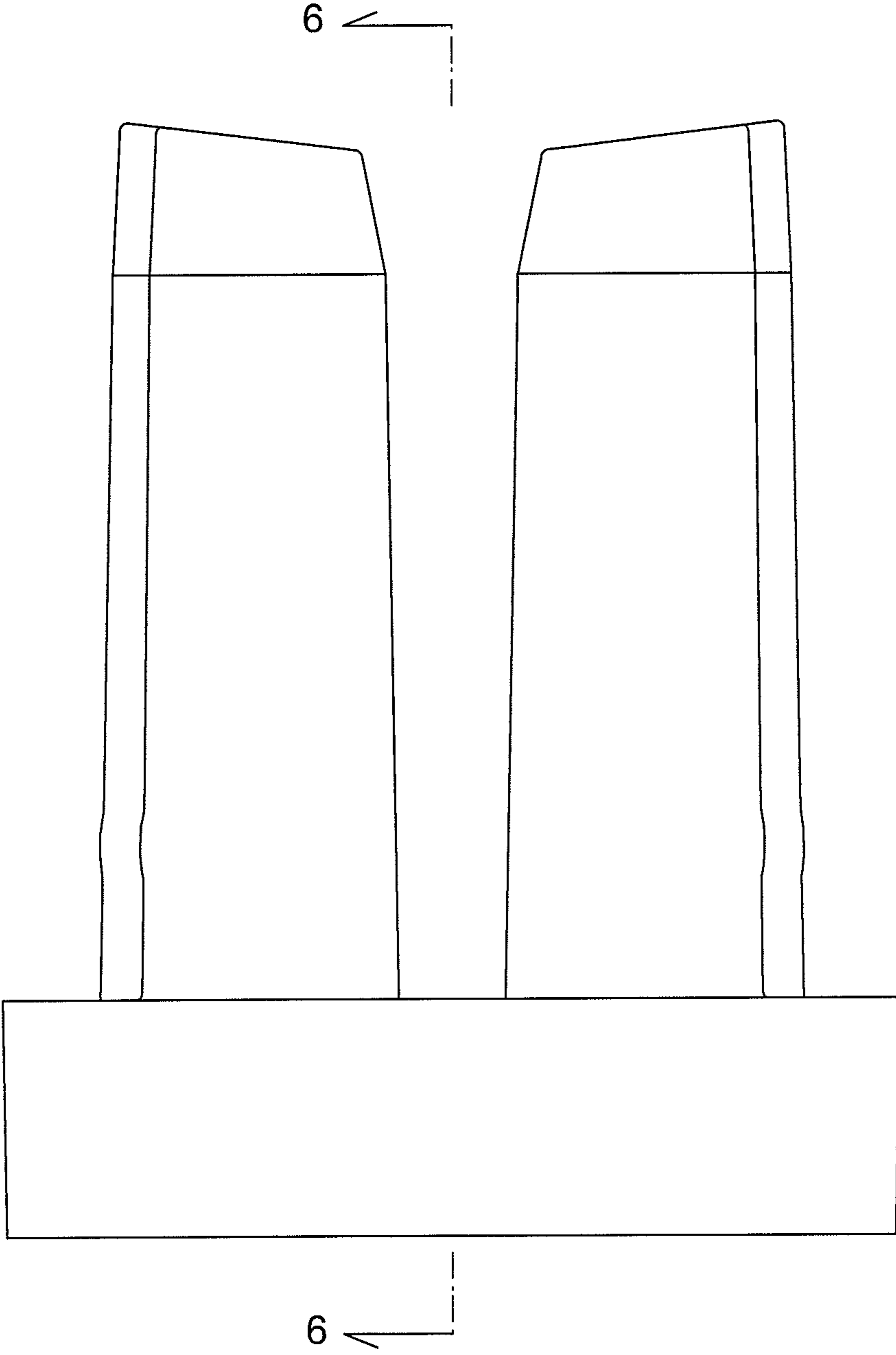


Fig.2

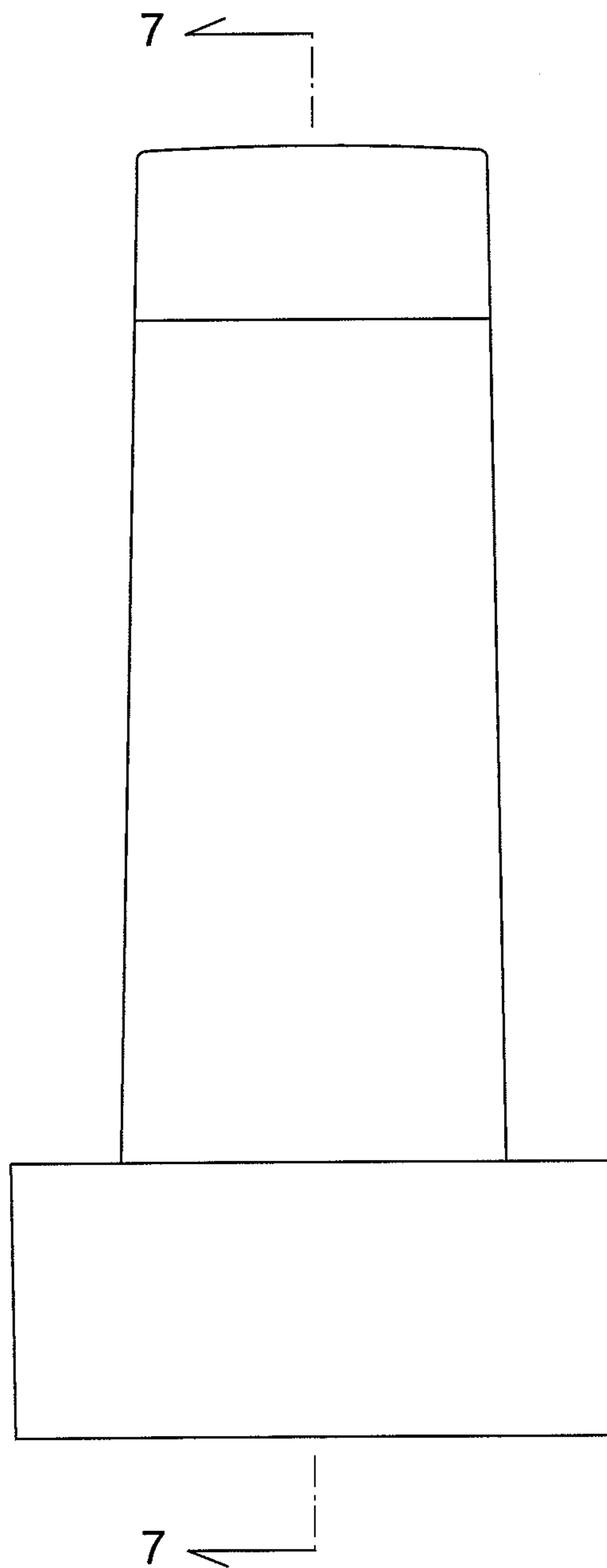


Fig.3

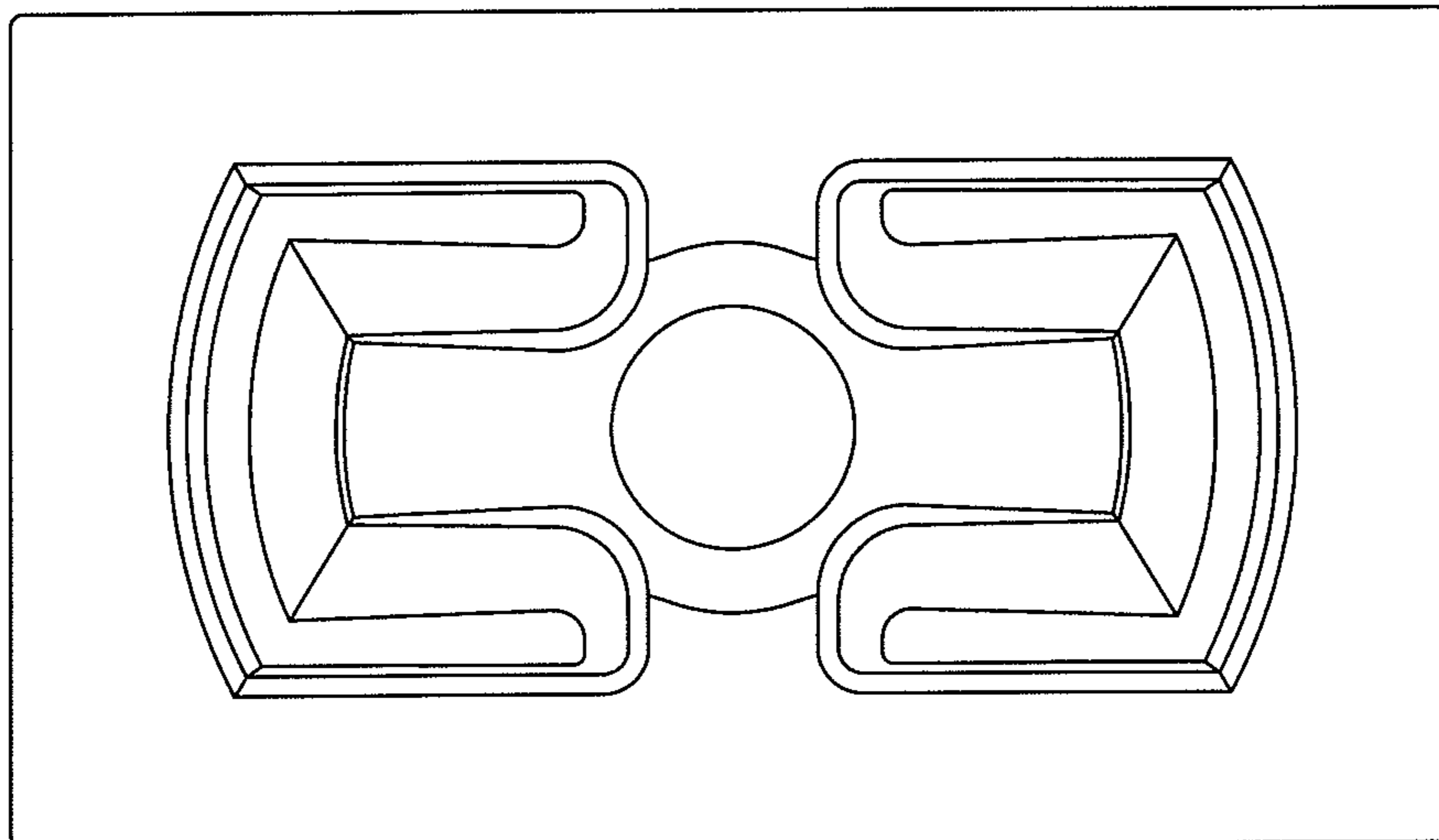


Fig.4

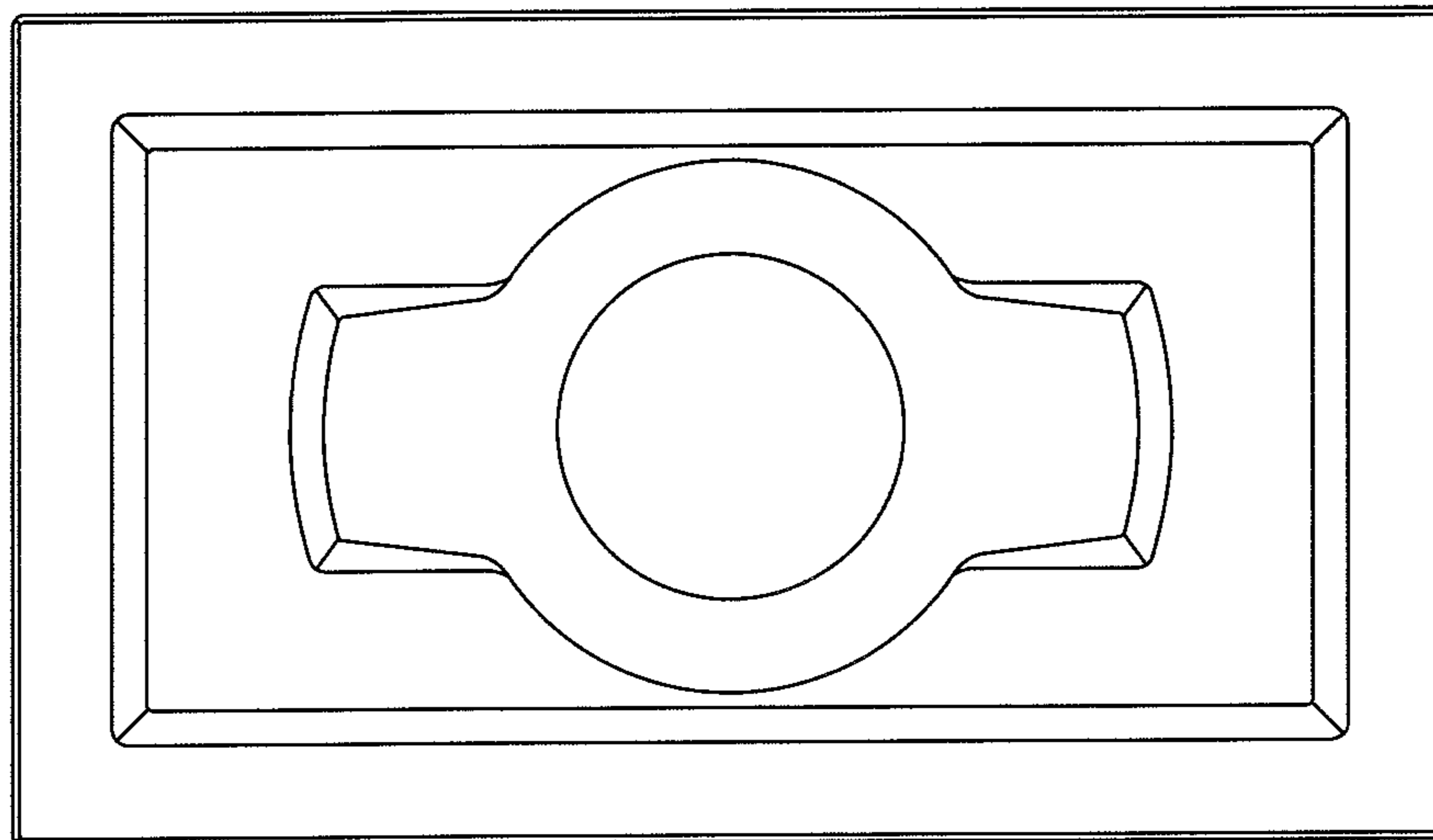


Fig.5

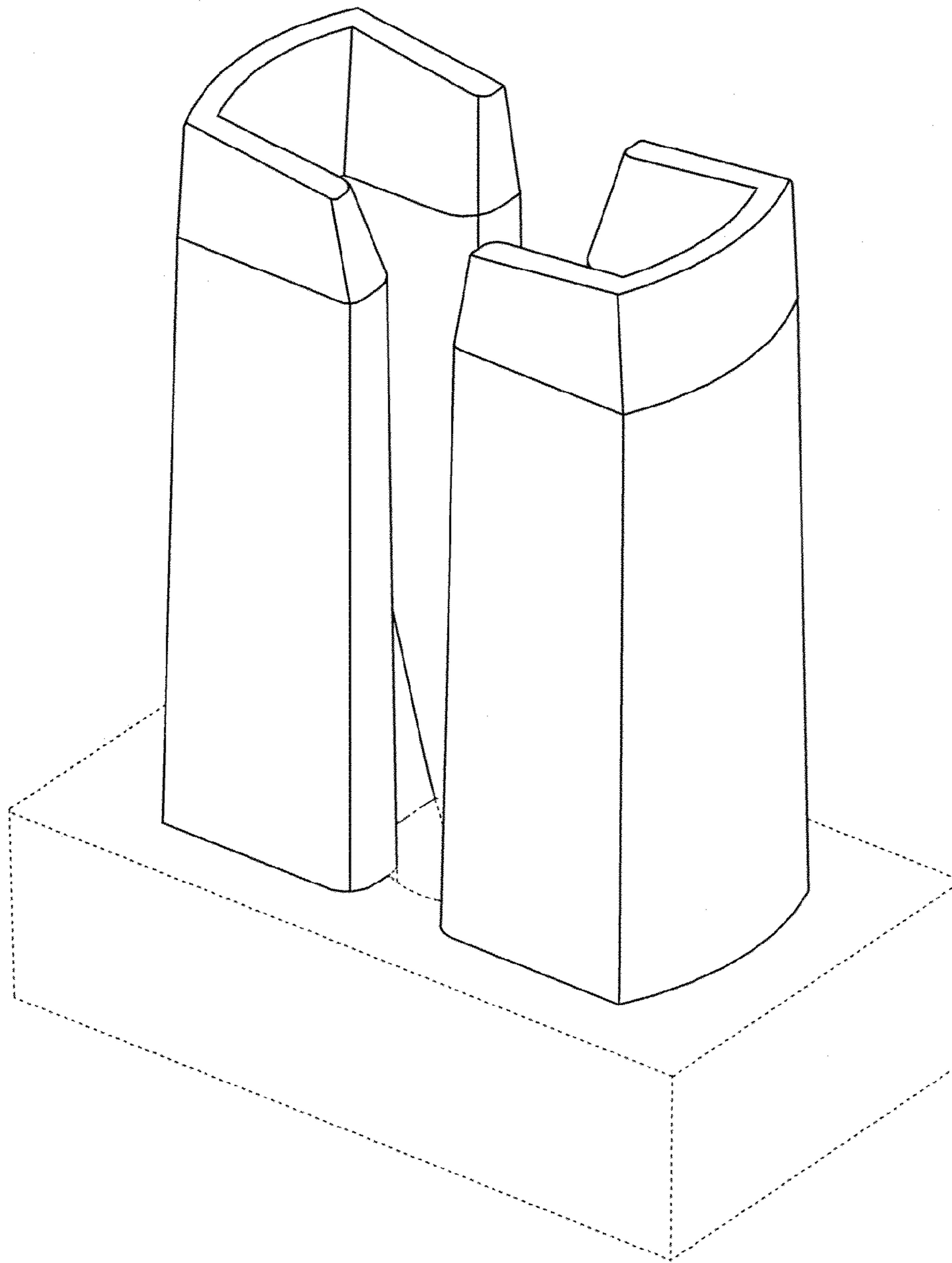


Fig.6

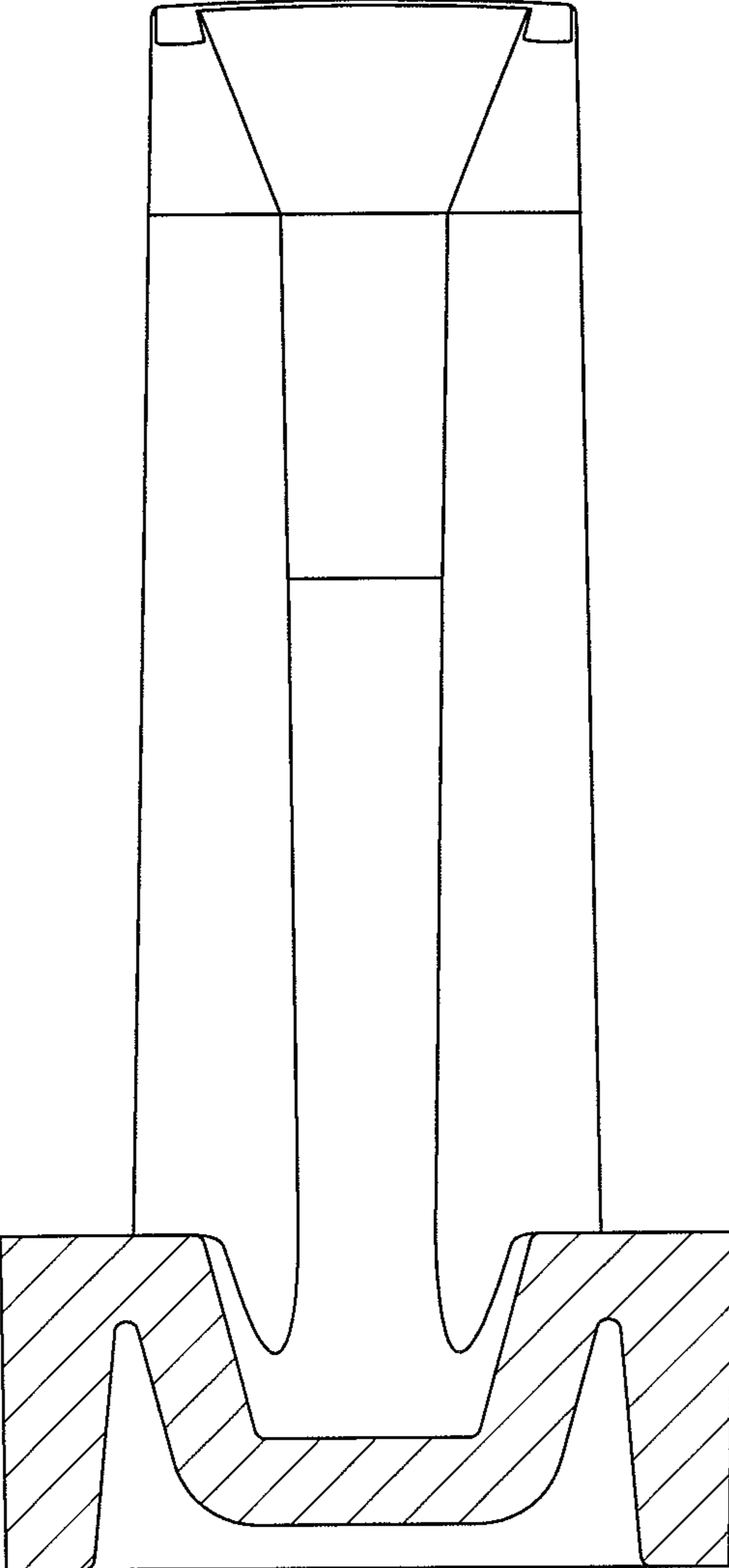


Fig.7

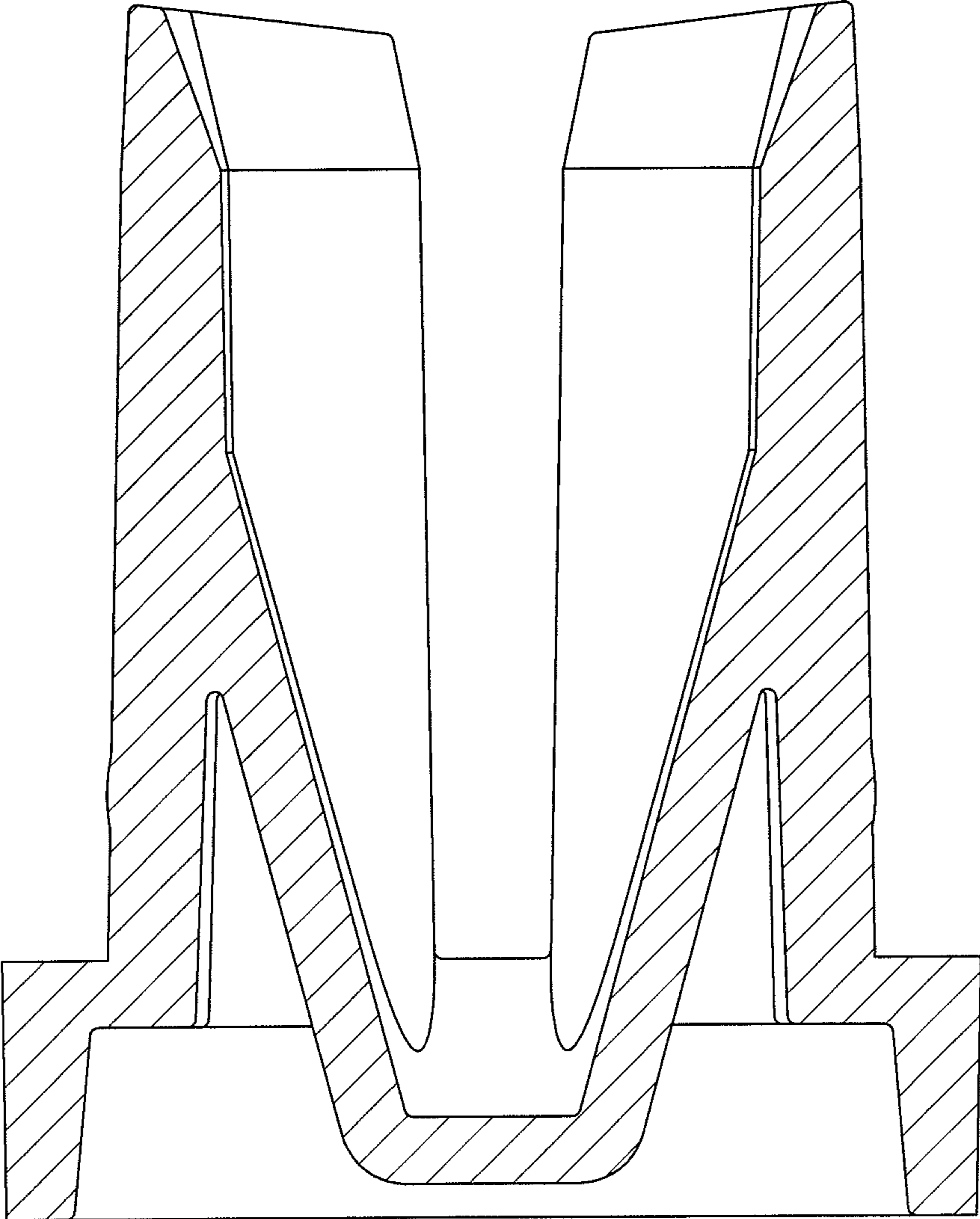




Fig.8

