



US00D704829S

(12) **United States Design Patent**
McAtamney et al.

(10) **Patent No.:** **US D704,829 S**
(45) **Date of Patent:** **** May 13, 2014**

(54) **PORTION OF A MEDICAL DEVICE HOUSING**

(75) Inventors: **Michael McAtamney**, Meath (IE);
Stephen Montgomery, Cavan (IE);
Alan S. Knieriem, Baldwinsville, NY
(US); **Thaddeus J. Wawro**, Auburn, NY
(US)

(73) Assignee: **Welch Allyn, Inc.**, Skaneateles Falls, NY
(US)

(**) Term: **14 Years**

(21) Appl. No.: **29/423,586**

(22) Filed: **Jun. 1, 2012**

(51) **LOC (10) Cl.** **24-02**

(52) **U.S. Cl.**
USPC **D24/128**

(58) **Field of Classification Search**
USPC D24/127-130, 112-114; 604/263, 264,
604/162, 268, 164.08, 174-180;
128/DIG. 26; D8/354, 356, 355, 394
See application file for complete search history.

(56) **References Cited**

U.S. PATENT DOCUMENTS

3,696,920	A *	10/1972	Lahay	128/DIG. 26
D336,131	S *	6/1993	Nordstrom et al.	D24/128
D342,440	S *	12/1993	Forsberg	D8/373
5,316,246	A *	5/1994	Scott et al.	D24/128
D392,142	S *	3/1998	Weisburn et al.	D6/567
D406,749	S *	3/1999	Selk	D8/356
D425,987	S *	5/2000	Goldstein et al.	D24/128
D452,135	S *	12/2001	Wyatt et al.	D8/354
6,458,104	B2 *	10/2002	Gautsche	604/179
D547,862	S *	7/2007	Dikeman et al.	D24/128
D630,317	S *	1/2011	Wung	D24/128
D657,460	S *	4/2012	Uhlenkamp et al.	D24/128
D657,869	S *	4/2012	Mammen	D24/128

OTHER PUBLICATIONS

WelchAllyn Products, 767 Integrated Wall Systems [online] [retrieved Apr. 13, 2012]. Retrieved from the Internet: <URL: http://www.welchallyn.com/apps/products/product_category.jsp?catcode=EENT&subcatcode=EENT-767>. 1 page.
(Untitled) Wall System, [online] [retrieved Jul. 5, 2012]. Retrieved from the Internet: <URL: http://www.mpsmedicalsupply.com/76792-M-Integrated-Wall-System.jpg>. 1 page.
(Untitled) Wall System, [online] [retrieved Jul. 5, 2012]. Retrieved from the Internet: <URL: http://www.angelusmedical.com/images/767.JPG>. 1 page.

(Continued)

Primary Examiner — David Muller

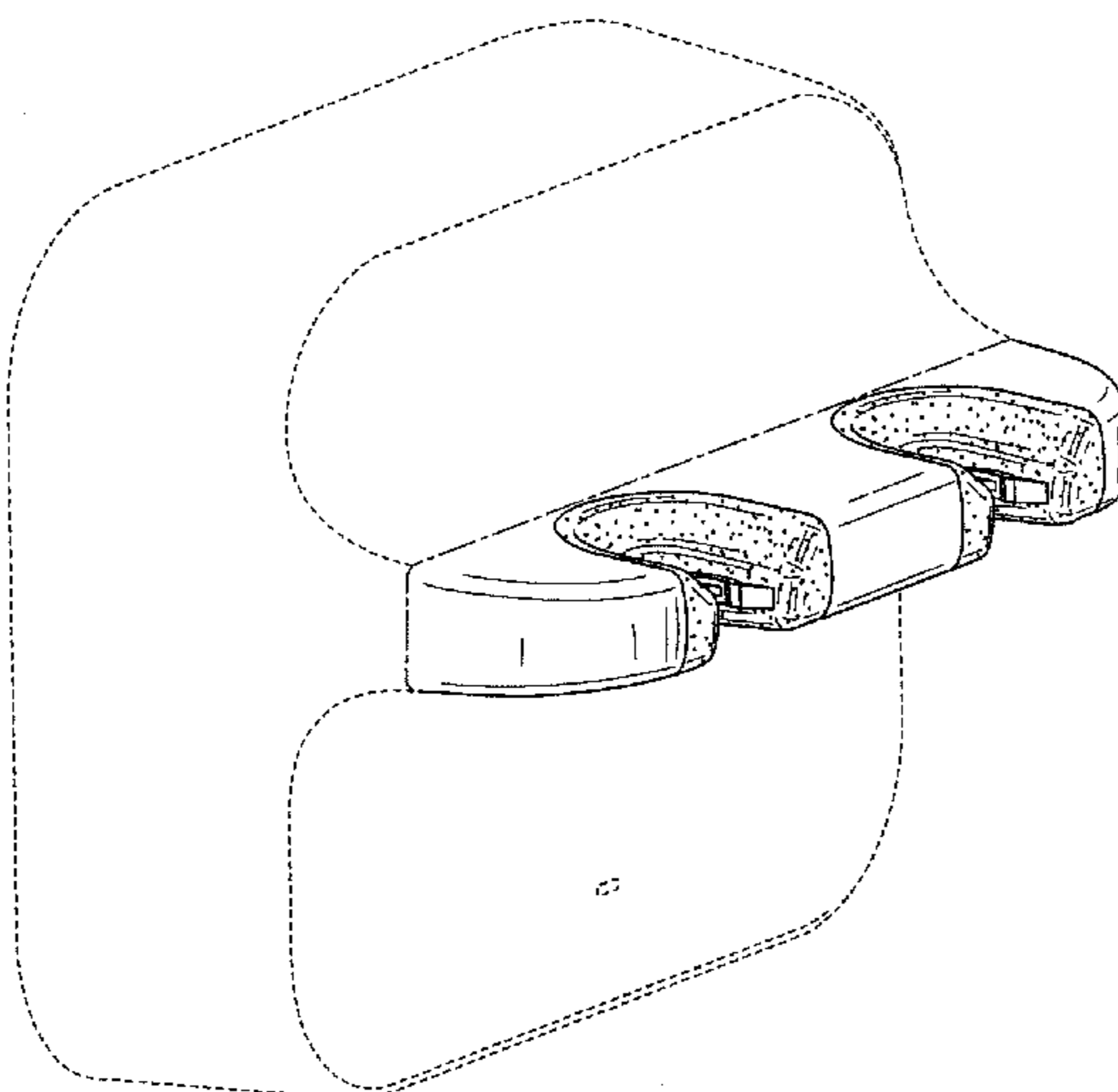
(57) **CLAIM**

The ornamental design for a portion of a medical device housing, as shown and described.

DESCRIPTION

FIG. 1 is a perspective view of a portion of a medical device housing showing my new design; FIG. 2 is a front elevation view thereof; FIG. 3 is a rear elevation view thereof; FIG. 4 is a top plan view thereof; FIG. 5 is a bottom plan view thereof; FIG. 6 is a left side elevation view thereof; FIG. 7 is a right side elevation view thereof; and, FIG. 8 is another perspective view thereof, shown in a position of use with two medical devices. Broken lines immediately adjacent shaded areas represent bounds of the claimed design. Broken lines of the medical devices of FIG. 8 are directed to environment. All other broken lines are directed to environment or unclaimed features. The broken lines form no part of the claimed design.

1 Claim, 8 Drawing Sheets



(56)

References Cited

OTHER PUBLICATIONS

Welch_Allyn_Diagnostic_Set_Wall_Set.jpg(1731x2433)
[online] [retrieved Jul. 5, 2012]. Retrieved from the Internet: <URL: http://www.mortonmedical.co.uk/images/Welch_Allyn_Diagnostic_Set_Elite_Wall_Set.jpg>. 1 page.
Connex® Integrated Wall System [online] [retrieved Apr. 13, 2012]. Retrieved from the Internet: <URL: <http://www.welchallyn.com/apps/products/product.jsp?id=19-te-114-1305728825045>>. 1 page.

(Untitled) Wall System, [online] [retrieved Jul. 5, 2012]. Retrieved from the Internet: <URL: http://www.welchallyn.com/promotions/connex-evd/connex-iws/images/Header_CIWS.jpg>. 1 page.

(Untitled) Wall System, [online] [retrieved Jul. 5, 2012]. Retrieved from the Internet: <URL: http://www.reddingmedical.com/proding/Connex_84NTVXP-B.jpg>. 1 page.

(Untitled) Wall System, [online] [retrieved Jul. 5, 2012]. Retrieved from the Internet: <URL: <http://www.mohawkmedicalmall.com/Merchant2/graphics/00000001/connexwall1-big.jpg>>. 1 page.

* cited by examiner

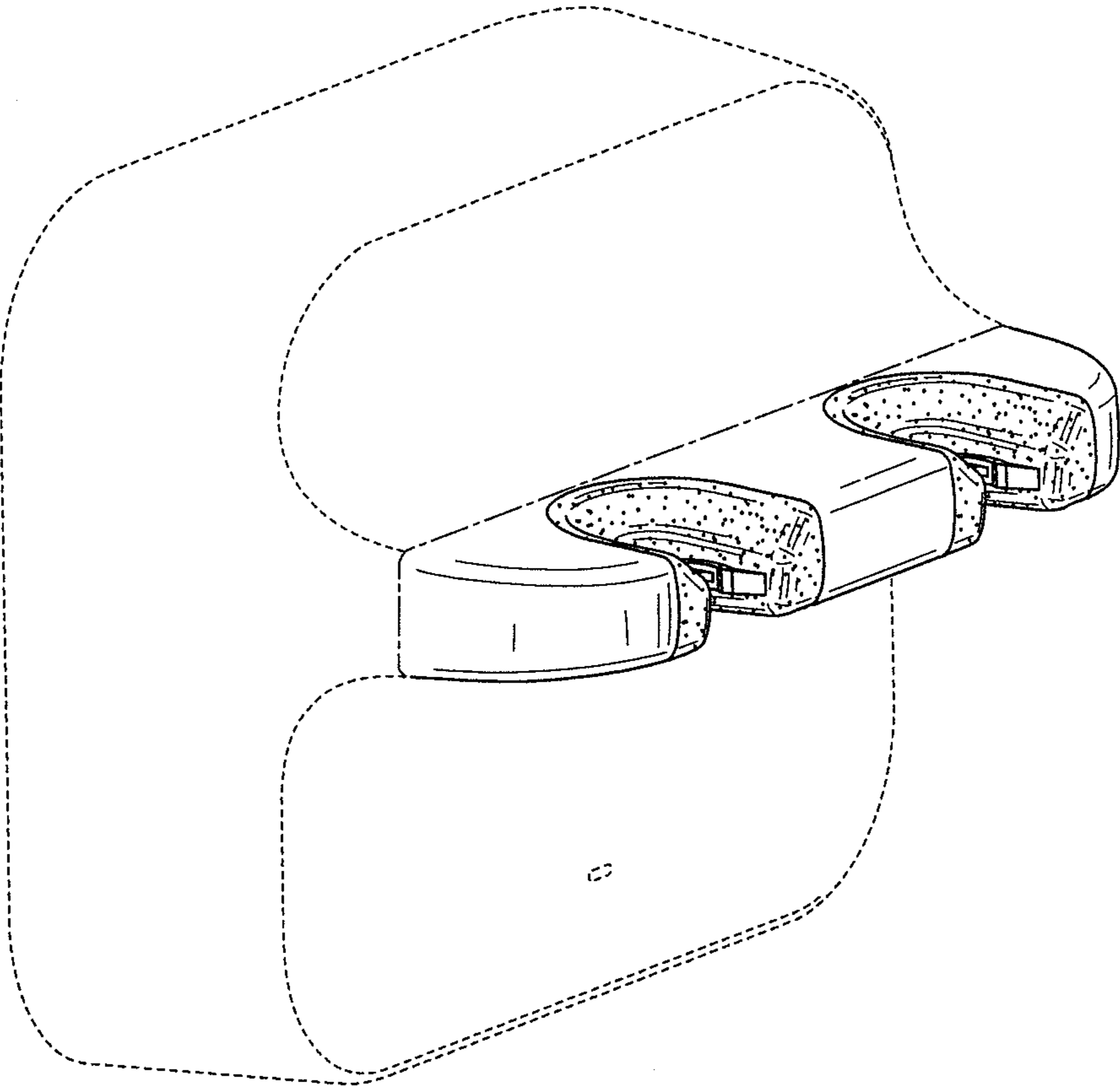


FIG. 1

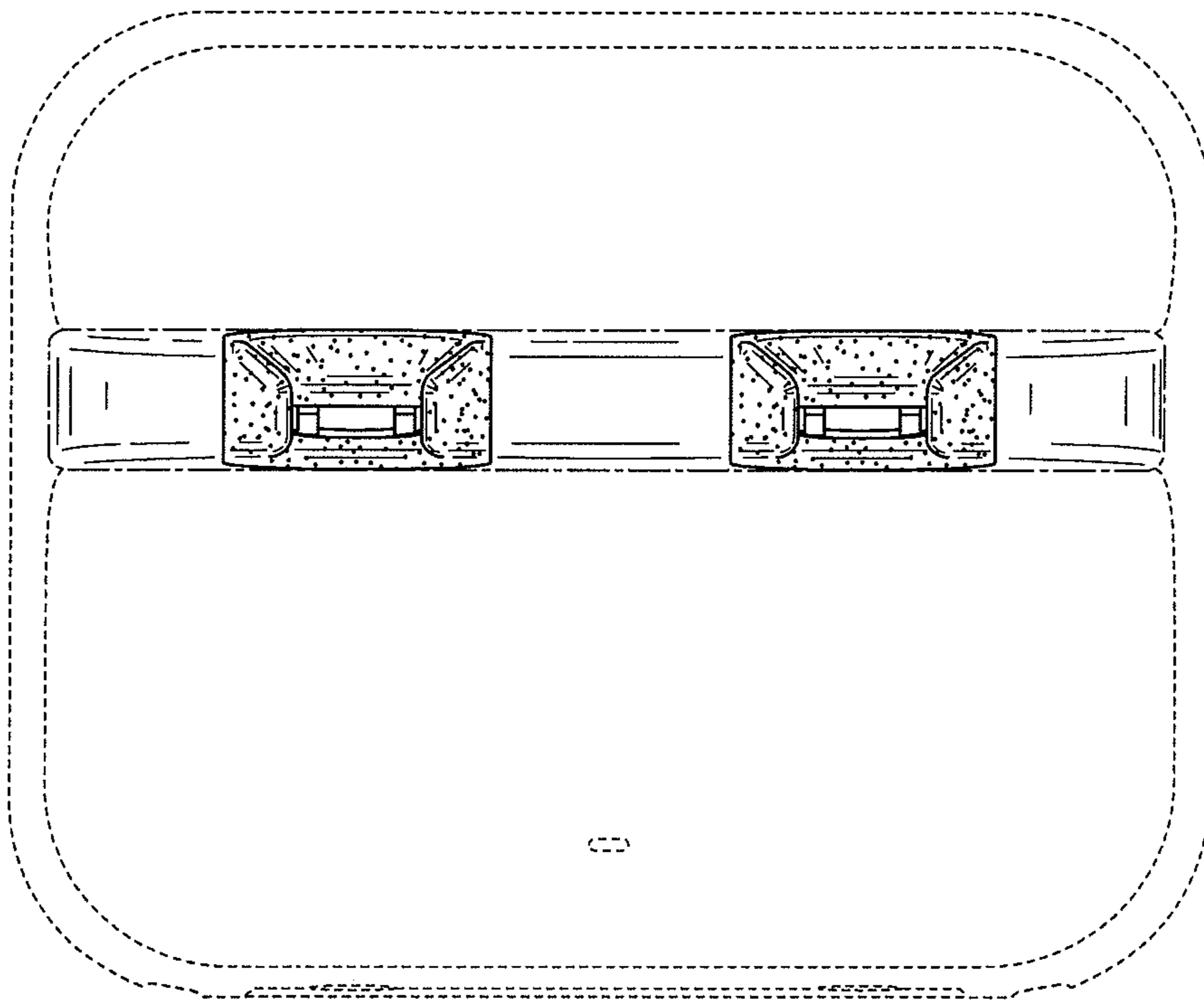


FIG. 2

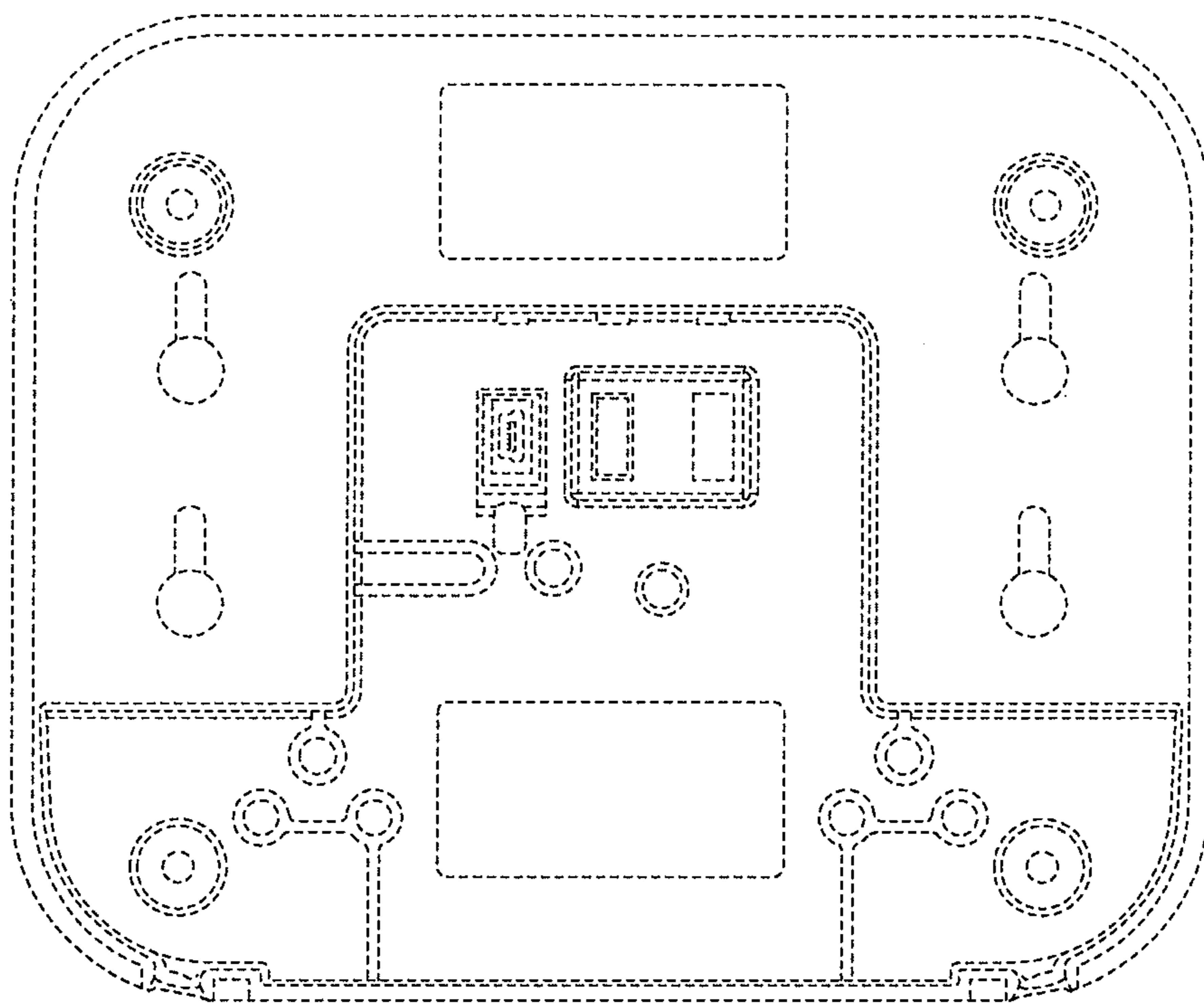


FIG. 3

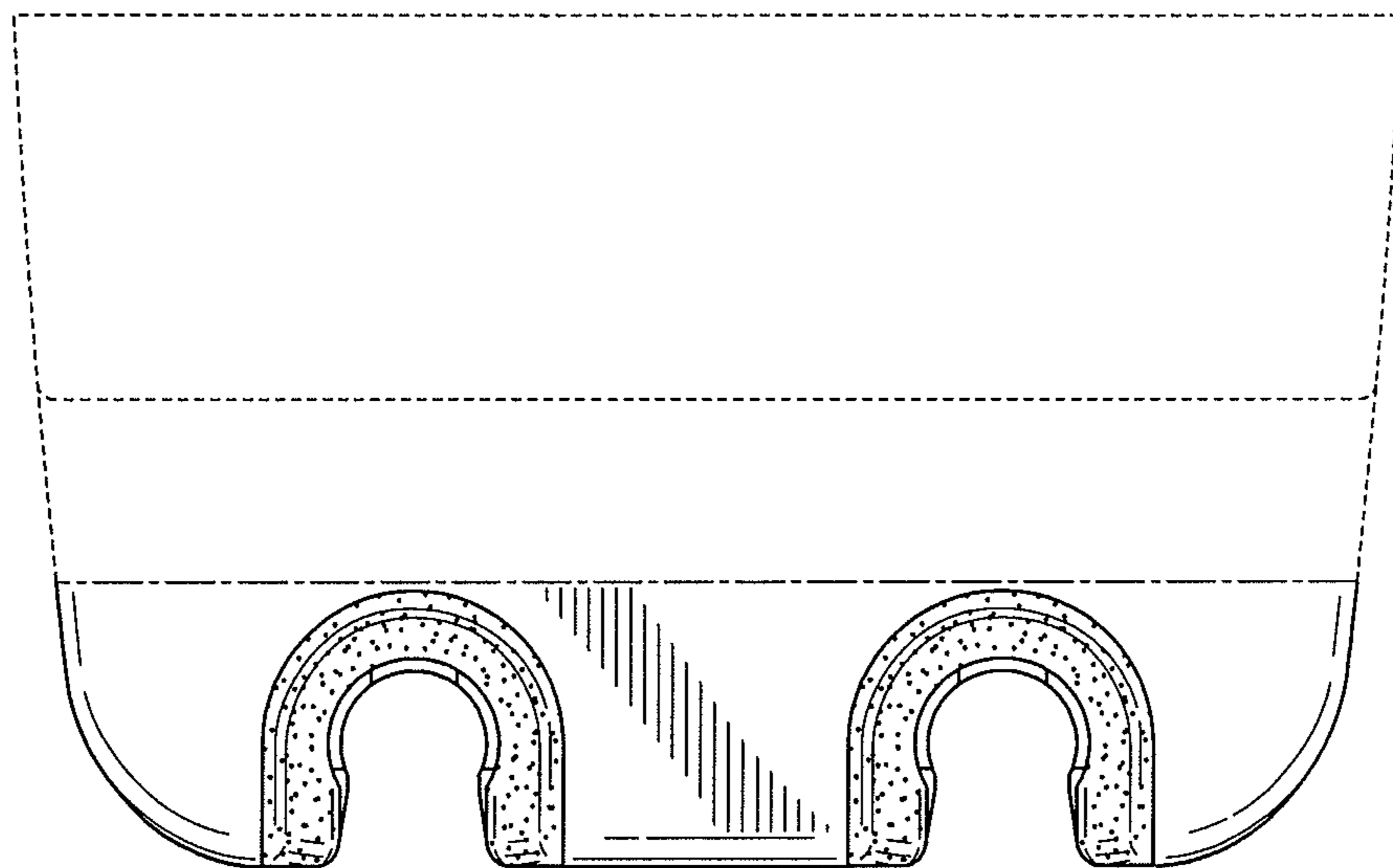


FIG. 4

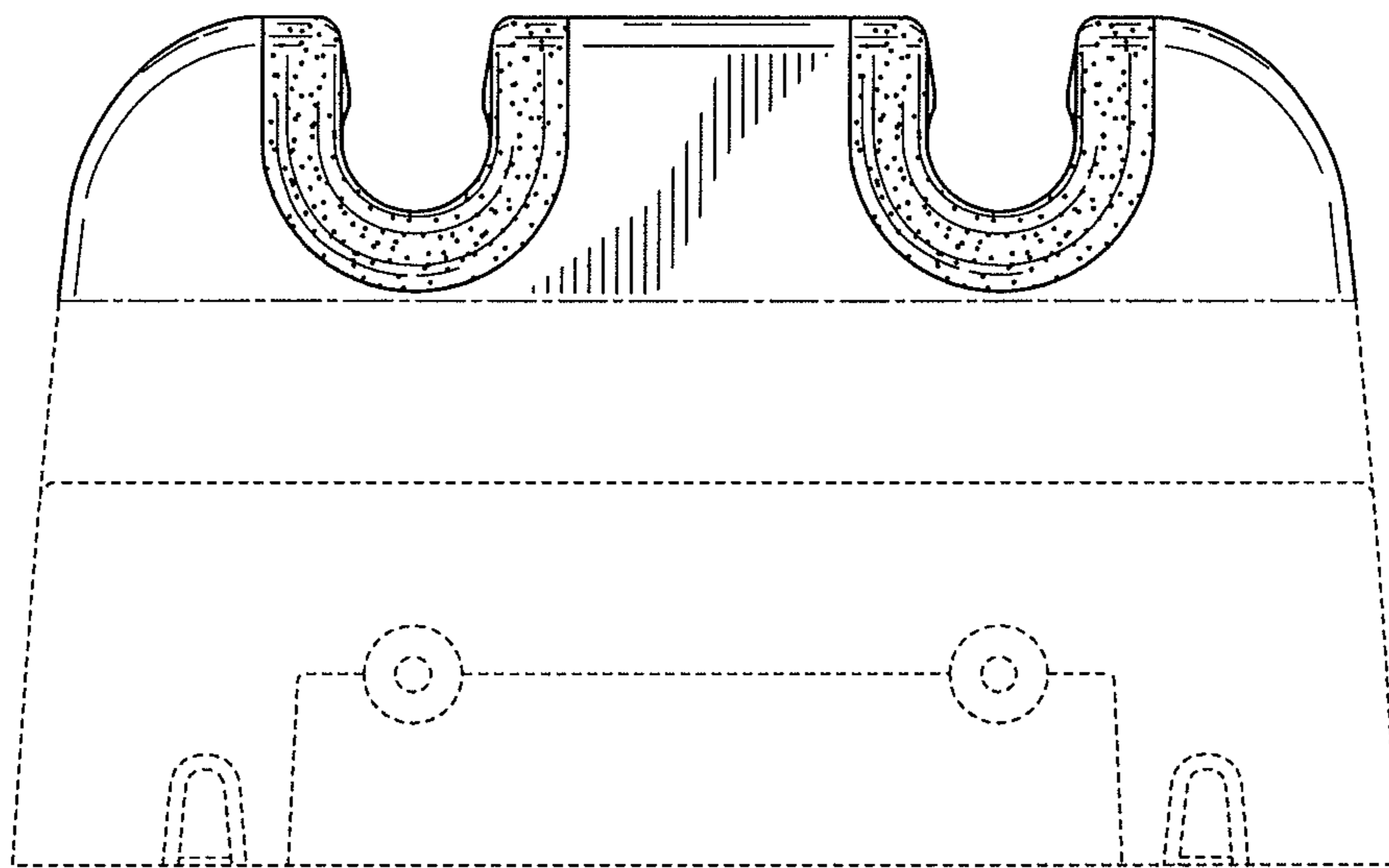


FIG. 5

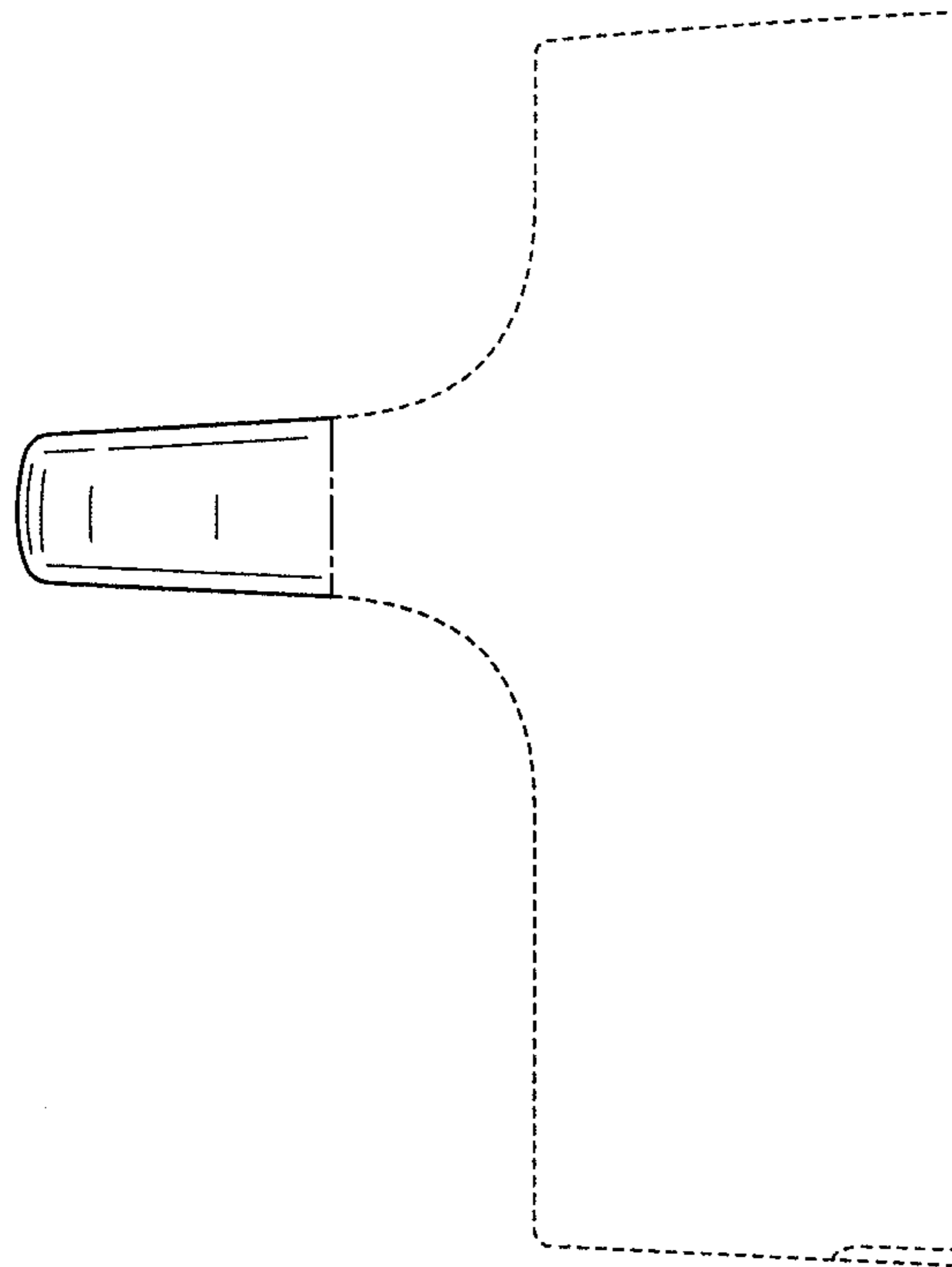


FIG. 6

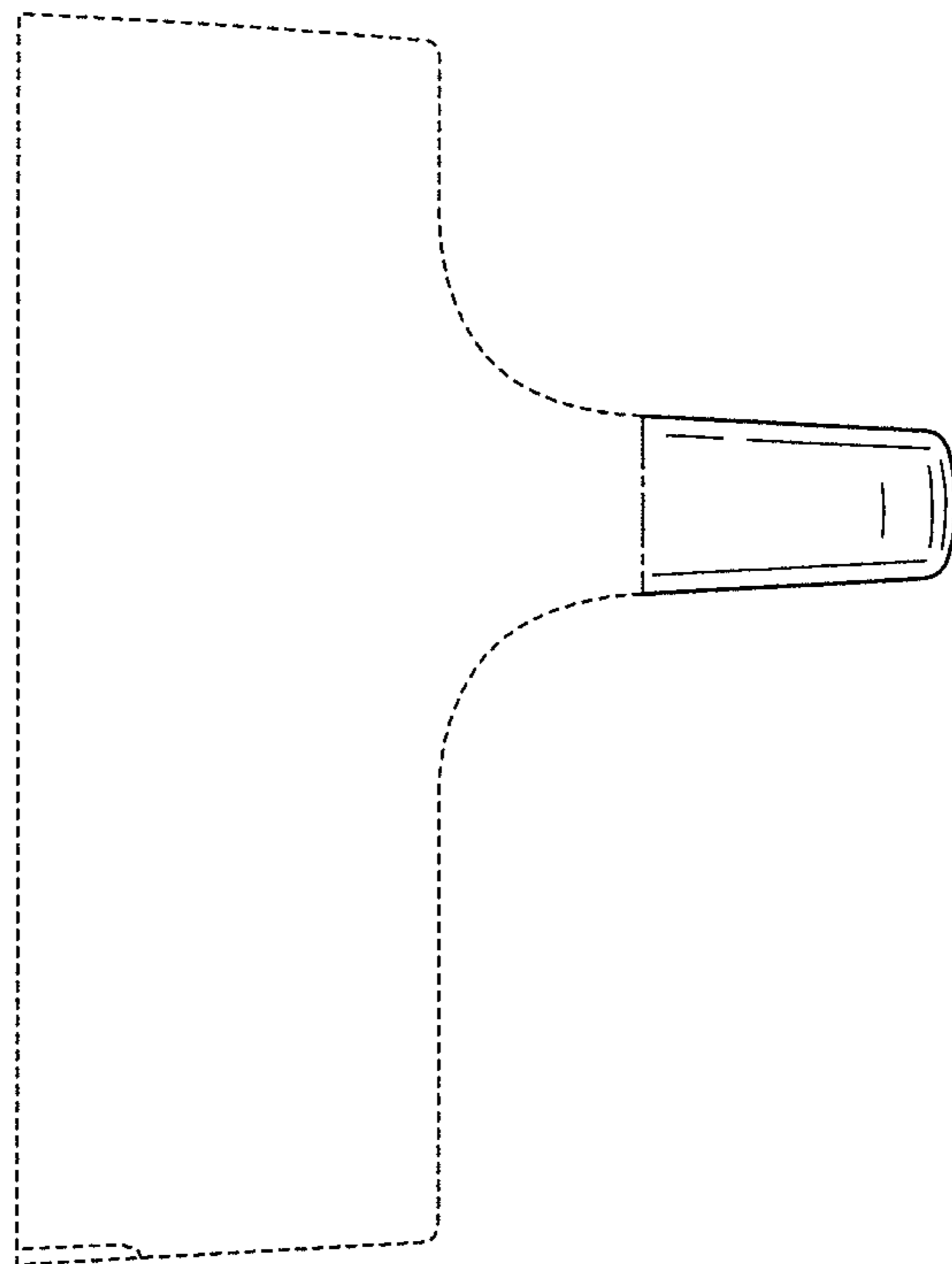


FIG. 7

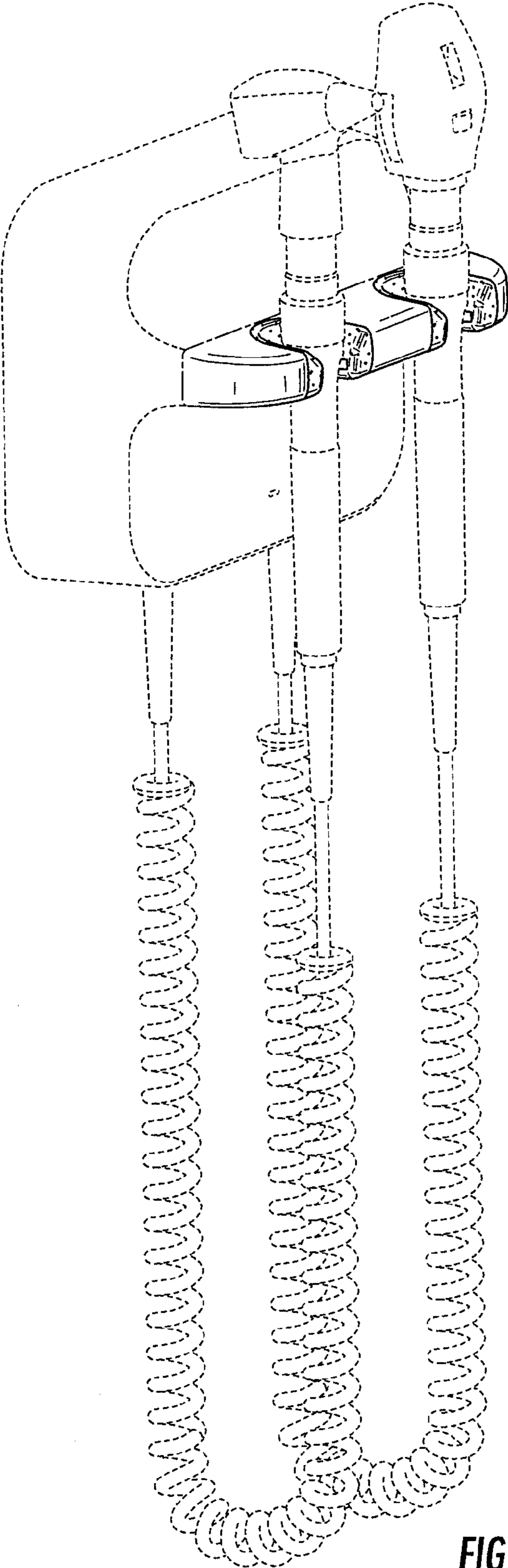


FIG. 8