



US00D704828S

(12) **United States Design Patent**  
**Lin**

(10) **Patent No.:** **US D704,828 S**

(45) **Date of Patent:** **\*\* May 13, 2014**

(54) **MEDICAL PILLOW SEAT**

(71) Applicant: **Ying-Ling Lin**, Taoyuan County (TW)

(72) Inventor: **Ying-Ling Lin**, Taoyuan County (TW)

(\*\*) Term: **14 Years**

(21) Appl. No.: **29/444,747**

(22) Filed: **Feb. 4, 2013**

(51) **LOC (10) Cl.** ..... **24-02**

(52) **U.S. Cl.**  
USPC ..... **D24/127**

(58) **Field of Classification Search**  
USPC ..... D24/127-130, 112-114; 5/636-638,  
5/641, 643, 645; D6/601, 606, 611  
See application file for complete search history.

(56) **References Cited**

**U.S. PATENT DOCUMENTS**

2,551,727	A *	5/1951	Costello	.....	5/638
D271,834	S *	12/1983	Huntsinger	.....	D6/601
D277,059	S *	1/1985	Boone	.....	D6/601
4,752,064	A *	6/1988	Voss	.....	5/638

4,779,297	A *	10/1988	Sturges	.....	5/638
5,177,823	A *	1/1993	Riach	.....	5/636
5,608,935	A *	3/1997	Warfield	.....	5/643
5,642,543	A *	7/1997	Huntley	.....	5/638
D414,974	S *	10/1999	Marrone et al.	.....	D6/601
6,842,924	B1 *	1/2005	Walters	.....	5/637
7,080,420	B2 *	7/2006	Damron	.....	5/638
7,089,613	B2 *	8/2006	Cohen	.....	5/637
D663,564	S *	7/2012	Sclare	.....	D6/601

\* cited by examiner

*Primary Examiner* — David Muller

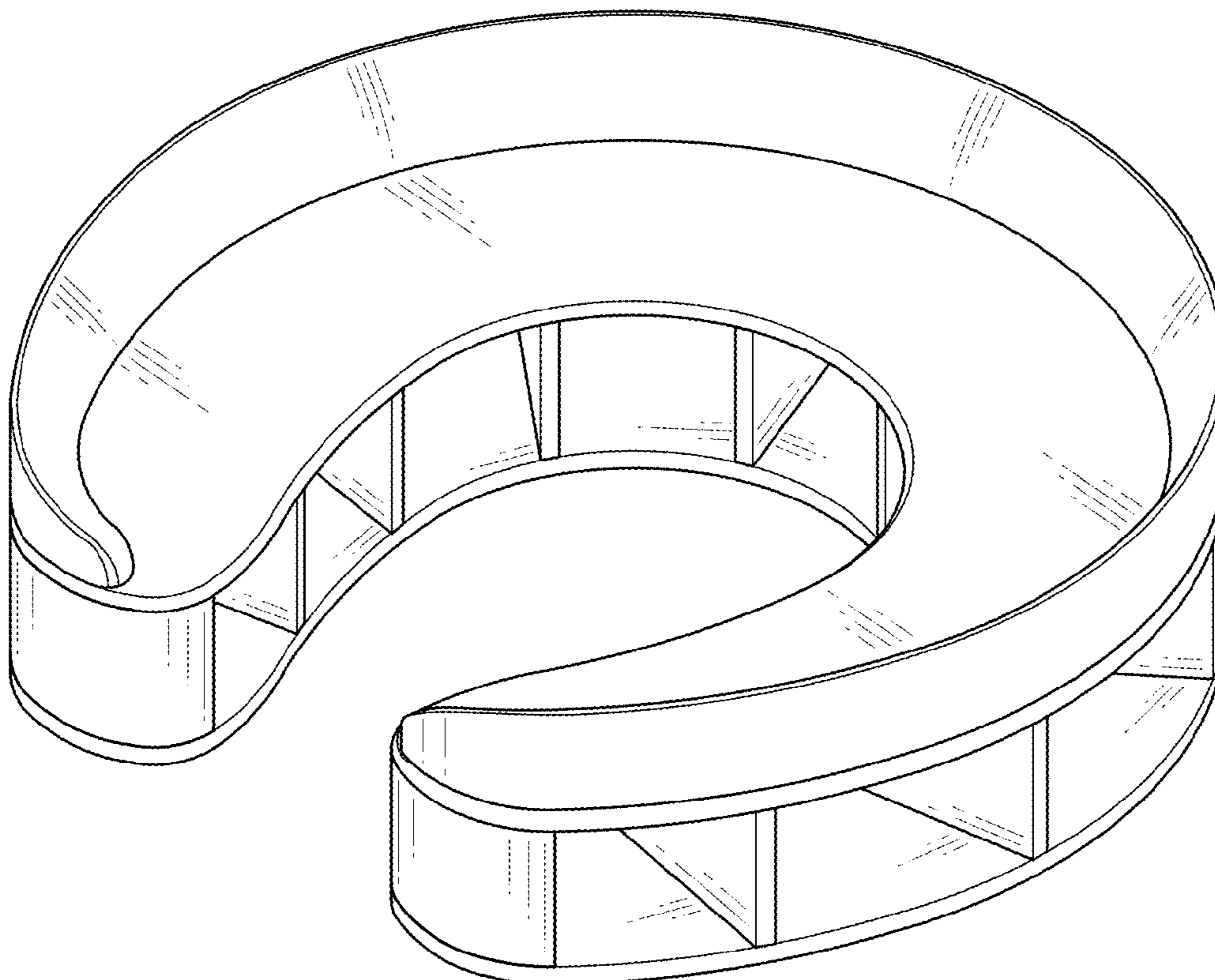
(57) **CLAIM**

The ornamental design for a medical pillow seat, as shown.

**DESCRIPTION**

FIG. 1 is a perspective view of a medical pillow seat showing my new design;  
FIG. 2 is a front elevational view thereof;  
FIG. 3 is a rear elevational view thereof;  
FIG. 4 is a left side elevational view thereof;  
FIG. 5 is a right side elevational view thereof;  
FIG. 6 is a top plan view thereof; and,  
FIG. 7 is a bottom plan view thereof.

**1 Claim, 5 Drawing Sheets**



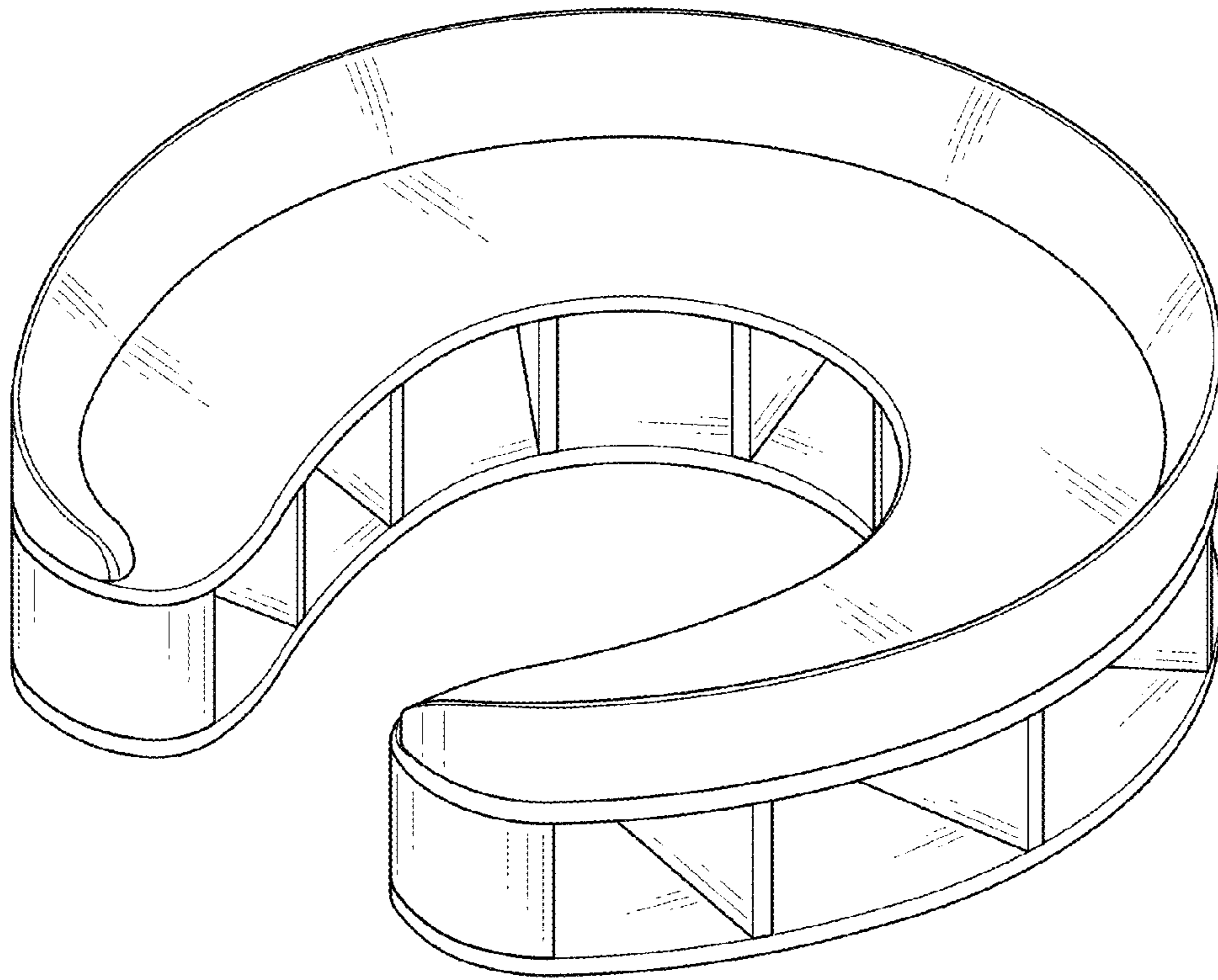


FIG.1

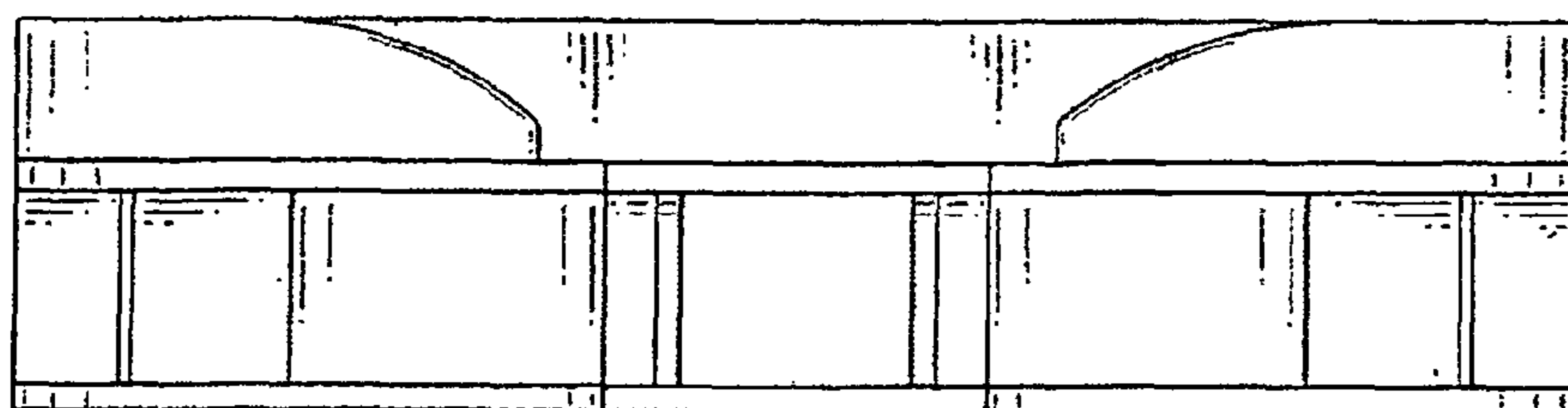


FIG. 2

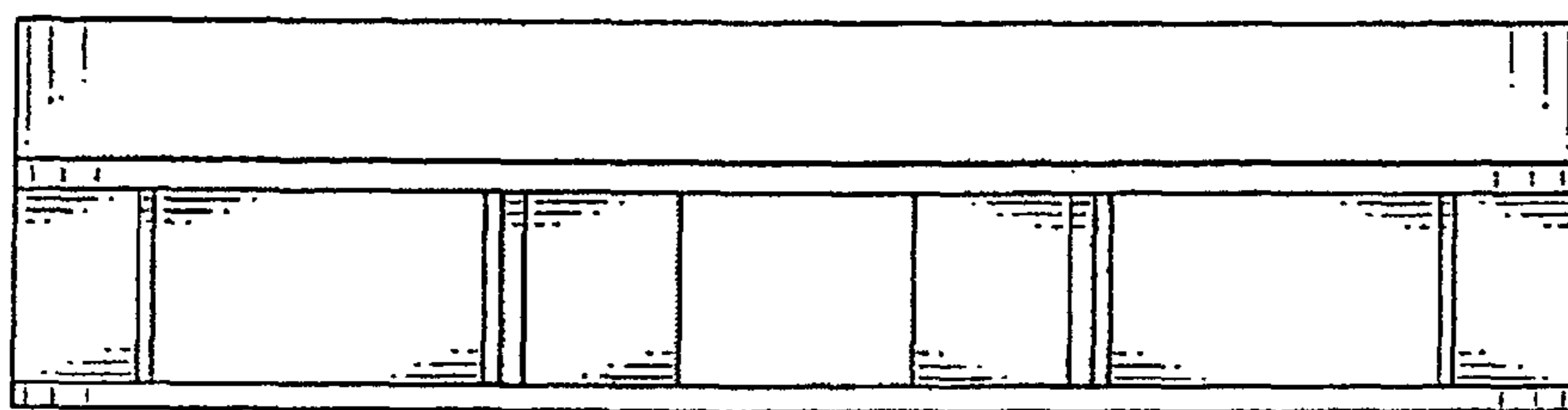


FIG. 3

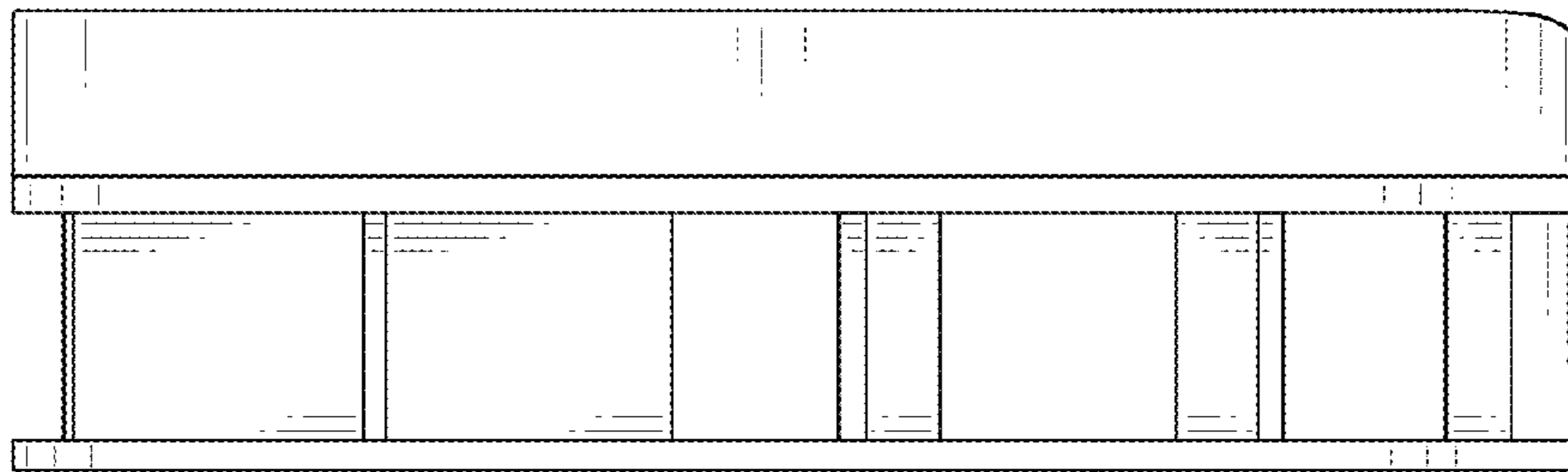


FIG.4

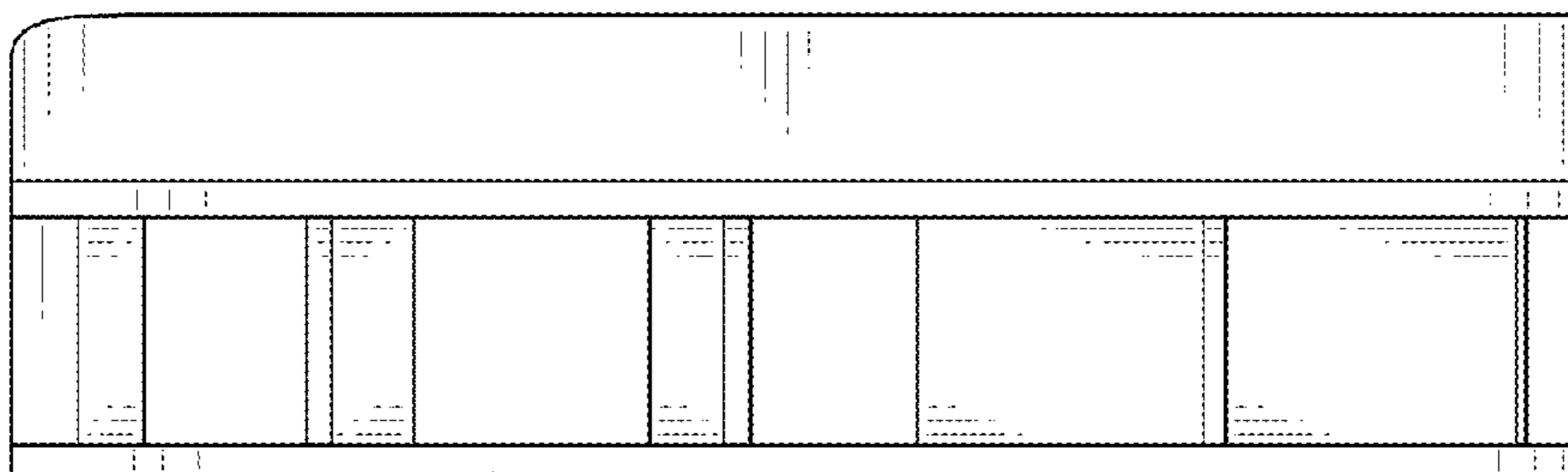


FIG.5

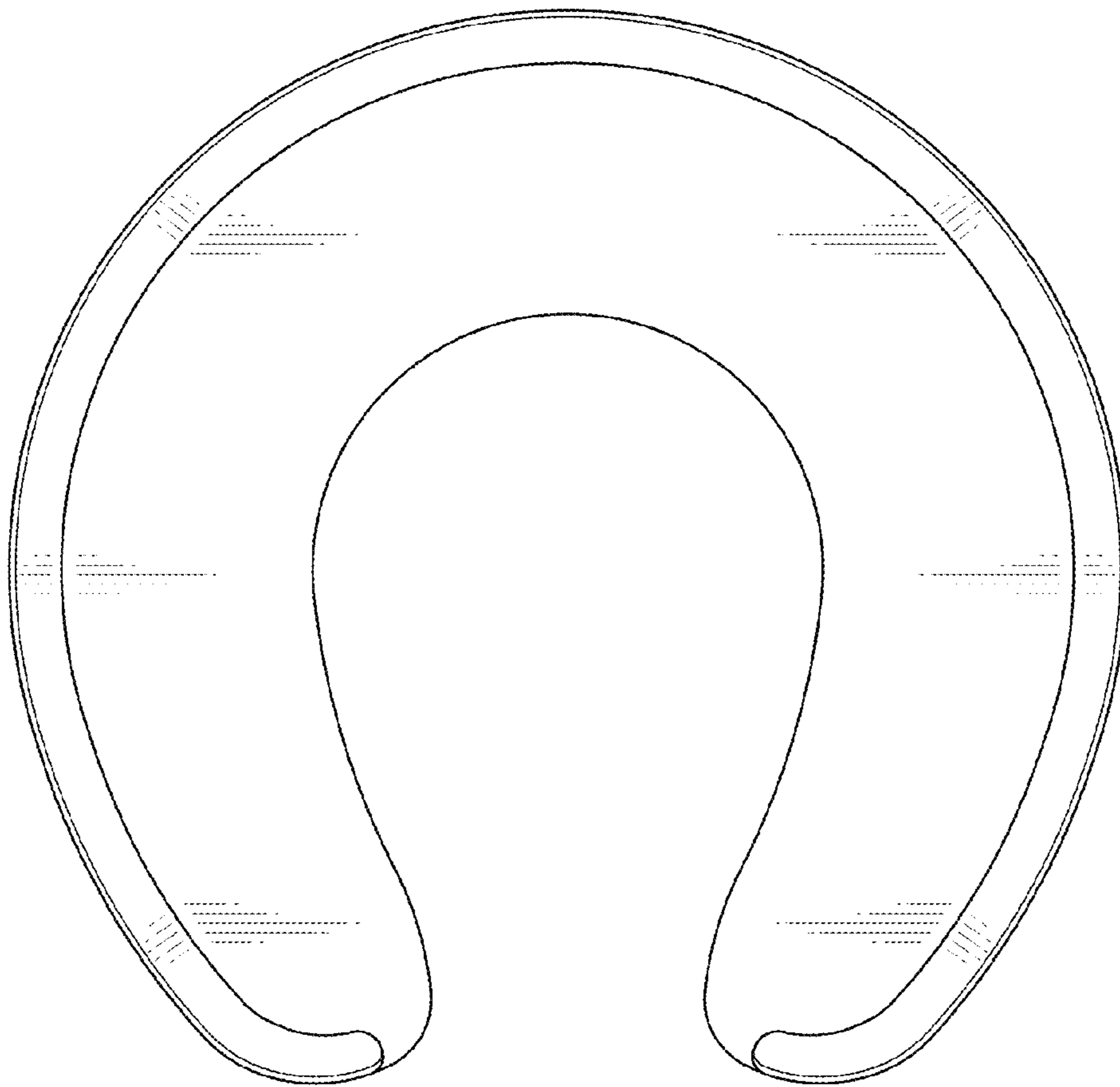


FIG.6

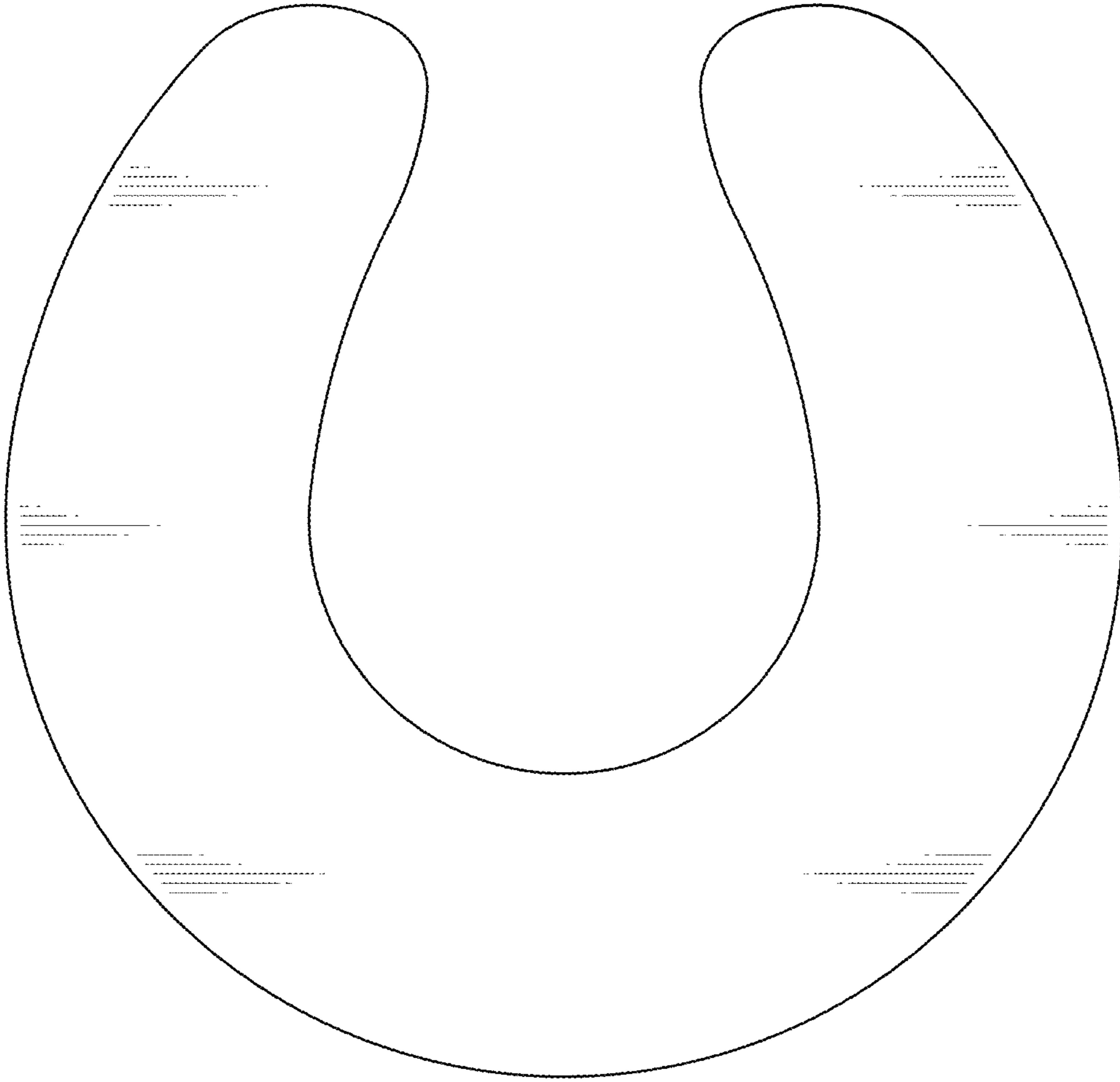


FIG.7