



US00D704826S

(12) **United States Design Patent**
Amarasinghe

(10) **Patent No.:** **US D704,826 S**
(45) **Date of Patent:** **** May 13, 2014**

(54) **HEADGEAR**

FOREIGN PATENT DOCUMENTS

(75) Inventor: **Amal S. Amarasinghe**, West Pennant Hills (AU)

DE 19947722 4/2001
EP 0 747 078 12/1996

(Continued)

(73) Assignee: **ResMed Limited**, Bella Vista (AU)

OTHER PUBLICATIONS

(**) Term: **14 Years**

Amarasinghe, U.S. Appl. No. 29/371,084, filed Oct. 14, 2010.

(21) Appl. No.: **29/418,366**

(Continued)

(22) Filed: **Apr. 16, 2012**

Primary Examiner — Michael A Pratt

(74) *Attorney, Agent, or Firm* — Nixon & Vanderhye, P.C.

Related U.S. Application Data

(60) Continuation of application No. 29/371,084, filed on Oct. 14, 2010, now Pat. No. Des. 660,414, which is a division of application No. 29/290,276, filed on Nov. 14, 2007, now Pat. No. Des. 652,504, which is a continuation of application No. 29/266,817, filed on Sep. 29, 2006, now Pat. No. Des. 561,892, which is a continuation of application No. 29/220,534, filed on Jan. 3, 2005, now Pat. No. Des. 532,511.

(57) **CLAIM**

The ornamental design of headgear, as shown and described.

DESCRIPTION

(51) **LOC (10) Cl.** **29-02**

(52) **U.S. Cl.**
USPC **D24/110.1**

(58) **Field of Classification Search**
USPC D24/110-110.6, 164; D16/339;
128/207.17, 207.11, 848;
2/171.2-171.8

See application file for complete search history.

FIG. 1 is a perspective view of headgear for use with a respiratory mask assembly according to a first embodiment of my new ornamental design;
FIG. 2 is a front view thereof;
FIG. 3 is a rear view thereof;
FIG. 4 is a top view thereof;
FIG. 5 is a bottom view thereof;
FIG. 6 is a perspective view of headgear for use with a respiratory mask assembly according to a second embodiment of my new ornamental design;
FIG. 7 is a front view thereof;
FIG. 8 is a rear view thereof;
FIG. 9 is a top view thereof; and
FIG. 10 is a bottom view thereof.

The headgear shown in FIGS. 1-10 is shown in its pre-use condition. The headgear is designed to wrap about the head of a patient in use.

The broken lines show environment or structure, are for illustrative purposes only, and form no part of the claimed design. The dotted lines represent the border between claimed and unclaimed subject matter and form no part of the claimed design.

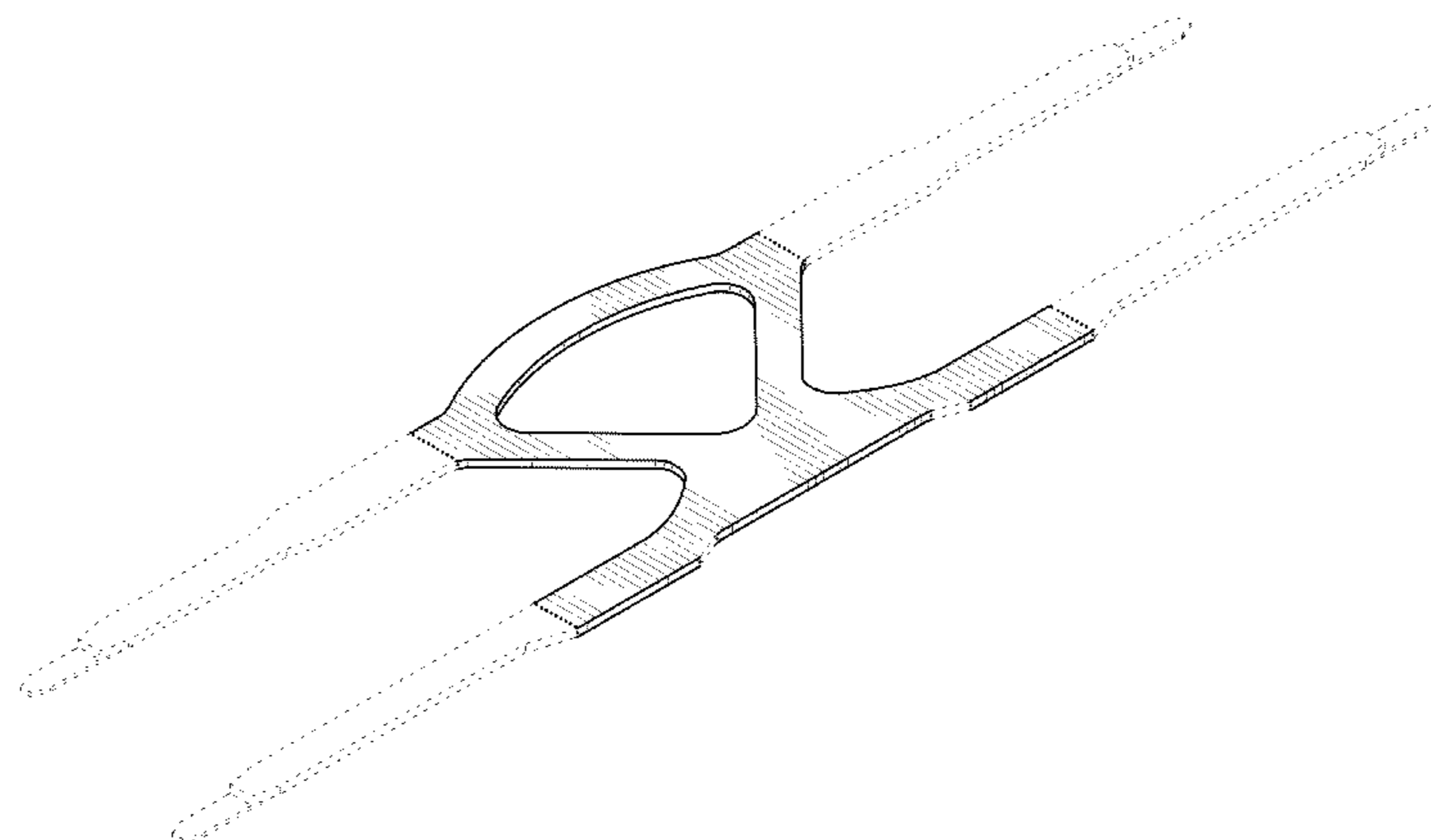
(56) **References Cited**

U.S. PATENT DOCUMENTS

RE20,211 E 12/1936 Motsinger
3,457,564 A 7/1969 Holloway
4,367,735 A 1/1983 Dali et al.
5,117,819 A 6/1992 Servidio et al.
D335,367 S 5/1993 Mieskoski
5,284,469 A 2/1994 Jasen et al.

(Continued)

1 Claim, 6 Drawing Sheets



(56)

References Cited

U.S. PATENT DOCUMENTS

5,488,948 A 2/1996 Dubruille et al.
 5,490,504 A 2/1996 Vrona et al.
 5,517,986 A 5/1996 Starr et al.
 5,529,062 A 6/1996 Byrd et al.
 5,542,128 A 8/1996 Lomas
 D383,204 S 9/1997 Lomas
 6,105,573 A 8/2000 Delaplane et al.
 6,119,693 A 9/2000 Kwok et al.
 D440,652 S 4/2001 Pollard
 6,269,814 B1 8/2001 Blaszczykiewicz et al.
 6,422,238 B1 7/2002 Lithgow
 6,494,207 B1 12/2002 Kwok
 D485,905 S 1/2004 Moore et al.
 6,701,927 B2 3/2004 Kwok et al.
 6,772,760 B2 8/2004 Frater et al.
 D496,726 S 9/2004 Amarasinghe et al.
 6,796,308 B2 9/2004 Gunaratnam et al.
 6,805,117 B1 10/2004 Ho et al.
 D532,511 S * 11/2006 Amarasinghe D24/110
 D532,512 S 11/2006 Amarasinghe
 7,188,620 B2 3/2007 Amarasinghe
 D540,940 S 4/2007 Amarasinghe et al.
 D545,961 S 7/2007 Hitchcock et al.
 D550,834 S 9/2007 Samaras
 D552,731 S 10/2007 Moore et al.
 D559,976 S * 1/2008 Amarasinghe D24/110.1
 D560,797 S 1/2008 Carroll et al.
 D561,332 S 2/2008 Amarasinghe et al.
 D561,892 S 2/2008 Amarasinghe
 D588,690 S 3/2009 Ging et al.
 7,509,958 B2 * 3/2009 Amarasinghe et al. .. 128/206.24
 D591,419 S 4/2009 Chandran et al.
 D608,862 S 1/2010 Hitchcock et al.
 D617,446 S * 6/2010 Amarasinghe et al. D24/110
 7,802,573 B2 * 9/2010 Amarasinghe 128/207.11
 D639,417 S 6/2011 Amarasinghe
 D649,631 S 11/2011 Amarasinghe
 D650,895 S * 12/2011 Amarasinghe D24/110.1

D652,504 S 1/2012 Amarasinghe
 D652,911 S * 1/2012 Amarasinghe D24/110.1
 D660,414 S * 5/2012 Amarasinghe D24/110.1
 D663,413 S * 7/2012 Amarasinghe D24/110.1
 8,413,657 B2 * 4/2013 Amarasinghe et al. .. 128/207.11
 8,443,805 B2 * 5/2013 Amarasinghe et al. .. 128/207.11
 2001/0049505 A1 12/2001 Byrd
 2002/0174868 A1 11/2002 Kwok et al.
 2003/0051732 A1 3/2003 Smith et al.
 2003/0196657 A1 10/2003 Ging et al.
 2004/0067333 A1 * 4/2004 Amarasinghe 428/99
 2004/0112377 A1 6/2004 Amarasinghe et al.
 2006/0011202 A1 1/2006 Kwok et al.
 2006/0283457 A1 12/2006 Woodard et al.
 2006/0283461 A1 12/2006 Lubke et al.
 2007/0169777 A1 7/2007 Amarasinghe
 2010/0319688 A1 * 12/2010 Amarasinghe 128/201.22
 2011/0265796 A1 * 11/2011 Amarasinghe et al. .. 128/206.28

FOREIGN PATENT DOCUMENTS

EP 1020201 7/2000
 EP 1 057 494 12/2000
 FR 2 618 340 A 1/1989
 JP 10-314307 12/1998
 WO WO 96/25983 8/1996
 WO WO 98/48878 11/1998
 WO WO 02/47749 6/2002

OTHER PUBLICATIONS

Amarasinghe et al., U.S. Appl. No. 60/254,537, filed Dec. 12, 2000.
 European Office Action for EP Appln 01 270 356.7, mailed Jun. 11, 2007, 3 pages.
 Frater et al., U.S. Appl. No. 60/213,251, filed Jun. 22, 2000.
 Frater et al., U.S. Appl. No. 60/219,618, filed Jul. 21, 2000.
 Frater et al., U.S. Appl. No. 60/293,992, filed May 30, 2001.
 Supplementary European Search Report for EP 01270356.7 mailed Feb. 3, 2006, 3 pages.

* cited by examiner

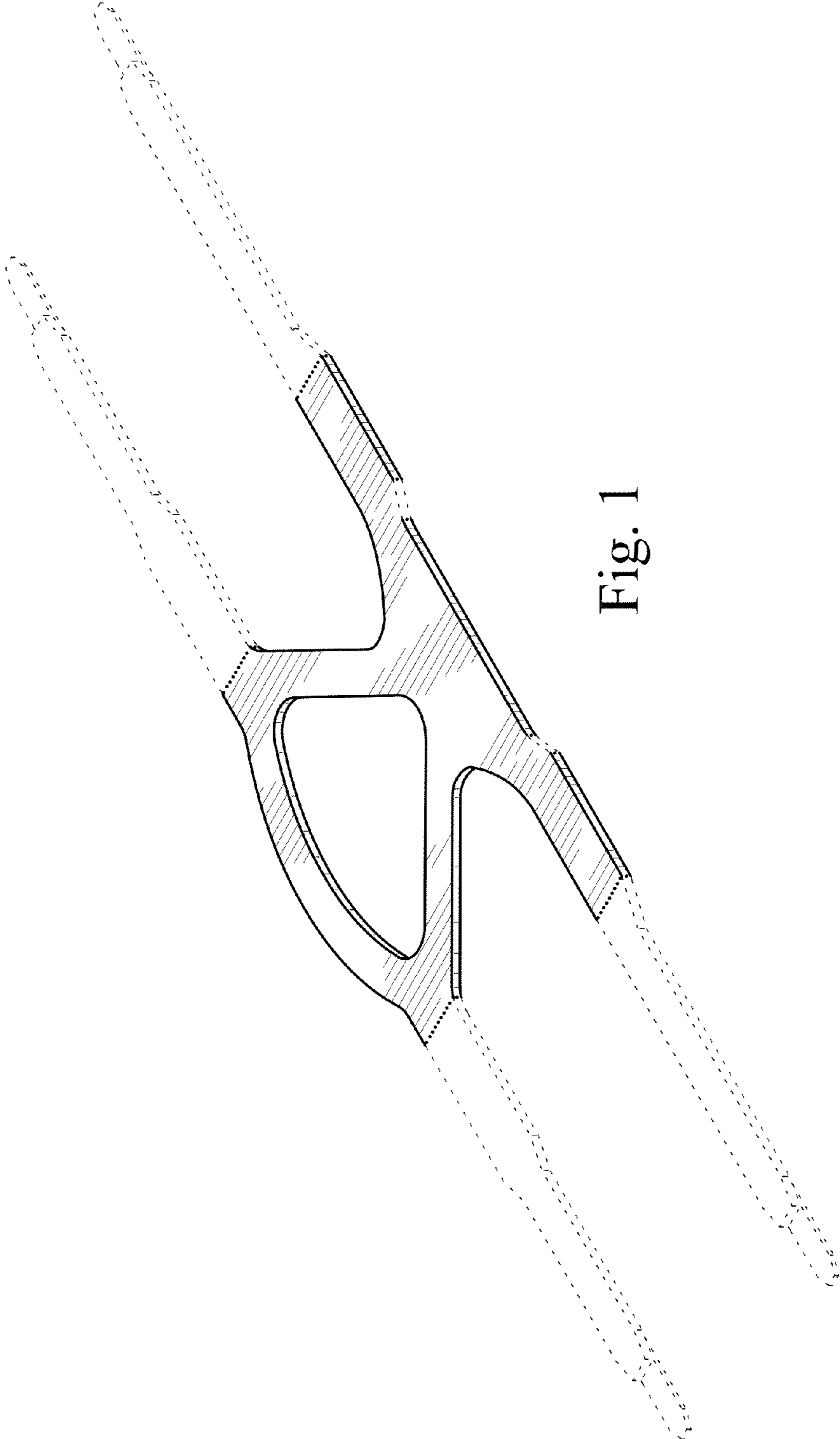


Fig. 1

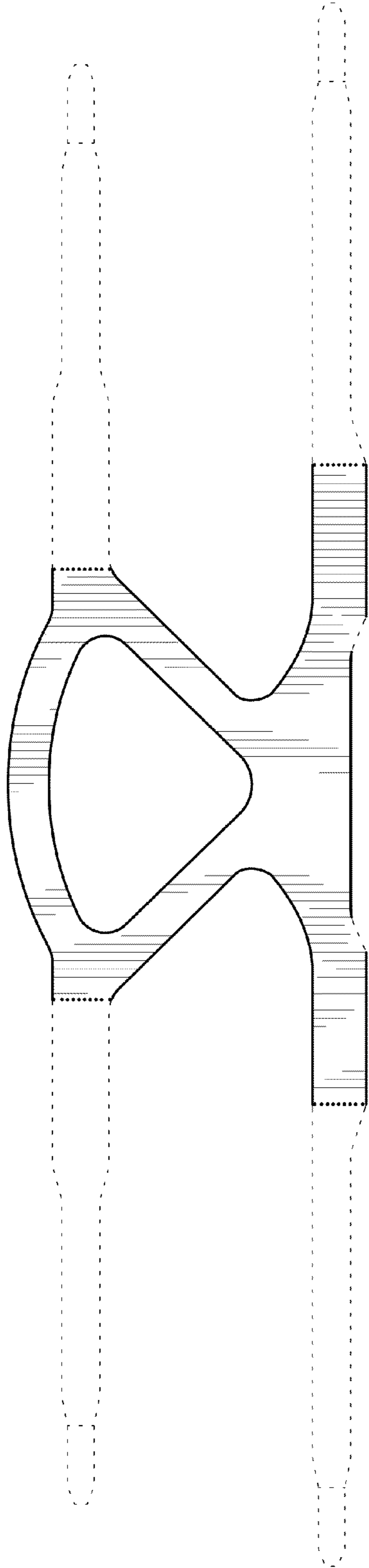


Fig. 2

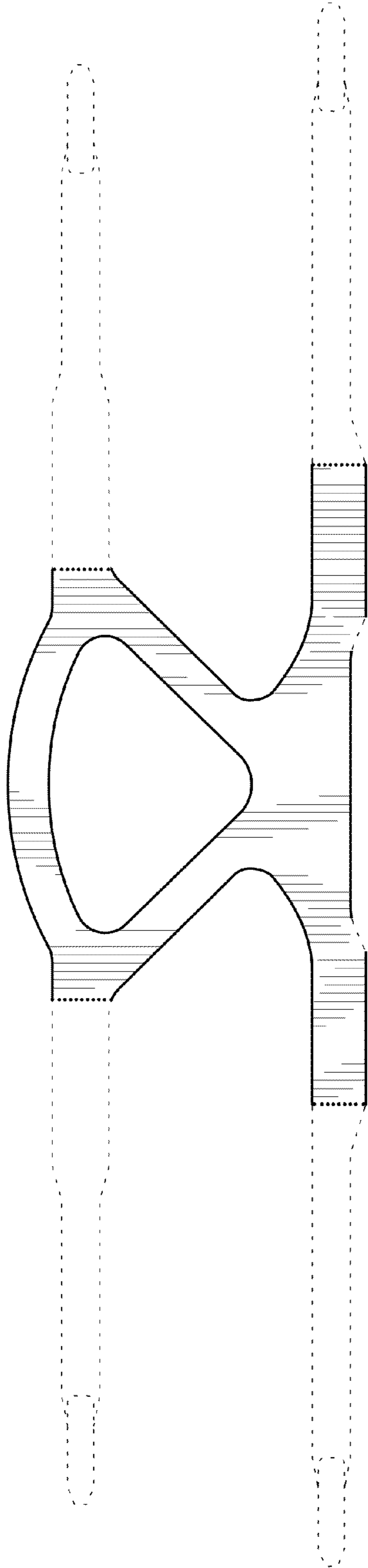


Fig. 3



Fig. 4

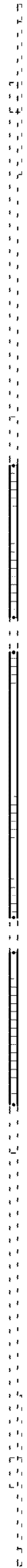


Fig. 5

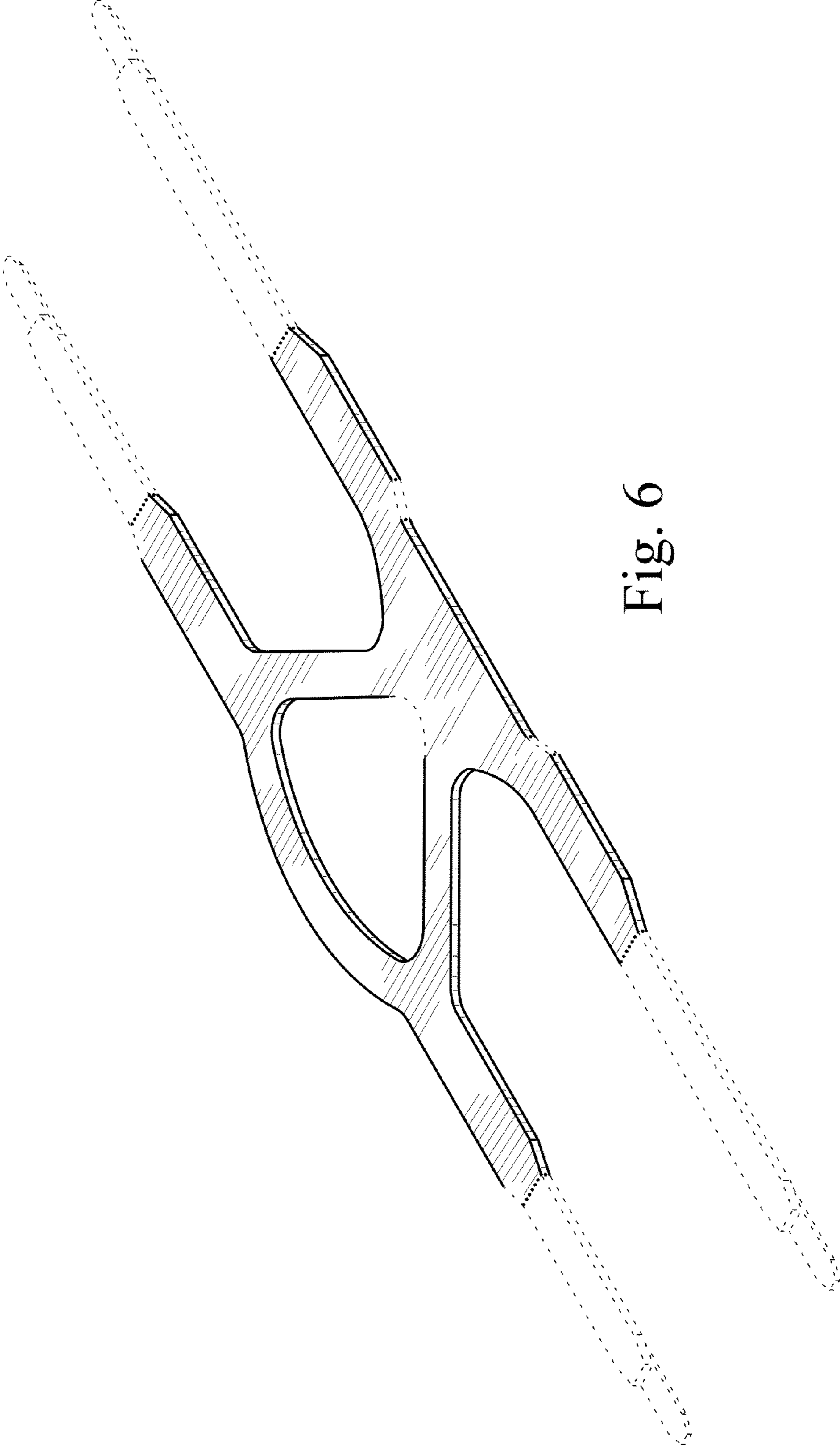


Fig. 6

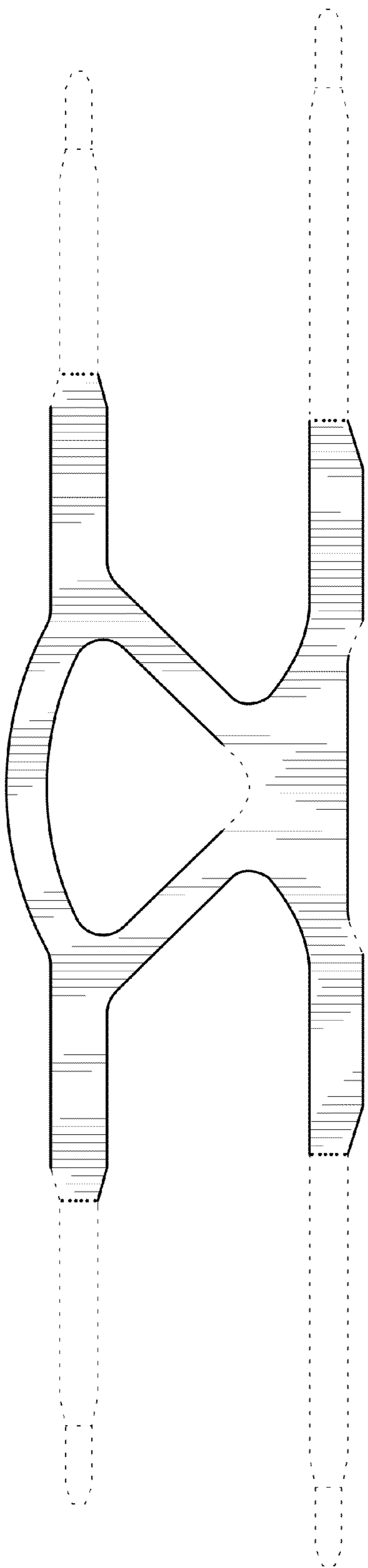


Fig. 7

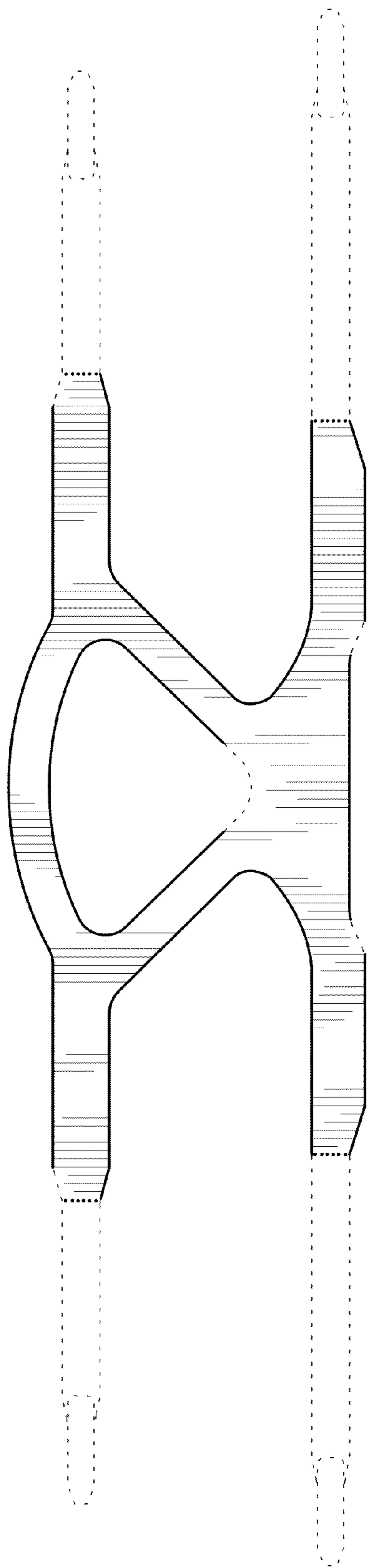


Fig. 8



Fig. 9

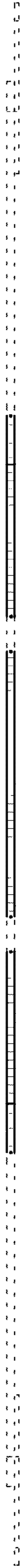


Fig. 10