



US00D704825S

(12) **United States Design Patent**
Flickinger

(10) **Patent No.:** **US D704,825 S**

(45) **Date of Patent:** **** May 13, 2014**

(54) **PORTABLE NEBULIZER**

(75) Inventor: **William J Flickinger**, Lino Lakes, MN (US)

(73) Assignee: **MedInvent, LLC**, White Bear Lake, MN (US)

(**) Term: **14 Years**

(21) Appl. No.: **29/415,125**

(22) Filed: **Mar. 7, 2012**

(51) **LOC (10) Cl.** **29-02**

(52) **U.S. Cl.**
USPC **D24/110**

(58) **Field of Classification Search**
USPC D24/107-110, 111; D15/7-9;
128/200.14, 200.18-200.24, 204.18,
128/204.21, 205.15; 604/514
See application file for complete search history.

(56) **References Cited**

U.S. PATENT DOCUMENTS

- 2,583,821 A * 1/1952 Du Bois 239/327
- D557,407 S * 12/2007 Lithgow et al. D24/110
- D641,764 S * 7/2011 Lipscomb et al. D15/7

* cited by examiner

Primary Examiner — Ian Simmons

Assistant Examiner — Richelle G Shelton

(74) *Attorney, Agent, or Firm* — Colin P. Cahoon; Celina M. Orr; Carstens & Cahoon, LLP

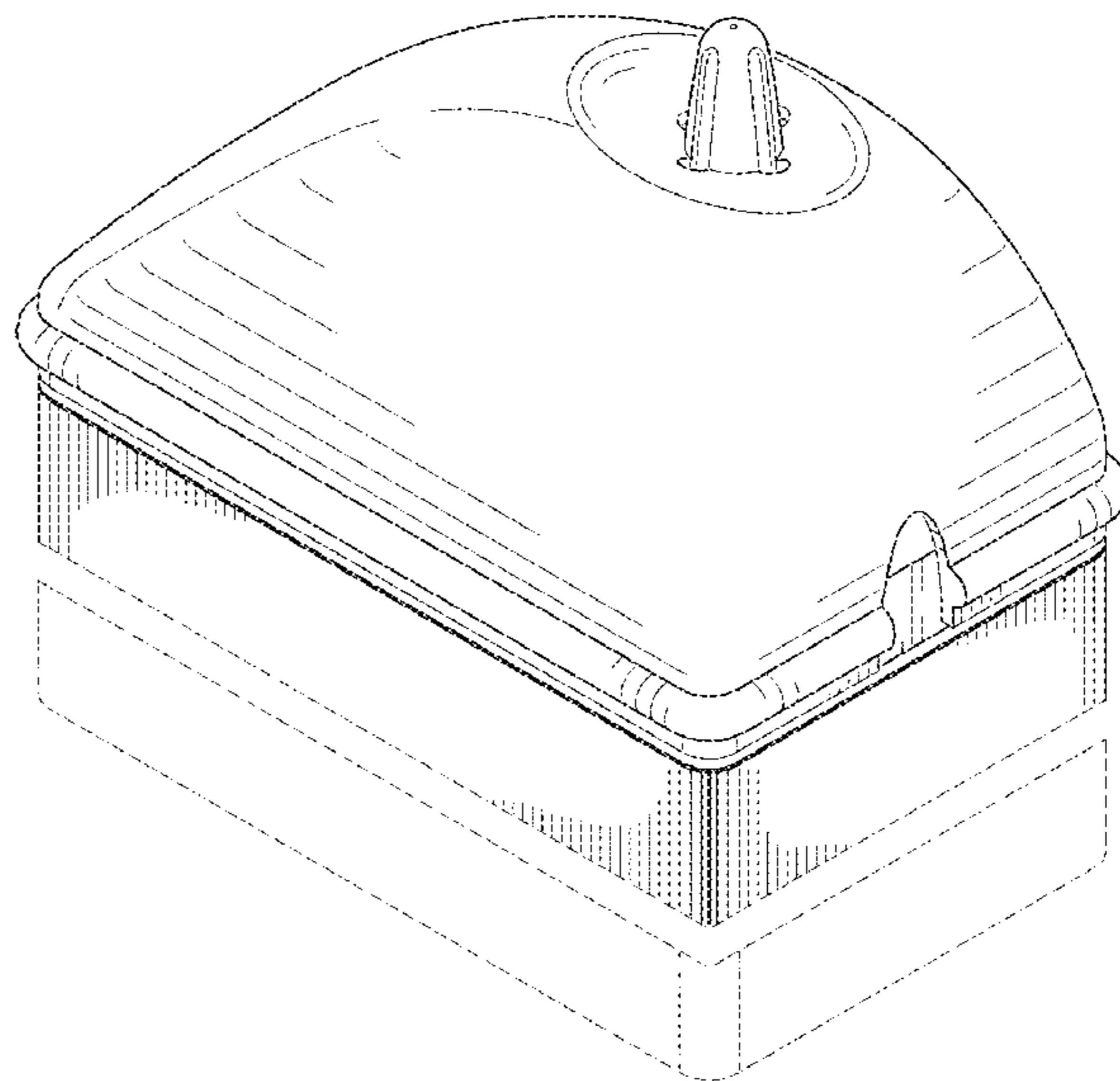
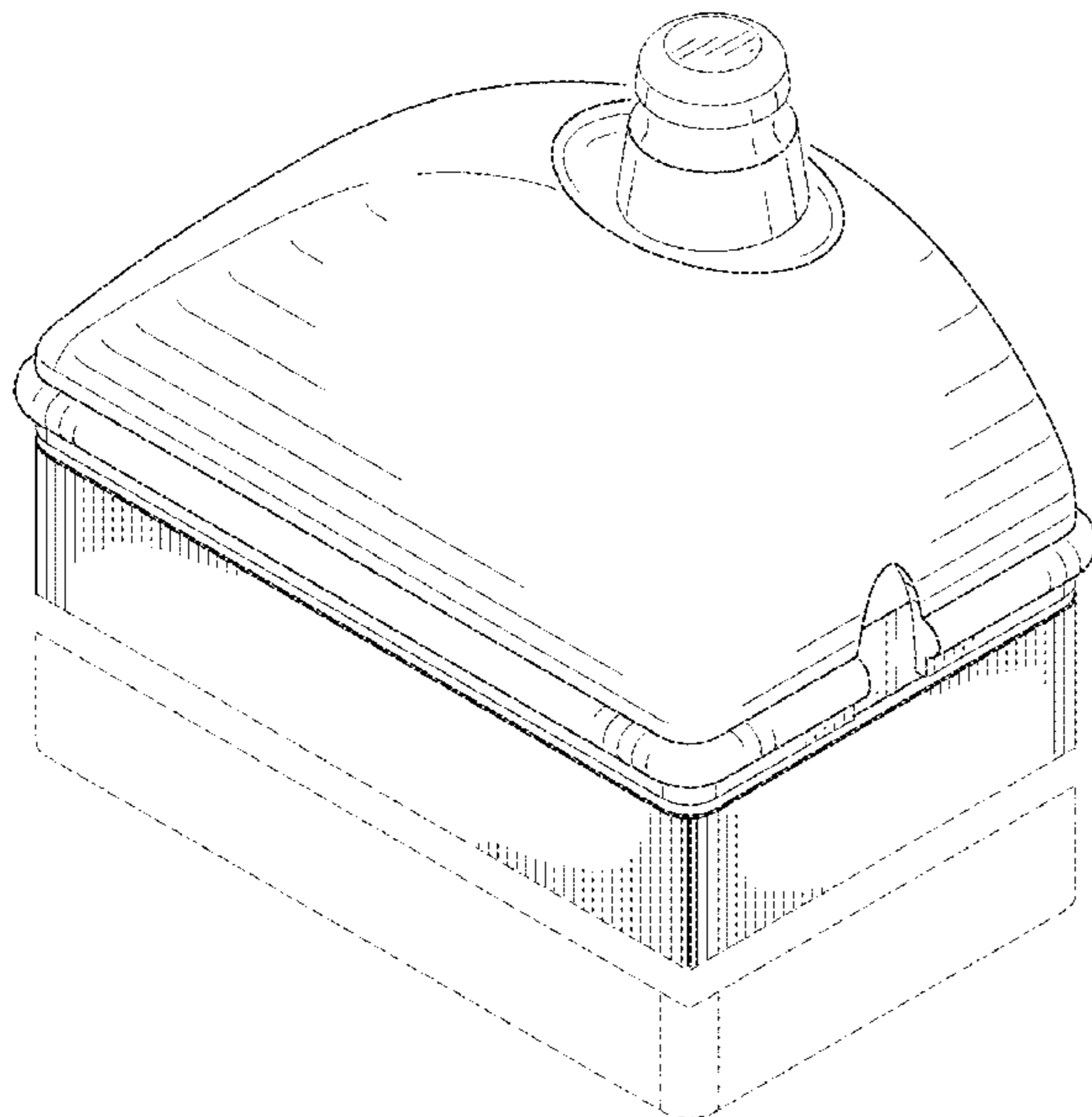
(57) **CLAIM**

The ornamental design for a portable nebulizer, as shown and described.

DESCRIPTION

FIG. 1 is a perspective view of a nebulizer with cap;
 FIG. 2 is a left side view thereof;
 FIG. 3 is a front view thereof;
 FIG. 4 is a rear view thereof;
 FIG. 5 is a right side view thereof;
 FIG. 6 is a top view thereof;
 FIG. 7 is a bottom view thereof;
 FIG. 8 is a perspective view of the nebulizer with cap off;
 FIG. 9 is a left side view of the nebulizer with cap off;
 FIG. 10 is a front view of the nebulizer with cap off;
 FIG. 11 is a rear view of the nebulizer with cap off;
 FIG. 12 is a right side view of the nebulizer with cap off; and,
 FIG. 13 is a top view of the nebulizer with cap off.
 The broken line showing of portions of the article is included for the purposes of illustrating structural environment and forms no part of the claimed design.

1 Claim, 8 Drawing Sheets



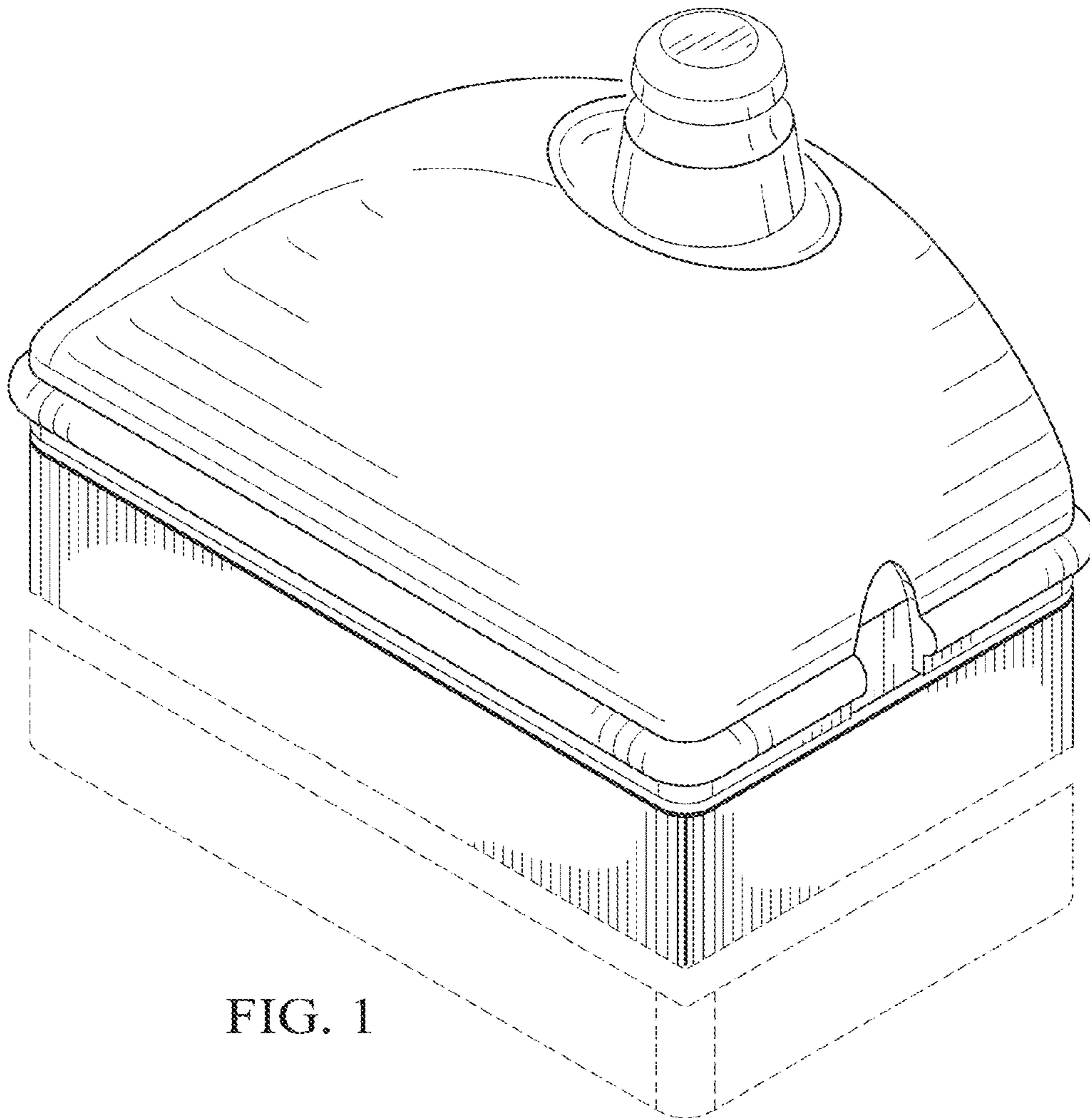


FIG. 1

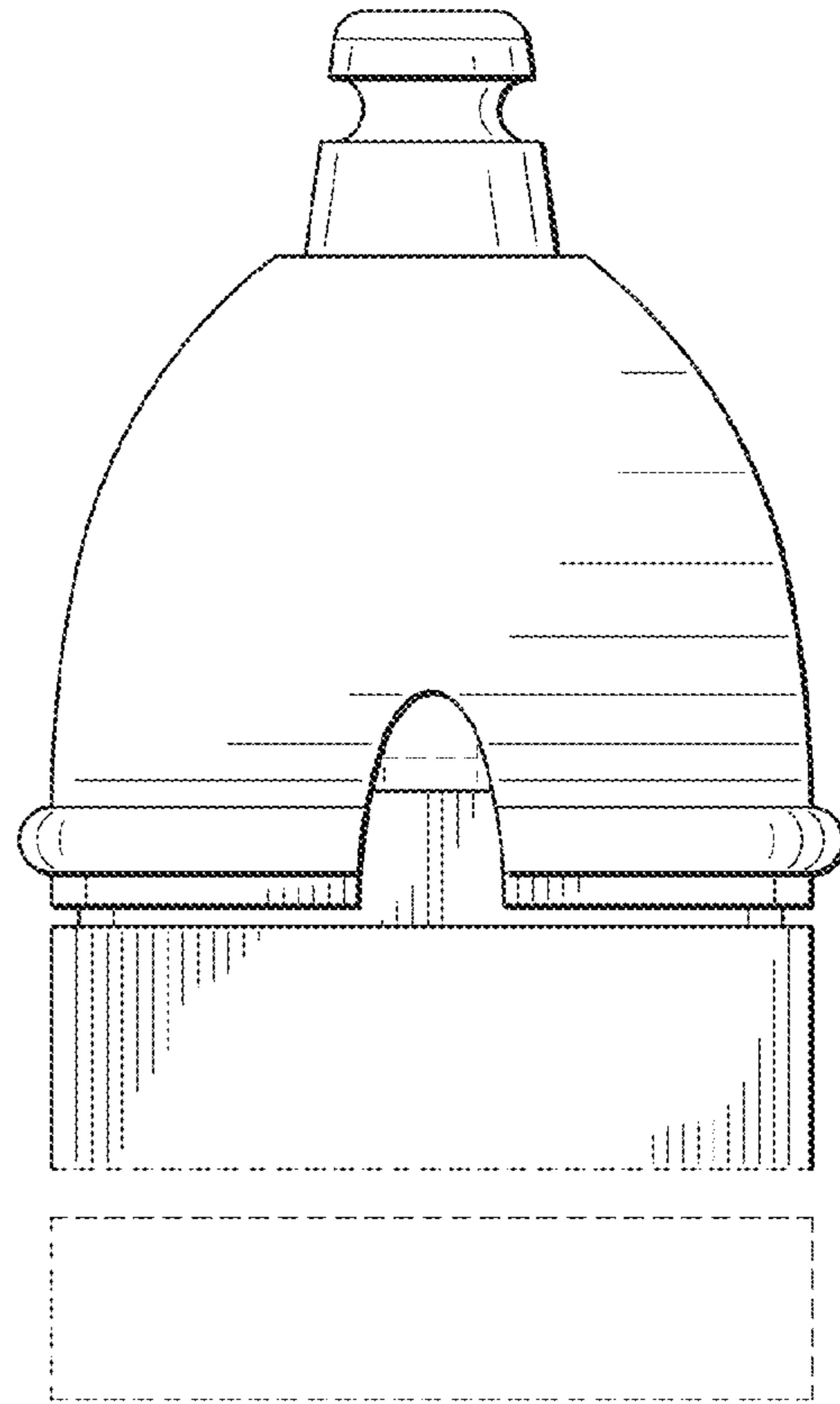


FIG. 2

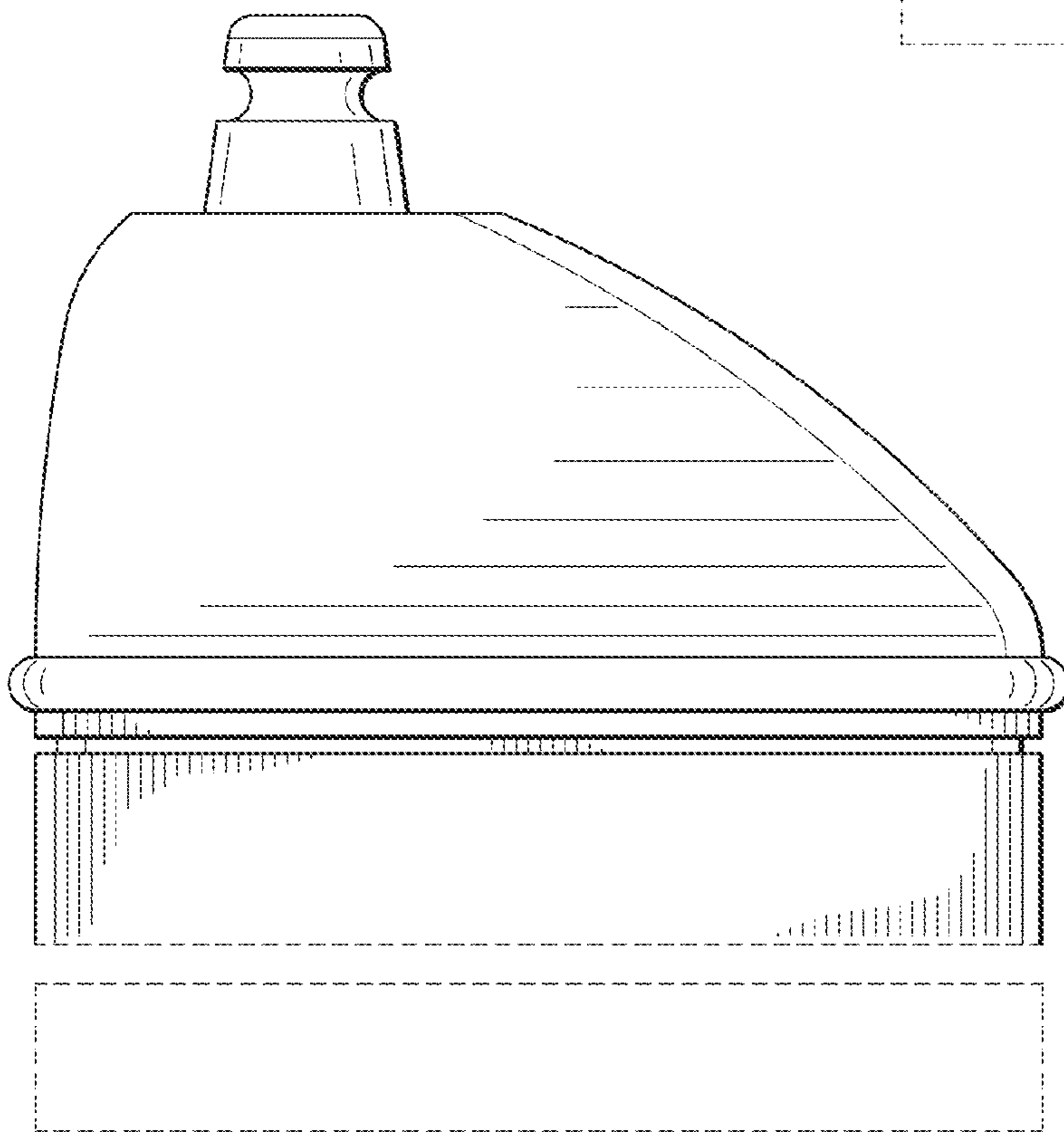


FIG. 3

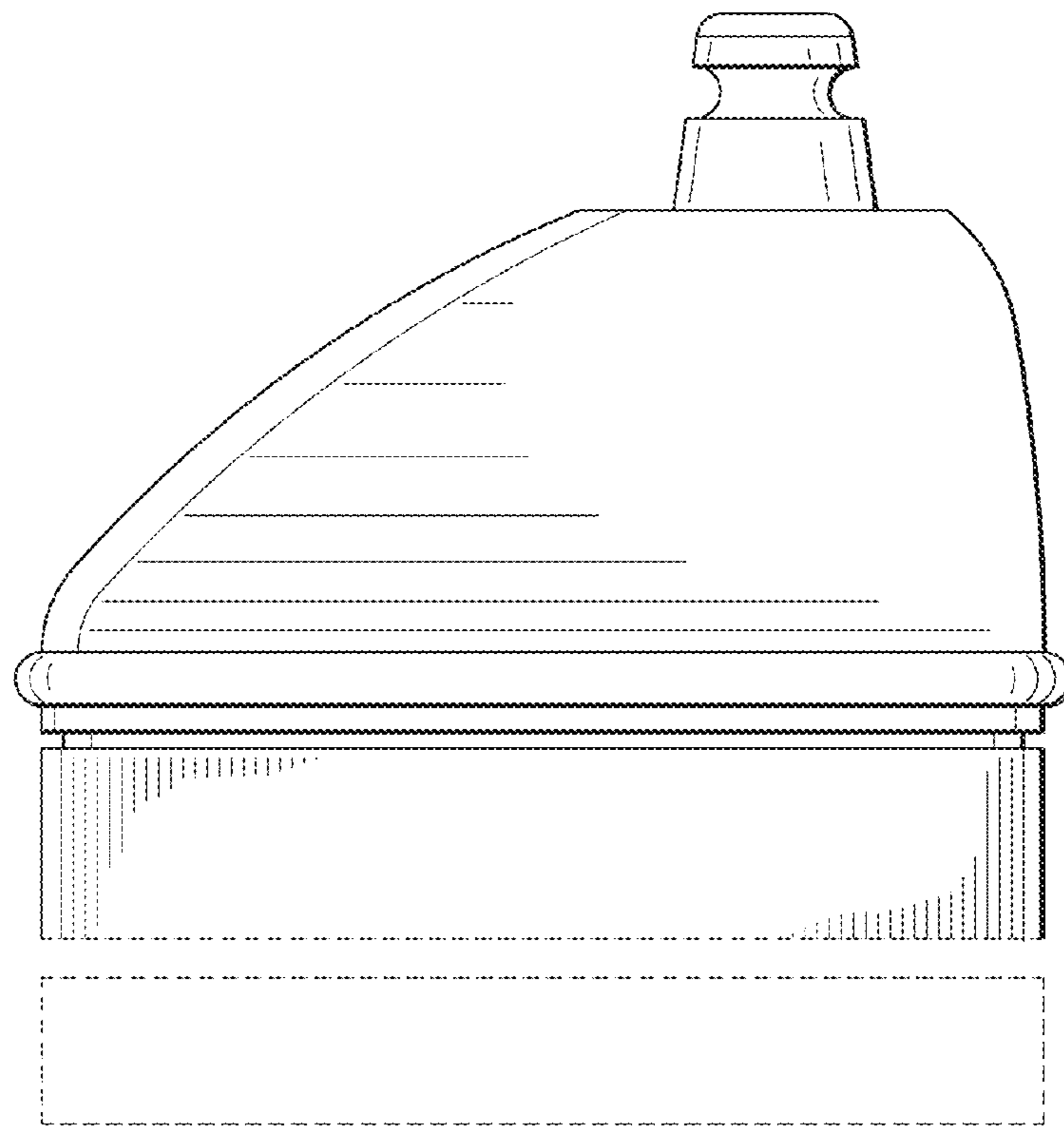


FIG. 4

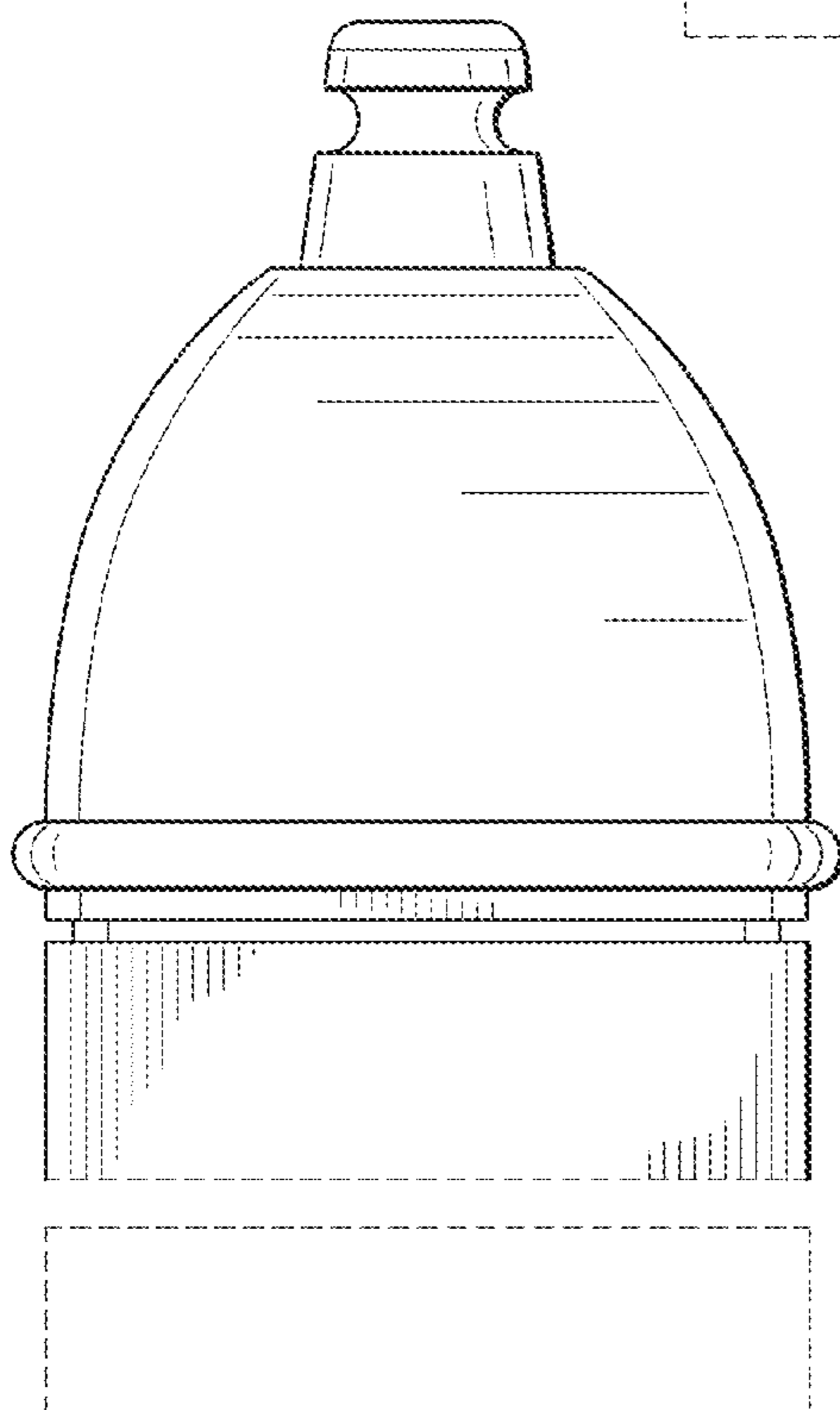


FIG. 5

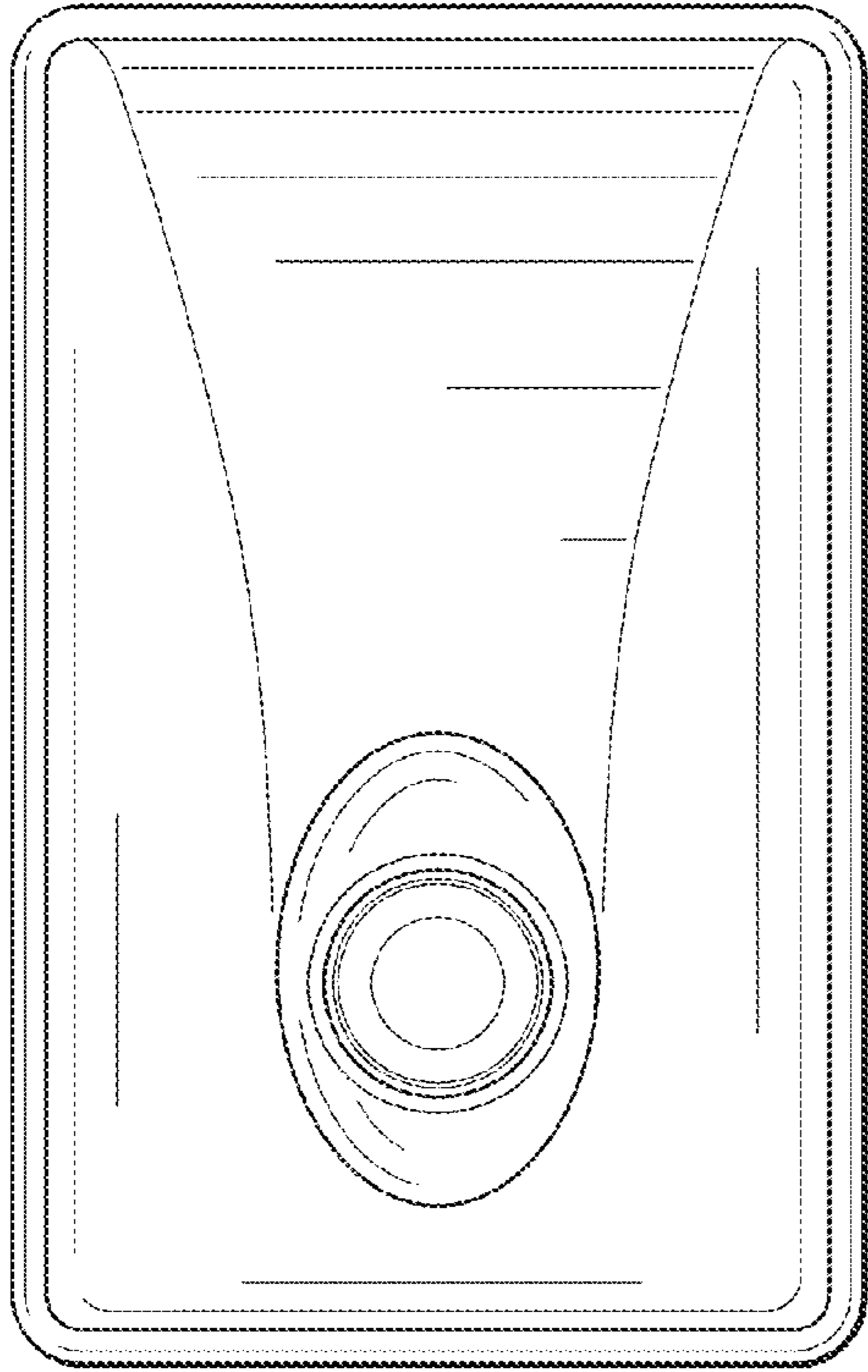


FIG. 6

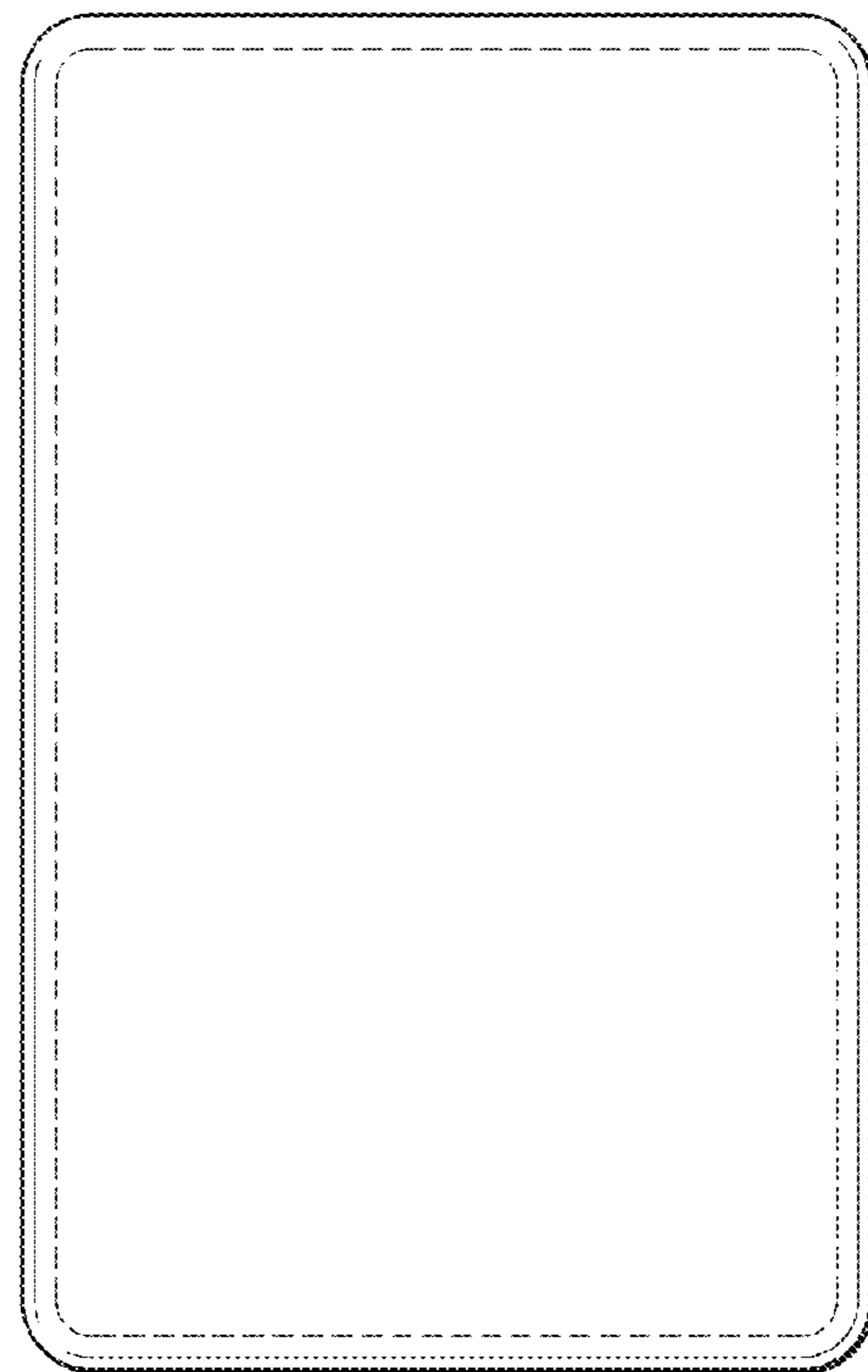


FIG. 7

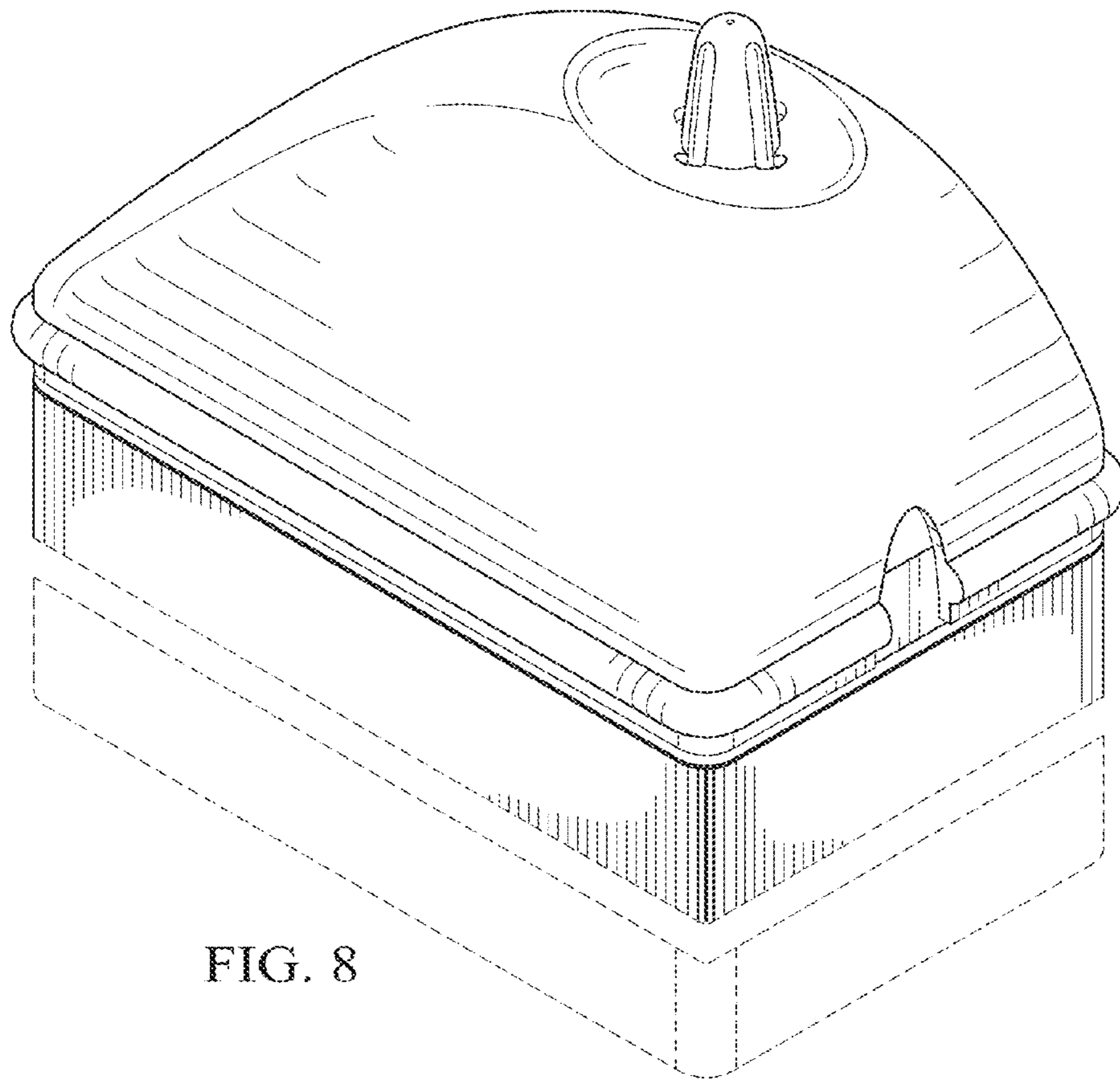


FIG. 8

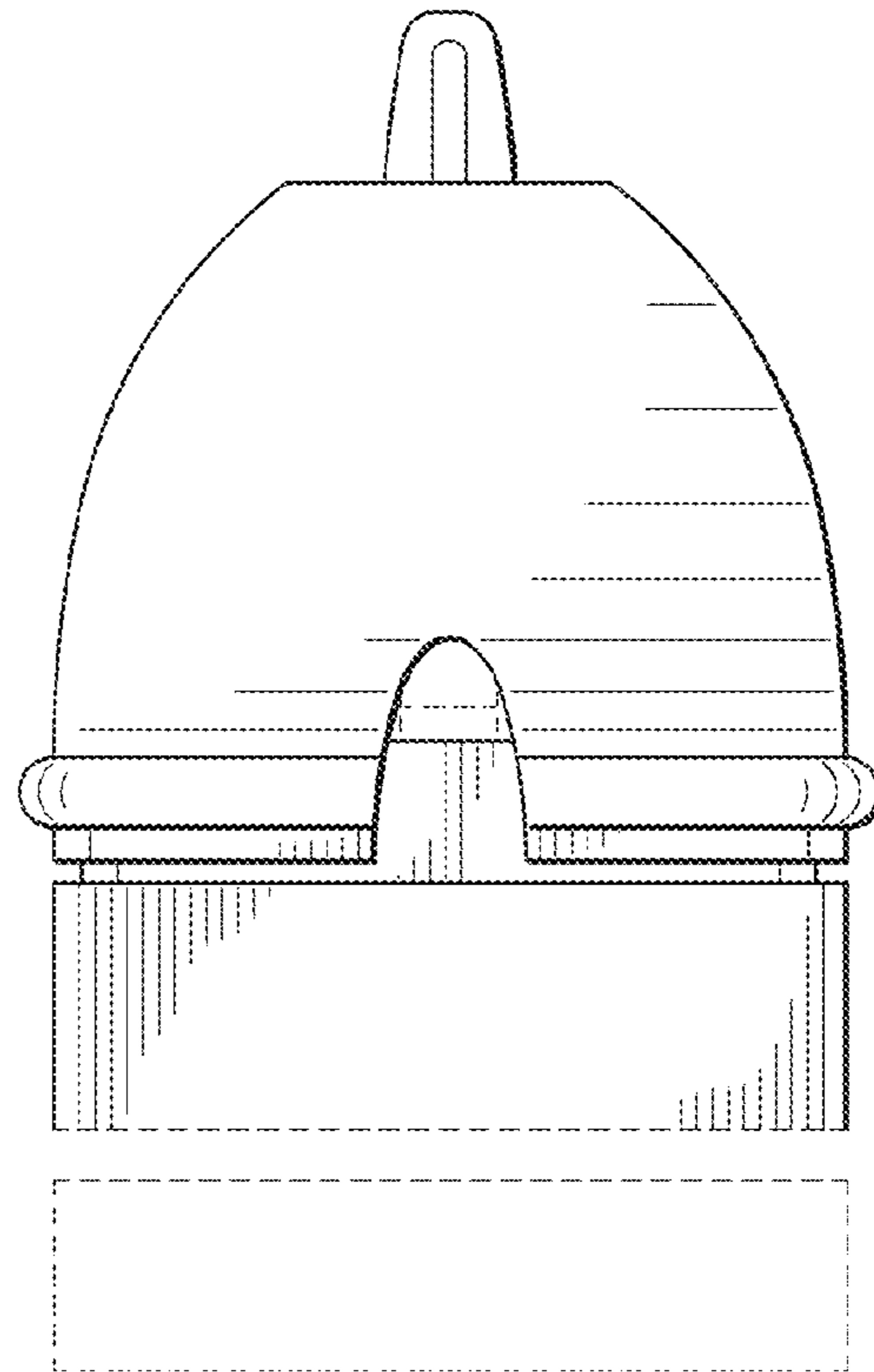


FIG. 9

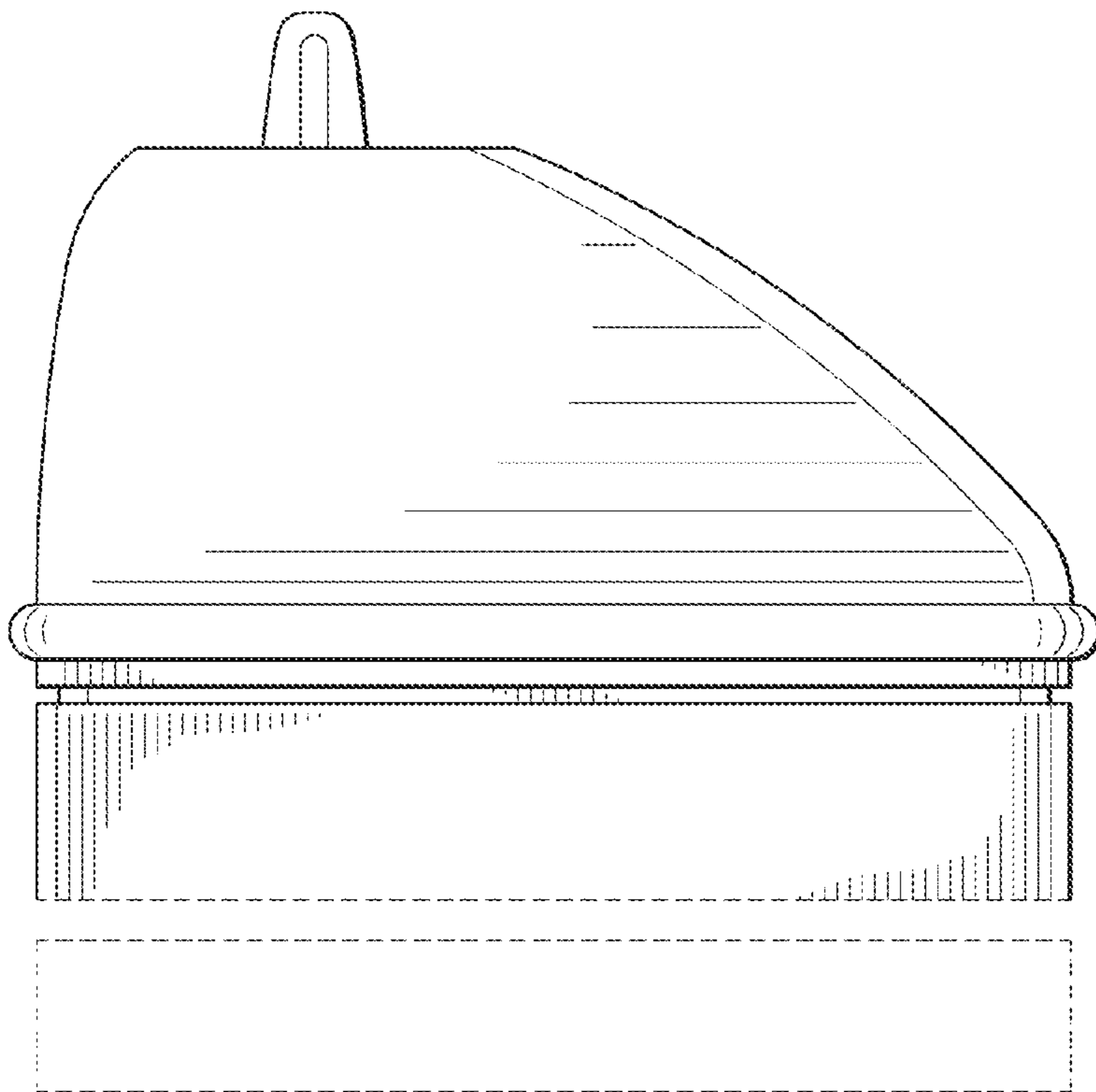


FIG. 10

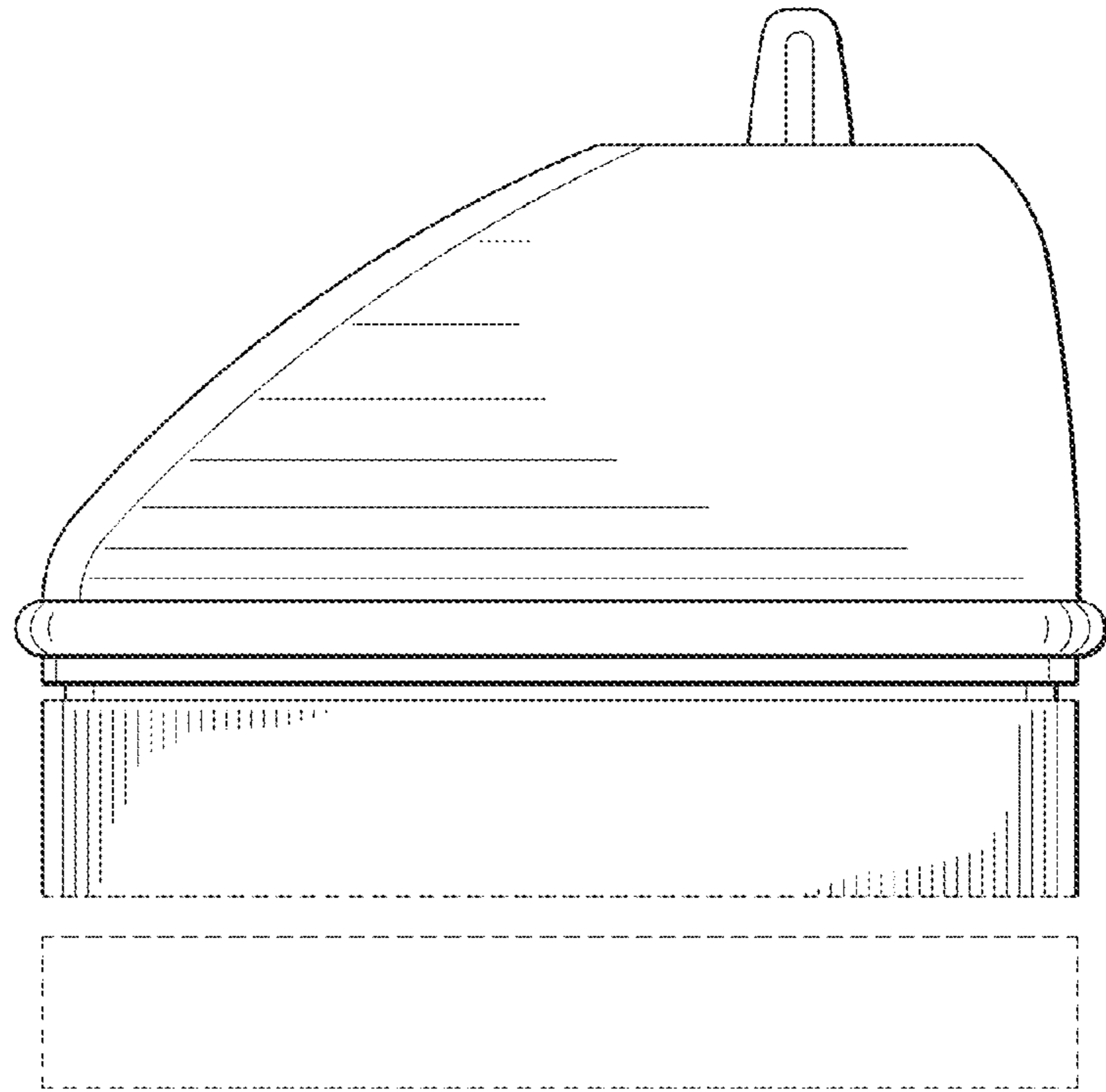


FIG. 11

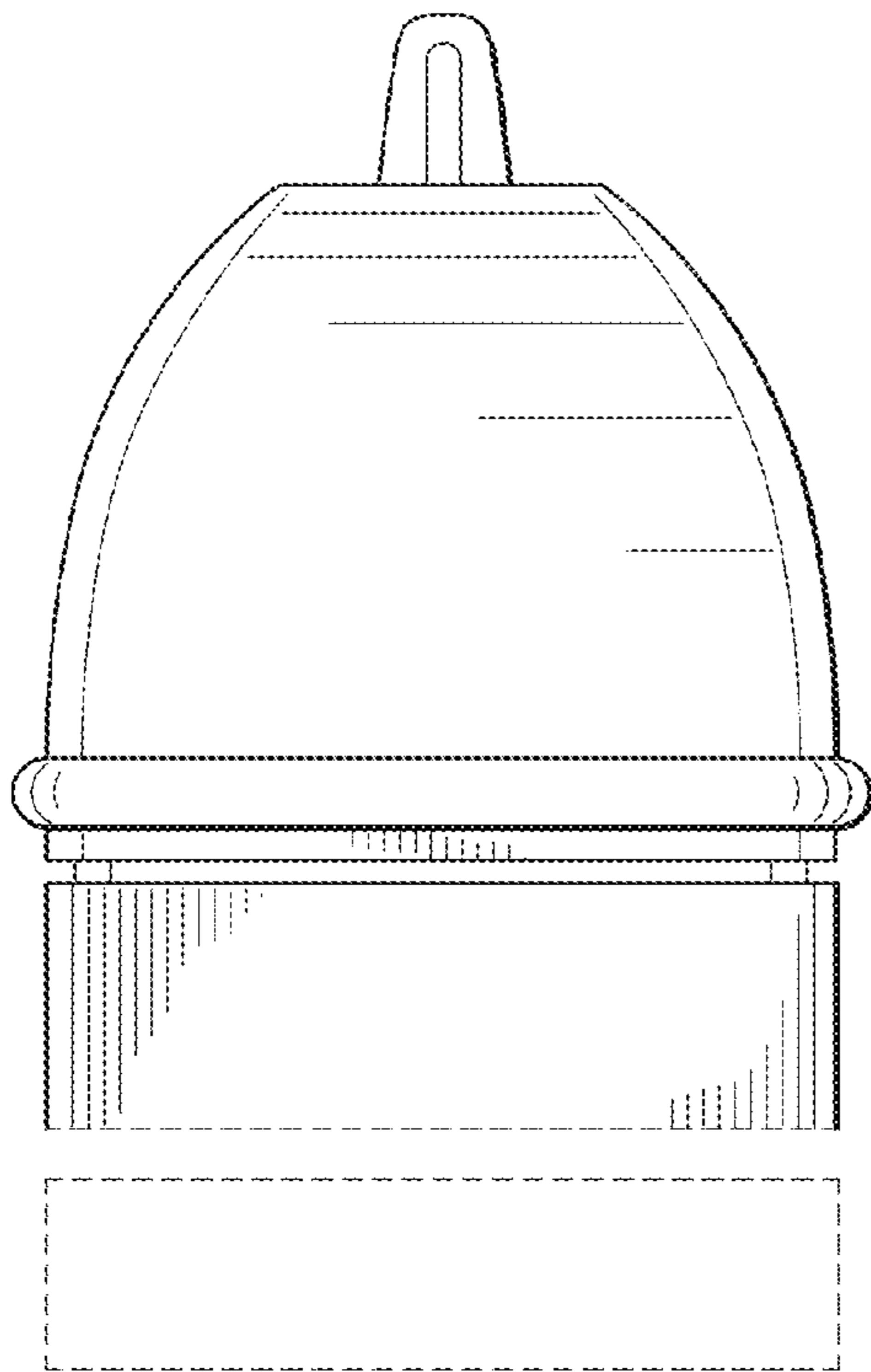


FIG. 12

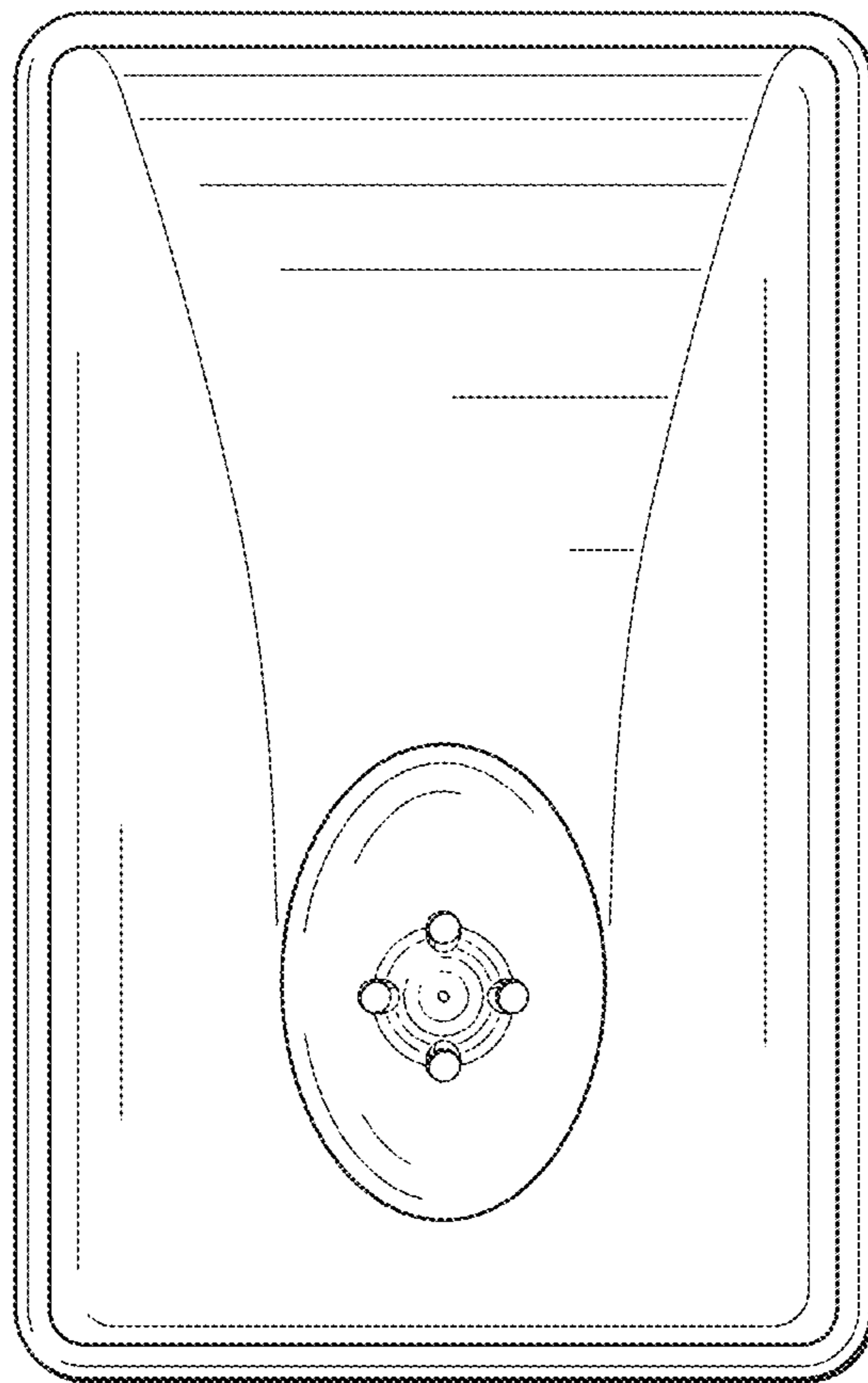


FIG. 13