



US00D704823S

(12) **United States Design Patent**  
**Rindner**

(10) **Patent No.:** **US D704,823 S**

(45) **Date of Patent:** **\*\* May 13, 2014**

(54) **ODOR ELIMINATING NOSE CLIP**

(71) Applicant: **Mark Rindner**, New York, NY (US)

(72) Inventor: **Mark Rindner**, New York, NY (US)

(\*\*) Term: **14 Years**

(21) Appl. No.: **29/464,681**

(22) Filed: **Aug. 20, 2013**

(51) **LOC (10) Cl.** ..... **24-04**

(52) **U.S. Cl.**  
USPC ..... **D24/106**

(58) **Field of Classification Search**  
USPC ..... D24/106, 143, 200; D28/39; 24/545;  
128/201.18, 858; 606/151, 199, 204.45  
See application file for complete search history.

(56) **References Cited**

**U.S. PATENT DOCUMENTS**

598,467	A	2/1898	Carence	
640,629	A	1/1900	Carence	
2,015,617	A	9/1935	Claudius	
2,064,986	A	12/1936	Mezz	
2,681,652	A	6/1954	Laxton	
4,445,508	A	5/1984	Lake	
D343,351	S *	1/1994	Haythornthwaite	D9/689
5,414,911	A *	5/1995	Adams	24/545
5,464,413	A	11/1995	Siska, Jr. et al.	
D375,552	S	11/1996	Davi	
6,015,425	A	1/2000	Altadonna, Jr.	
6,561,184	B2	5/2003	Chiang	
D494,671	S	8/2004	Chiang	
D522,650	S	6/2006	Clawson	
D664,838	S *	8/2012	Parks	D8/395
2002/0020411	A1 *	2/2002	Resnick	128/201.18
2002/0124844	A1	9/2002	Chiang	
2006/0206120	A1 *	9/2006	Clawson	606/151
2011/0023872	A1	2/2011	Evans	
2011/0034950	A1	2/2011	Toriumi	

**OTHER PUBLICATIONS**

<http://www.amazon.com/Morning-Sickness-Soothers-Peppermint-Scented/dp/B0047D7YKK>.

\* cited by examiner

*Primary Examiner* — Ian Simmons

*Assistant Examiner* — Richelle G Shelton

(74) *Attorney, Agent, or Firm* — Goldstein Law Offices, P.C.

(57) **CLAIM**

The ornamental design for an odor eliminating nose clip, as shown and described.

**DESCRIPTION**

FIG. 1 is a perspective view of the first embodiment of the odor eliminating nose clip in full lines.

FIG. 2 is a front elevational view of the odor eliminating nose clip.

FIG. 3 is a rear elevational view thereof.

FIG. 4 is a right side elevational view thereof.

FIG. 5 is a left side elevational view thereof.

FIG. 6 is a top plan view thereof.

FIG. 7 is a bottom plan view thereof.

FIG. 8 is a front elevational view of the odor eliminating nose clip shown in full line on a person's nose. The nose, shown in broken line, is included for the purpose of illustrating environment and forms no part of the claimed design.

FIG. 9 is a perspective view of a second embodiment of the odor eliminating nose clip with a hole to allow a neck strap to be attached, in full lines.

FIG. 10 is a front elevational view thereof.

FIG. 11 is a rear elevational view thereof.

FIG. 12 is a right side elevational view thereof.

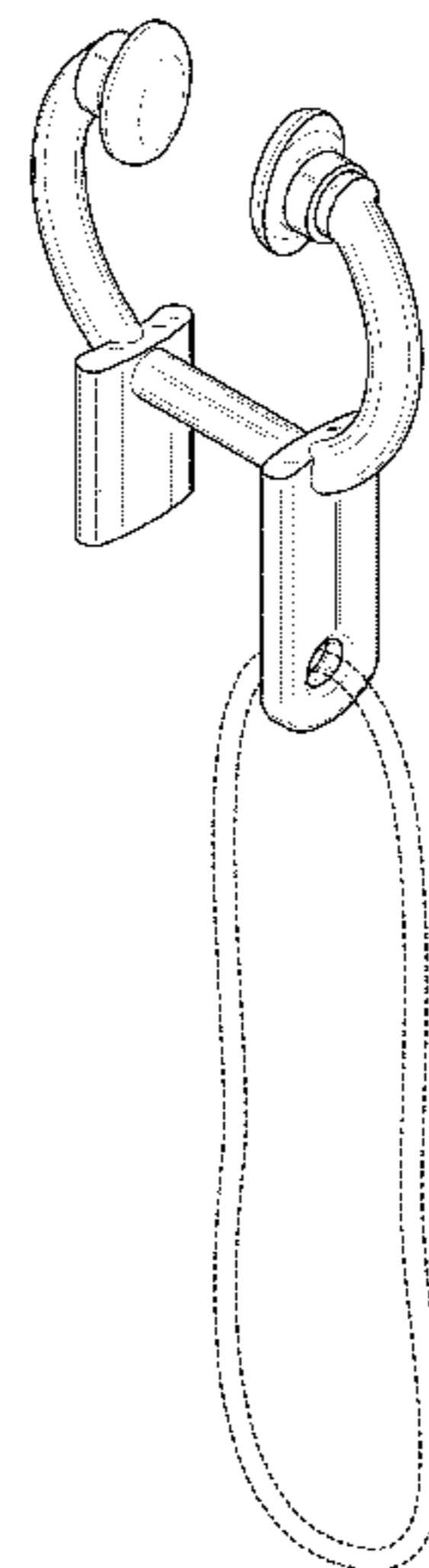
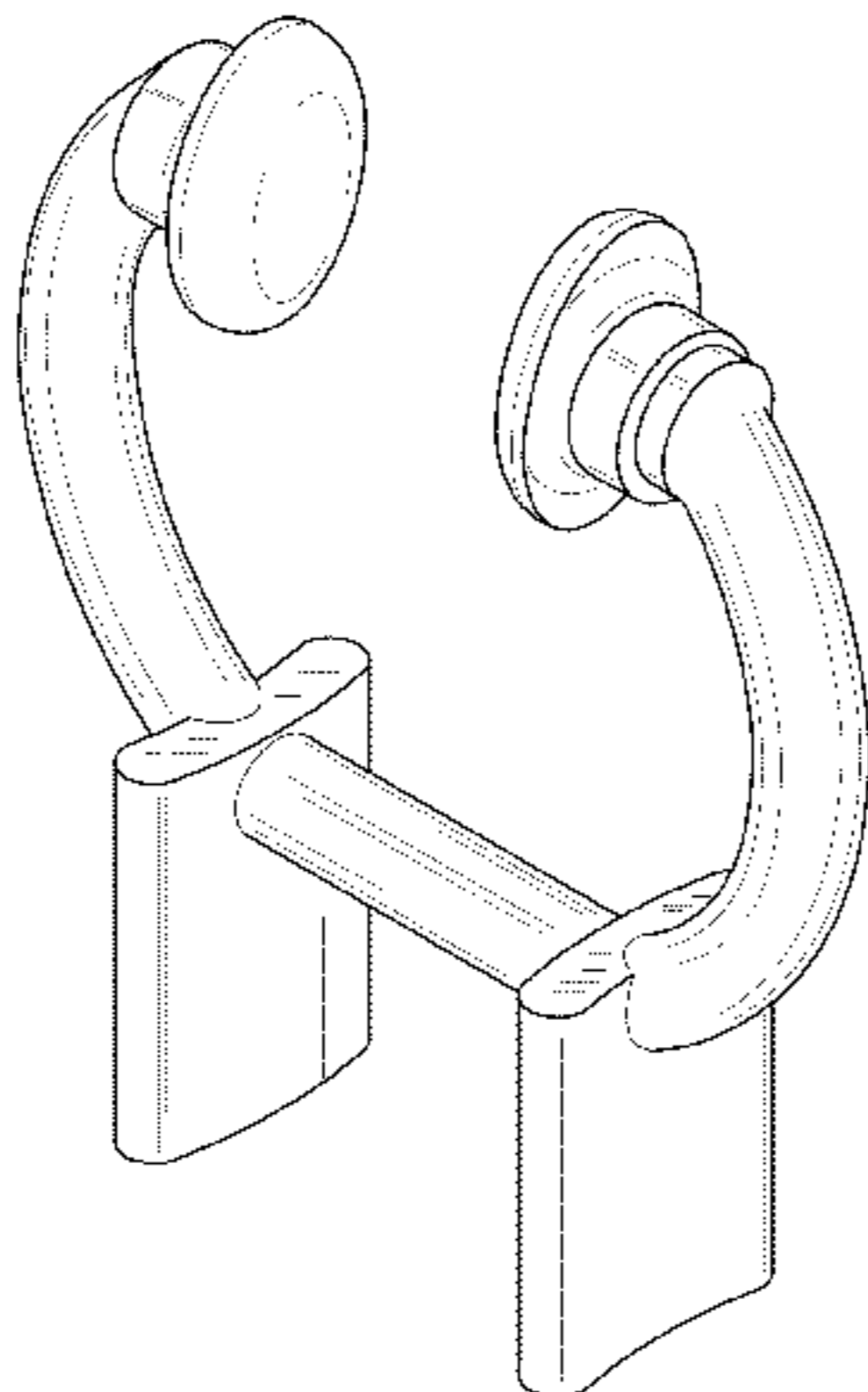
FIG. 13 is a left side elevational view thereof.

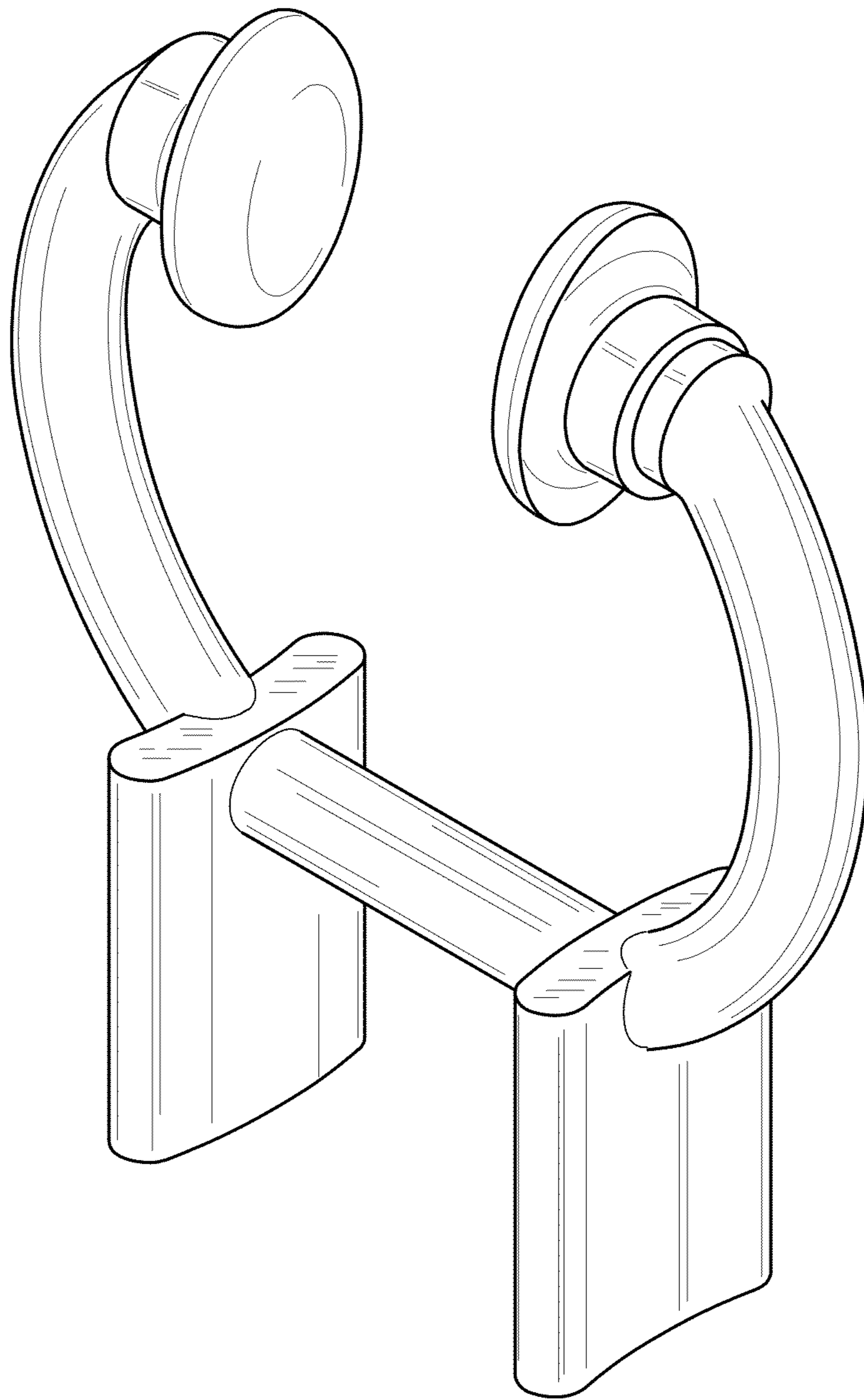
FIG. 14 is a top plan view thereof.

FIG. 15 is a bottom plan view thereof; and,

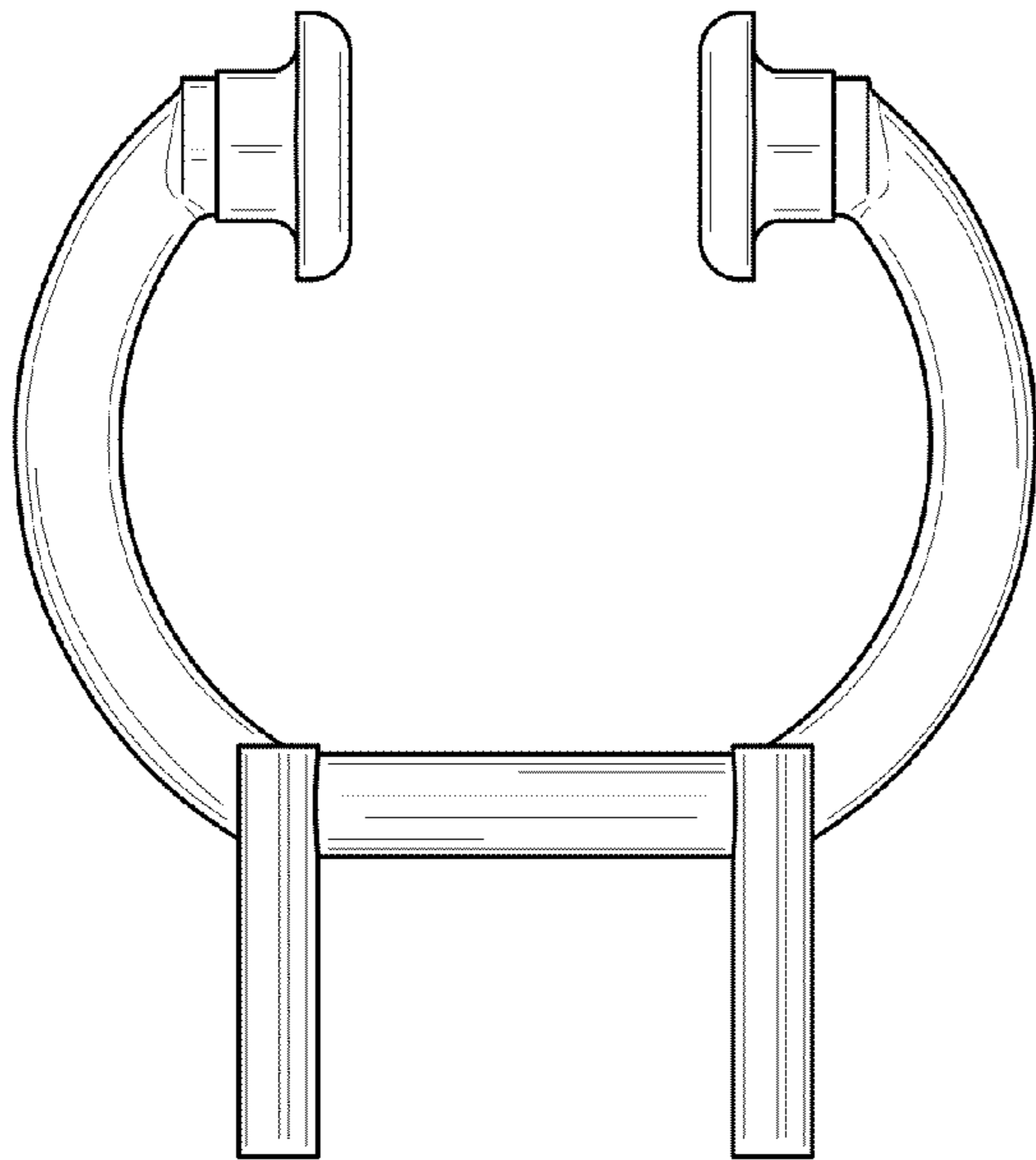
FIG. 16 is a perspective view of the odor eliminating nose clip shown in full line with a hole to allow a neck strap to be attached. The neck strap shown in broken line is included for the purpose of illustrating environment and forms no part of the claimed design.

**1 Claim, 10 Drawing Sheets**

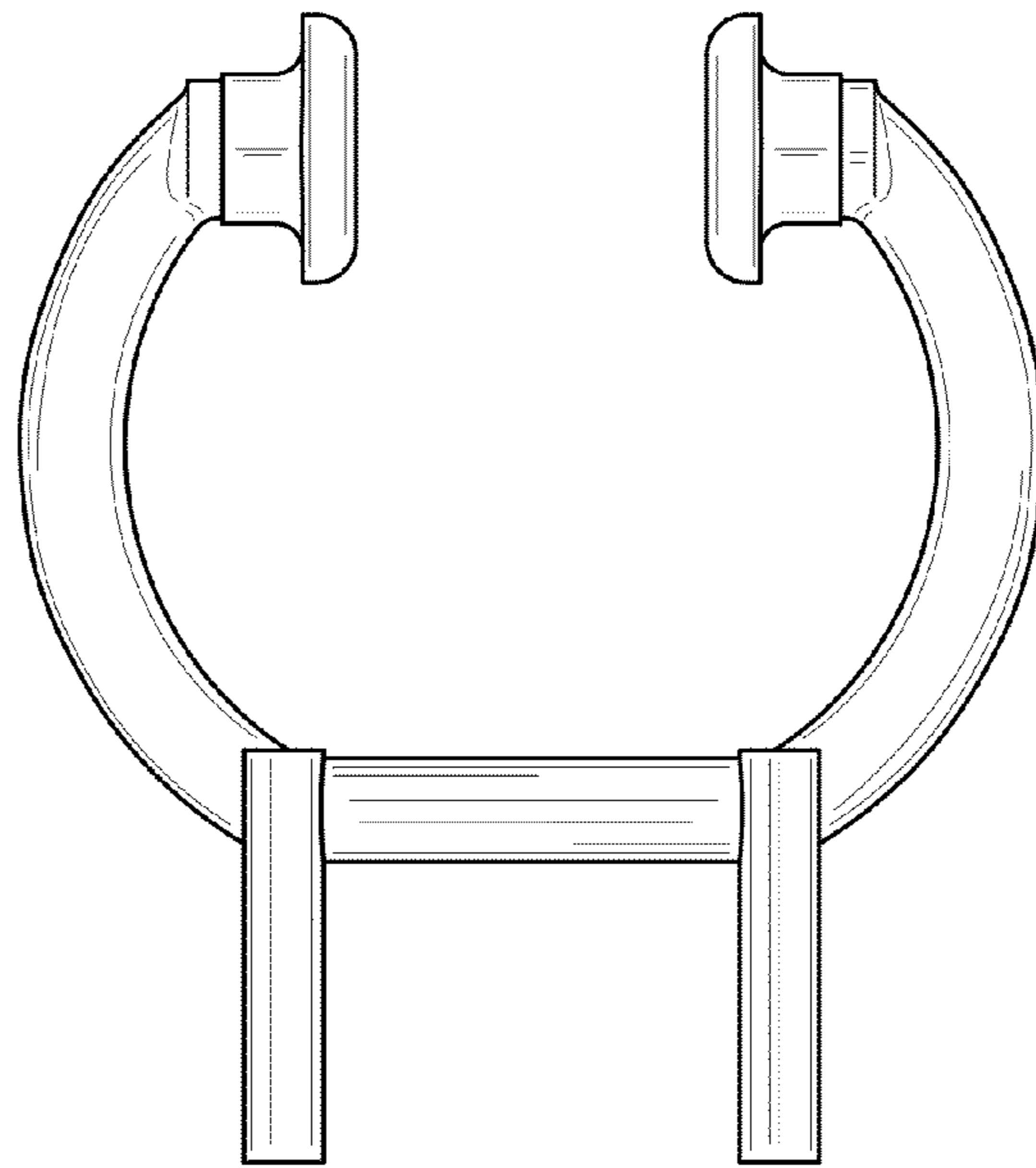




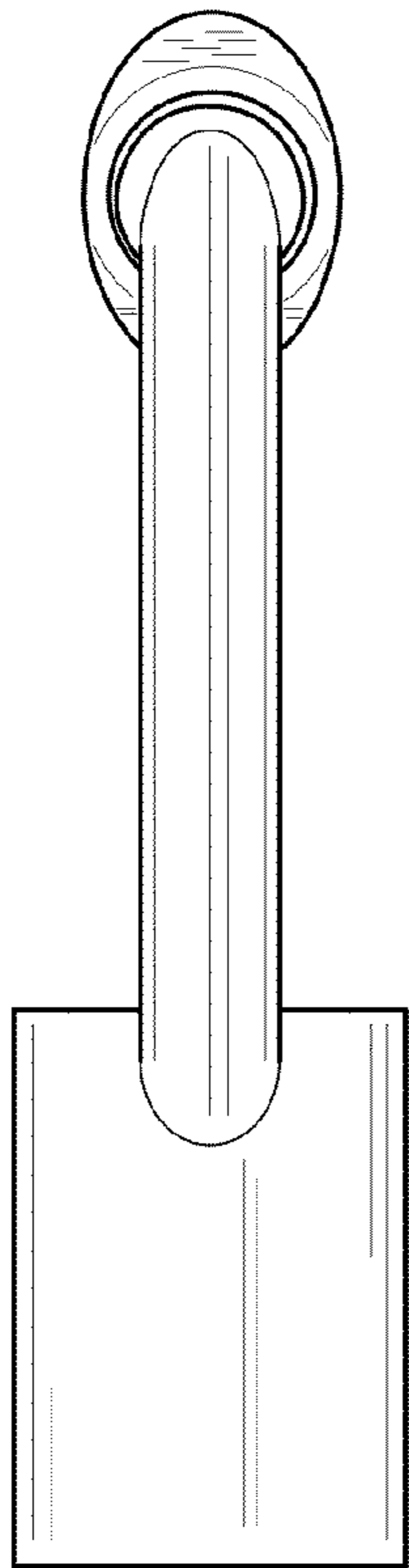
*FIG. 1*



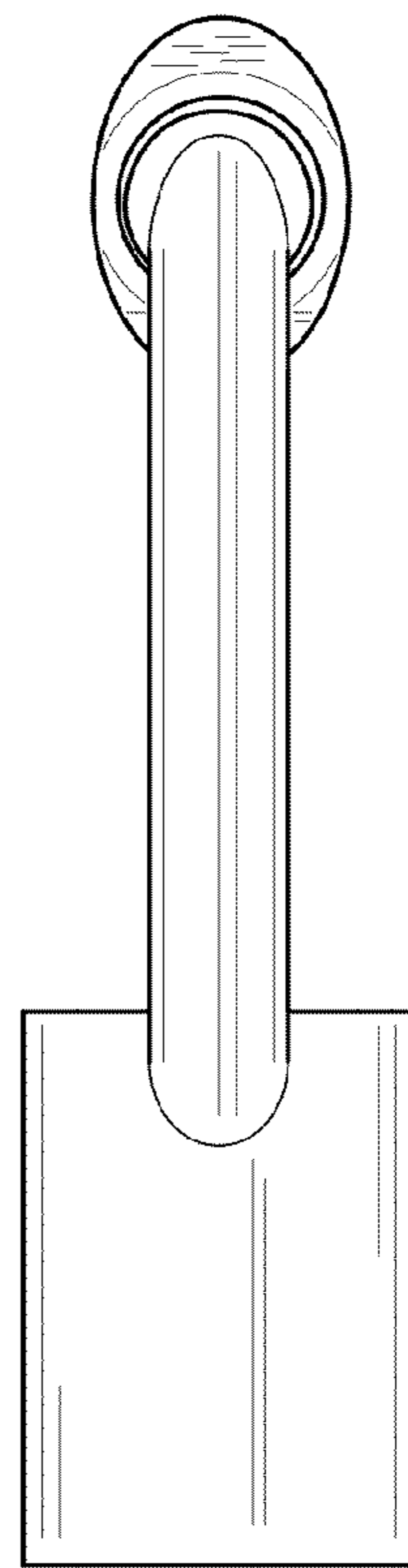
*FIG. 2*



*FIG. 3*



*FIG. 4*



*FIG. 5*

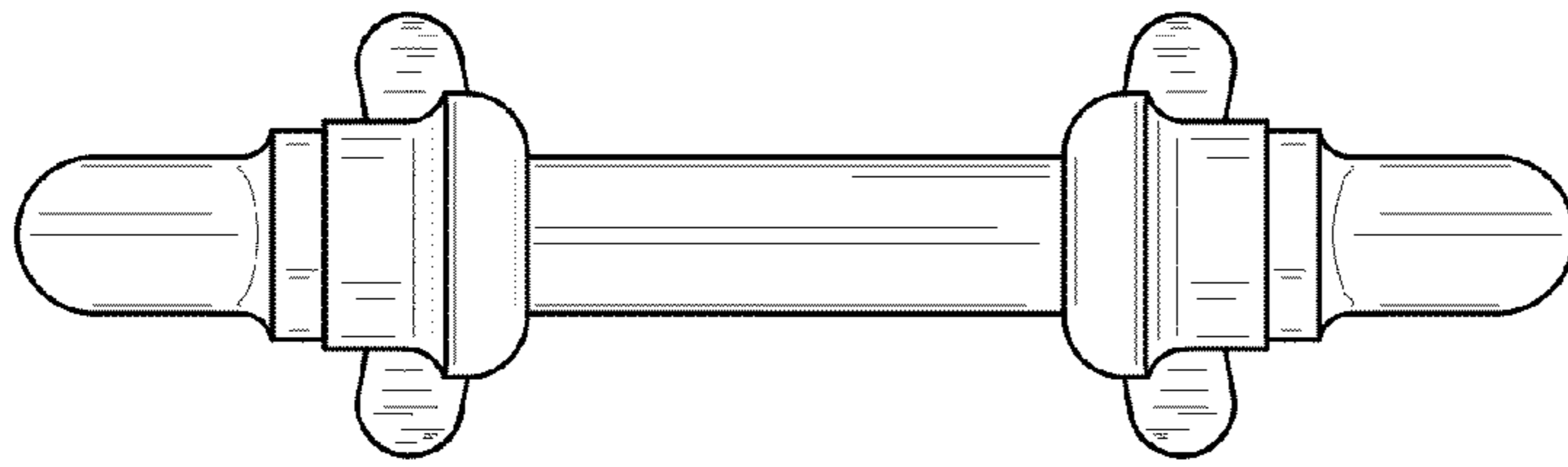


FIG. 6

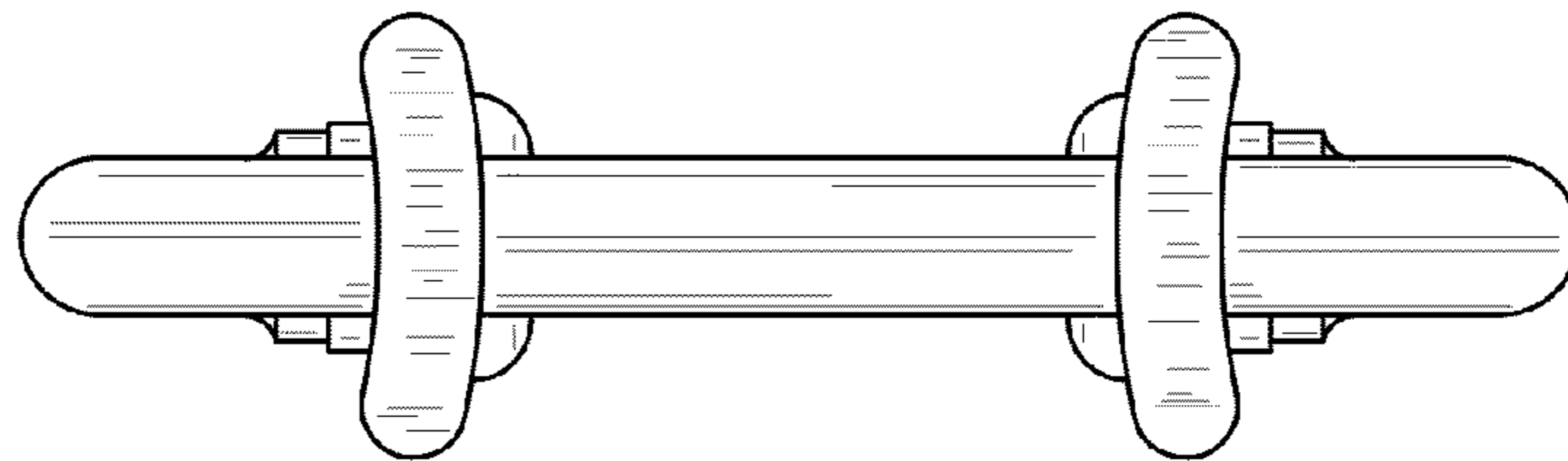


FIG. 7

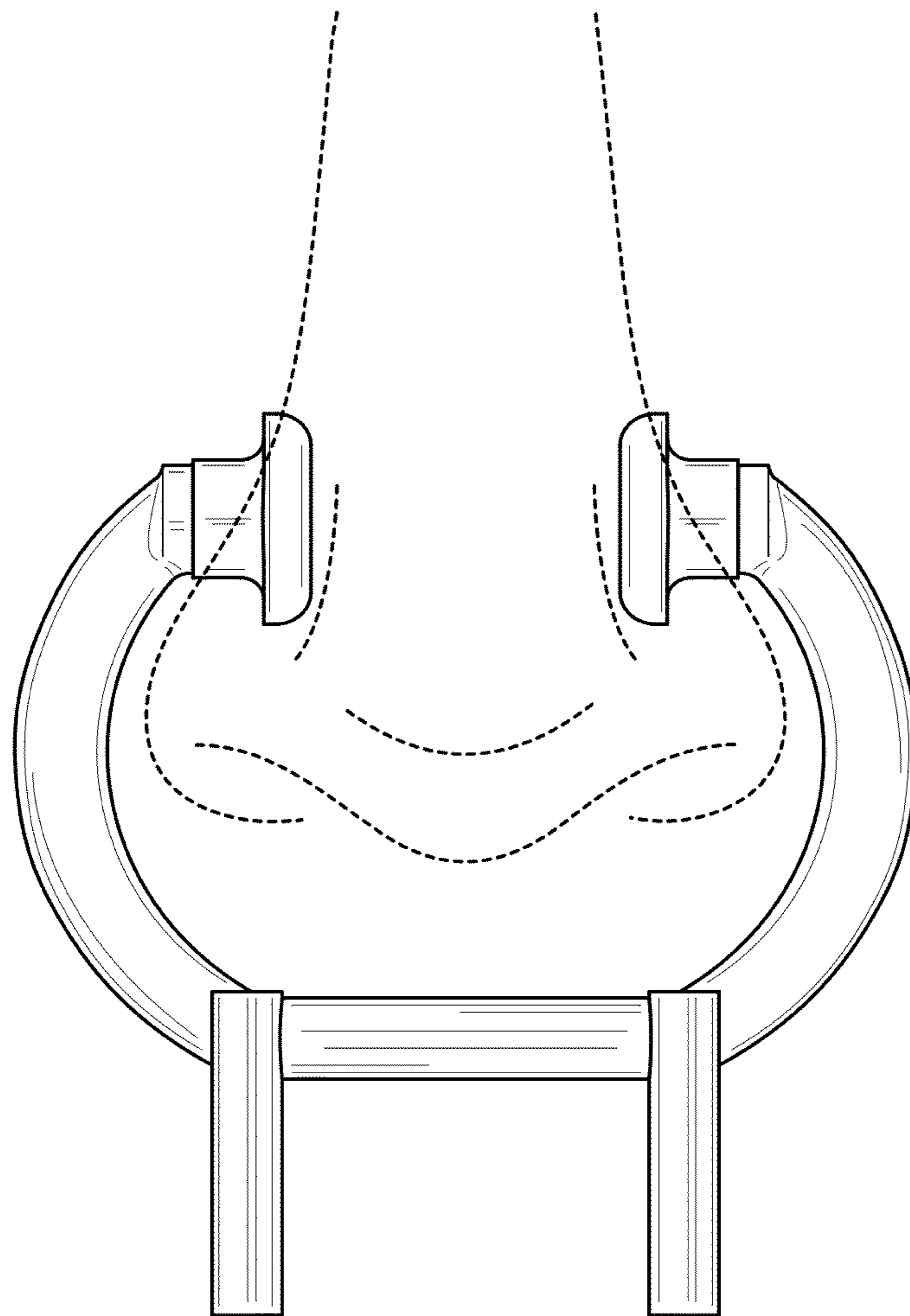


FIG. 8

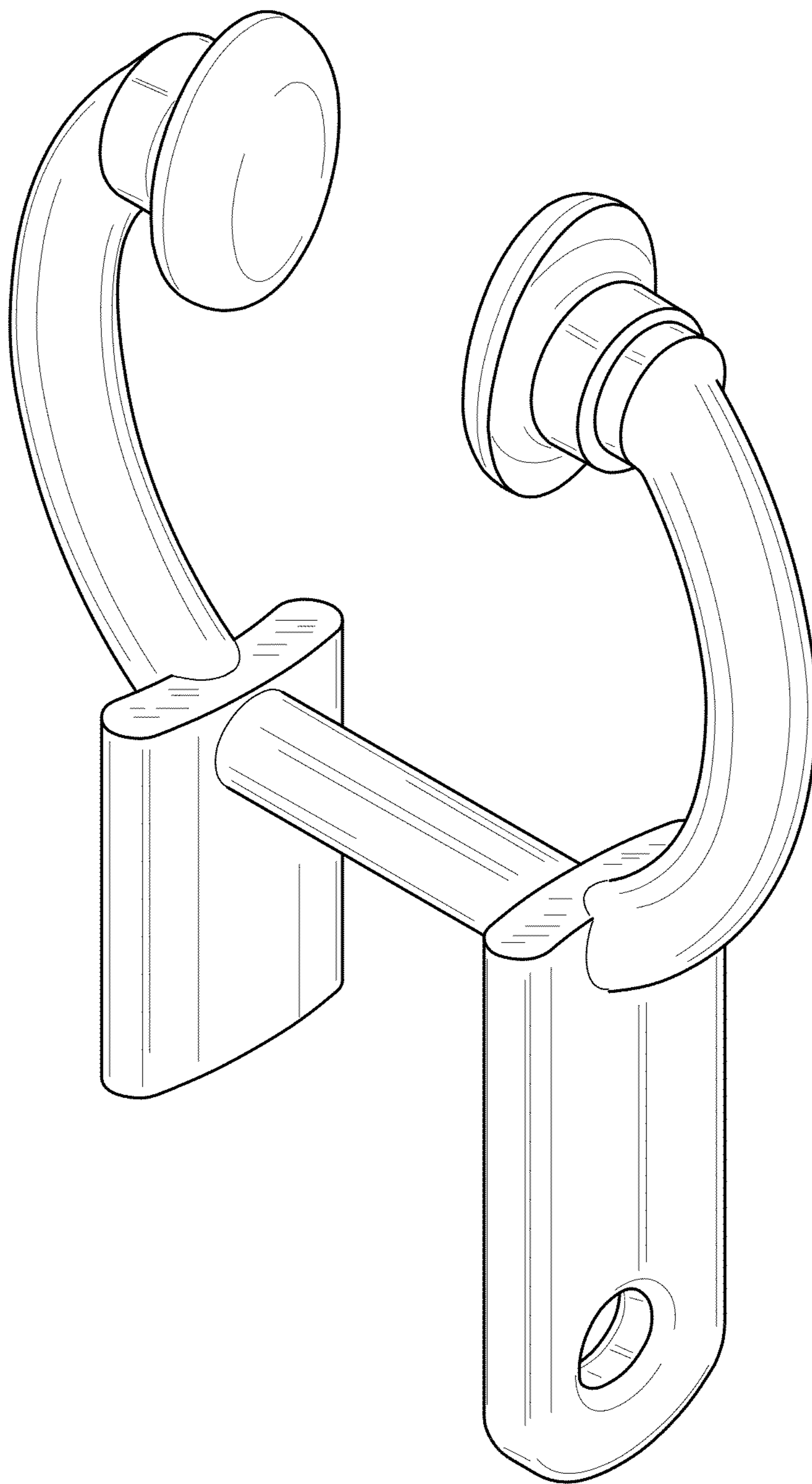
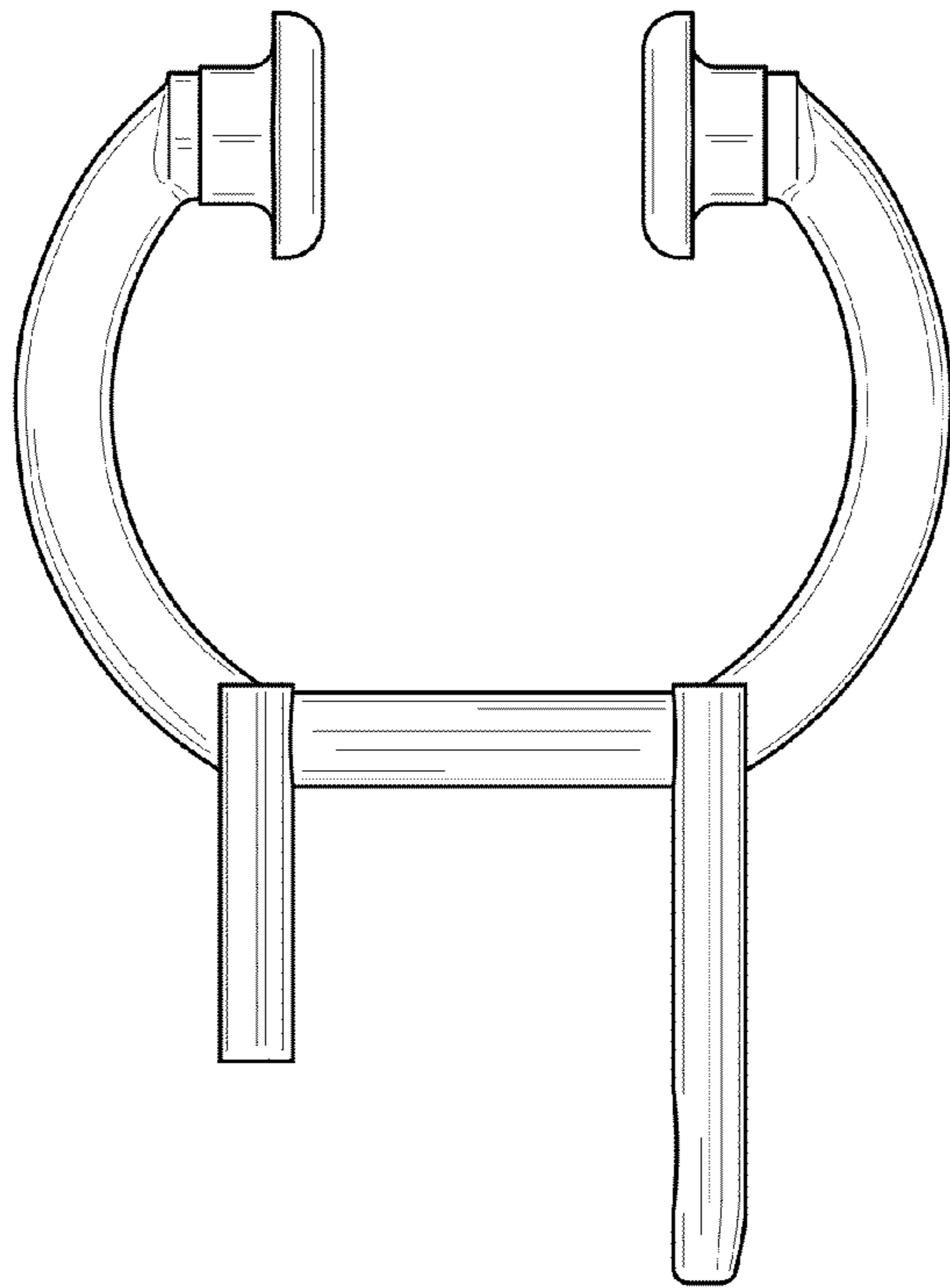
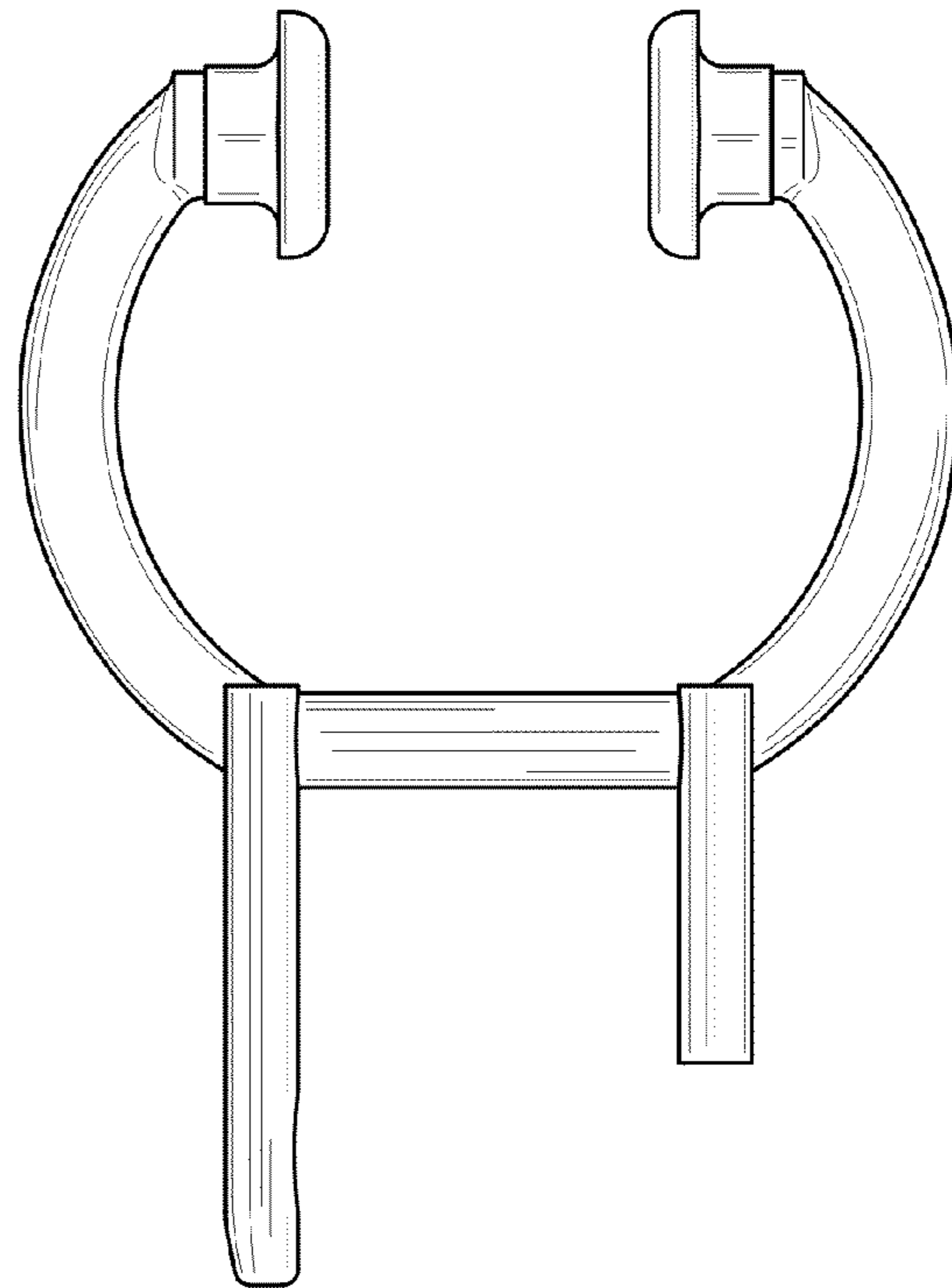


FIG. 9

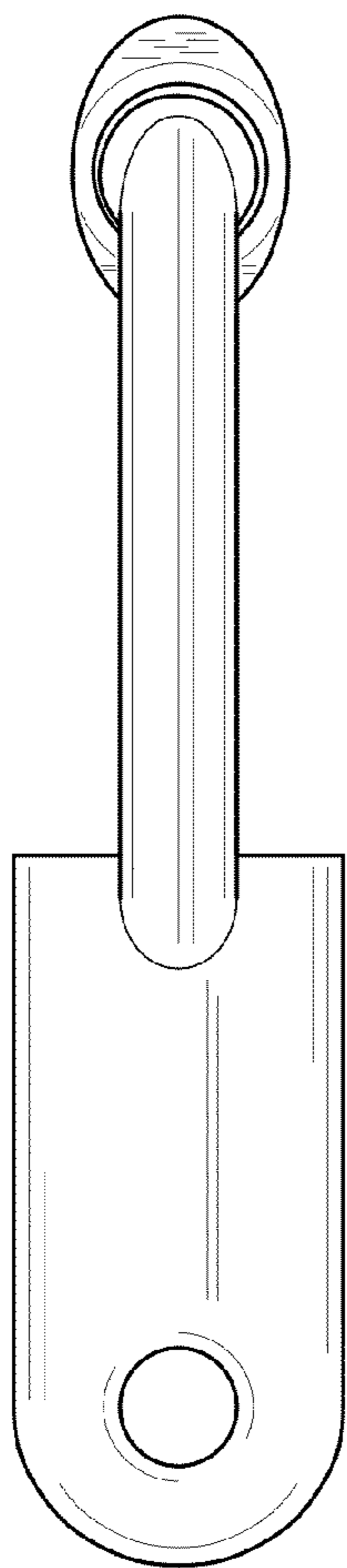


*FIG. 10*

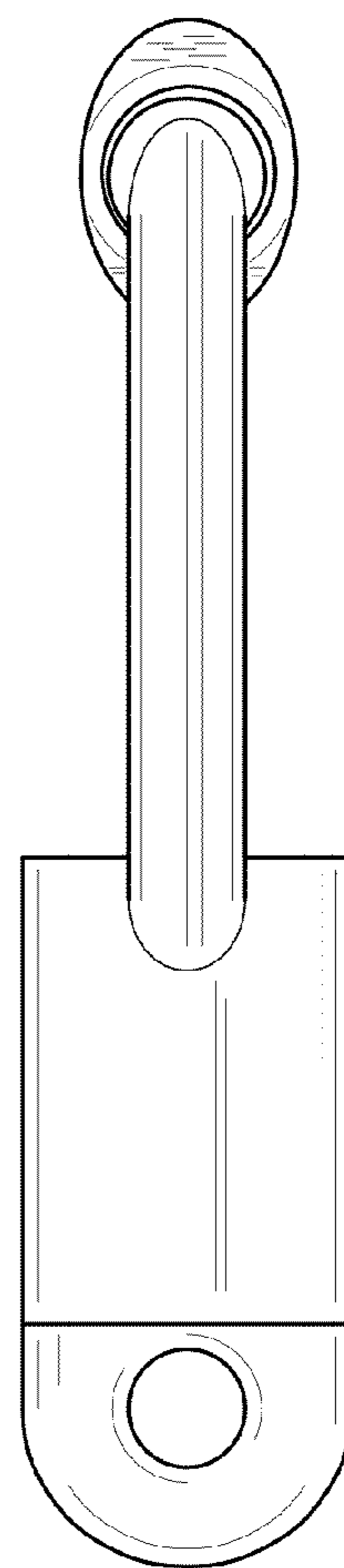


*FIG. 11*

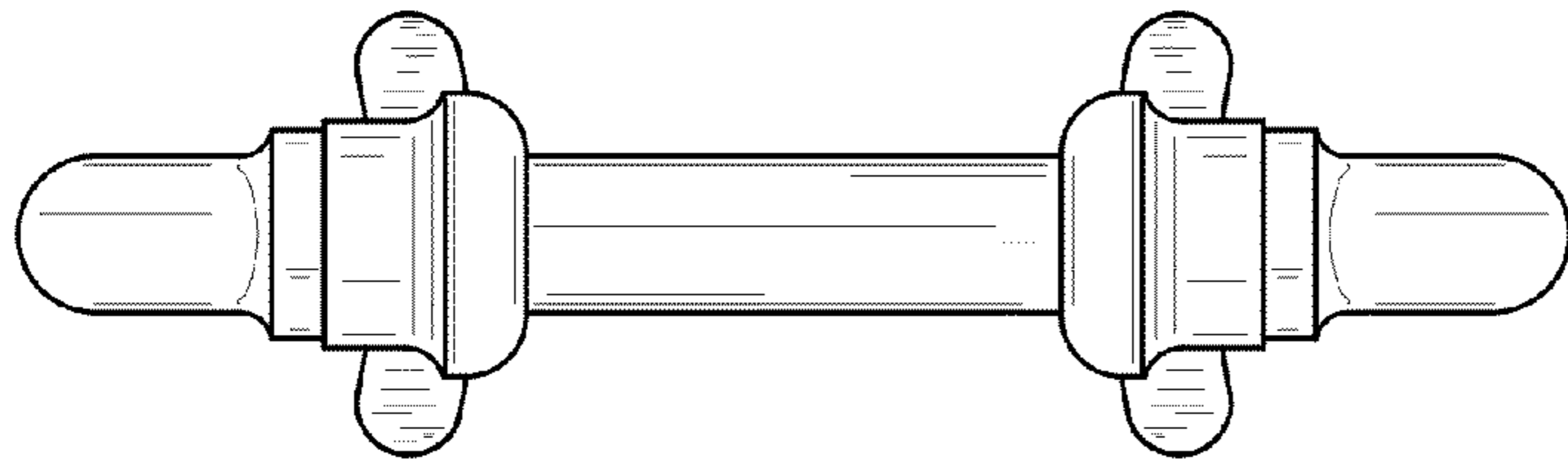




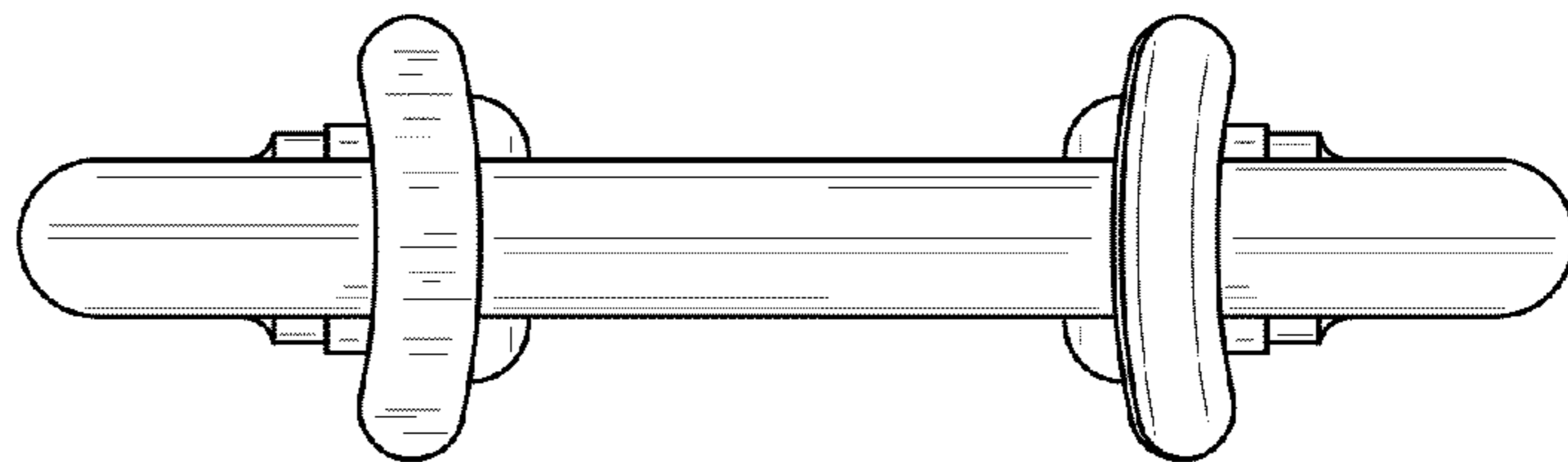
*FIG. 12*



*FIG. 13*



*FIG. 14*



*FIG. 15*

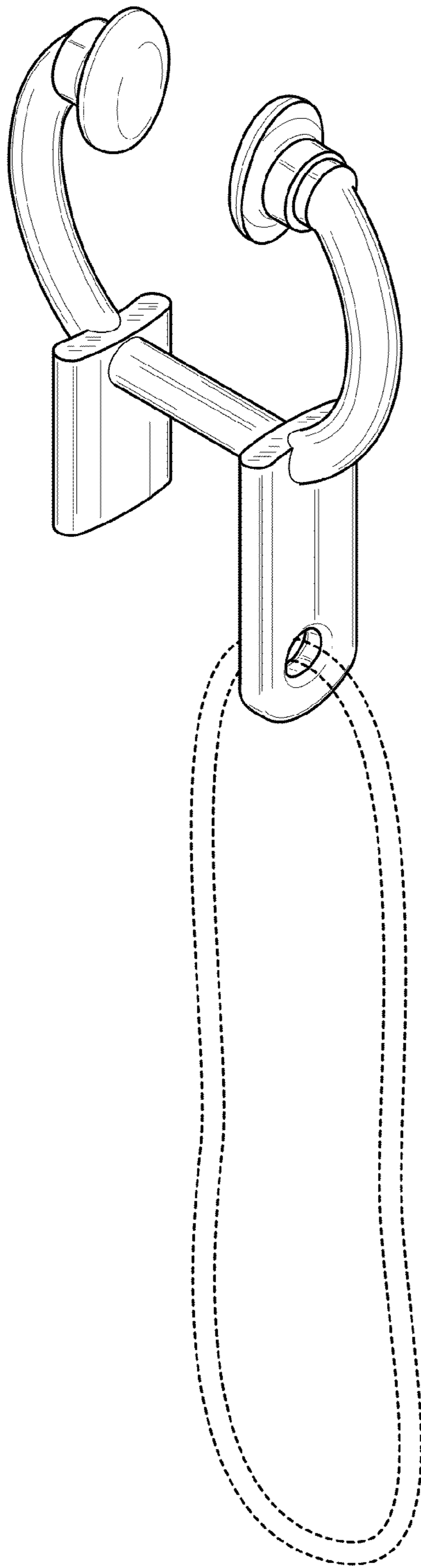


FIG. 16