



US00D704822S

(12) **United States Design Patent**
Wang

(10) **Patent No.:** **US D704,822 S**

(45) **Date of Patent:** **** May 13, 2014**

(54) **CEILING FAN MOTOR HOUSING, FAN
BLADE BRACKET AND LIGHT KIT
ASSEMBLY**

(75) Inventor: **Cliff Wang**, Taichung (TW)

(73) Assignee: **Air Cool Industrial Co., Ltd.**, Taichung
(TW)

(**) Term: **14 Years**

(21) Appl. No.: **29/428,613**

(22) Filed: **Aug. 1, 2012**

(51) **LOC (10) Cl.** **23-04**

(52) **U.S. Cl.**
USPC **D23/411**

(58) **Field of Classification Search**
USPC D23/411-414, 324, 331, 343, 385,
D23/370-384, 387, 499; D8/323, 327, 349,
D8/354, 373, 380-387, 394, 397, 398;
D11/78.1, 86; D26/59, 72, 51, 73,
D26/80-83, 84-86, 88, 90; 16/265, 382,
16/388, 389; 248/188, 243, 398; 392/361,
392/364; 416/5, 170 R, 214 R, 184, 206,
416/207, 210 R, 220 R, 244 R, 248

See application file for complete search history.

(56) **References Cited**

U.S. PATENT DOCUMENTS

D45,313	S	*	2/1914	Schoenhardt	D26/88
D82,179	S	*	9/1930	Ringwald	D23/379
4,391,570	A	*	7/1983	Stutzman	417/353
D298,454	S	*	11/1988	Clyde-Mason	D23/385
D324,924	S	*	3/1992	Bengochea	D26/88
5,669,760	A	*	9/1997	Chen	416/210 R
6,022,189	A	*	2/2000	Yu	416/5
6,036,331	A	*	3/2000	Acquisto	362/96
D424,188	S	*	5/2000	Liu	D23/377
6,193,384	B1	*	2/2001	Stein	362/96

D459,525	S	*	6/2002	Barry	D26/88
D485,348	S	*	1/2004	Stauffer	D23/411
D510,622	S	*	10/2005	Tai	D23/411
D520,633	S	*	5/2006	Tai	D23/411
D541,930	S	*	5/2007	Pickett	D23/411
D547,483	S	*	7/2007	Pickett	D26/89
D558,384	S	*	12/2007	Bickler et al.	D26/88
D558,912	S	*	1/2008	Crosby	D26/88
D594,542	S	*	6/2009	Pan	D23/377
D595,401	S	*	6/2009	Sturm et al.	D23/377
D603,954	S	*	11/2009	Curtin	D23/411
D627,870	S	*	11/2010	Wang	D23/411
D627,874	S	*	11/2010	Pan	D23/411
2004/0057831	A1	*	3/2004	Lin	416/210 R
2008/0089791	A1	*	4/2008	Cartwright et al.	416/244 R
2012/0177496	A1	*	7/2012	Gajewski	416/204 R

* cited by examiner

Primary Examiner — Susan Bennett Hattan

Assistant Examiner — Marie Fast Horse

(74) *Attorney, Agent, or Firm* — Ming Chow; Sinorica, LLC

(57) **CLAIM**

I claim the ornamental design for a ceiling fan motor housing, fan blade bracket and light kit assembly, as shown and described.

DESCRIPTION

FIG. 1 is a front perspective view of a ceiling fan motor housing, fan blade bracket and light kit assembly showing my new design;

FIG. 2 is a front elevational view thereof;

FIG. 3 is a rear elevational view thereof.

FIG. 4 is a left side elevational view thereof;

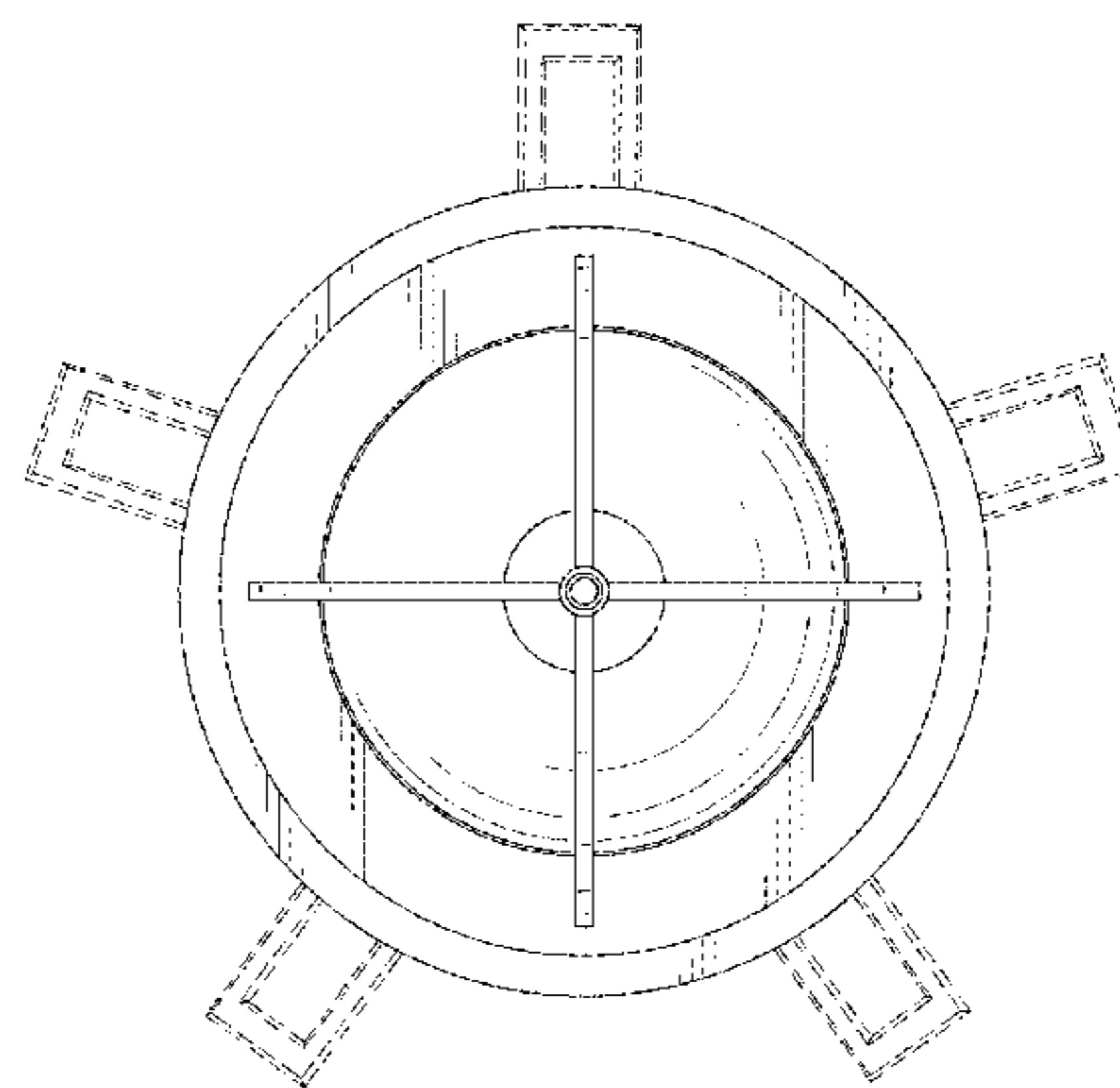
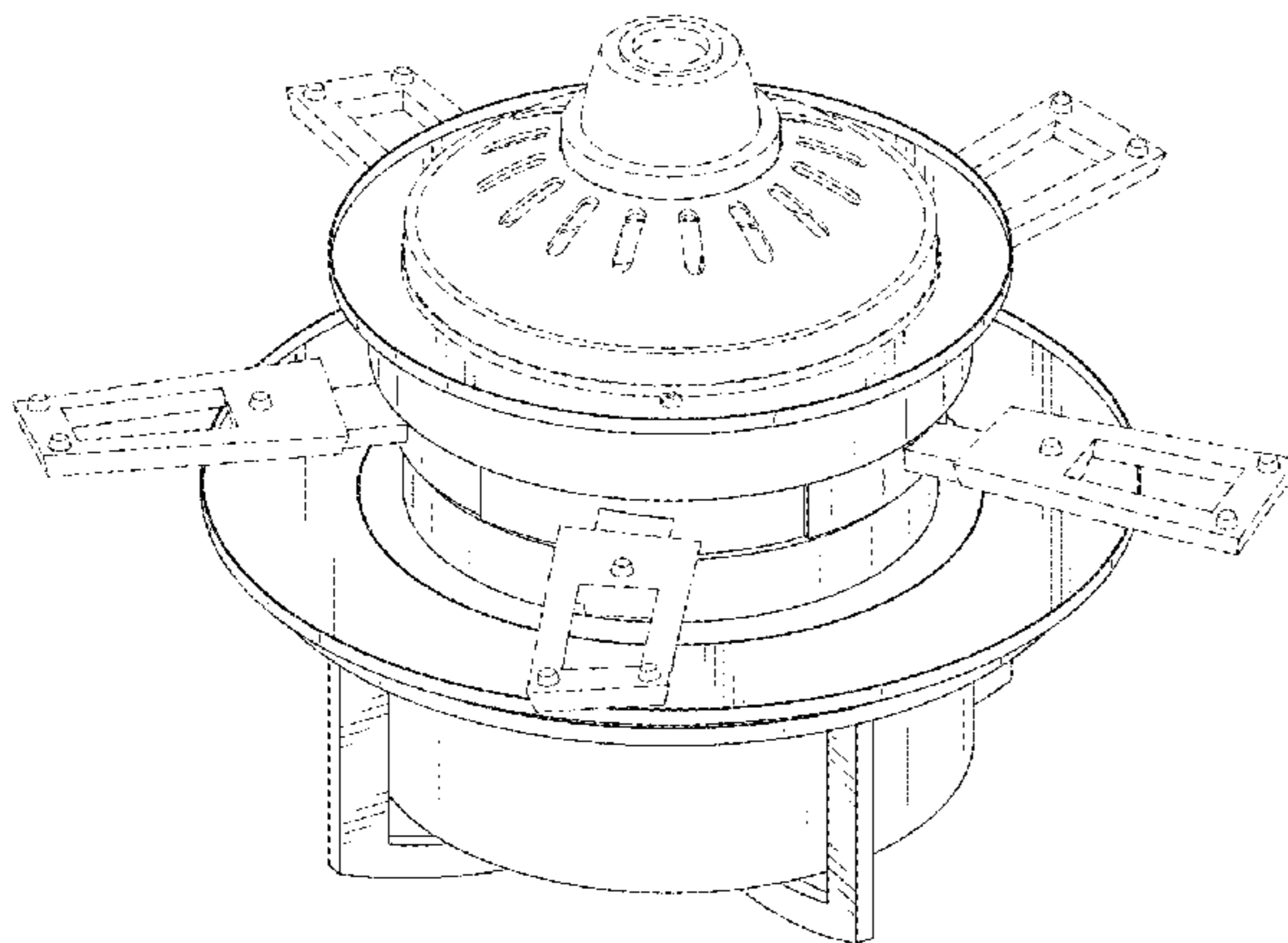
FIG. 5 is a right side elevational view thereof;

FIG. 6 is a top plan view thereof; and,

FIG. 7 is a bottom plan view thereof.

The broken lines in the drawings depict environmental subject matter only and form no part of the claimed design.

1 Claim, 5 Drawing Sheets



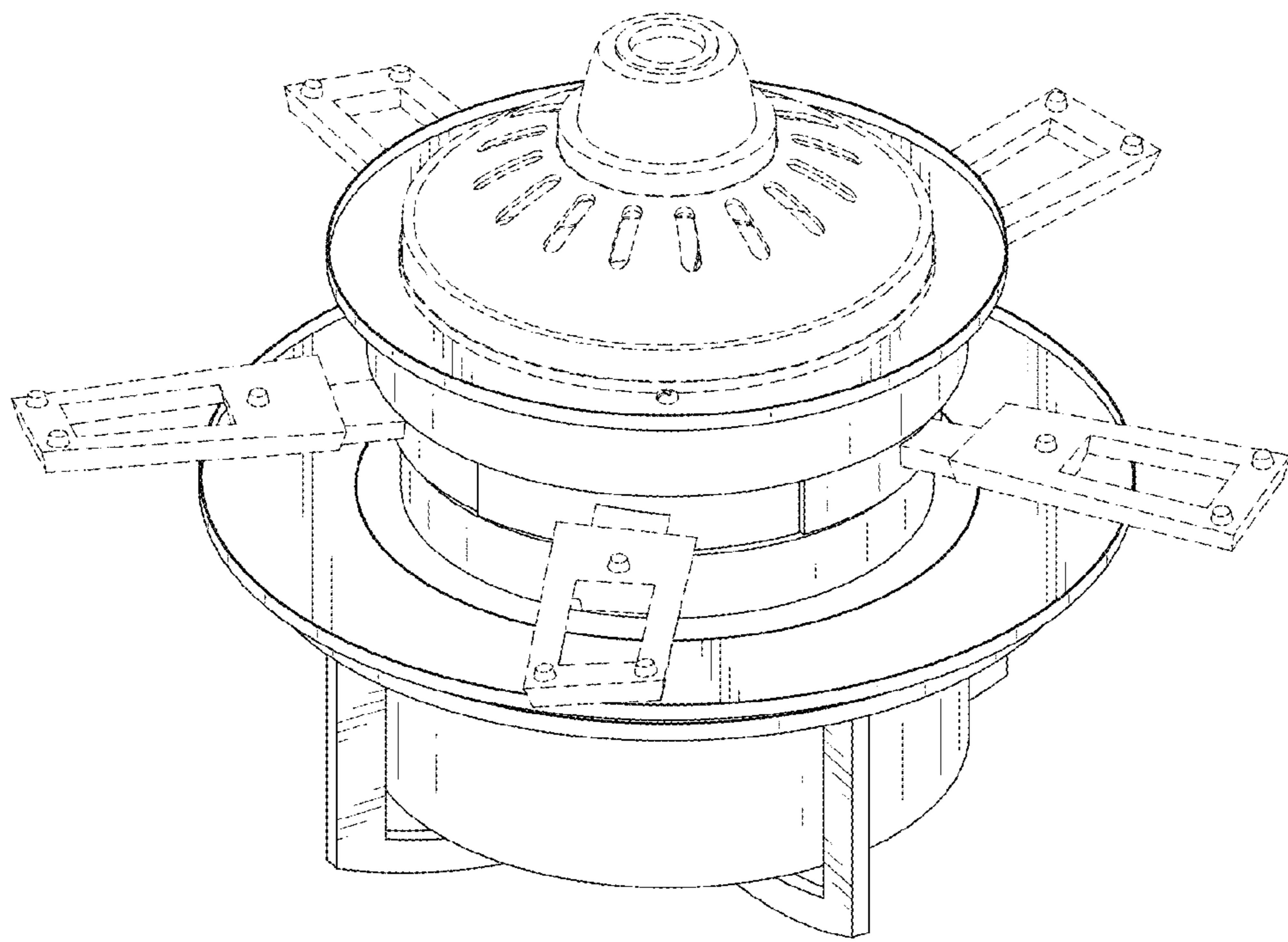


FIG. 1

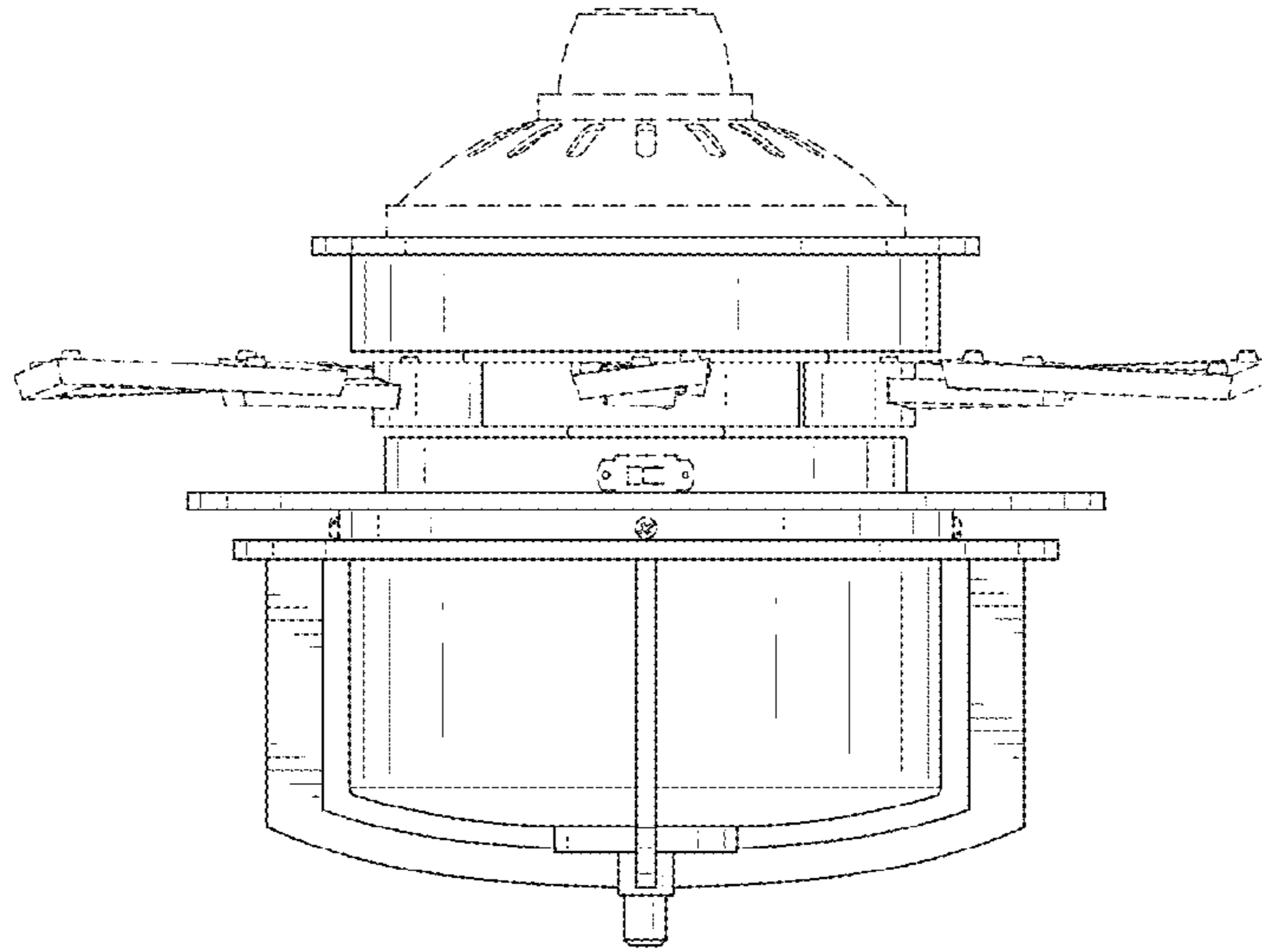


FIG. 2

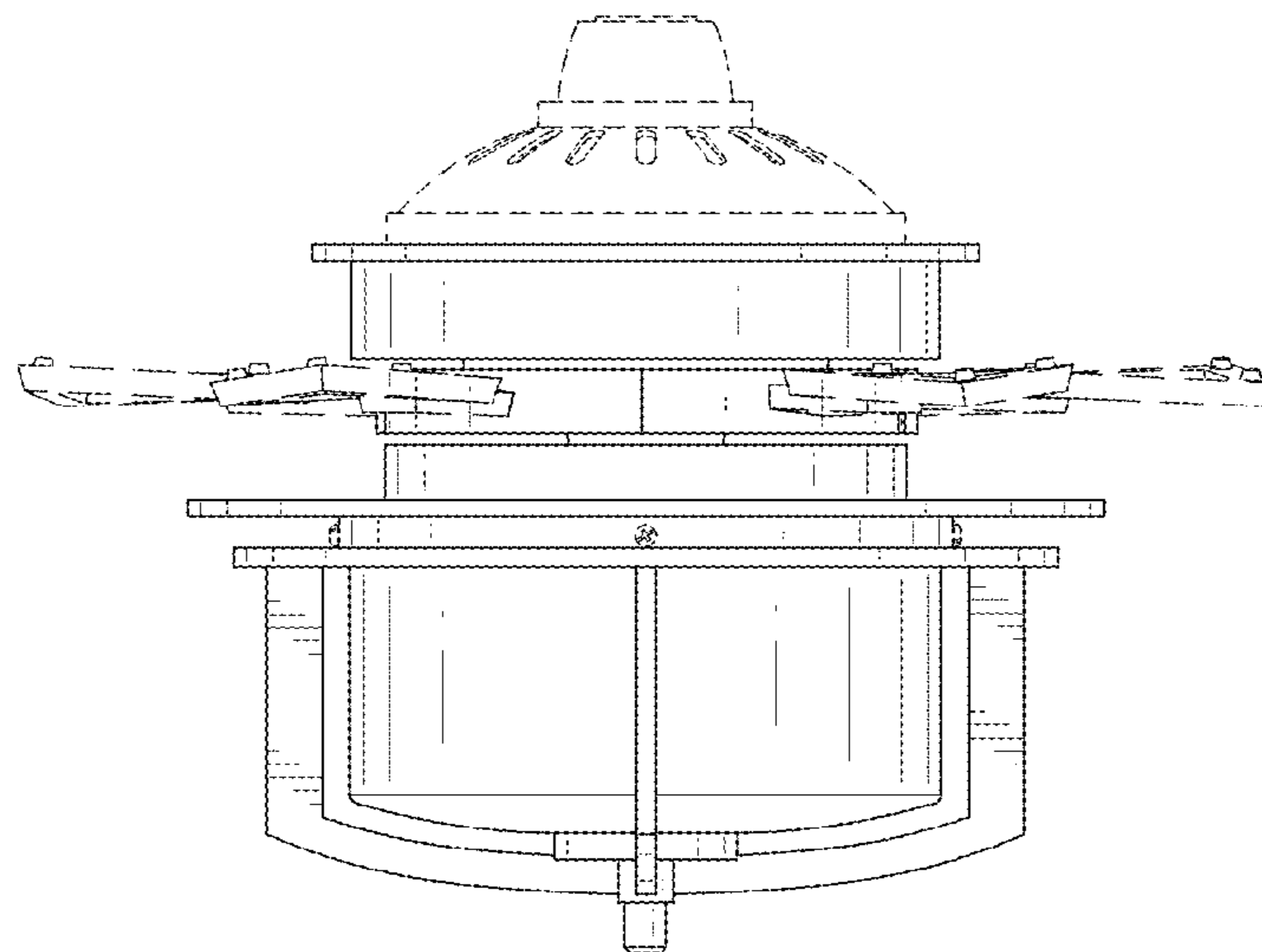


FIG. 3

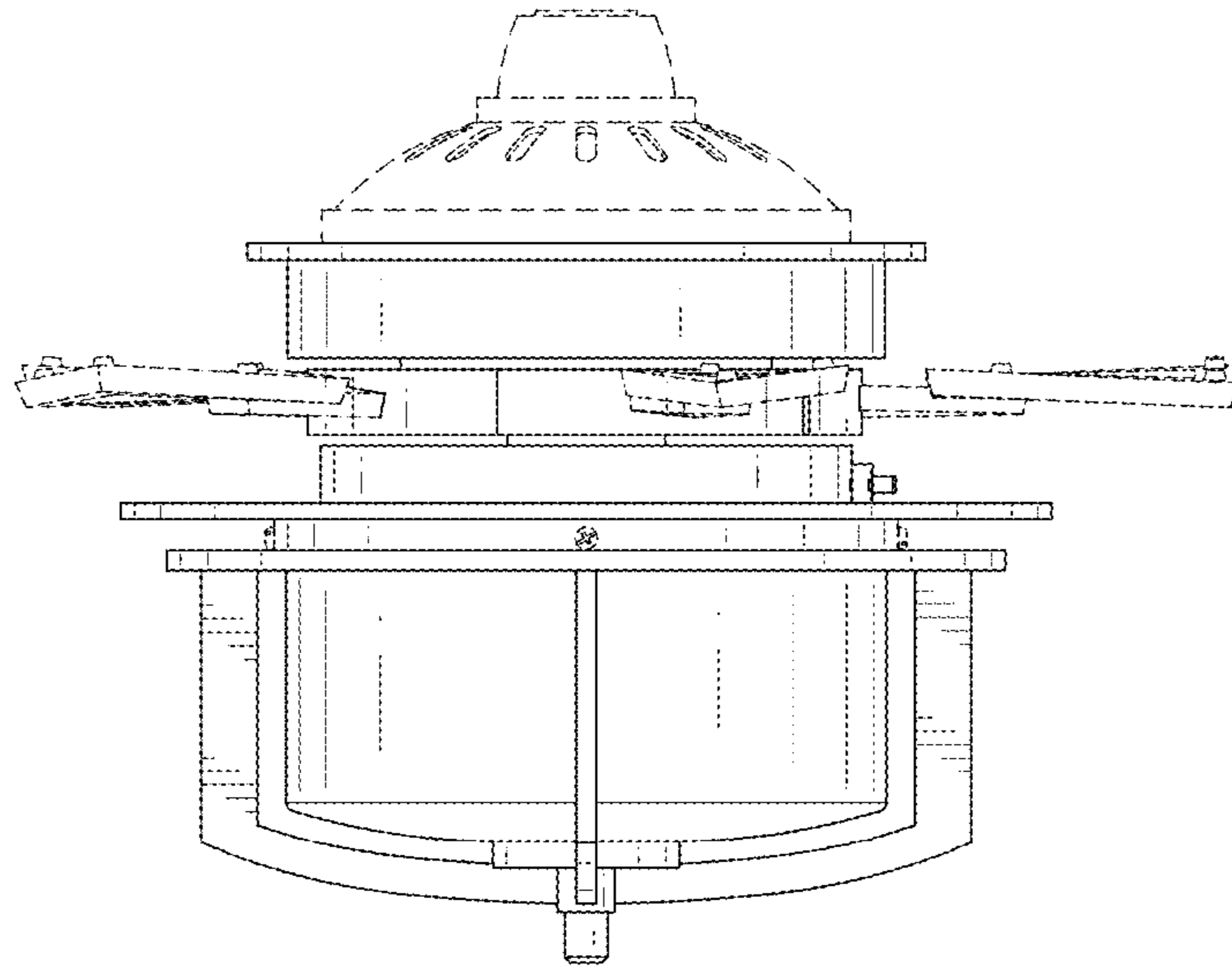


FIG. 4

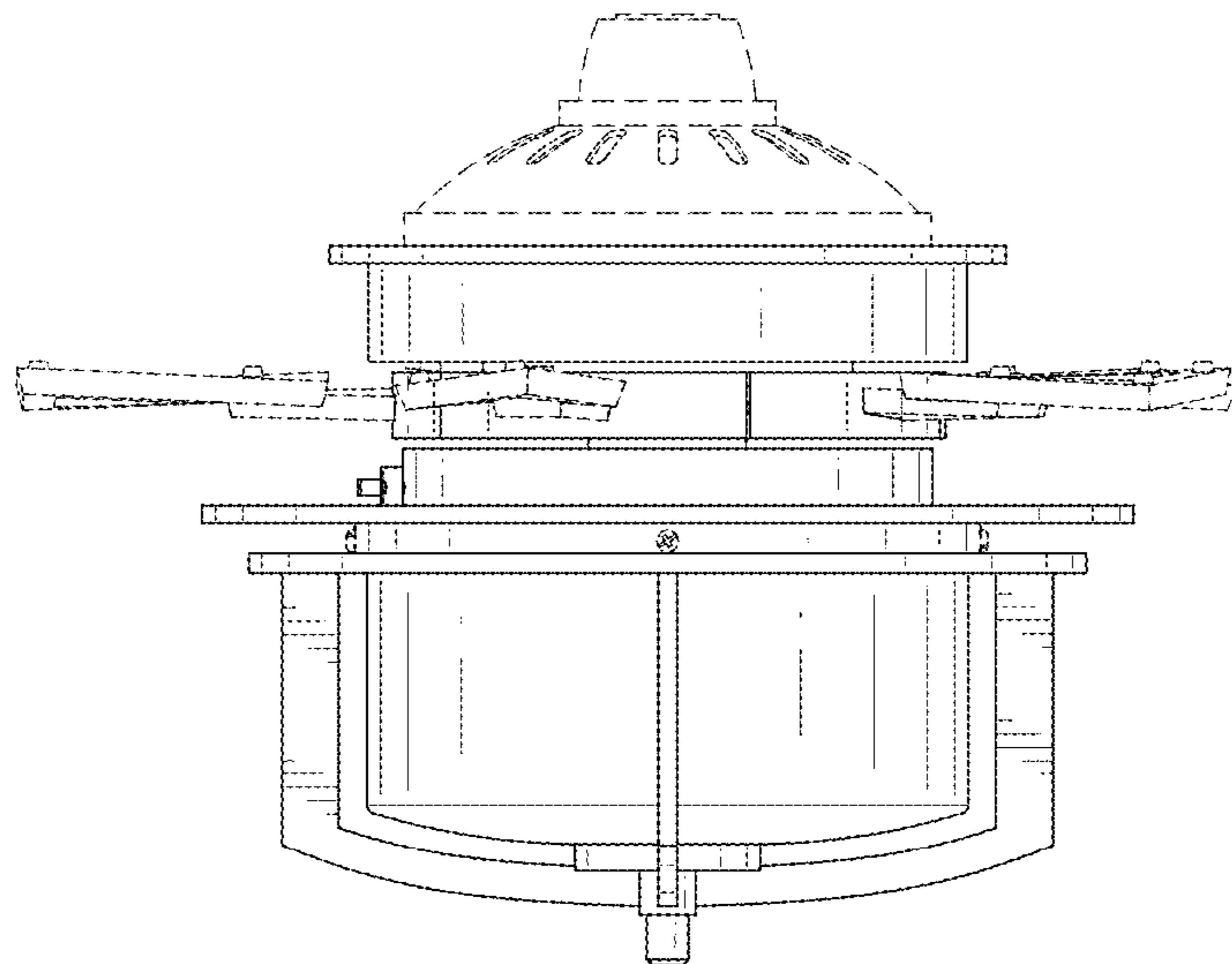


FIG. 5

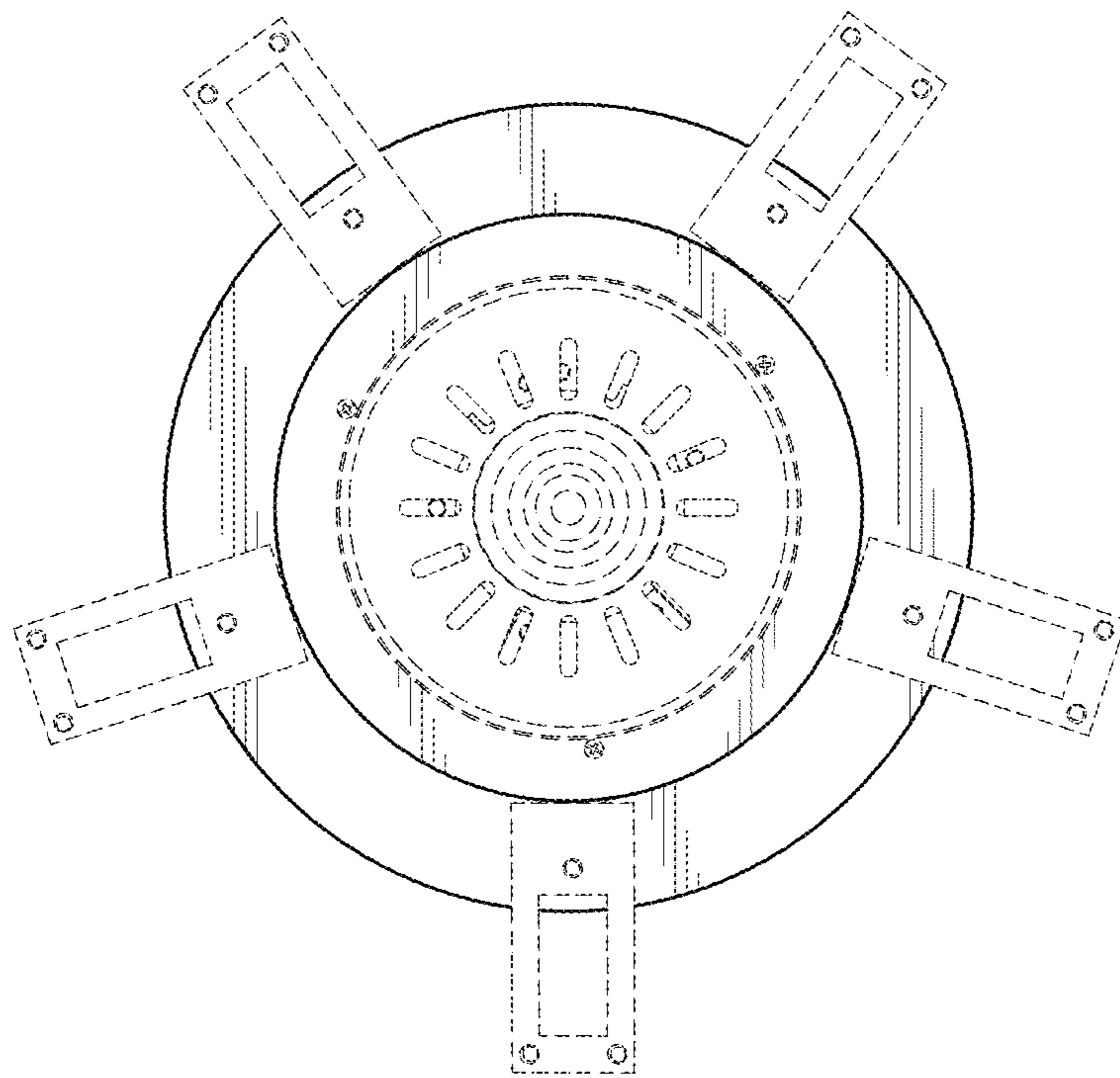


FIG. 6

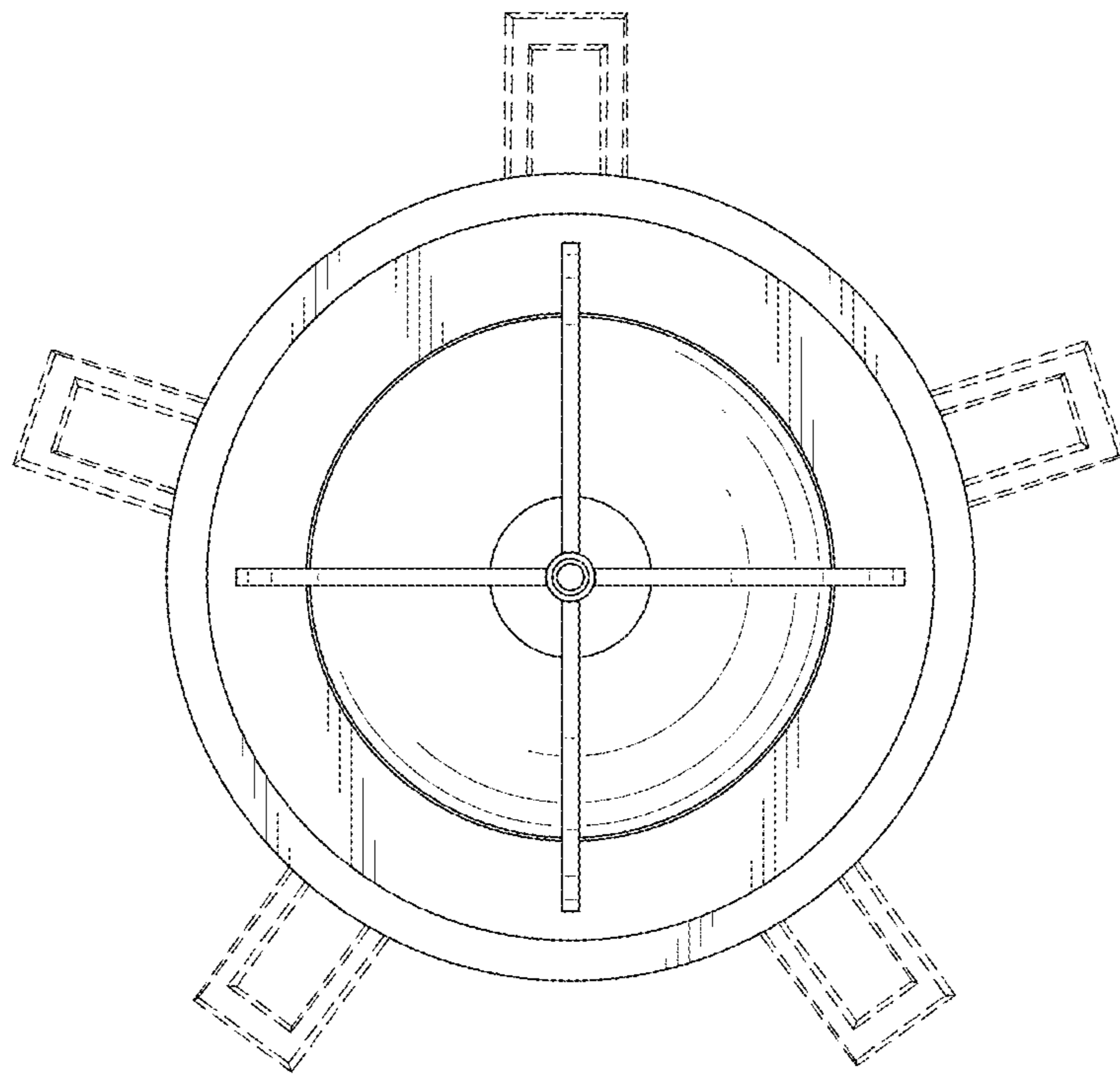


FIG. 7