



US00D704821S

(12) **United States Design Patent**
Wang

(10) **Patent No.:** **US D704,821 S**

(45) **Date of Patent:** **** May 13, 2014**

(54) **CEILING FAN MOTOR HOUSING WITH LIGHT KIT**

(75) Inventor: **Cliff Wang**, Taichung (TW)

(73) Assignee: **Air Cool Industrial Co., Ltd.**, Taichung (TW)

(**) Term: **14 Years**

(21) Appl. No.: **29/425,044**

(22) Filed: **Jun. 19, 2012**

(51) **LOC (10) Cl.** **23-04**

(52) **U.S. Cl.**
USPC **D23/411; D26/59**

(58) **Field of Classification Search**
CPC F04D 25/088; F04D 29/34; F21V 33/0096
USPC D23/411-414, 324, 331, 343, 385,
D23/370-384, 387, 499; D8/323, 327, 349,
D8/354, 373, 380-387, 394, 397, 398;
D11/78.1, 86; D26/59, 51, 72, 73,
D26/80-86, 88, 90; 16/265, 382, 388, 389;
248/243, 398; 392/361, 364; 416/5,
416/170 R, 214 R, 184, 206, 207, 210 R,
416/220 R, 244 R, 248; 362/96
See application file for complete search history.

(56) **References Cited**

U.S. PATENT DOCUMENTS

D118,738 S *	1/1940	Herring	D26/51
D118,742 S *	1/1940	Miller	D26/88
D378,403 S *	3/1997	Jaspers-Fayer	D23/377
D400,975 S *	11/1998	Jaspers-Fayer	D23/377

D402,362 S *	12/1998	Pickett	D23/377
6,059,531 A *	5/2000	Tai	416/220 A
D434,844 S *	12/2000	Williams	D23/377
D451,995 S *	12/2001	Liu	D23/411
D480,133 S *	9/2003	Chen	D23/411
D483,847 S *	12/2003	Tai	D23/377
D489,445 S *	5/2004	Burns	D23/411
D541,407 S *	4/2007	Pickett	D23/411
D541,410 S *	4/2007	Ertze	D23/411
D557,791 S *	12/2007	Cox	D23/411
D609,325 S *	2/2010	Chen	D23/377

* cited by examiner

Primary Examiner — Susan Bennett Hattan

Assistant Examiner — Marie Fast Horse

(74) *Attorney, Agent, or Firm* — Ming Chow; Sinorica, LLC

(57) **CLAIM**

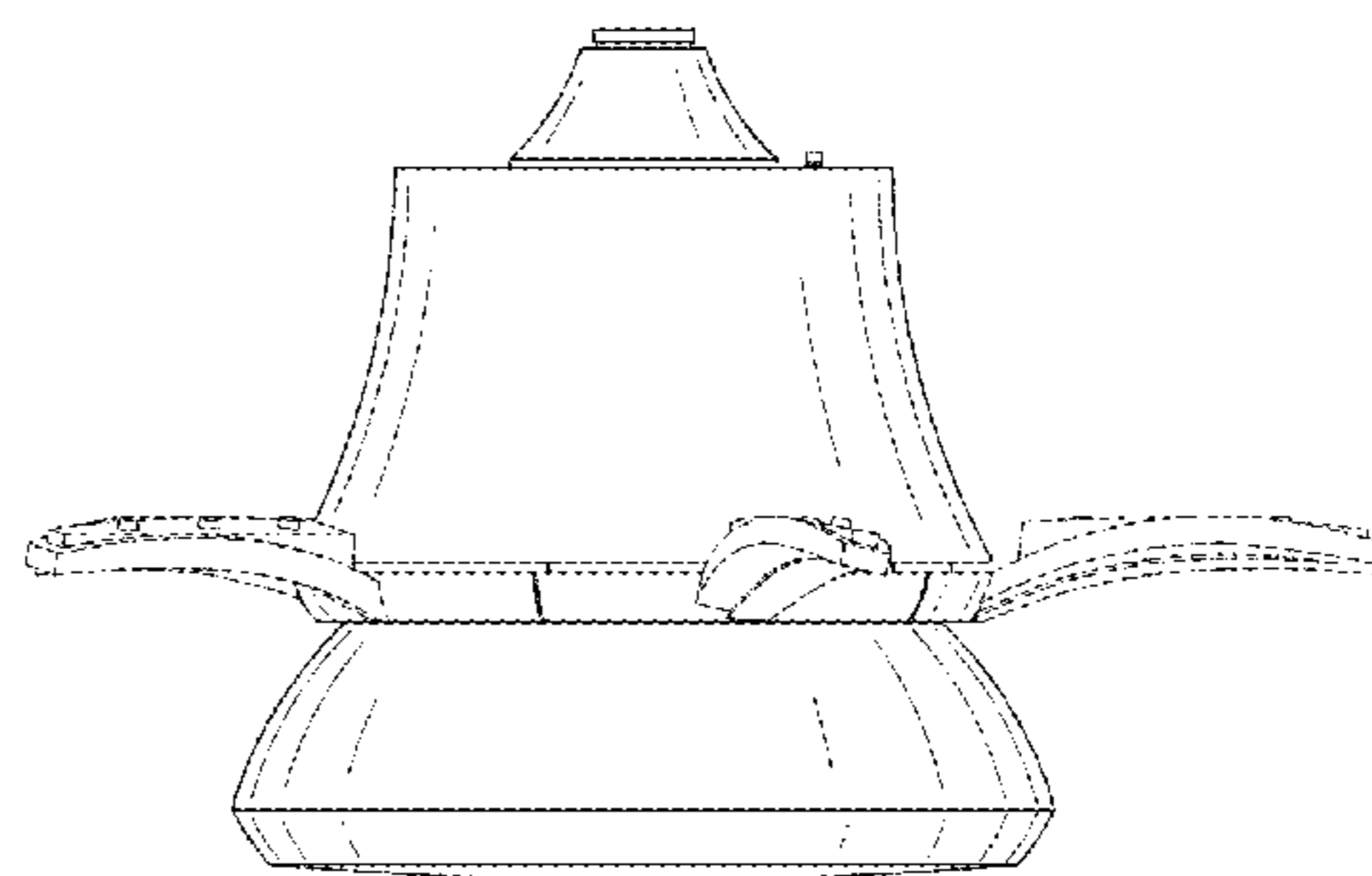
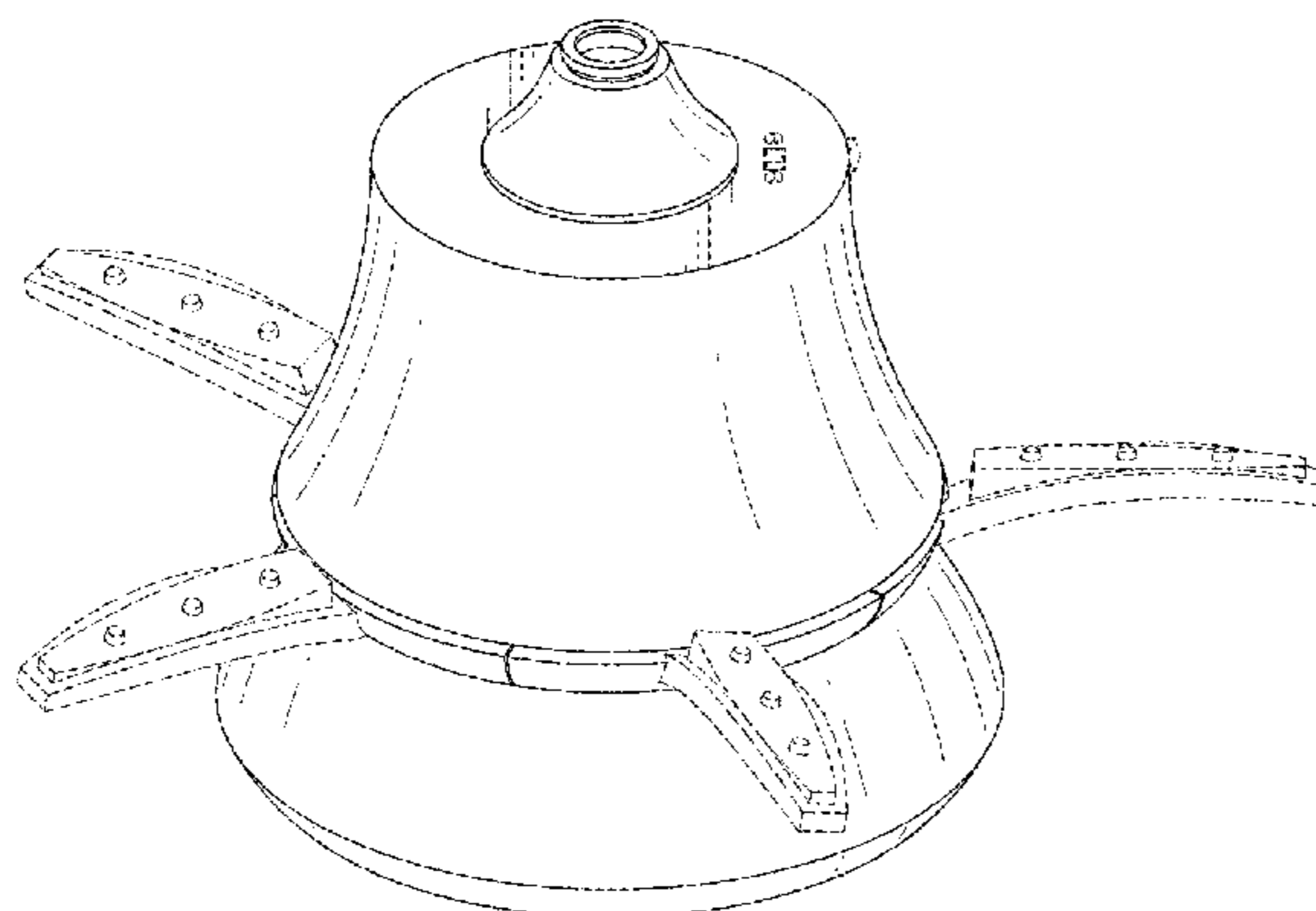
I claim the ornamental design for a ceiling fan motor housing with light kit, as shown and described.

DESCRIPTION

FIG. 1 is a front perspective view of a ceiling fan motor housing with light kit showing my new design;
FIG. 2 is a front elevational view thereof;
FIG. 3 is a rear elevational view thereof.
FIG. 4 is a left side elevational view thereof;
FIG. 5 is a right side elevational view thereof;
FIG. 6 is a top plan view thereof; and,
FIG. 7 is a bottom plan view thereof.

The broken lines in the drawings depict environmental subject matter only and form no part of the claimed design.

1 Claim, 5 Drawing Sheets



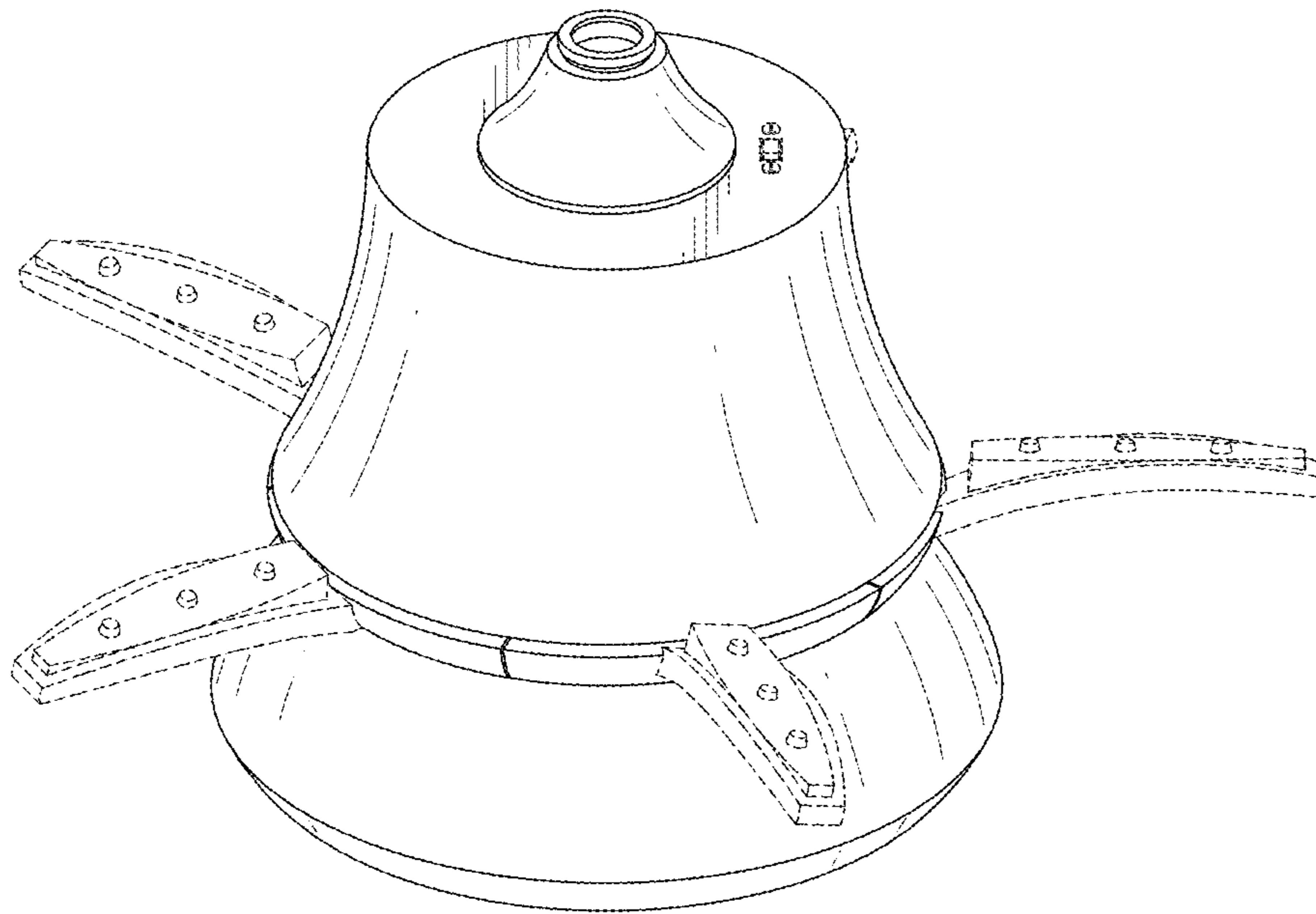


FIG. 1

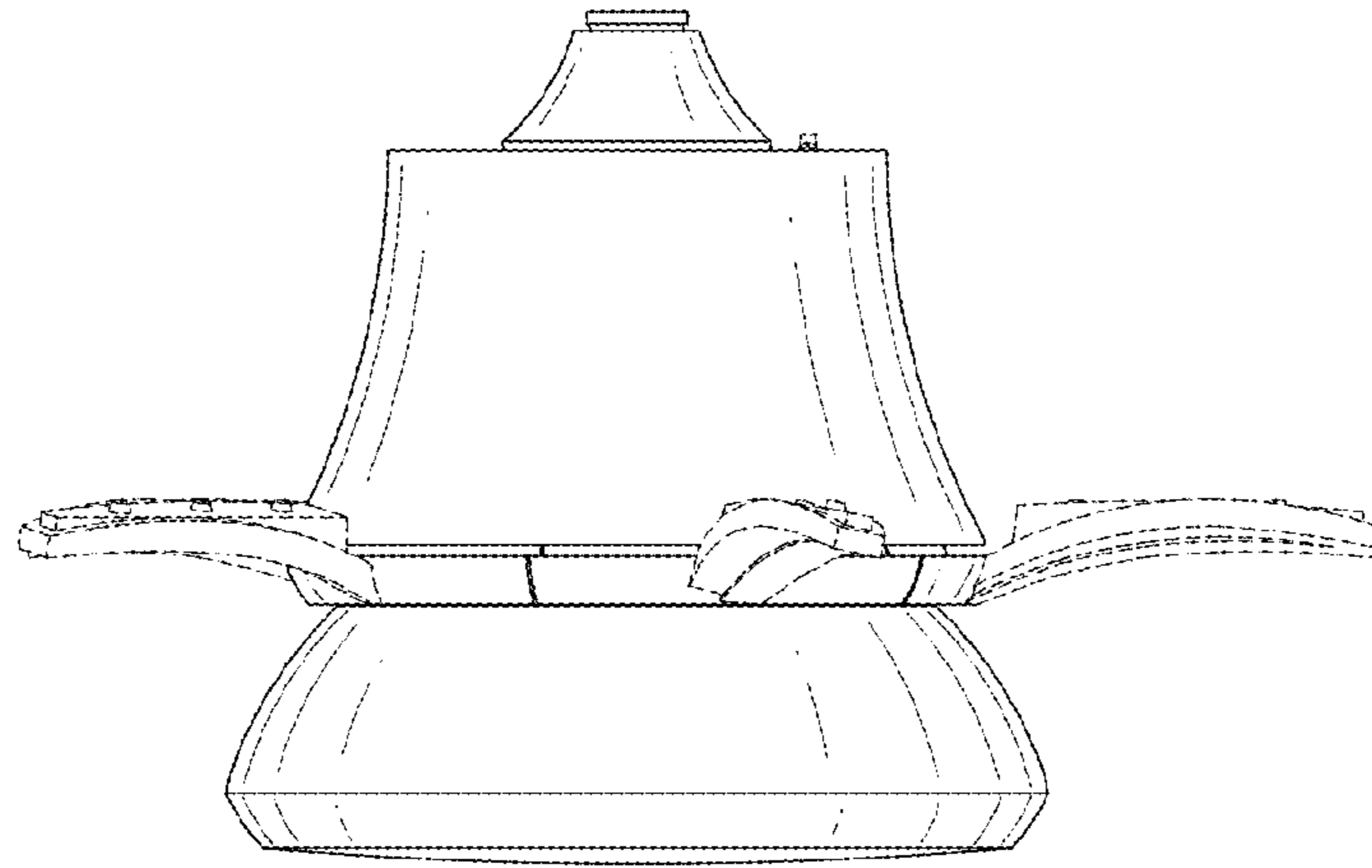


FIG. 2

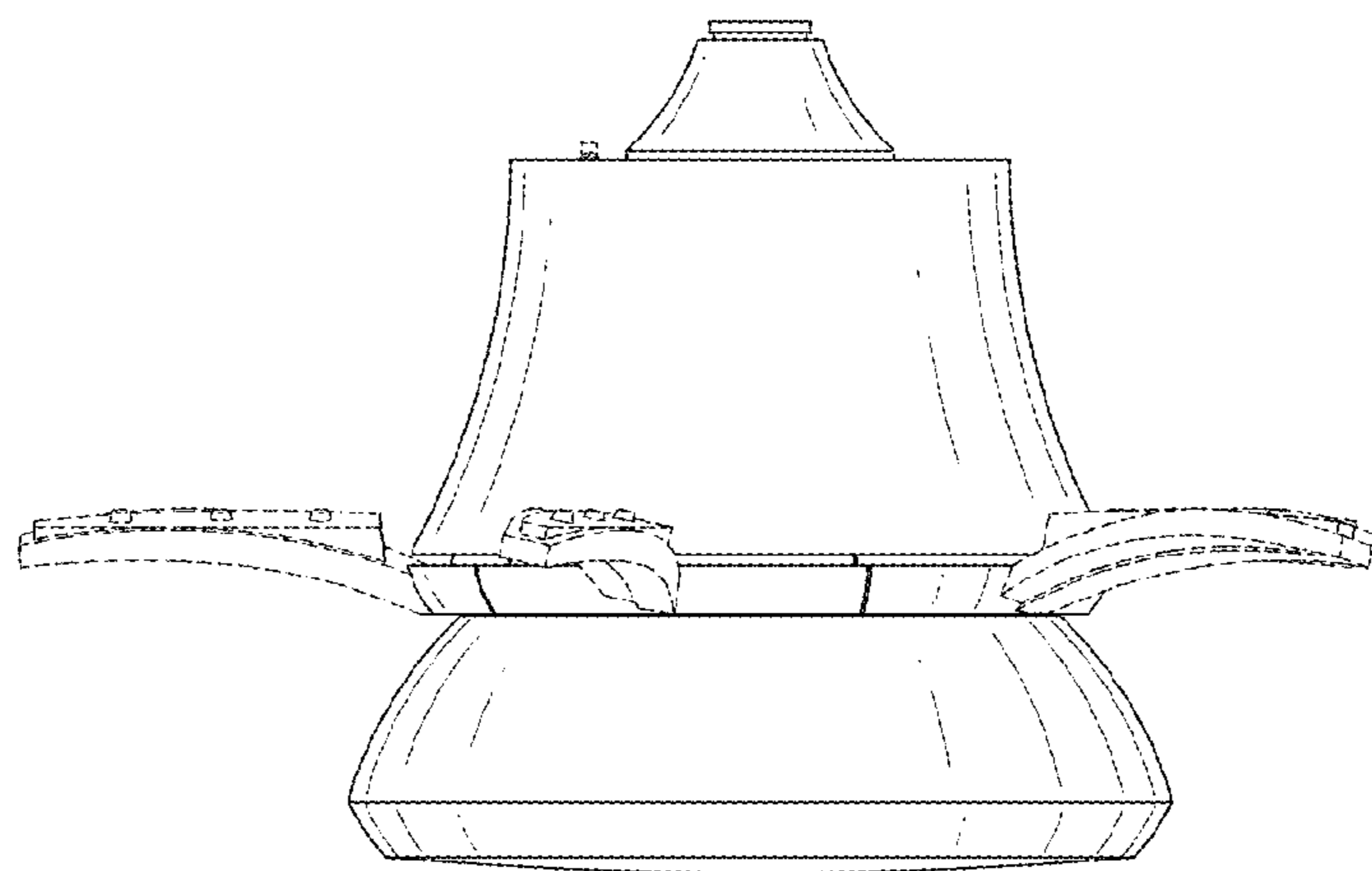


FIG. 3

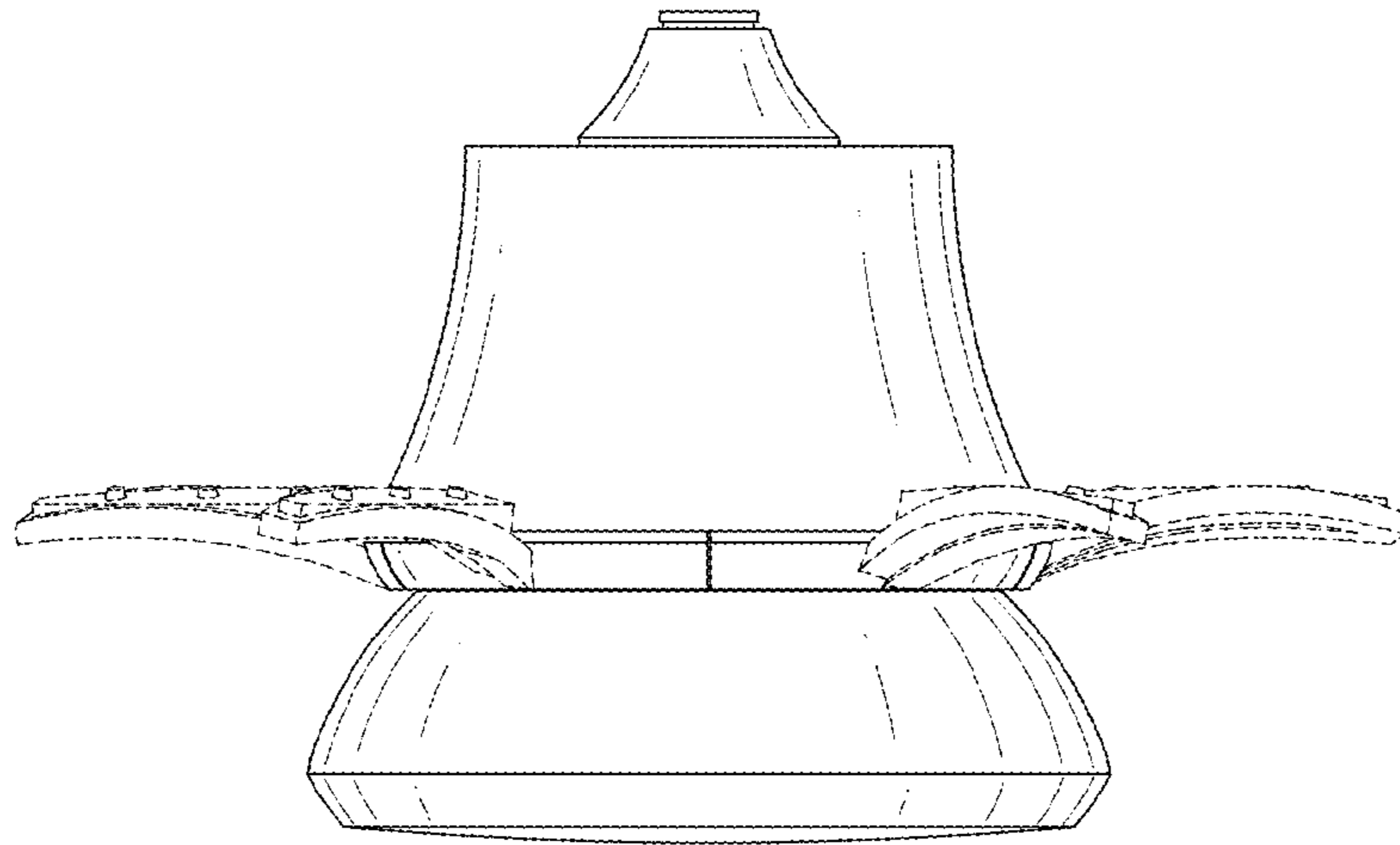


FIG. 4

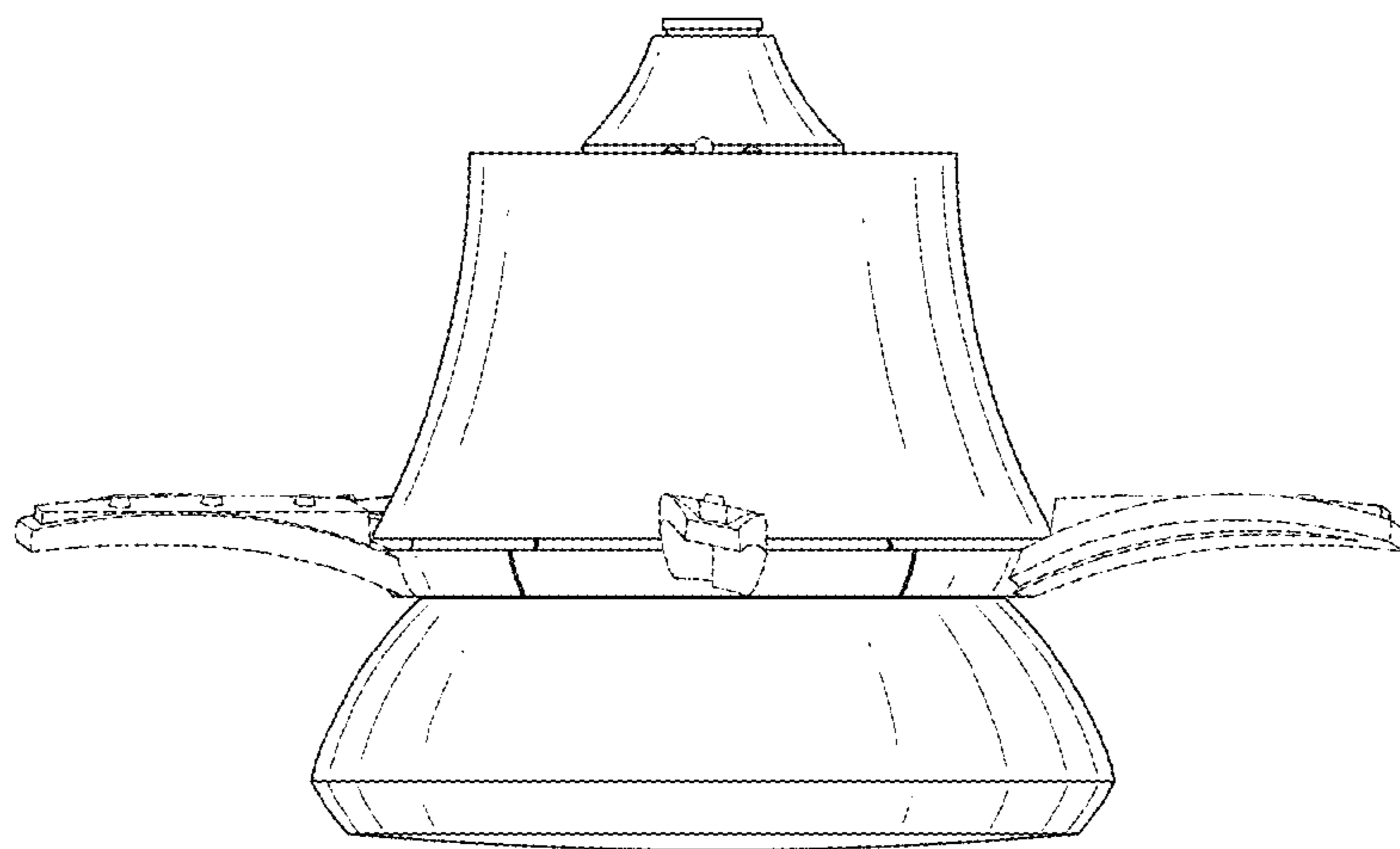


FIG. 5

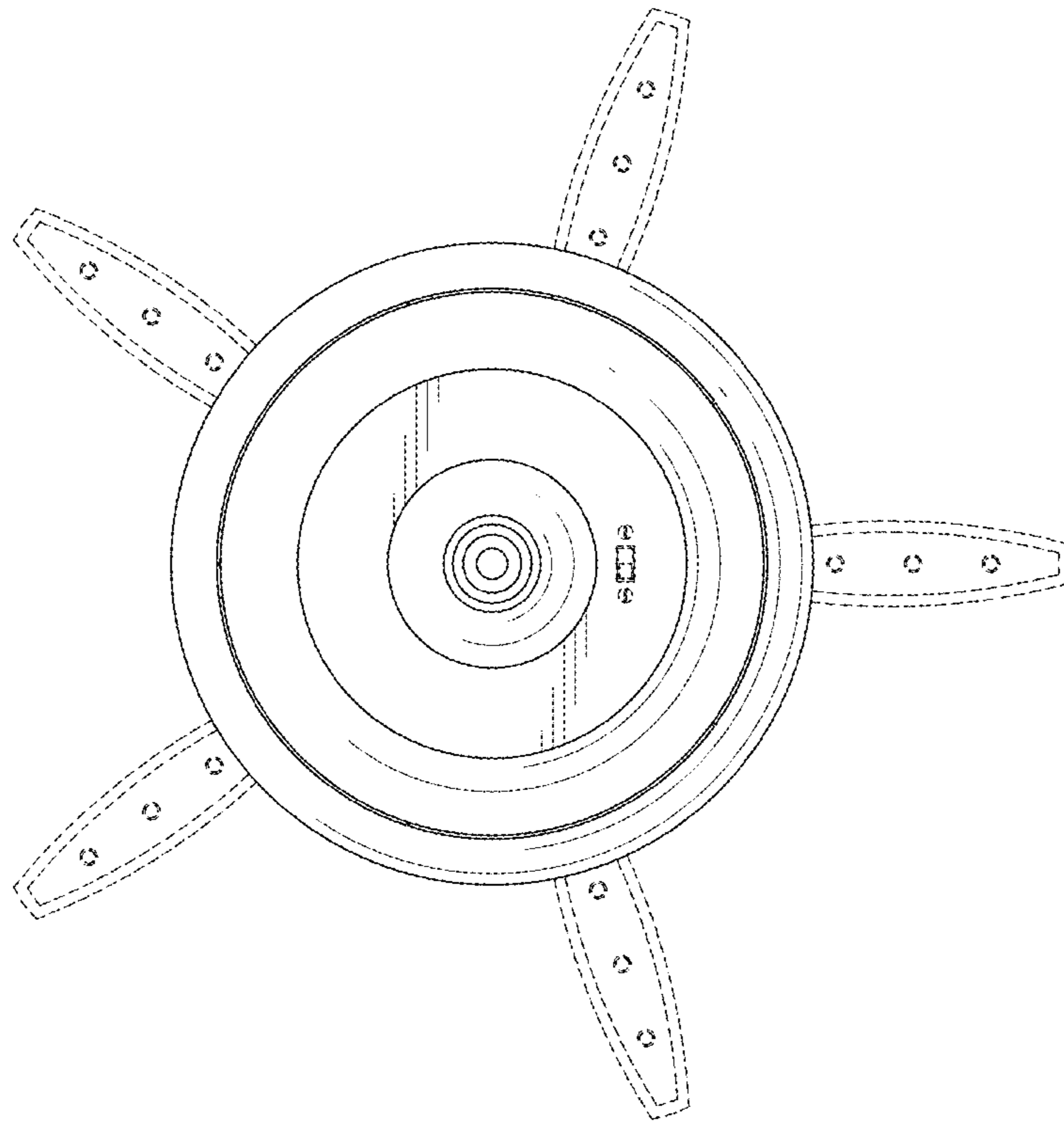


FIG. 6

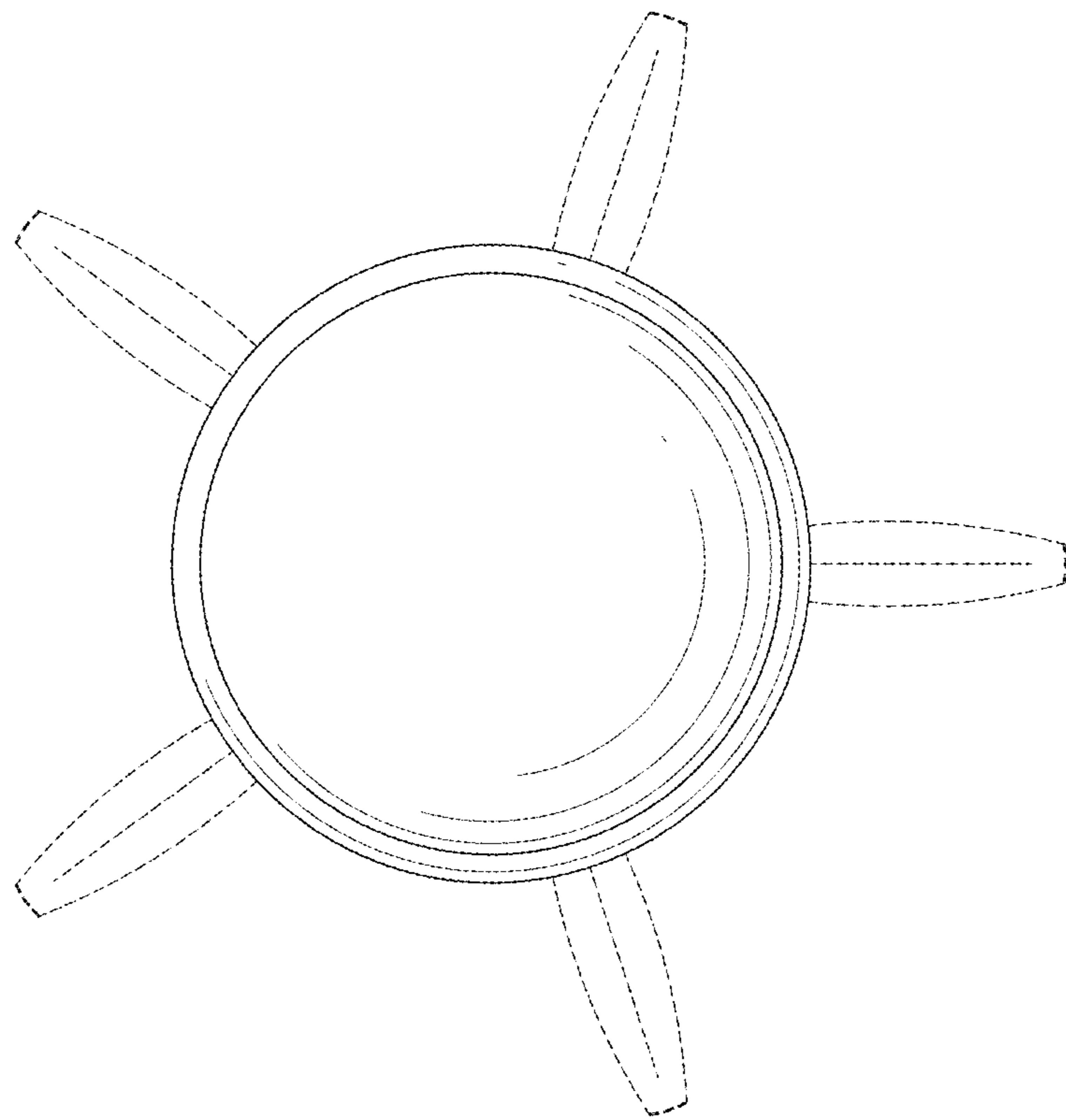


FIG. 7