



US00D704820S

(12) **United States Design Patent**
Wang

(10) **Patent No.:** **US D704,820 S**

(45) **Date of Patent:** **** May 13, 2014**

(54) **FAN BLADE BRACKET**

(75) Inventor: **Cliff Wang**, Taichung (TW)

(73) Assignee: **Air Cool Industrial Co., Ltd.**, Taichung (TW)

(**) Term: **14 Years**

(21) Appl. No.: **29/425,042**

(22) Filed: **Jun. 19, 2012**

(51) **LOC (10) Cl.** **23-04**

(52) **U.S. Cl.**
USPC **D23/411**

(58) **Field of Classification Search**

CPC F04D 25/088; F04D 29/34; F04D 29/322;
F04D 29/384

USPC D23/411-414, 324, 331, 343, 385,
D23/370-384, 387, 499; D8/323, 327, 349,
D8/354, 373, 380-387, 394, 397, 398;
D11/78.1, 86; 16/265, 382, 388, 389;
392/364; 248/188.4, 243, 398, 342;
310/91, 348; 416/5, 170 R, 214 R, 184,
416/206, 207, 210 R, 220 R, 244 R, 248

See application file for complete search history.

(56) **References Cited**

U.S. PATENT DOCUMENTS

1,710,321	A	*	4/1929	Roedding	16/389
D395,498	S	*	6/1998	Gee, II	D23/411
D508,288	S	*	8/2005	Young	D23/411
D516,197	S	*	2/2006	Young	D23/411
D520,632	S	*	5/2006	Tai	D23/411
D551,756	S	*	9/2007	Ertze	D23/411
D562,969	S	*	2/2008	Pickett	D23/411
D563,010	S	*	2/2008	Pickett	D26/59

D572,815	S	*	7/2008	Hidalgo	D23/411
D574,483	S	*	8/2008	Hidalgo	D23/411
D574,945	S	*	8/2008	Hidalgo	D23/377
D574,946	S	*	8/2008	Hidalgo	D23/377
D574,949	S	*	8/2008	Hidalgo	D23/411
D582,030	S	*	12/2008	Pickett	D23/411
D583,040	S	*	12/2008	Hidalgo	D23/377
D594,541	S	*	6/2009	Pan	D23/377
D607,556	S	*	1/2010	Pickett	D23/411
D607,990	S	*	1/2010	Pickett	D23/411
D613,847	S	*	4/2010	Shurtleff	D23/411
D614,758	S	*	4/2010	Shurtleff	D23/411
7,795,769	B2	*	9/2010	Cartwright et al.	310/89
D627,872	S	*	11/2010	Pan	D23/411
D630,722	S	*	1/2011	Pickett	D23/411
D684,251	S	*	6/2013	Pan	D23/411

* cited by examiner

Primary Examiner — Susan Bennett Hattan

Assistant Examiner — Marie Fast Horse

(74) *Attorney, Agent, or Firm* — Ming Chow; Sinorica, LLC

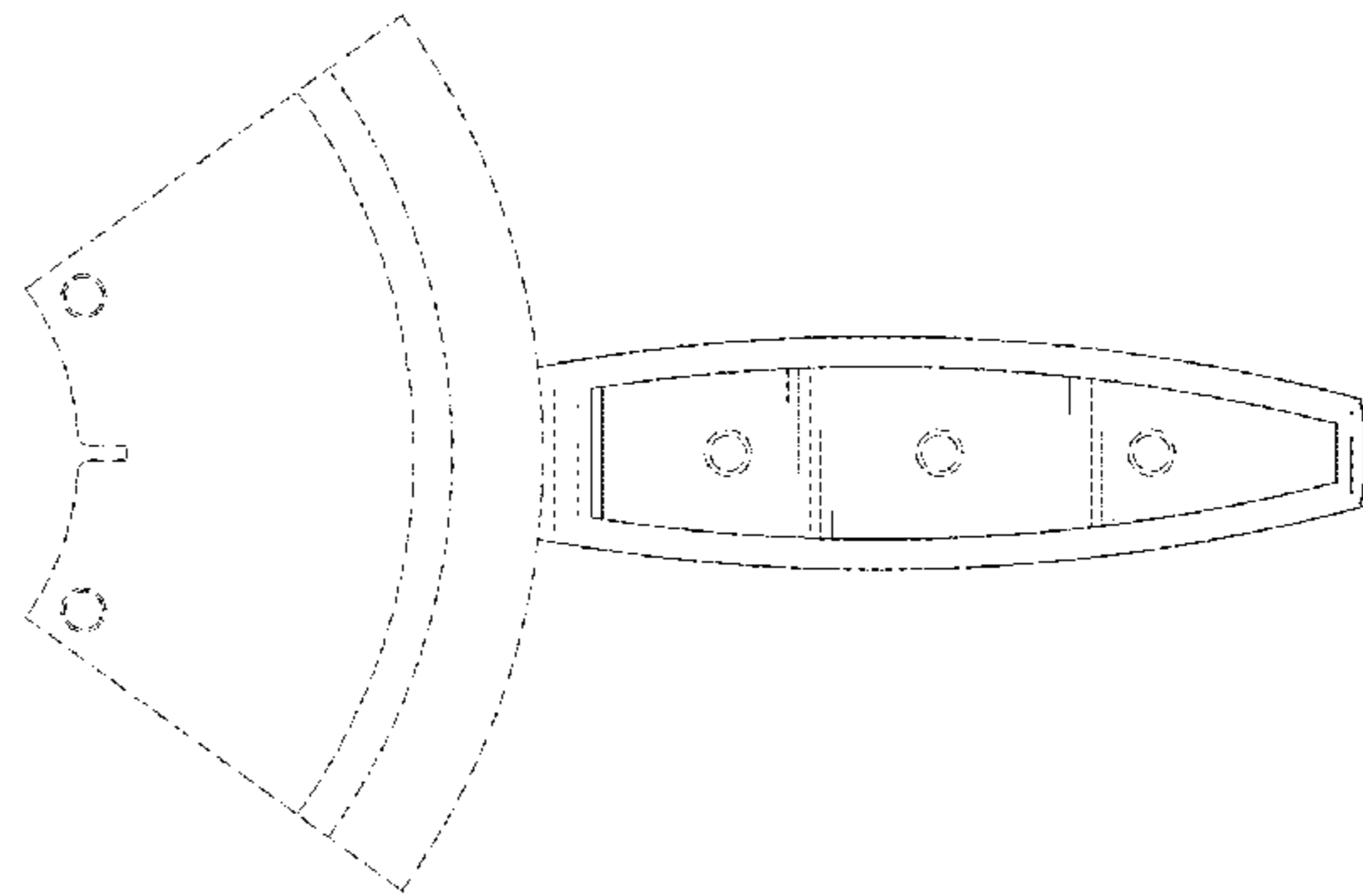
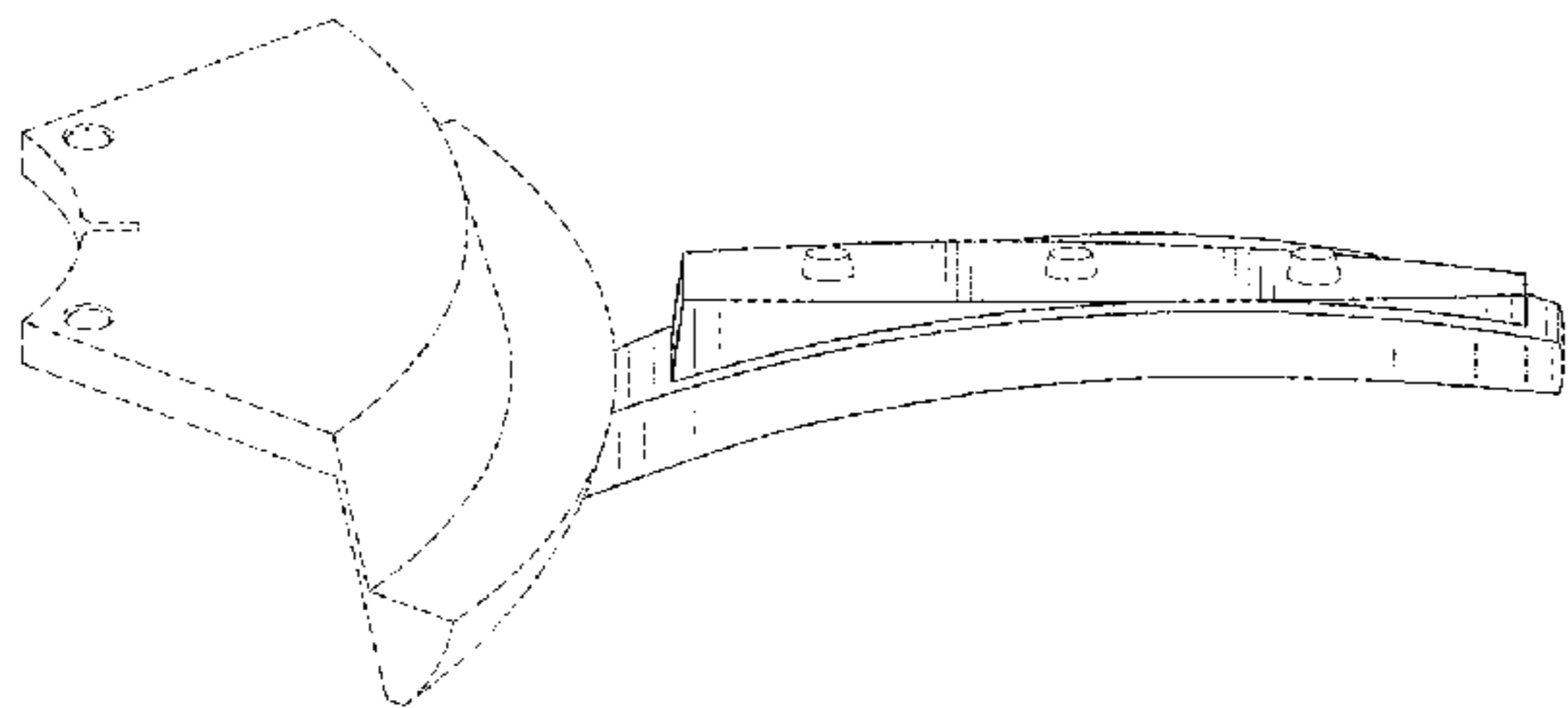
(57) **CLAIM**

I claim the ornamental design for a fan blade bracket, as shown and described.

DESCRIPTION

FIG. 1 is a front perspective view of a fan blade bracket showing my new design;
FIG. 2 is a front elevational view thereof;
FIG. 3 is a rear elevational view thereof.
FIG. 4 is a left side elevational view thereof;
FIG. 5 is a right side elevational view thereof;
FIG. 6 is a top plan view thereof; and,
FIG. 7 is a bottom plan view thereof.
The broken lines in the drawings depict environmental subject matter only and form no part of the claimed design.

1 Claim, 5 Drawing Sheets



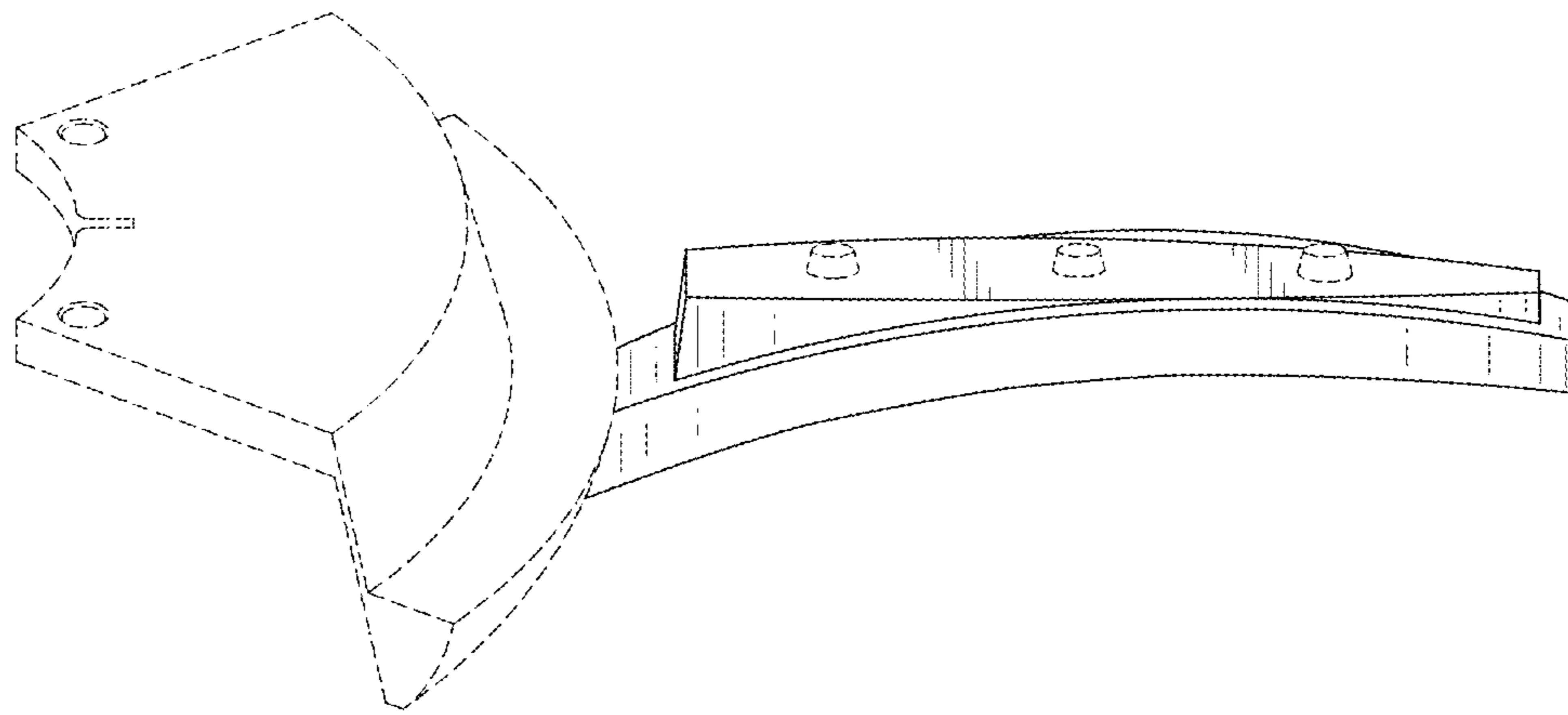


FIG. 1

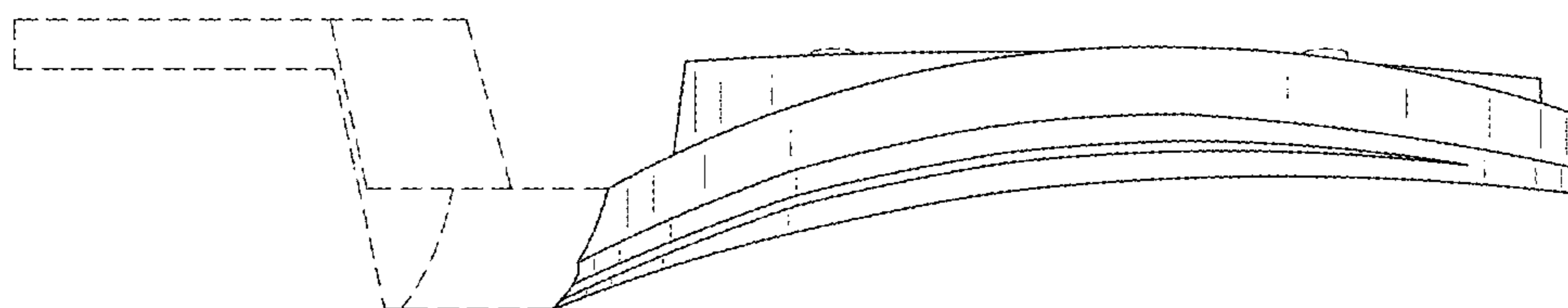


FIG. 2

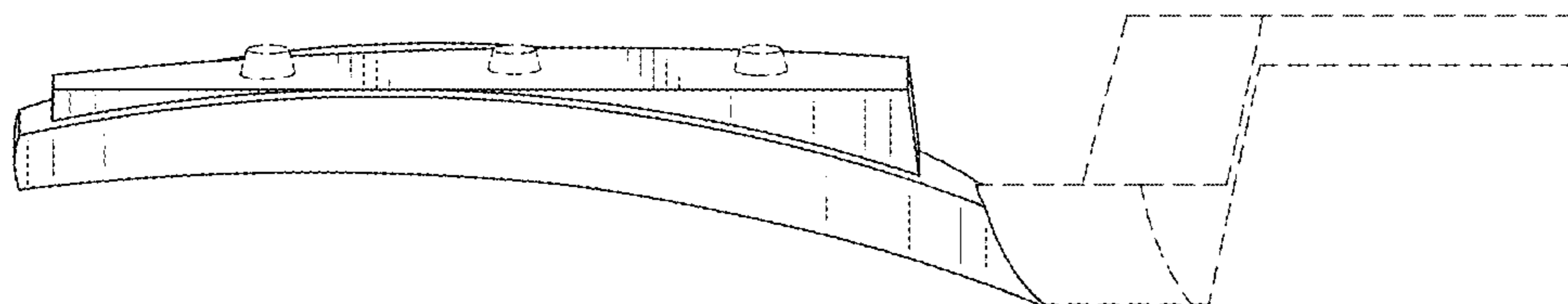


FIG. 3

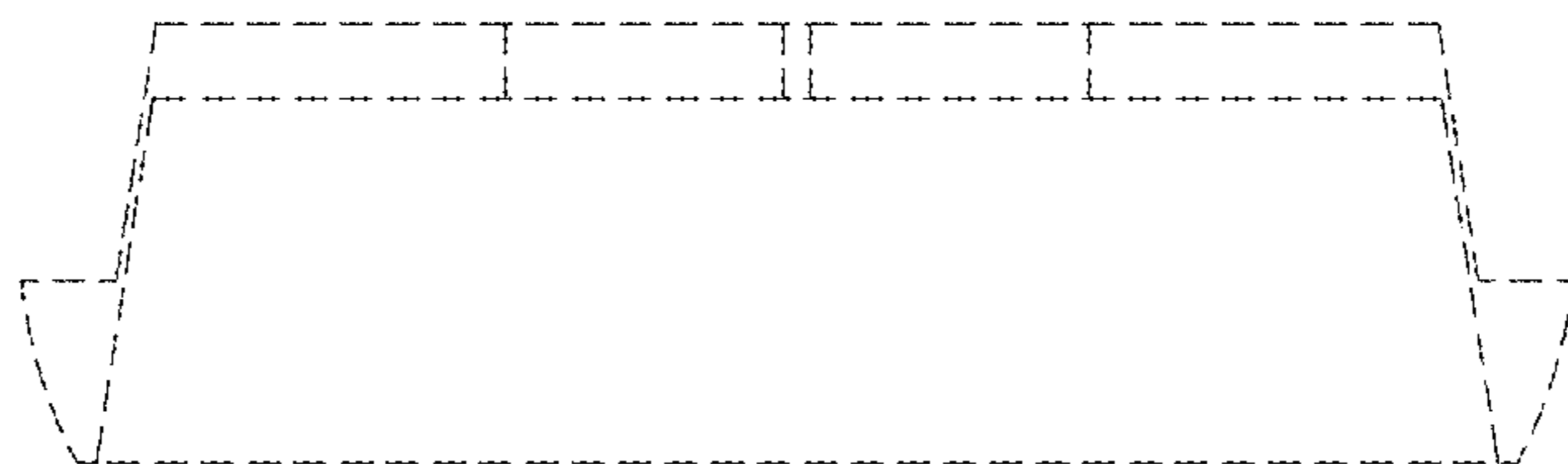


FIG. 4

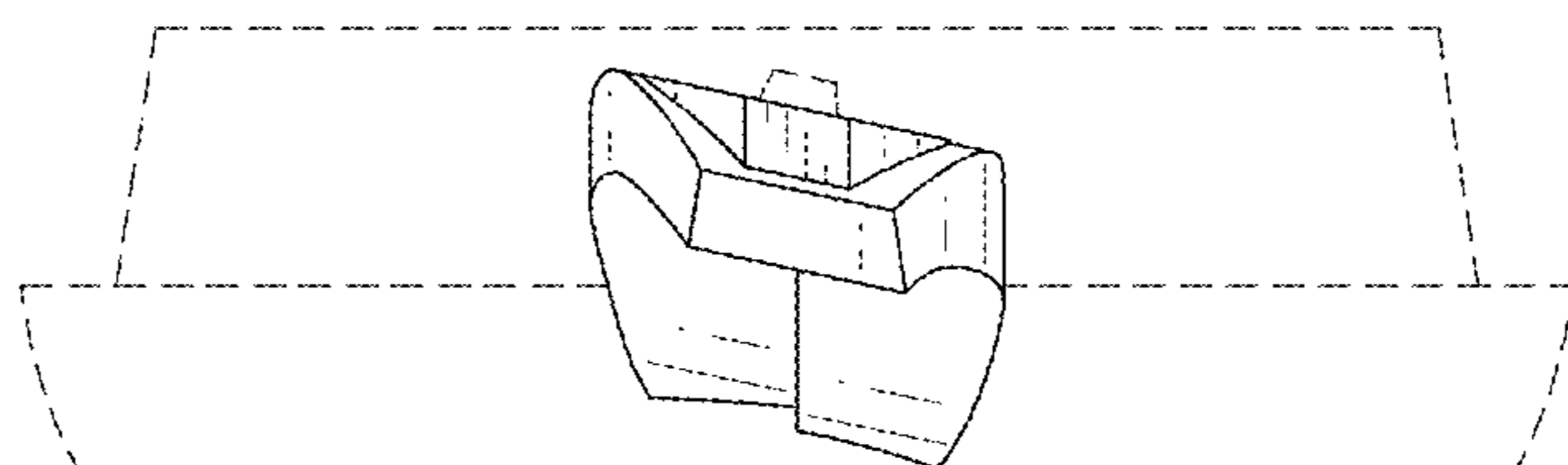


FIG. 5

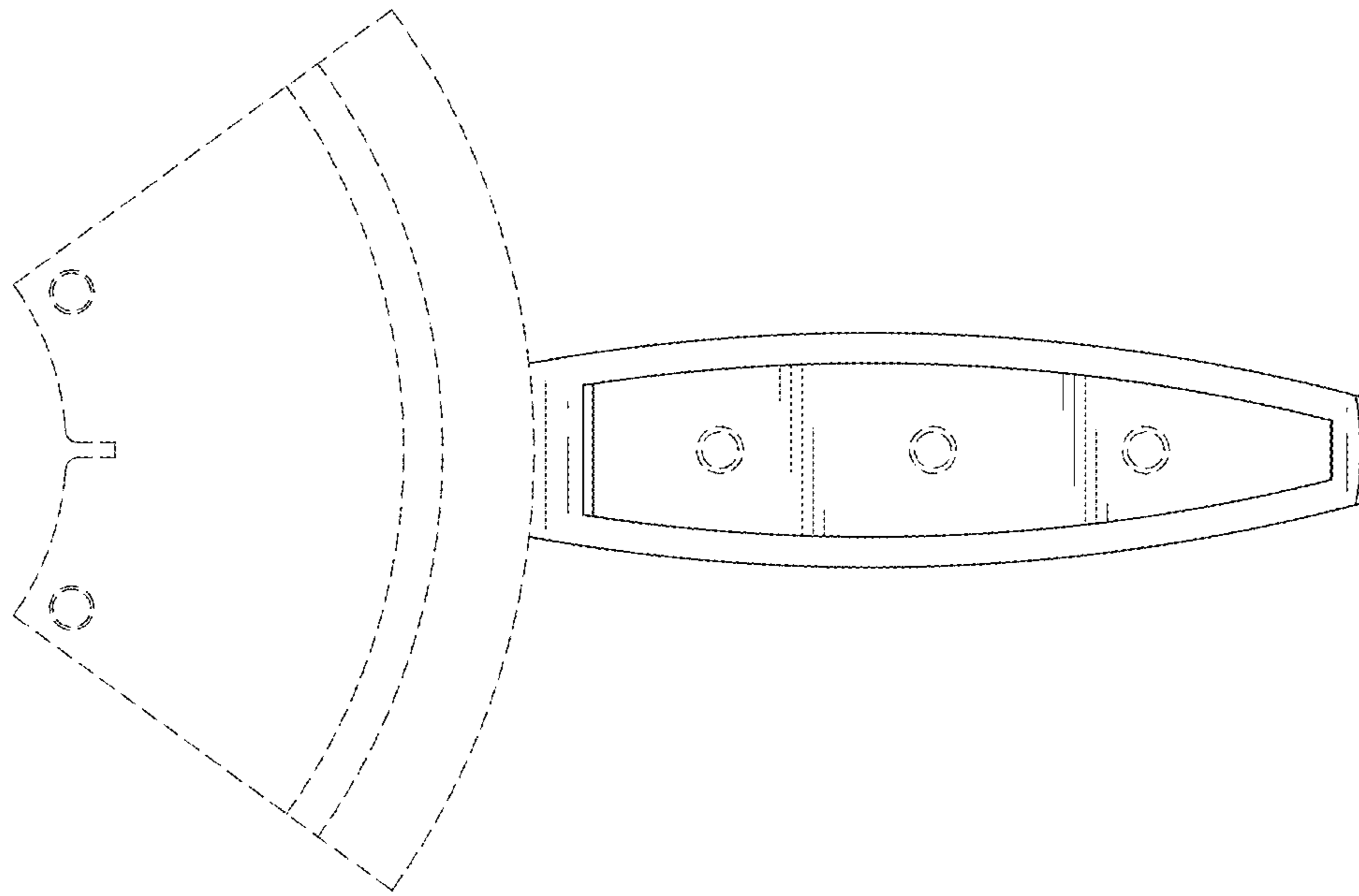


FIG. 6

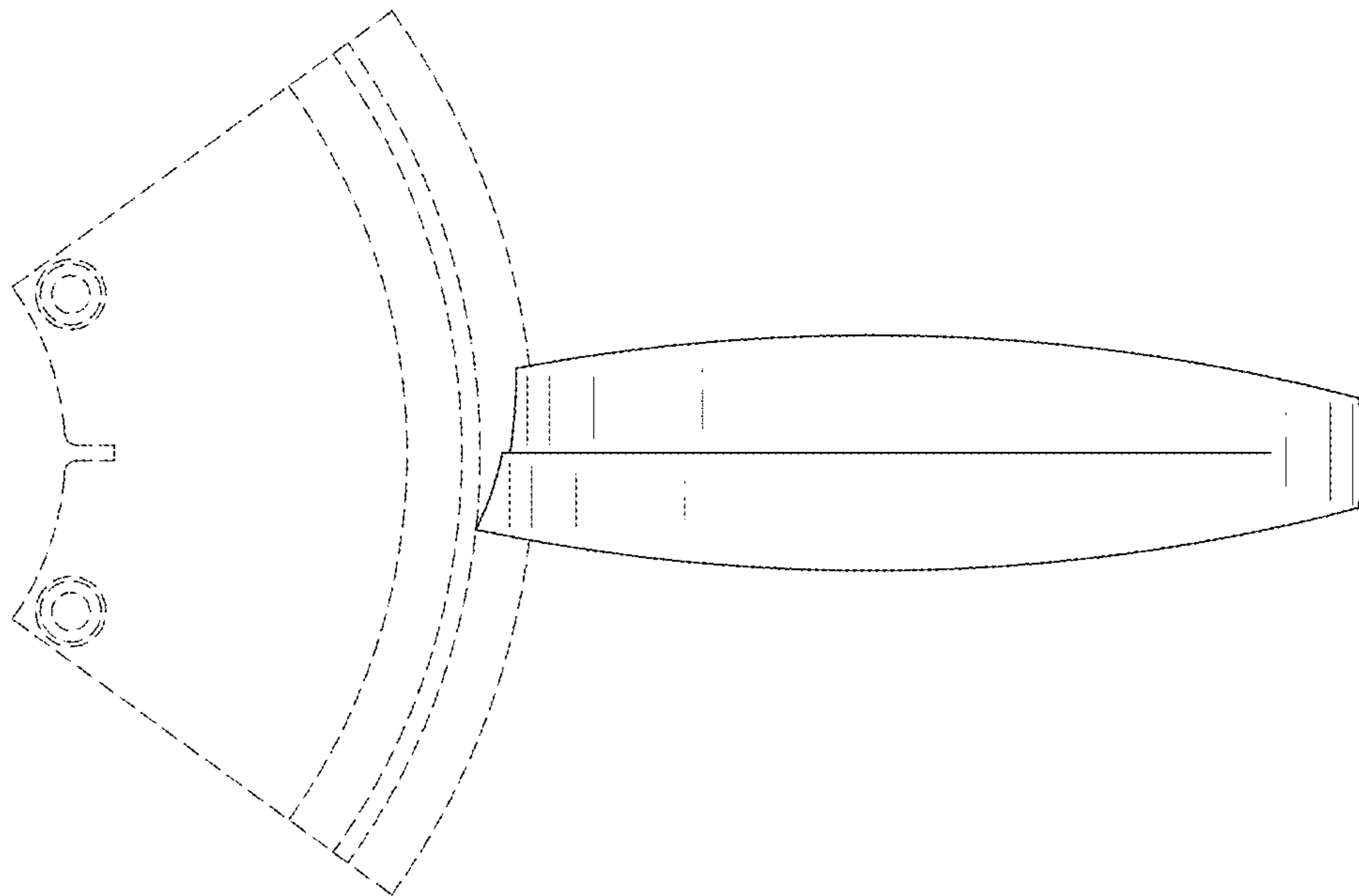


FIG. 7