



US00D704819S

(12) **United States Design Patent**  
**Wang**

(10) **Patent No.:** **US D704,819 S**

(45) **Date of Patent:** **\*\* May 13, 2014**

(54) **CEILING FAN MOTOR HOUSING WITH LIGHT KIT**

(75) Inventor: **Cliff Wang**, Taichung (TW)

(73) Assignee: **Air Cool Industrial Co., Ltd.**, Taichung (TW)

(\*\*) Term: **14 Years**

(21) Appl. No.: **29/425,014**

(22) Filed: **Jun. 19, 2012**

(51) **LOC (10) Cl.** ..... **23-04**

(52) **U.S. Cl.**  
USPC ..... **D23/411**

(58) **Field of Classification Search**

CPC ..... F04D 25/088; F21V 33/0096  
USPC ..... D23/411-414, 324, 331, 343, 385,  
D23/370-384, 387, 499; D8/323, 327, 349,  
D8/354, 373, 380-387, 394, 397, 398;  
D11/78.1, 86; D26/59, 72, 51, 73,  
D26/80-86, 88, 90; 16/265, 382, 388, 389;  
248/188, 243, 398; 392/361, 364;  
416/5, 170 R, 214 R, 184, 206, 207,  
416/210 R, 220 R, 244 R, 248

See application file for complete search history.

(56) **References Cited**

**U.S. PATENT DOCUMENTS**

1,813,023 A \* 7/1931 Cheslock et al. .... 392/361  
3,223,828 A \* 12/1965 Mast ..... 392/364  
5,333,235 A \* 7/1994 Ryder ..... 392/364  
D358,898 S \* 5/1995 Compton ..... D26/67  
5,668,920 A \* 9/1997 Pelonis ..... 392/361  
D391,657 S \* 3/1998 Compton ..... D26/68  
D397,482 S \* 8/1998 Binsukor ..... D26/85  
D400,278 S \* 10/1998 Binsukor ..... D26/67

D405,206 S \* 2/1999 Taylor et al. .... D26/67  
6,116,758 A \* 9/2000 Lin ..... 362/364  
D444,588 S \* 7/2001 Lin ..... D26/85  
D448,841 S \* 10/2001 Campbell ..... D23/411  
D477,682 S \* 7/2003 Wang ..... D26/67  
D485,002 S \* 1/2004 Lin ..... D26/85  
D485,609 S \* 1/2004 Tai ..... D23/377  
D485,897 S \* 1/2004 Tai ..... D23/377  
D497,447 S \* 10/2004 Yoneda ..... D26/72  
D530,039 S \* 10/2006 Blackman ..... D26/85  
D627,874 S \* 11/2010 Pan ..... D23/411  
D628,688 S \* 12/2010 Pan ..... D23/377  
D632,384 S \* 2/2011 Pan ..... D23/411  
D652,980 S \* 1/2012 Yoshida et al. .... D26/89  
D696,763 S \* 12/2013 Li ..... D23/366  
D697,246 S \* 1/2014 Martzall ..... D26/67  
D698,914 S \* 2/2014 Love et al. .... D23/377

\* cited by examiner

*Primary Examiner* — Susan Bennett Hattan

*Assistant Examiner* — Marie Fast Horse

(74) *Attorney, Agent, or Firm* — Ming Chow; Sinorica, LLC

(57) **CLAIM**

I claim the ornamental design for a ceiling fan motor housing with light kit, as shown and described.

**DESCRIPTION**

FIG. 1 is a front perspective view of a ceiling fan motor housing with light kit showing my new design;

FIG. 2 is a front elevational view thereof;

FIG. 3 is a rear elevational view thereof.

FIG. 4 is a left side elevational view thereof;

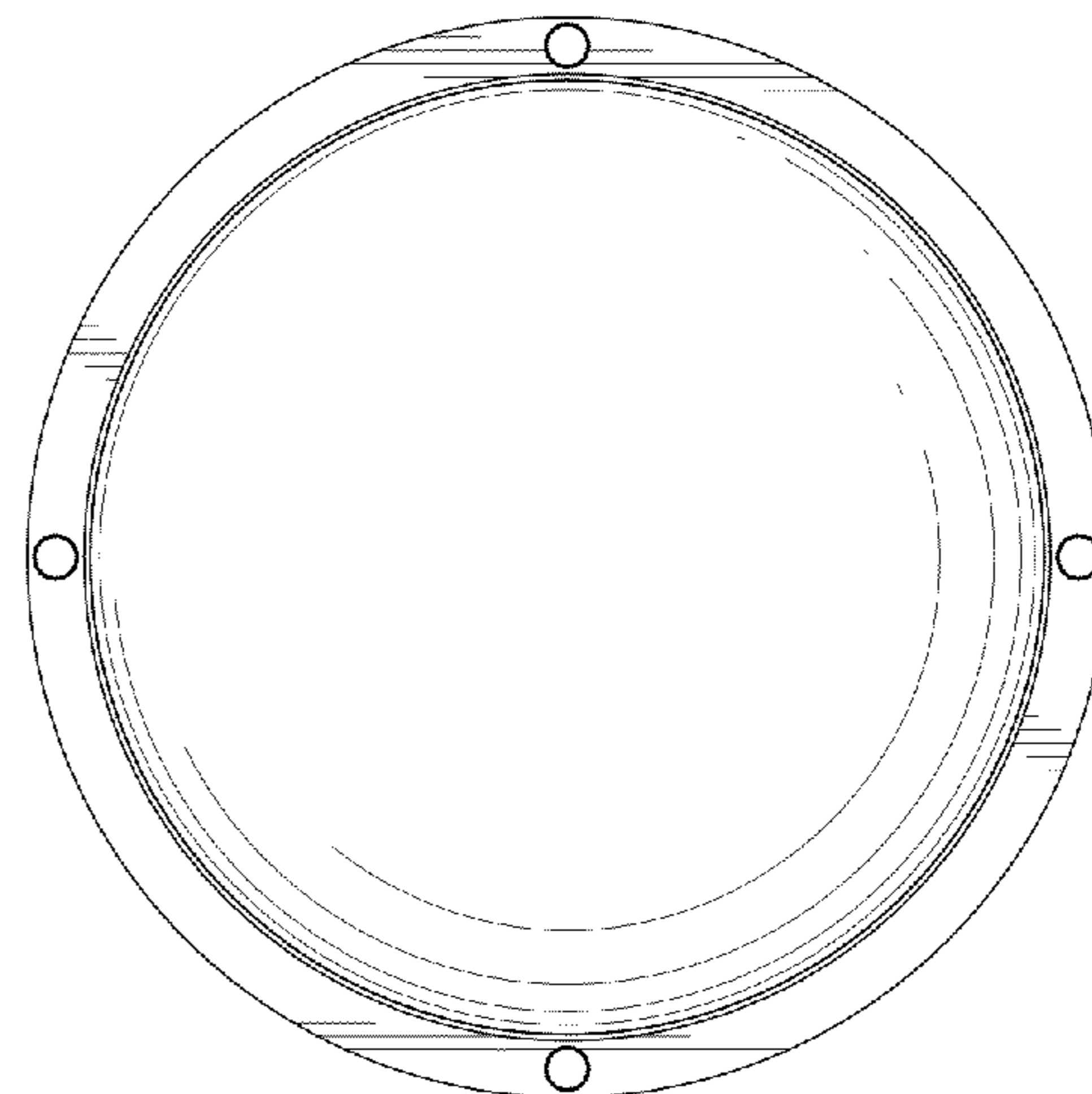
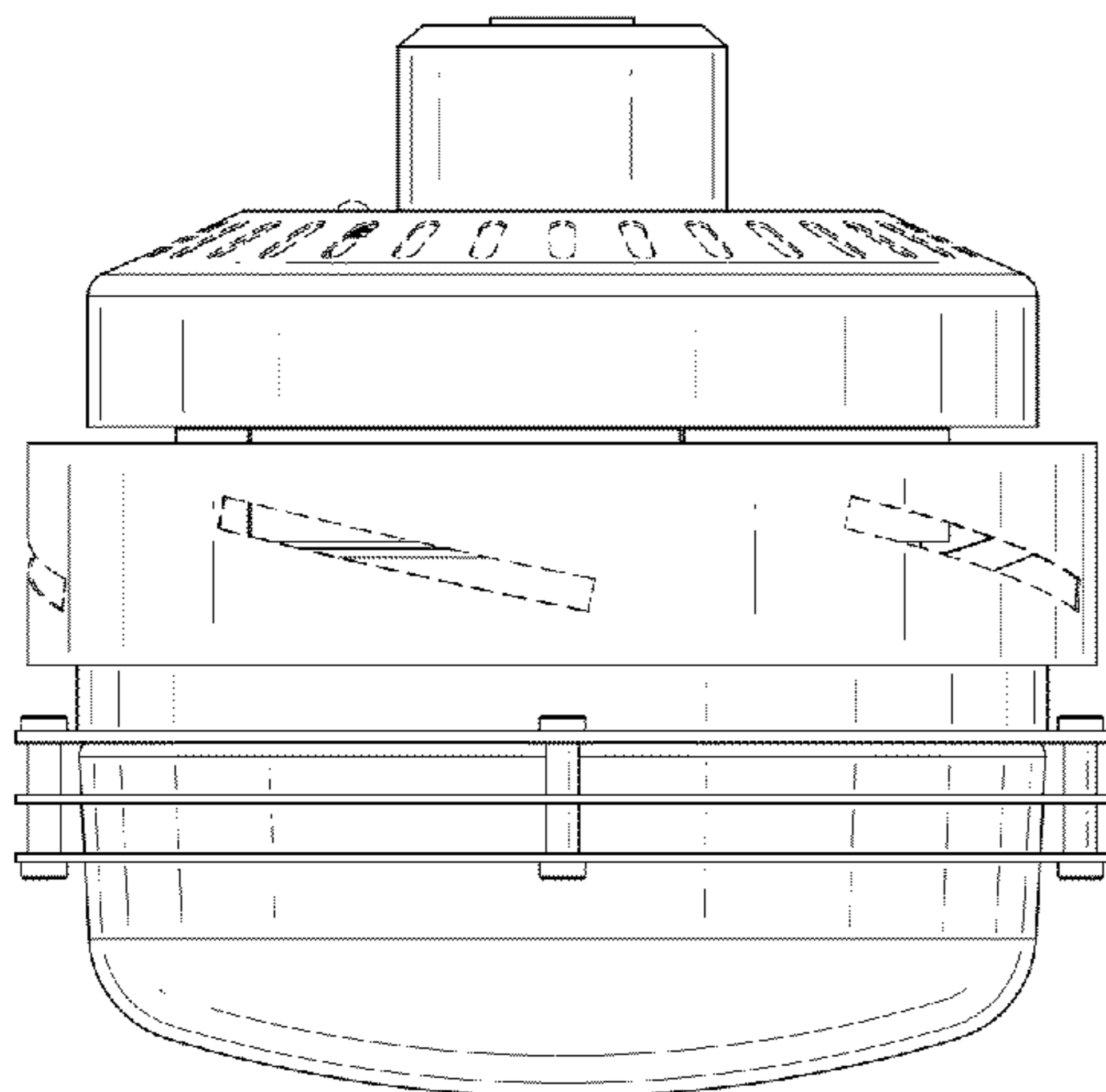
FIG. 5 is a right side elevational view thereof;

FIG. 6 is a top plan view thereof; and,

FIG. 7 is a bottom plan view thereof.

The broken lines in the drawings depict environmental subject matter only and form no part of the claimed design.

**1 Claim, 4 Drawing Sheets**



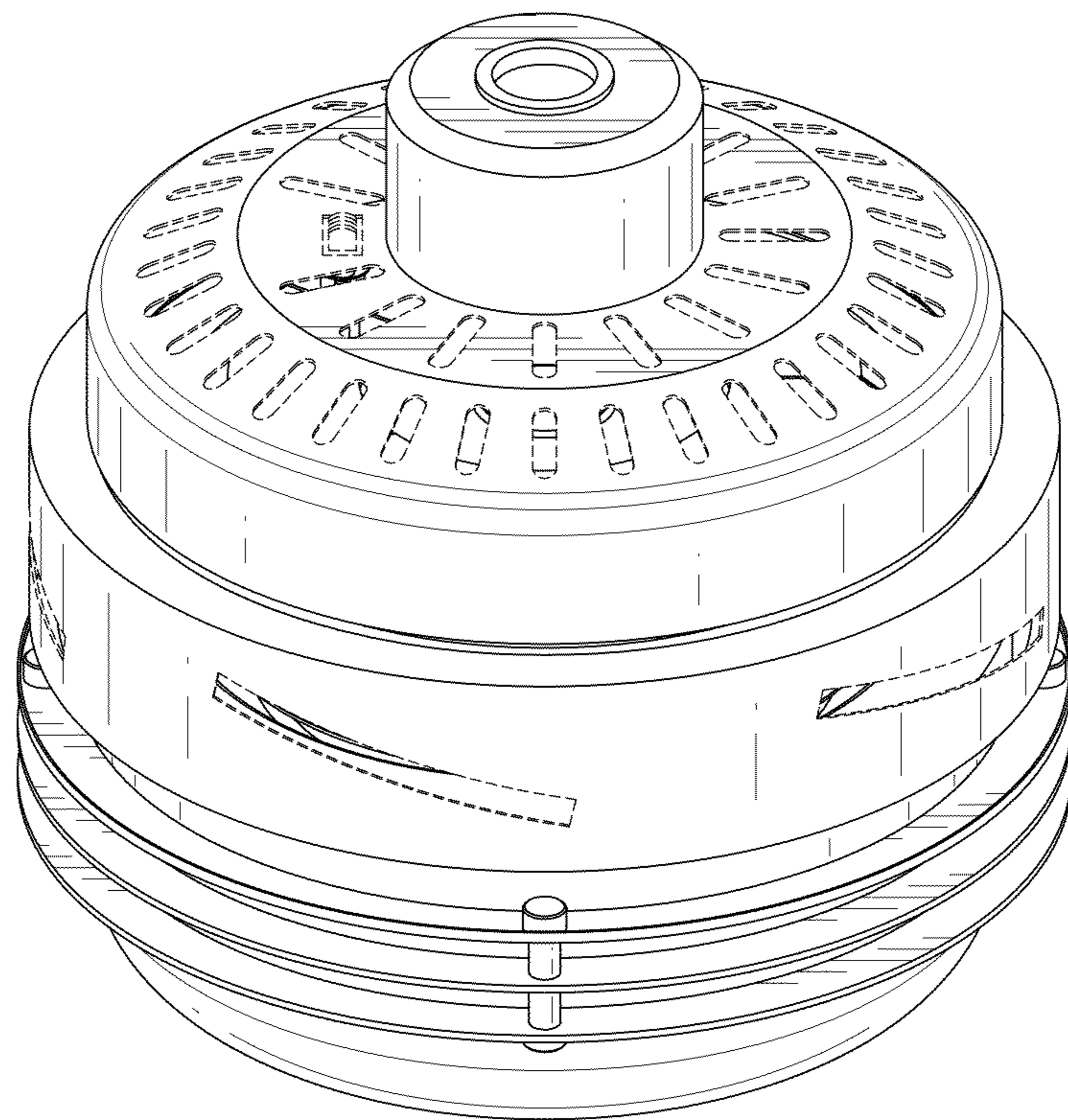


FIG. 1

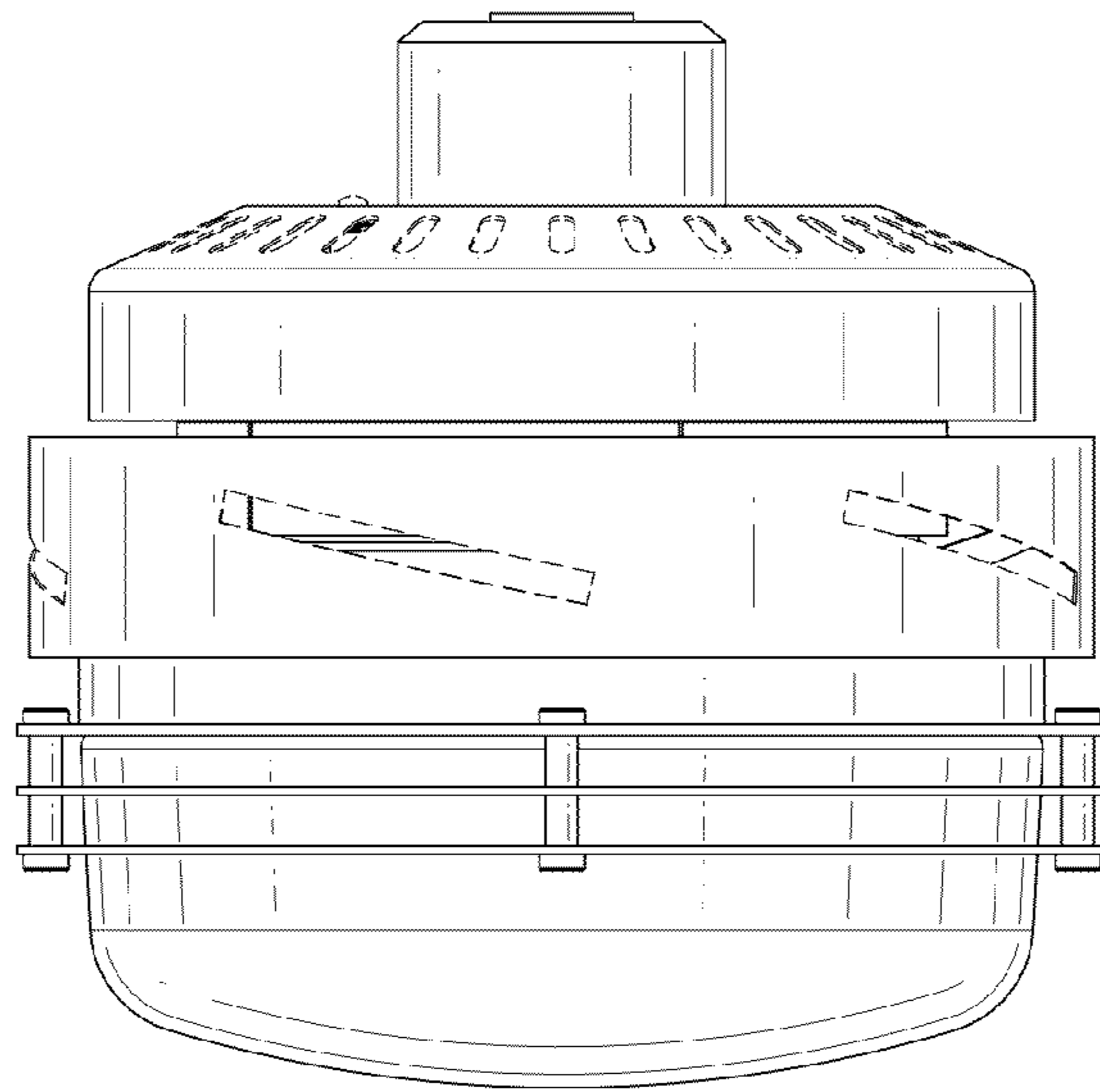


FIG. 2

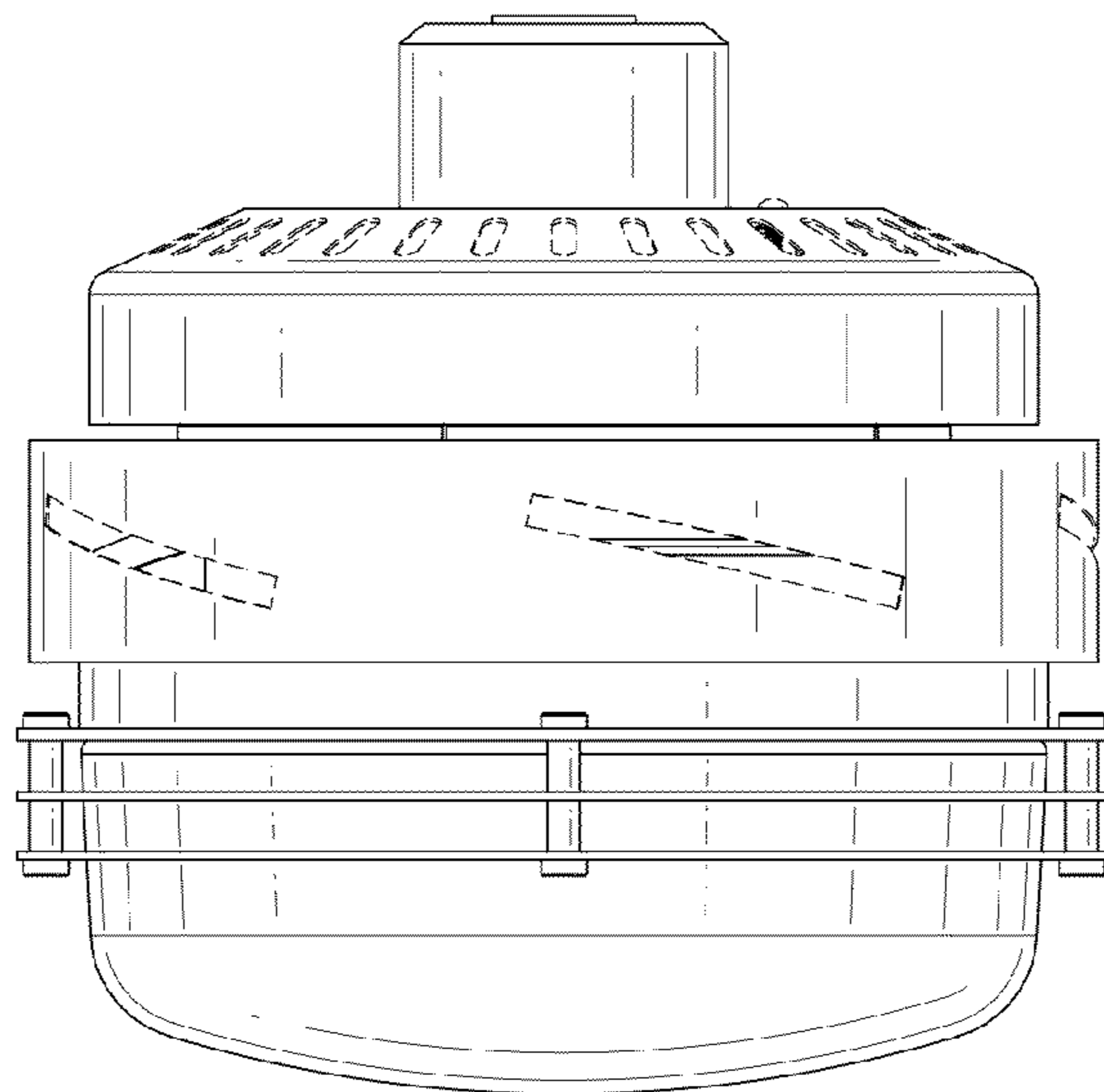


FIG. 3

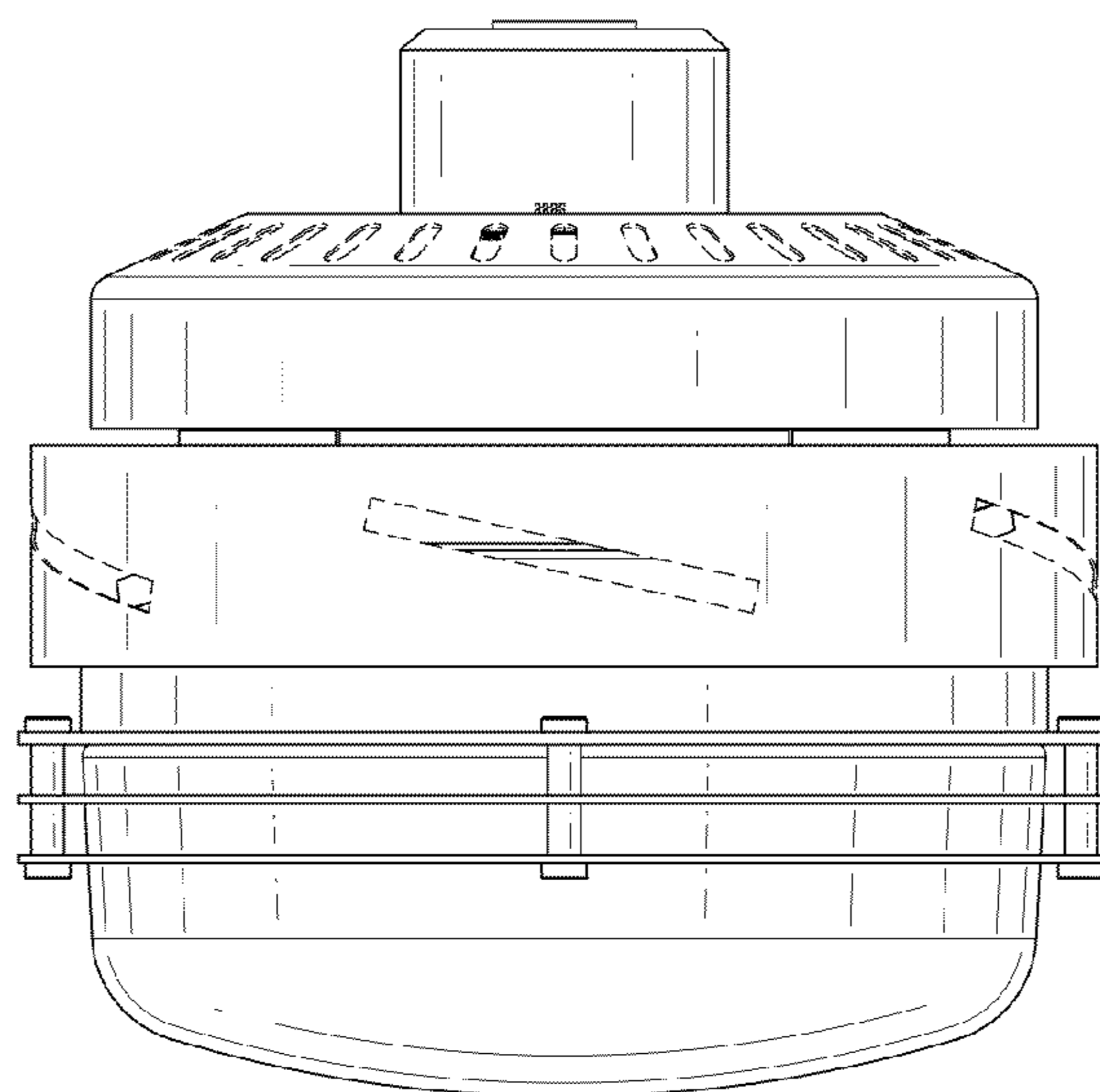


FIG. 4

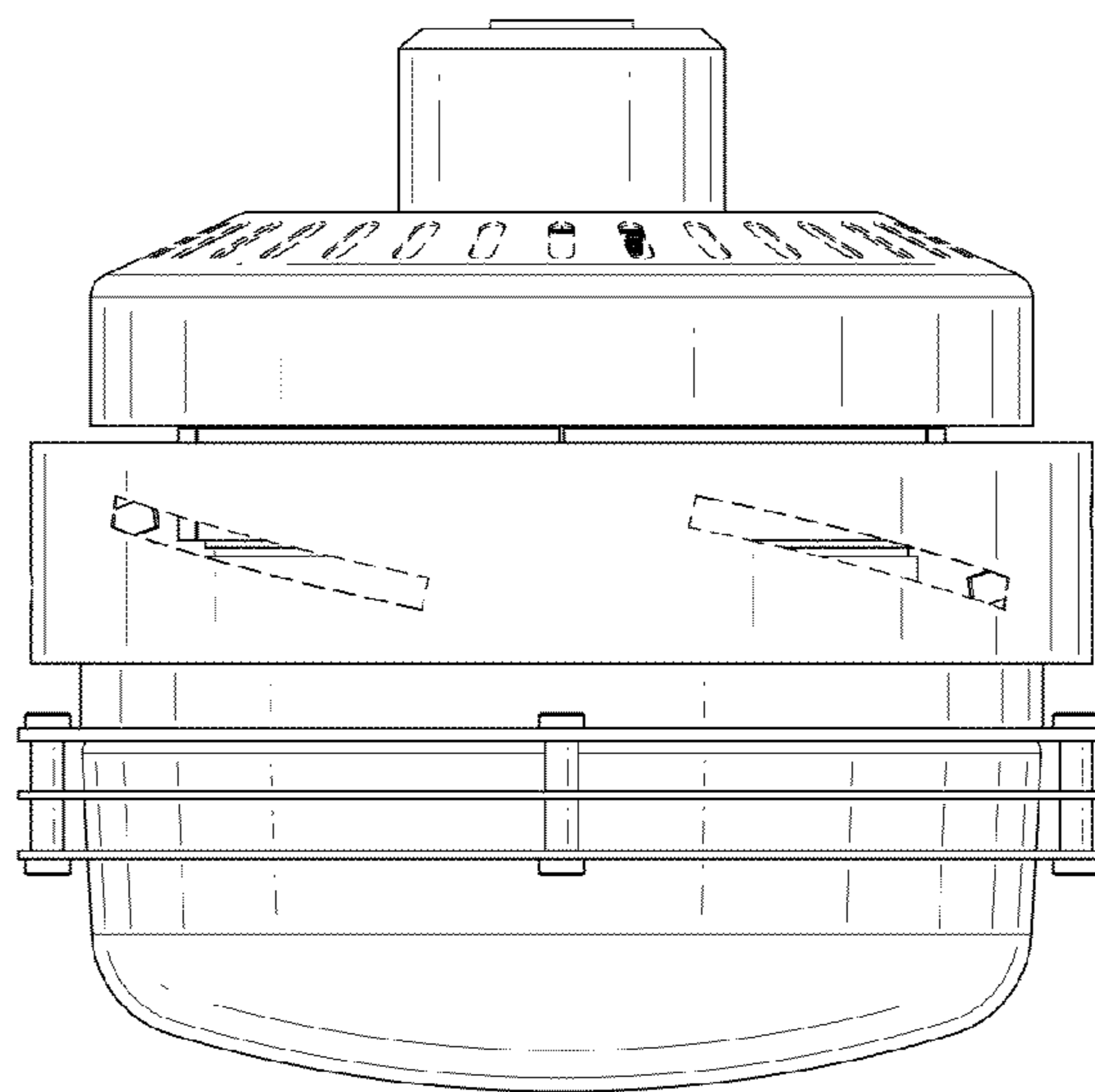


FIG. 5



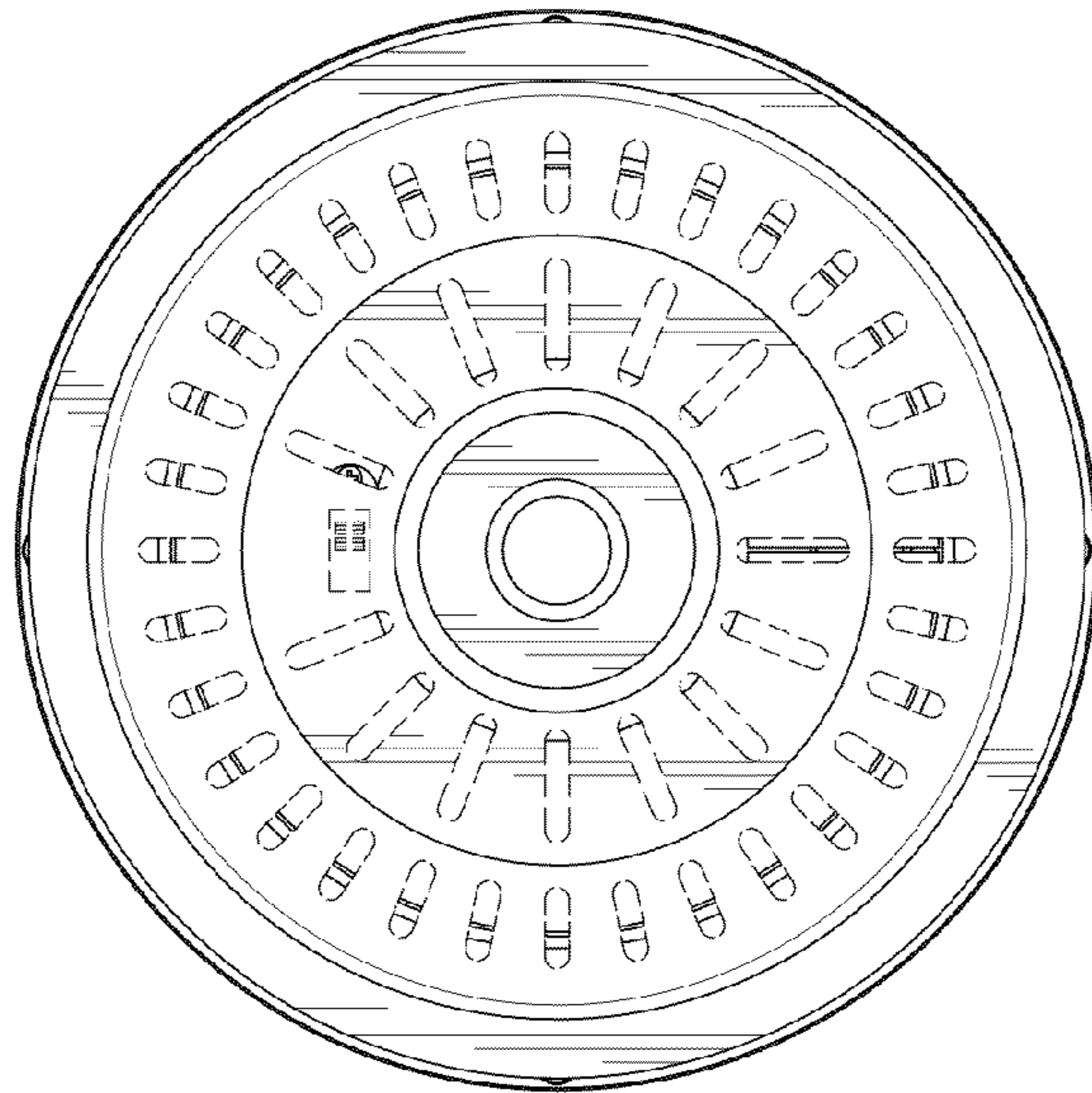


FIG. 6

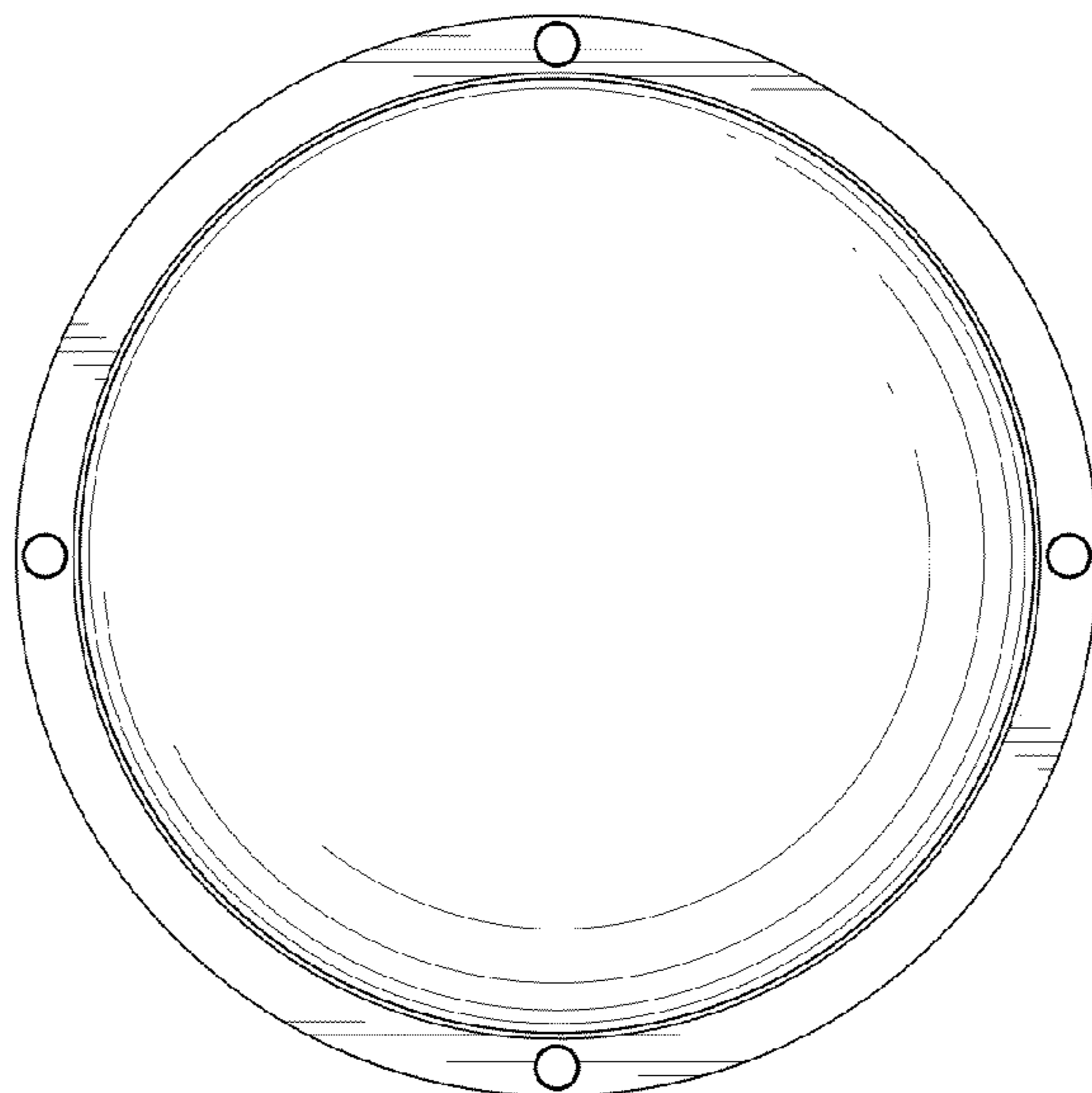


FIG. 7