



US00D704818S

(12) **United States Design Patent**
Allen et al.

(10) **Patent No.:** **US D704,818 S**

(45) **Date of Patent:** **** May 13, 2014**

(54) **BRACKET FOR MOUNTING A CEILING FAN**

(75) Inventors: **Philip Allen**, Wahroonga (AU); **David Stocks**, Bensville (AU); **Scott Ibbotson**, Pennant Hills (AU)

(73) Assignee: **Hunter Pacific International Pty Ltd** (AU)

(**) Term: **14 Years**

(21) Appl. No.: **29/424,189**

(22) Filed: **Jun. 8, 2012**

(30) **Foreign Application Priority Data**

Dec. 9, 2011 (AU) 15616/2011

(51) **LOC (10) Cl.** **23-04**

(52) **U.S. Cl.**
USPC **D23/411**

(58) **Field of Classification Search**
USPC D23/386, 411, 412, 499; 416/146 R, 416/244 R, 62, 5; D8/349; D6/512, 513; 439/537, 313, 286, 140, 314, 316, 333, 439/334, 92; 248/343, 228.7, 345, 342; 403/348-350, 90-93

See application file for complete search history.

(56) **References Cited**

U.S. PATENT DOCUMENTS

2,739,780	A *	3/1956	Richards	248/324
D358,365	S	5/1995	Rodeffer et al.		
6,042,072	A *	3/2000	Chi-Nan	248/343
6,877,703	B2 *	4/2005	Tang	248/342
7,050,306	B1	5/2006	Ribeiro et al.		
7,080,813	B1 *	7/2006	Frampton et al.	248/343
D544,441	S	6/2007	Sichner et al.		
D544,836	S	6/2007	Sichner et al.		
D545,762	S	7/2007	Sichner et al.		
7,261,520	B2 *	8/2007	Wang	416/244 R
D571,736	S	6/2008	Copeland et al.		

7,527,232	B2 *	5/2009	Frampton et al.	248/343
D593,962	S	6/2009	Ross et al.		
D625,252	S	10/2010	Nguyen et al.		
7,969,744	B2	6/2011	Mathes et al.		
8,107,243	B2	1/2012	Guccione et al.		
D660,806	S	5/2012	Wong		
2004/0256531	A1 *	12/2004	Tang	248/343
2005/0006549	A1 *	1/2005	Liu	248/343
2006/0263224	A1 *	11/2006	Wang	416/244 R
2008/0224013	A1 *	9/2008	Huang	248/343
2009/0034165	A1	2/2009	Tyler et al.		
2009/0141458	A1	6/2009	Liu et al.		

(Continued)

OTHER PUBLICATIONS

Notice of Allowance for U.S. Appl. No. 29/424,184, mailed Aug. 7, 2013, 8 pages.

(Continued)

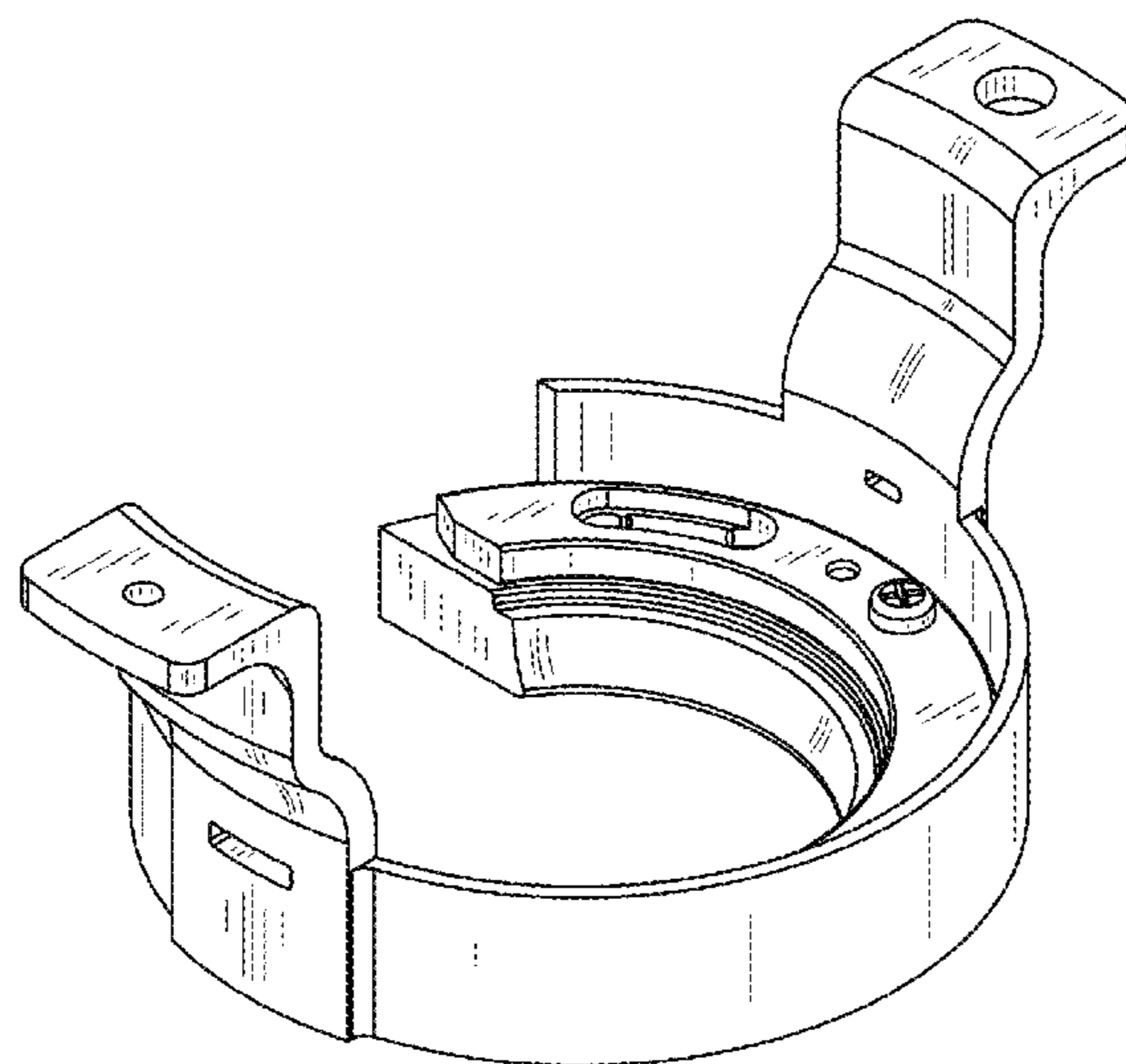
Primary Examiner — Eric Goodman
Assistant Examiner — Ryan Harvey
(74) *Attorney, Agent, or Firm* — Sheridan Ross PC

(57) **CLAIM**
The ornamental design for a bracket for mounting a ceiling fan, as shown.

DESCRIPTION

FIG. 1 is a top perspective view of the bracket for mounting a ceiling fan;
FIG. 2 is another top perspective view thereof;
FIG. 3 is a bottom perspective view thereof;
FIG. 4 is another bottom perspective view thereof;
FIG. 5 is a front elevation view thereof;
FIG. 6 is a rear elevation view thereof;
FIG. 7 is a top plan view thereof;
FIG. 8 is a bottom plan view thereof;
FIG. 9 is a left side view thereof; and,
FIG. 10 is a right side view thereof.

1 Claim, 10 Drawing Sheets



(56)

References Cited

U.S. PATENT DOCUMENTS

2009/0294620	A1 *	12/2009	Lin	248/343
2011/0031367	A1 *	2/2011	Wang	248/343
2011/0031368	A1 *	2/2011	Wang	248/343
2011/0103025	A1	5/2011	Ross et al.		
2012/0070223	A1 *	3/2012	Wimberley	403/90
2012/0162929	A1	6/2012	Huang		
2012/0307459	A1	12/2012	Sakuma et al.		

OTHER PUBLICATIONS

U.S. Appl. No. 29/424,183, filed Jun. 8, 2012, Allen et al.
U.S. Appl. No. 29/424,184, filed Jun. 8, 2012, Allen et al.
U.S. Appl. No. 29/424,185, filed Jun. 8, 2012, Allen et al.
U.S. Appl. No. 29/424,186, filed Jun. 8, 2012, Allen et al.
U.S. Appl. No. 29/424,188, filed Jun. 8, 2012, Allen et al.
U.S. Appl. No. 29/424,191, filed Jun. 8, 2012, Allen et al.
U.S. Appl. No. 29/424,193, filed Jun. 8, 2012, Allen et al.
U.S. Appl. No. 29/424,194, filed Jun. 8, 2012, Allen et al.

* cited by examiner

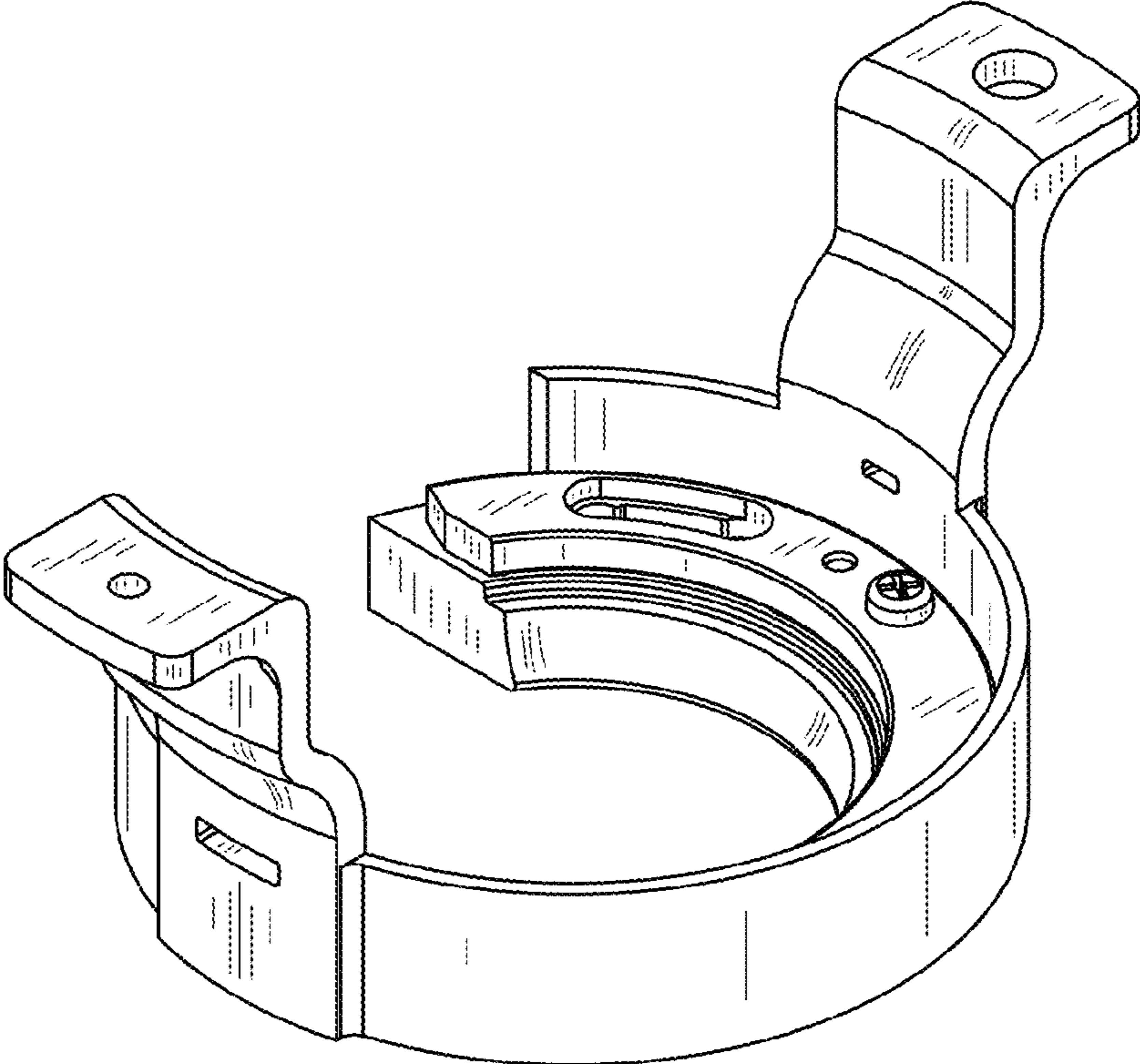


FIG.1

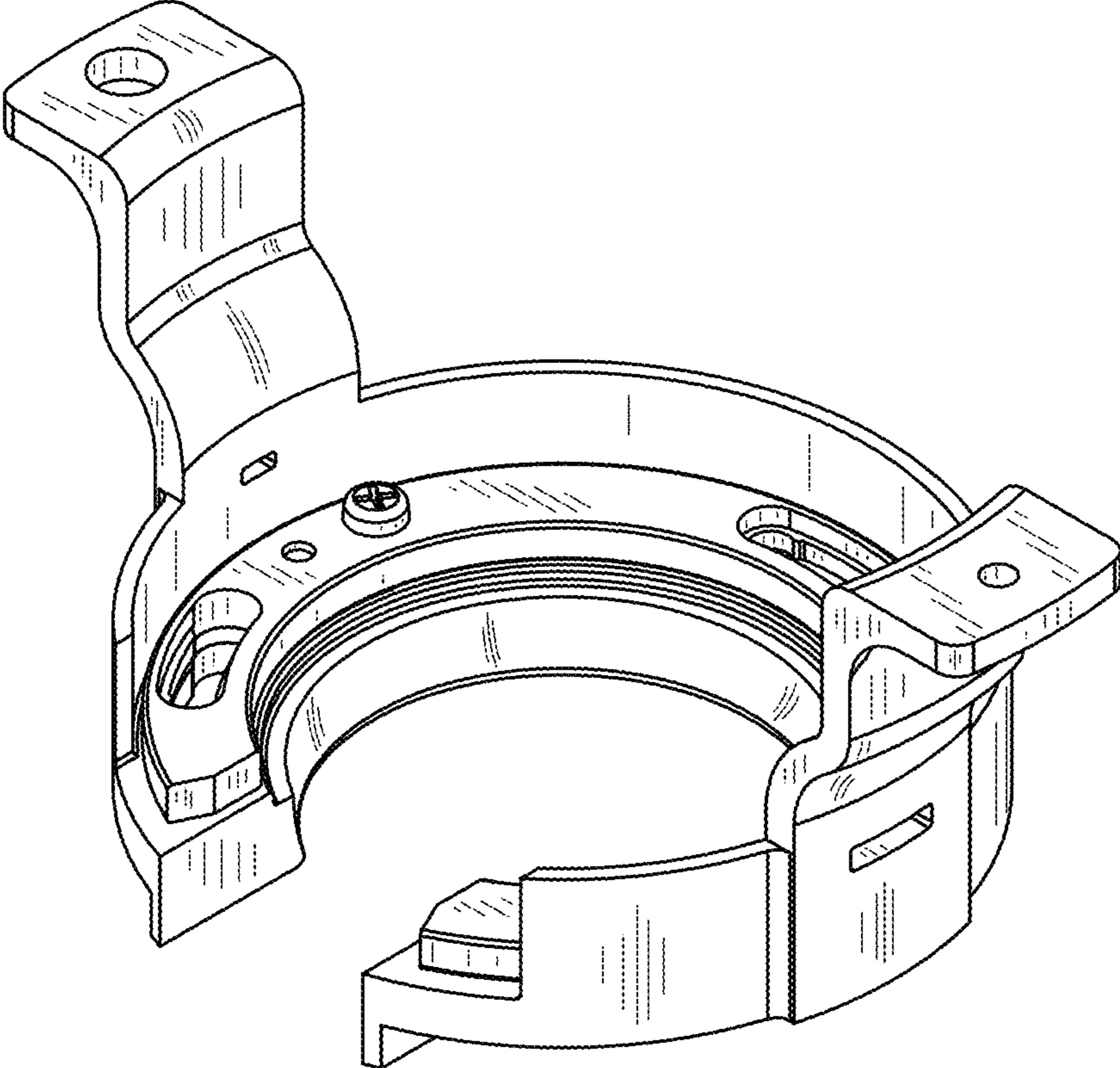


FIG.2

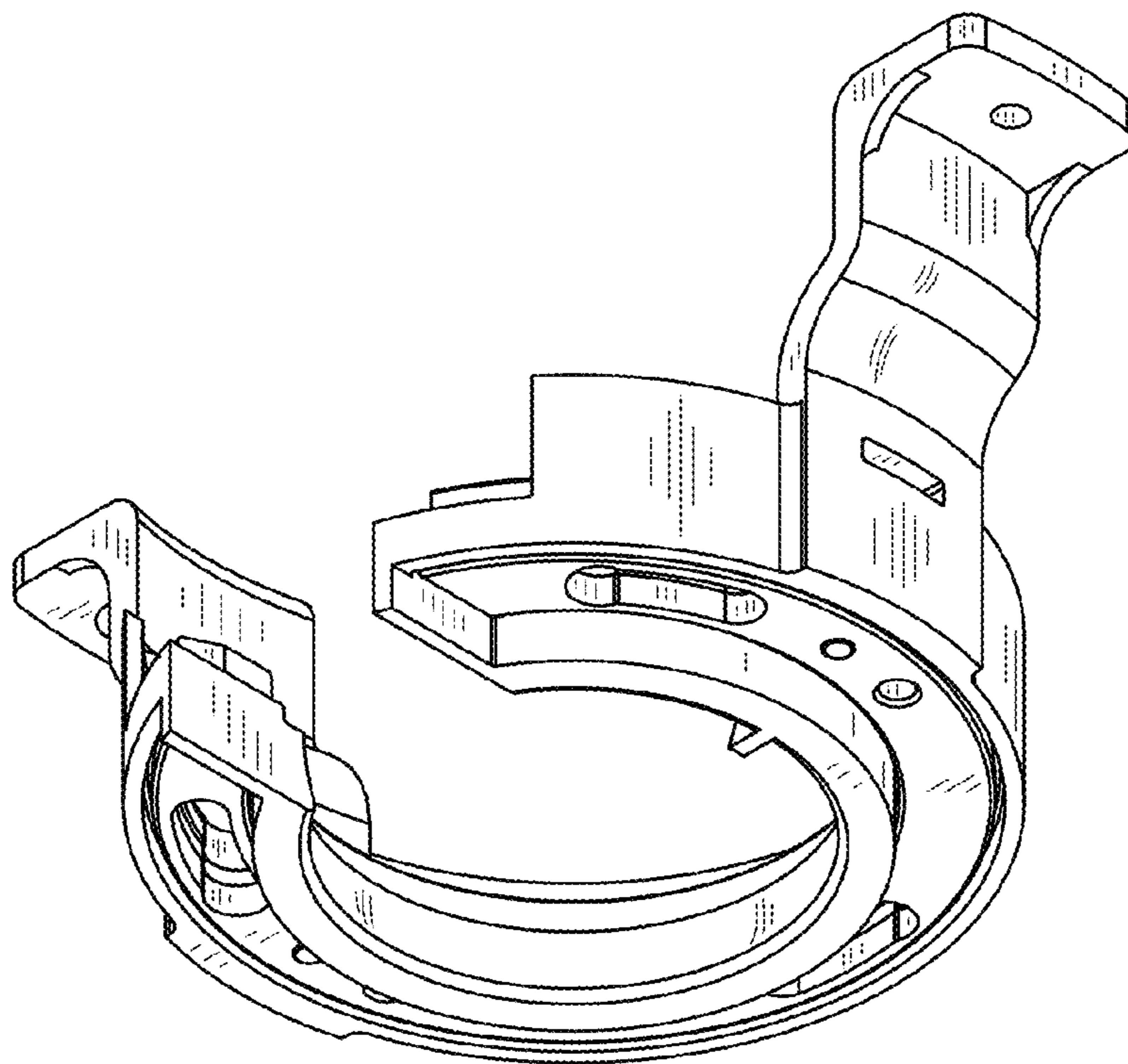


FIG.3

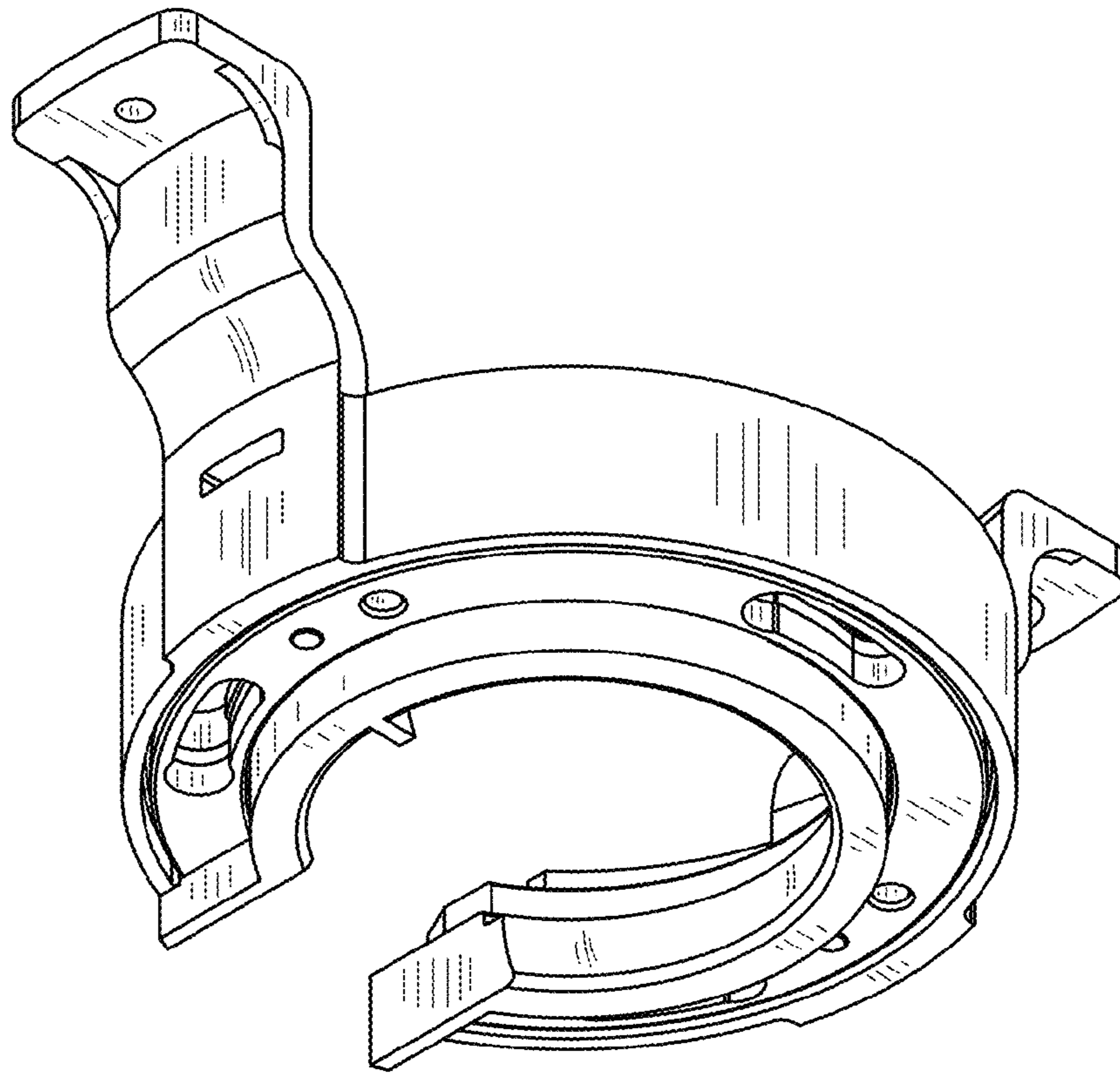


FIG.4

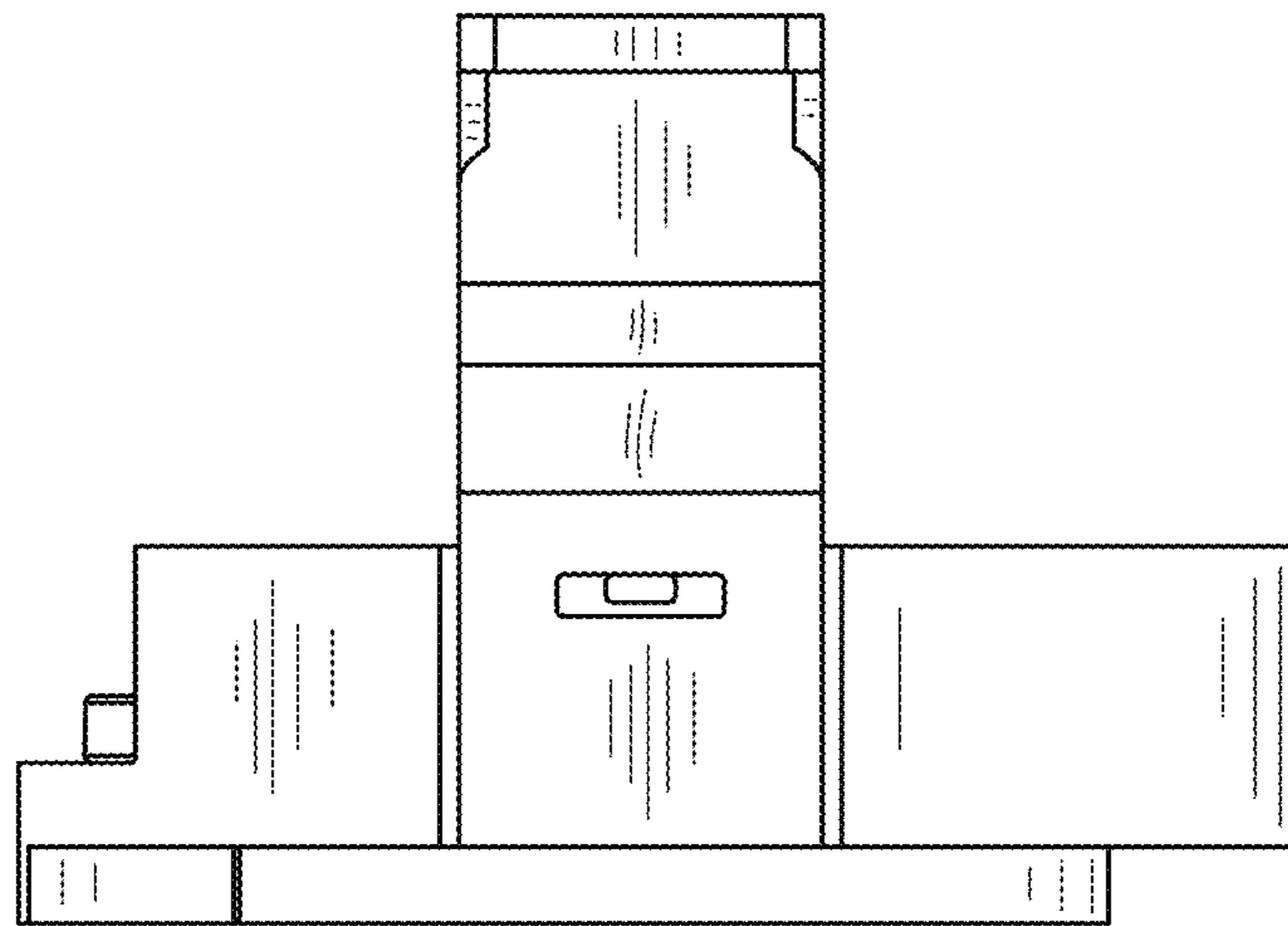


FIG.5

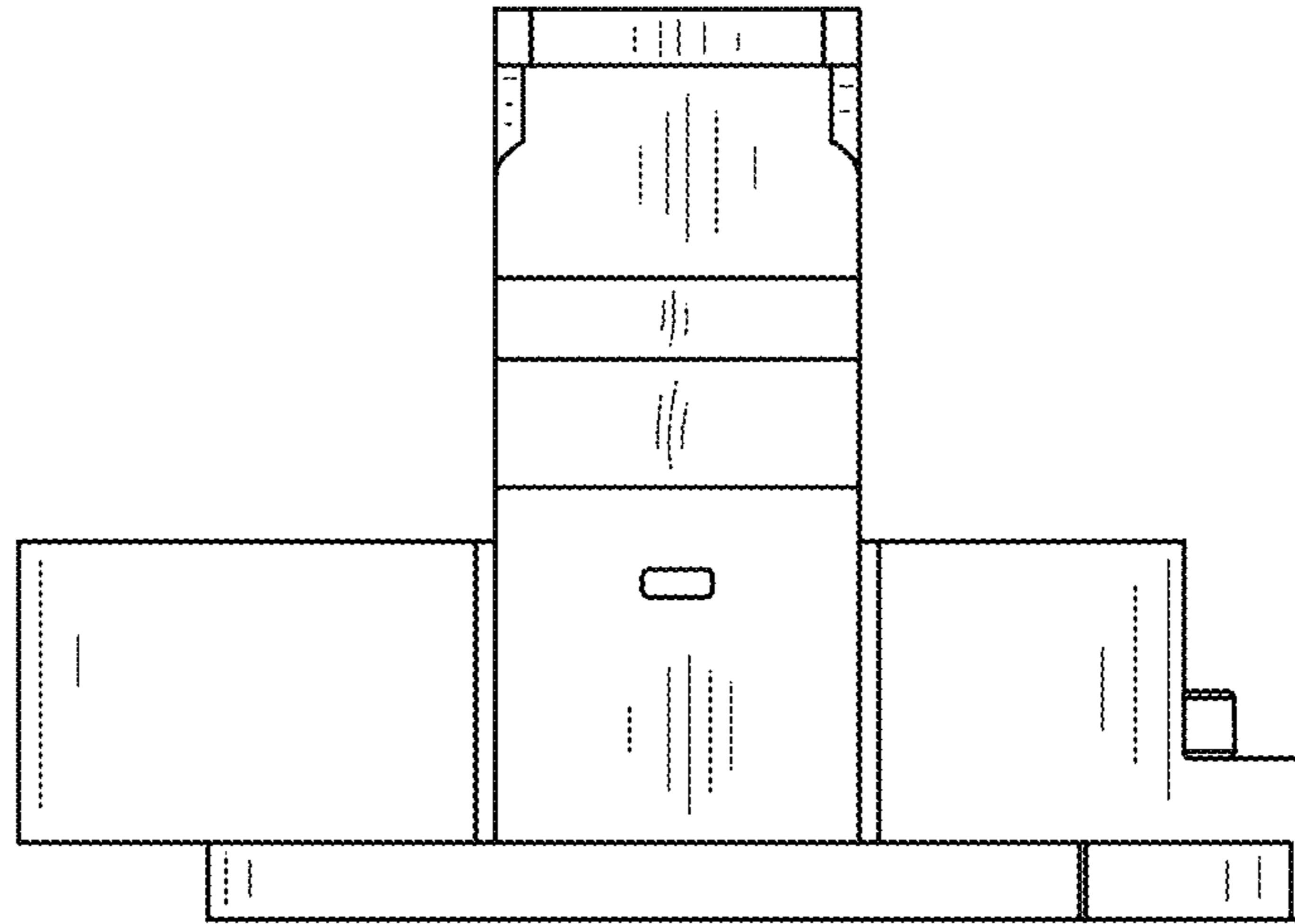


FIG.6

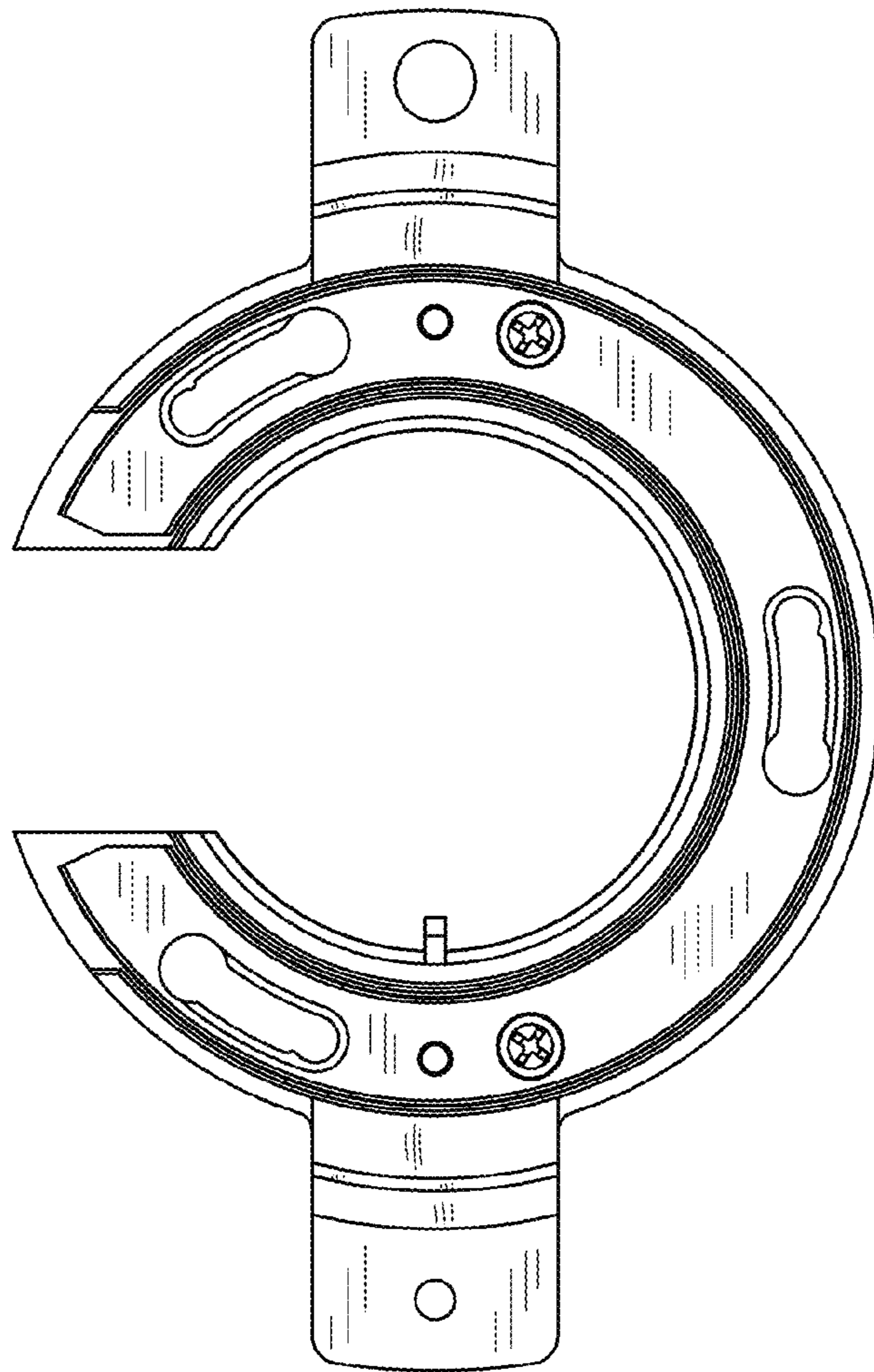


FIG.7

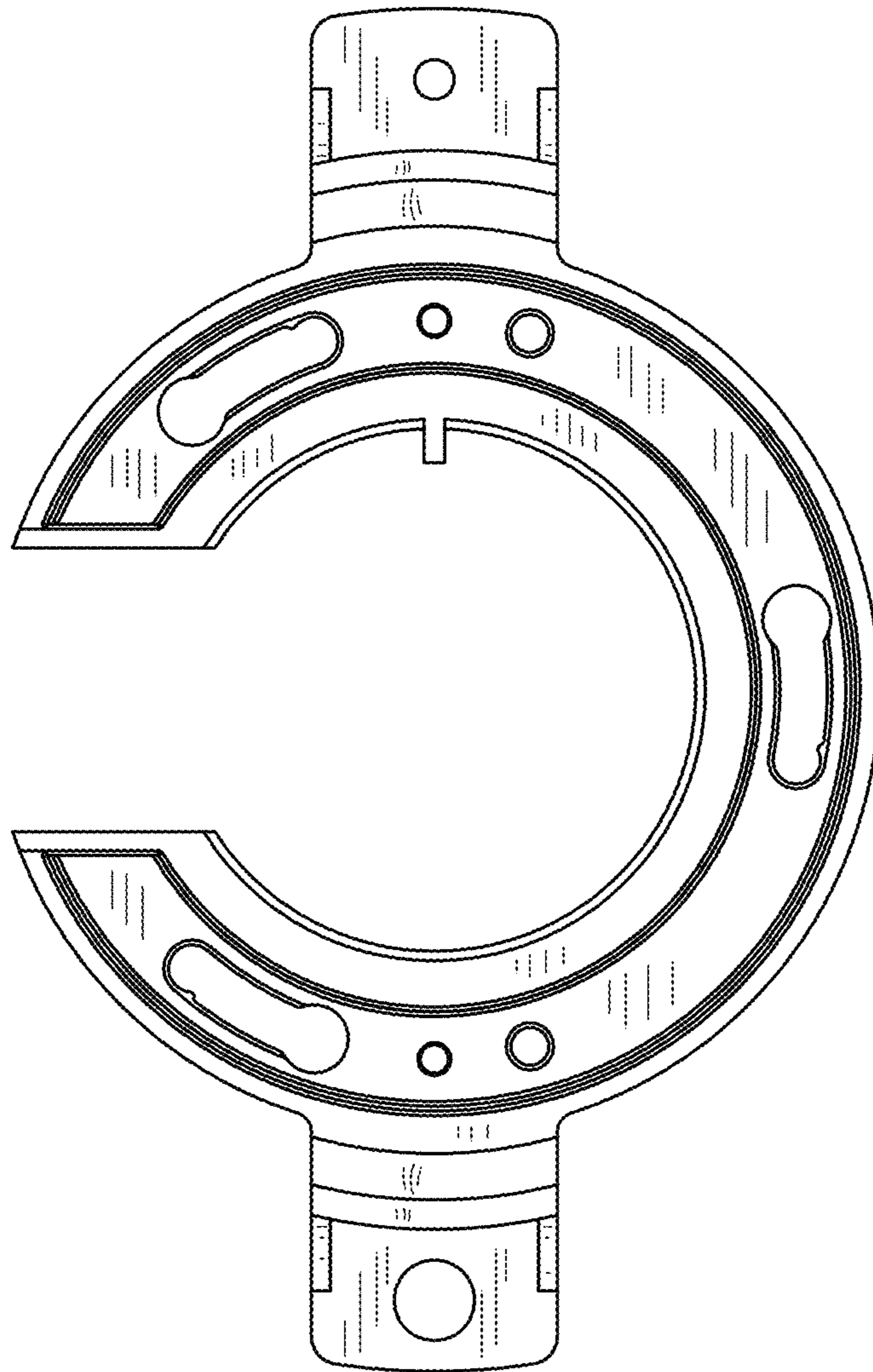


FIG.8

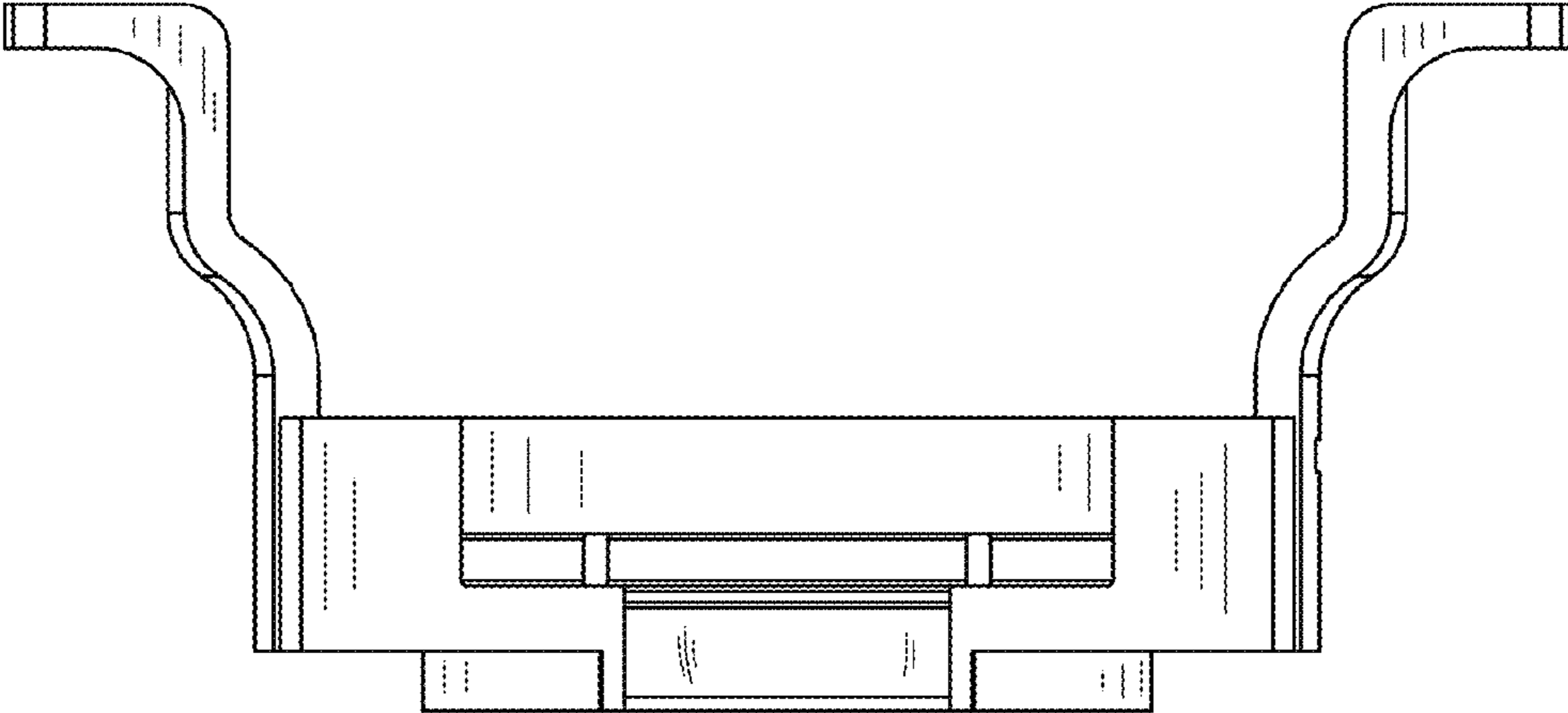


FIG.9

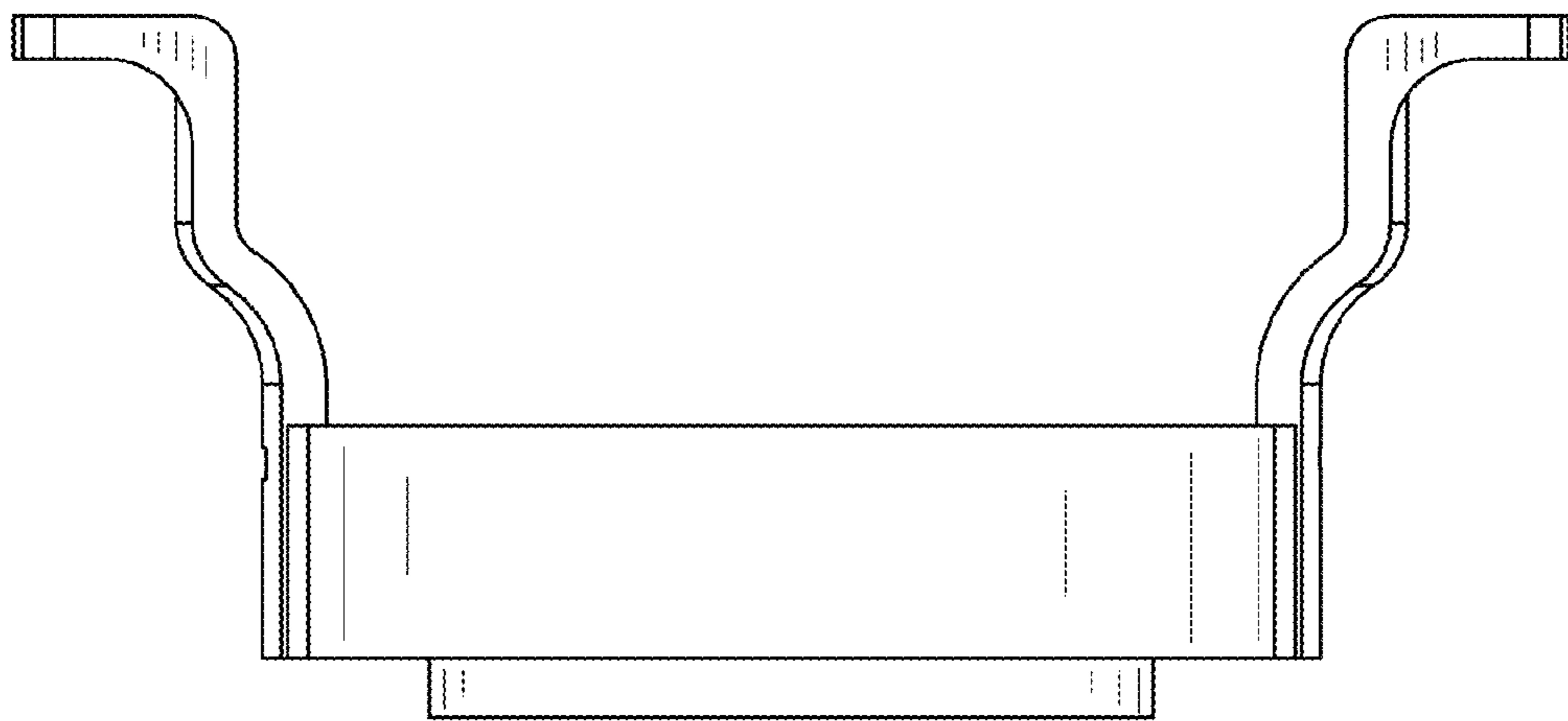


FIG.10