



US00D704815S

(12) **United States Design Patent**
Butler et al.

(10) **Patent No.:** **US D704,815 S**

(45) **Date of Patent:** **** May 13, 2014**

(54) **ROOF VENT GUARD**

(75) Inventors: **Matthew Butler**, Barrie (CA); **Greg Weatherell**, Barrie (CA)

(73) Assignee: **Vent Guard Plus Inc.** (CA)

(**) Term: **14 Years**

(21) Appl. No.: **29/427,844**

(22) Filed: **Jul. 23, 2012**

(30) **Foreign Application Priority Data**

Feb. 28, 2012 (CA) 144489
Feb. 28, 2012 (CA) 144490

(51) **LOC (10) Cl.** **23-04**

(52) **U.S. Cl.**
USPC **D23/393; D23/373**

(58) **Field of Classification Search**
USPC D23/370-385, 411-414, 365, 364, 328,
D23/314, 386-394, 259; 415/60, 66, 68,
415/208.1, 213.1, 214.1; 310/257; 361/695;
126/299 D, 299 R; D26/51, 72, 73;
D32/15, 16; 416/189; D13/179;
454/358-368; D25/199; 285/13, 43,
285/44; 52/58, 219

See application file for complete search history.

(56) **References Cited**

U.S. PATENT DOCUMENTS

D216,795 S * 3/1970 Field D23/373

D320,847 S *	10/1991	Lanigan	D23/371
D329,694 S *	9/1992	Wimberly	D23/373
6,767,281 B2 *	7/2004	McKee	454/367
D556,314 S *	11/2007	Daniels et al.	D23/393
D587,797 S *	3/2009	Blanchard	D23/370
7,651,390 B1 *	1/2010	Profeta et al.	454/307
D612,040 S *	3/2010	Daniels	D23/373
8,205,401 B2 *	6/2012	Ward	52/198
D666,707 S *	9/2012	Eikhoff et al.	D23/393
2010/0184366 A1 *	7/2010	Hassenstab	454/367
2013/0115871 A1 *	5/2013	Bourque et al.	454/365

* cited by examiner

Primary Examiner — Susan Bennett Hattan

Assistant Examiner — Janice Hallmark

(74) *Attorney, Agent, or Firm* — Banner & Witcoff, Ltd.

(57) **CLAIM**

The ornamental design for a roof vent guard, as shown and described.

DESCRIPTION

FIG. 1 is a perspective view of a roof vent guard showing our new design;

FIG. 2 is a left side view thereof;

FIG. 3 is a top plan view thereof

FIG. 4 is a right side view thereof;

FIG. 5 is a front view thereof;

FIG. 6 is a rear side view thereof; and,

FIG. 7 is a bottom view thereof.

1 Claim, 3 Drawing Sheets

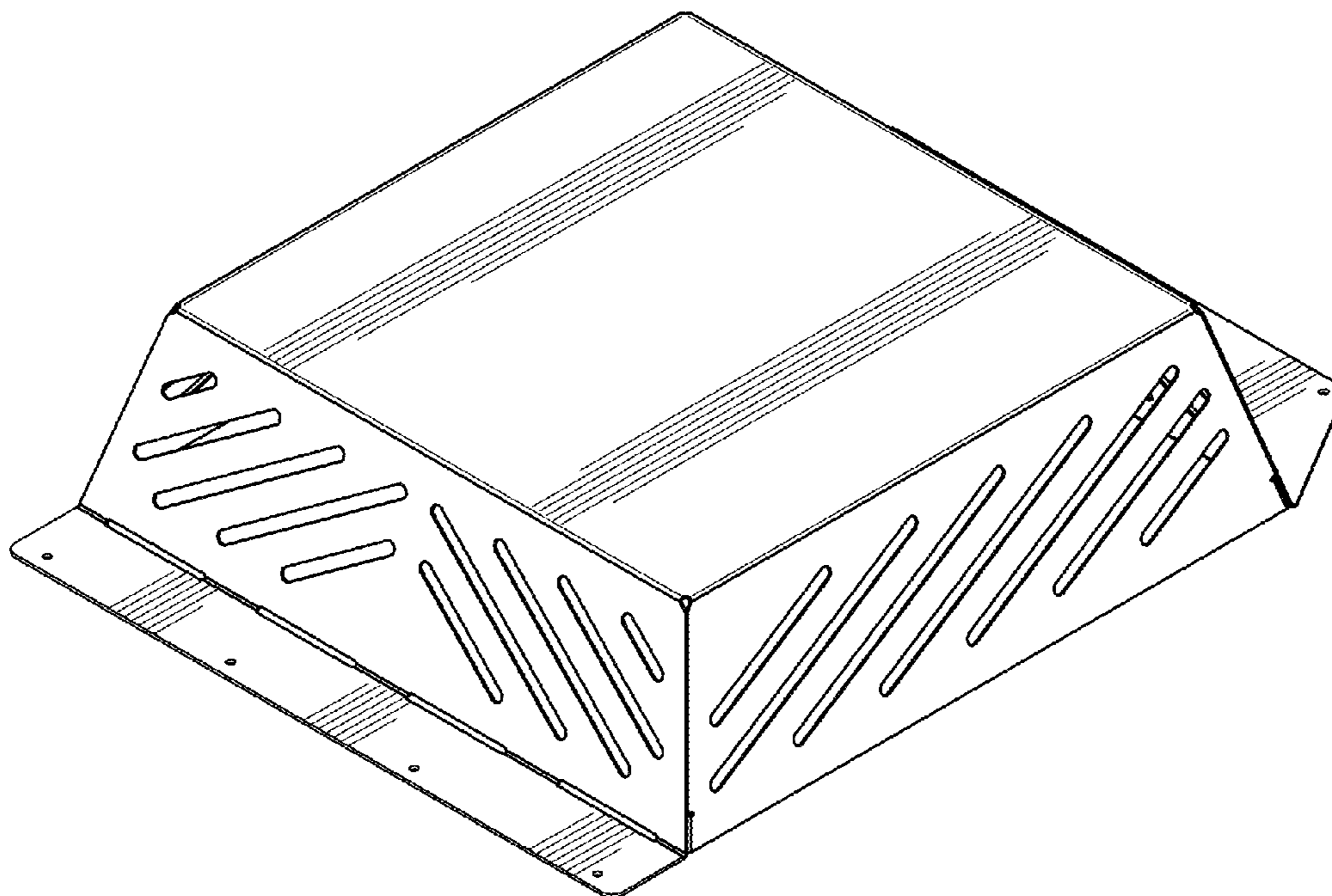


Fig.1

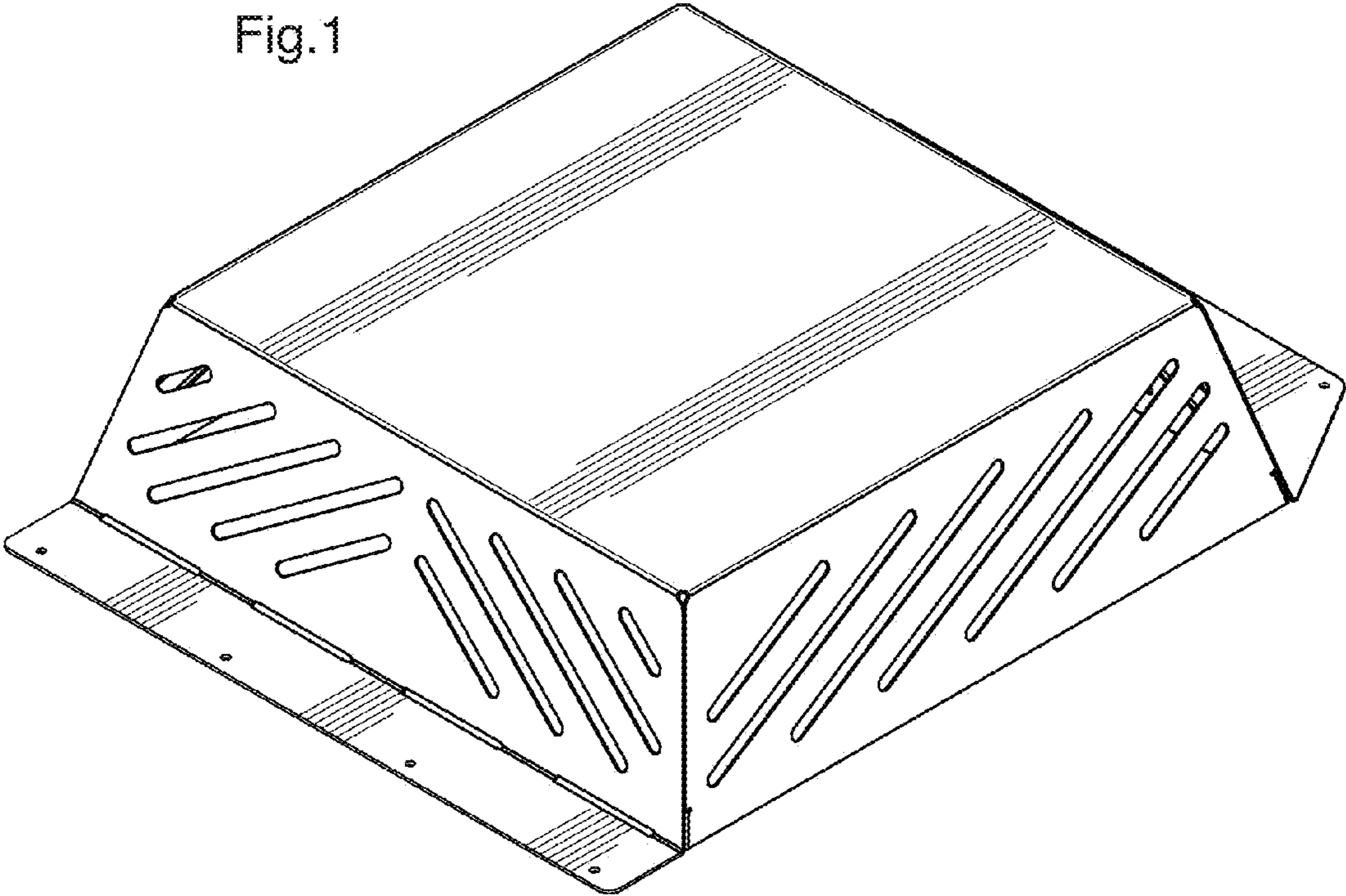


Fig.2

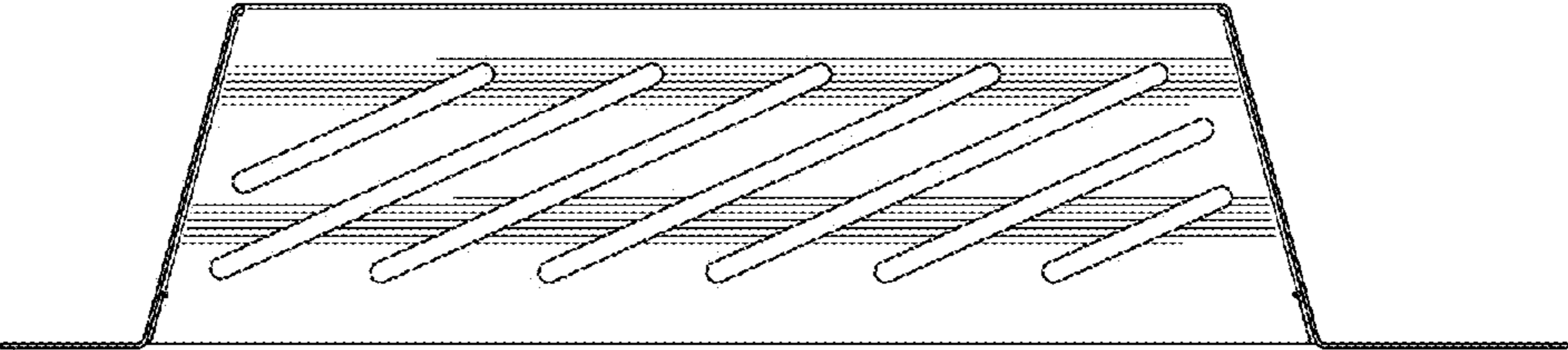


Fig.3

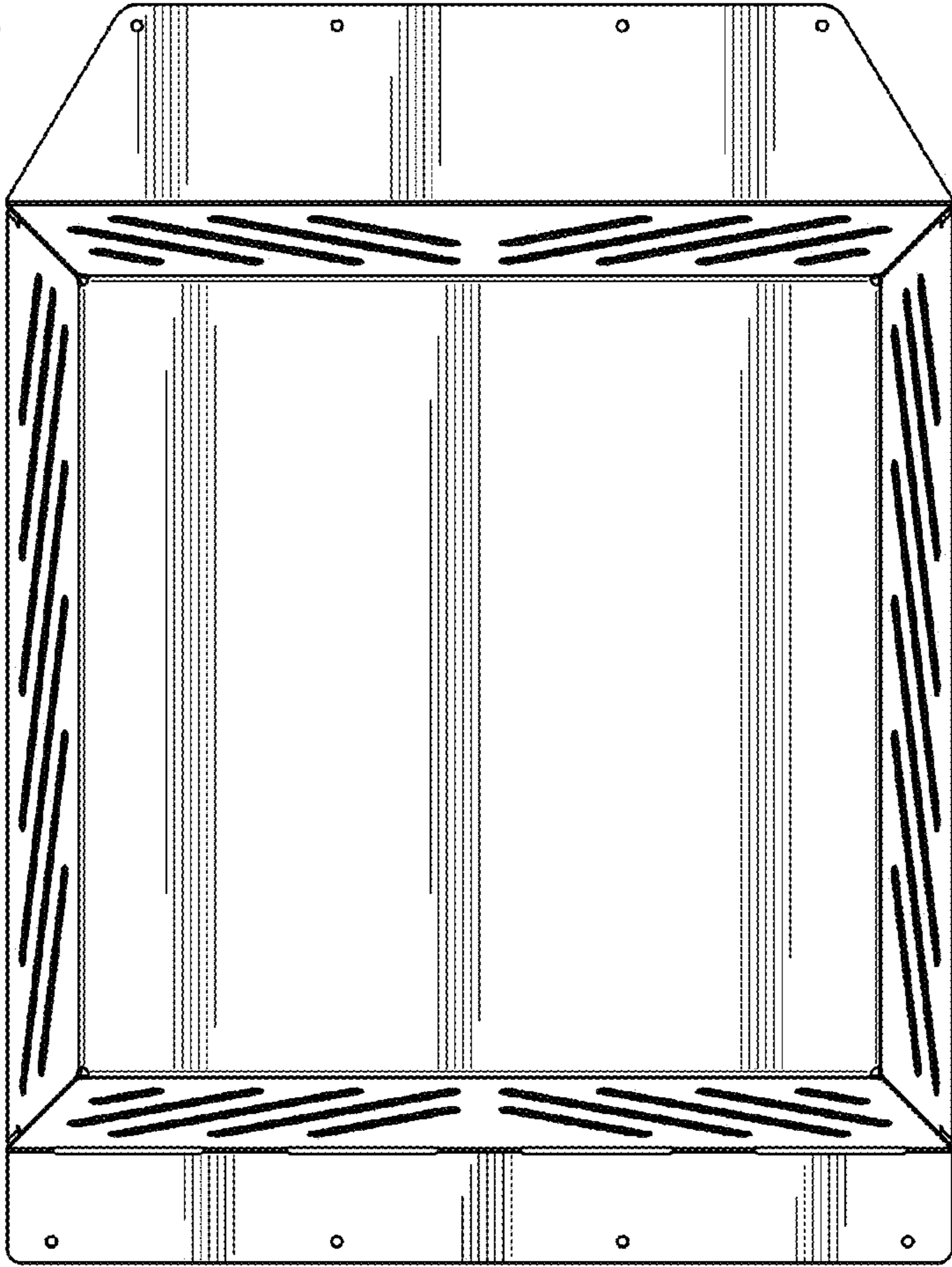


Fig.4

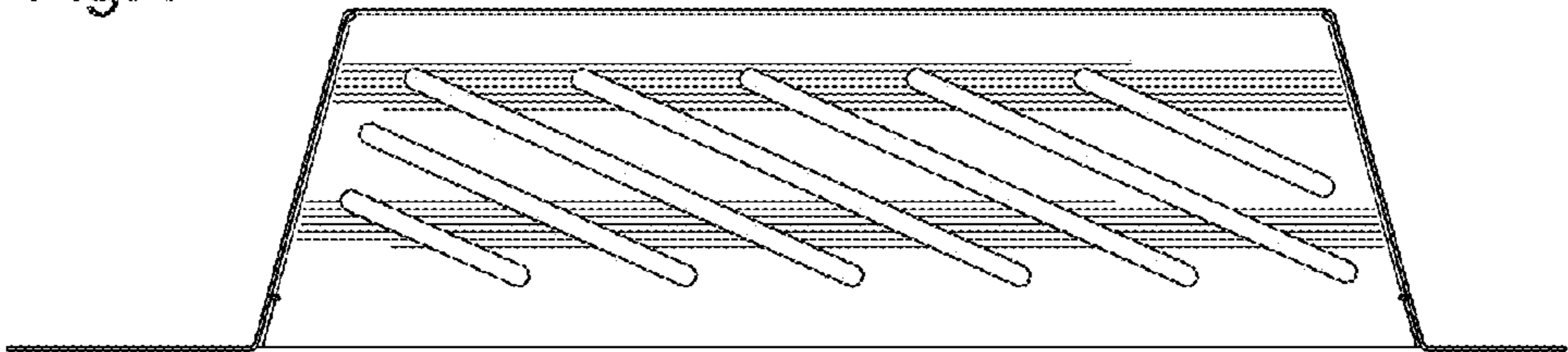


Fig.5

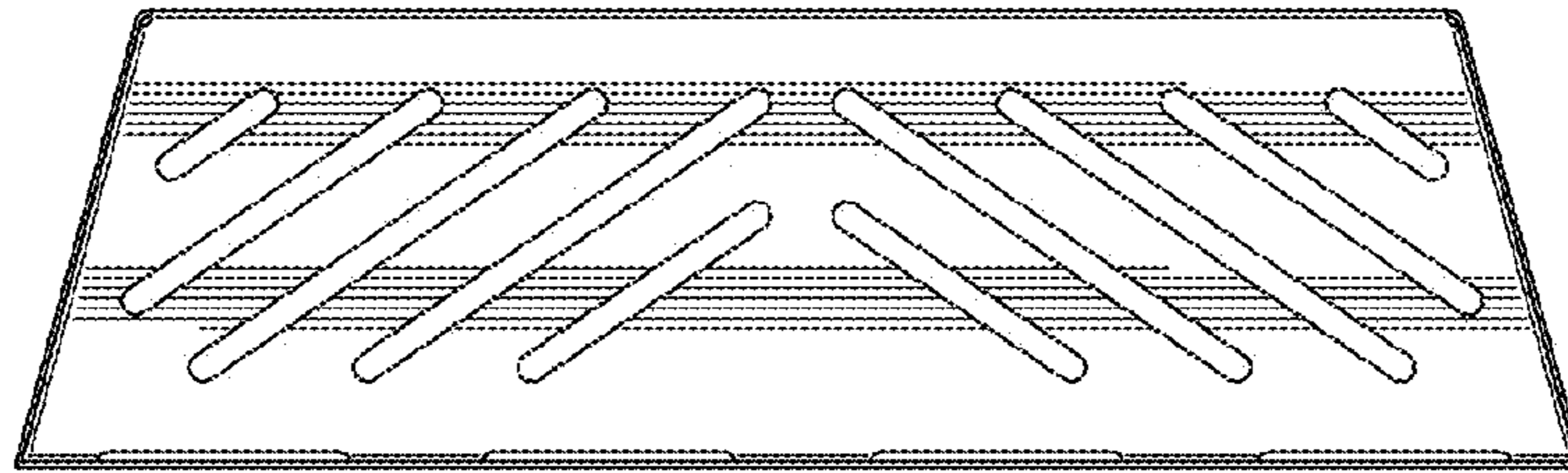


Fig.6

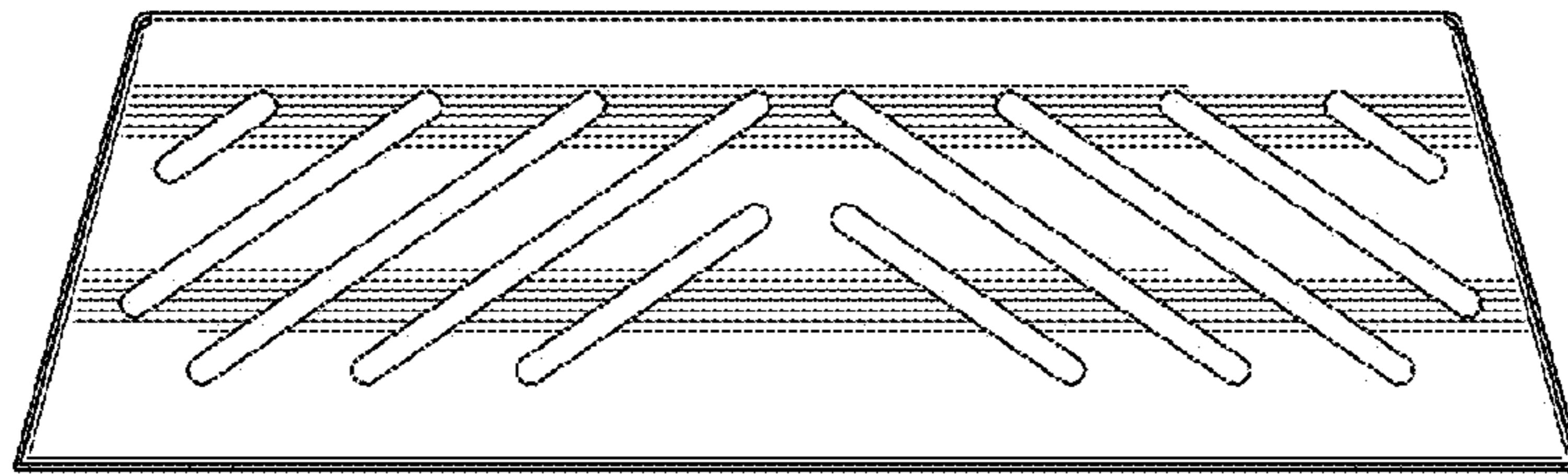


Fig.7

