



US00D704814S

(12) **United States Design Patent**
Kim

(10) **Patent No.:** **US D704,814 S**

(45) **Date of Patent:** **** May 13, 2014**

(54) **EXHAUSTION PANEL FOR A CLEAN ROOM**

(56)

References Cited

(75) Inventor: **Myun Soo Kim**, Guachun (KR)

U.S. PATENT DOCUMENTS

(73) Assignee: **Hae Kwang Co., Ltd.**, Jincheon-Gun (KR)

D537,519 S *	2/2007	Sigillo	D23/393
D561,327 S *	2/2008	DeJonge et al.	D23/397
7,908,879 B1 *	3/2011	Chen	62/259.1
D666,707 S *	9/2012	Eikhoff et al.	D23/393

(**) Term: **14 Years**

* cited by examiner

(21) Appl. No.: **29/422,892**

Primary Examiner — Doris Clark

(22) Filed: **May 24, 2012**

(74) *Attorney, Agent, or Firm* — Steptoe & Johnson LLP

(30) **Foreign Application Priority Data**

(57) **CLAIM**

The ornamental design for an exhaustion panel for a clean room, as shown and described.

Mar. 19, 2012 (KR) 30-2012-0012746

DESCRIPTION

(51) **LOC (10) Cl.** **23-04**

FIG. 1 is a perspective view of an exhaustion panel for a clean room showing my new design;
FIG. 2 is a front view thereof;
FIG. 3 is a rear view thereof;
FIG. 4 is a left side view thereof;
FIG. 5 is a right side view thereof;
FIG. 6 is a top plan view thereof;
FIG. 7 is a bottom plan view thereof; and,
FIG. 8 is a rear perspective reference view of an exhaustion panel for a clean room thereof.

(52) **U.S. Cl.**

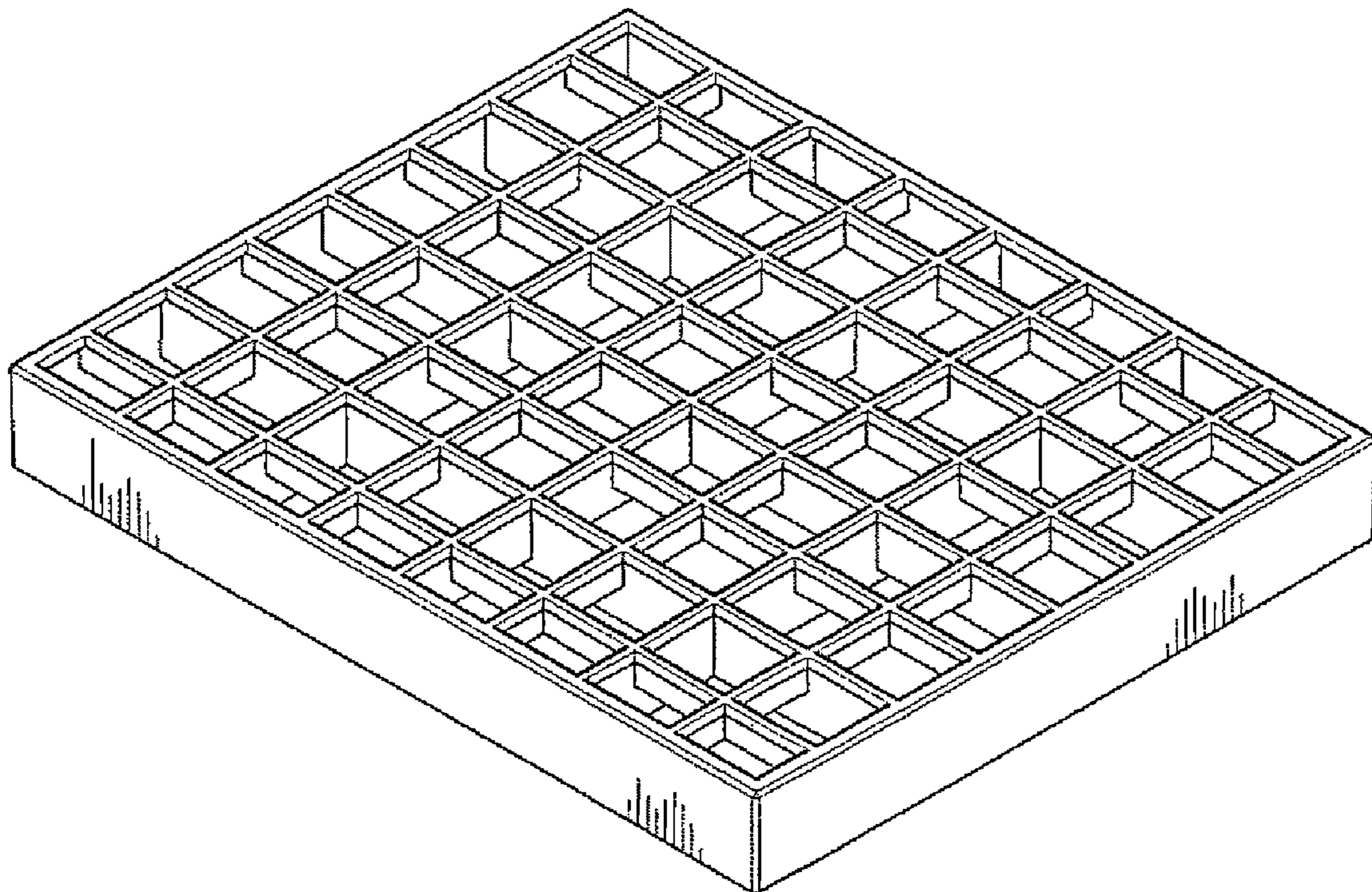
USPC **D23/393**

(58) **Field of Classification Search**

USPC D23/371, 320, 381, 387, 327, 393, 355,
D23/397; 52/220.8; 62/903, 259.1

See application file for complete search history.

1 Claim, 8 Drawing Sheets



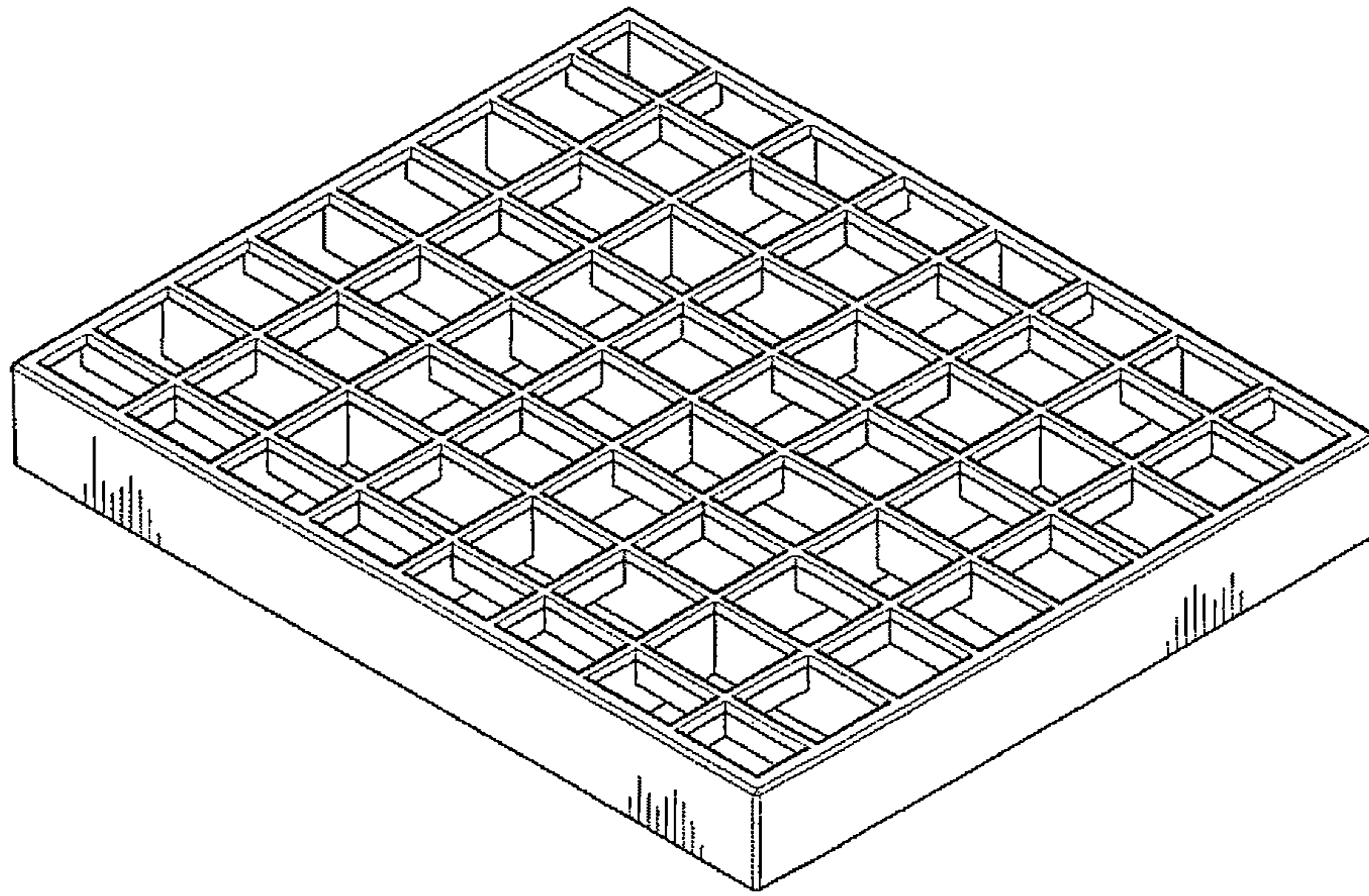


FIG. 1

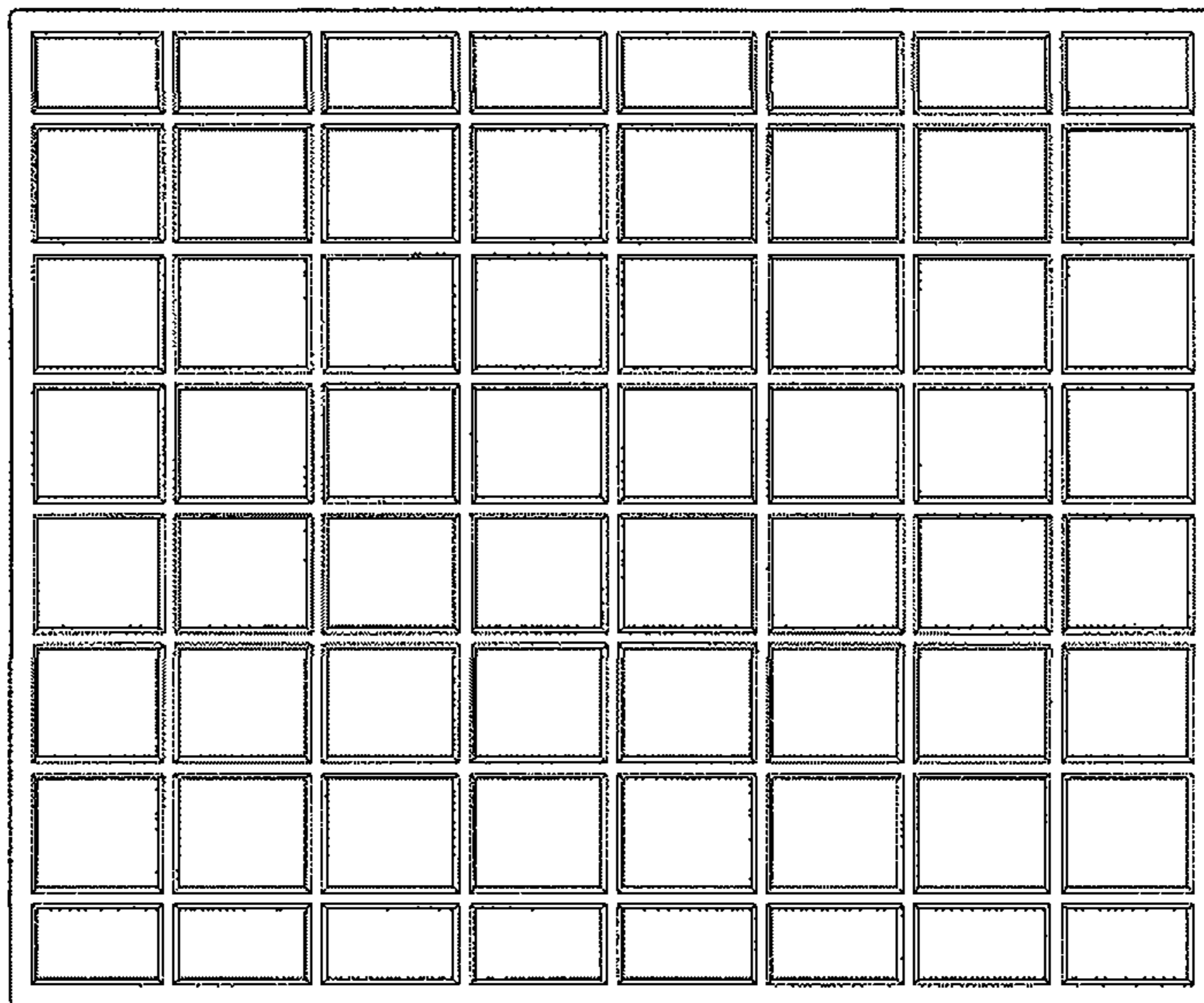


FIG. 2

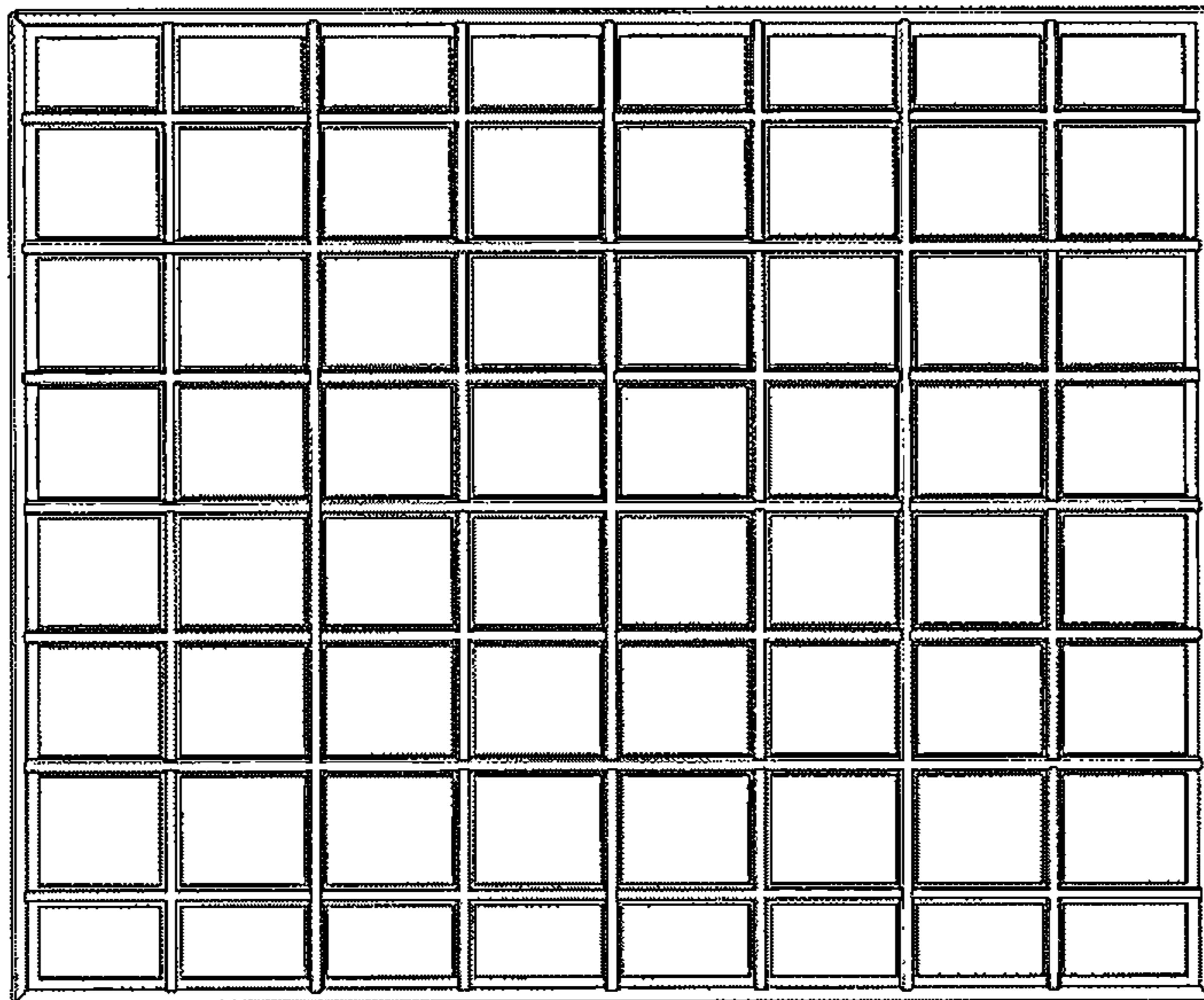


FIG. 3

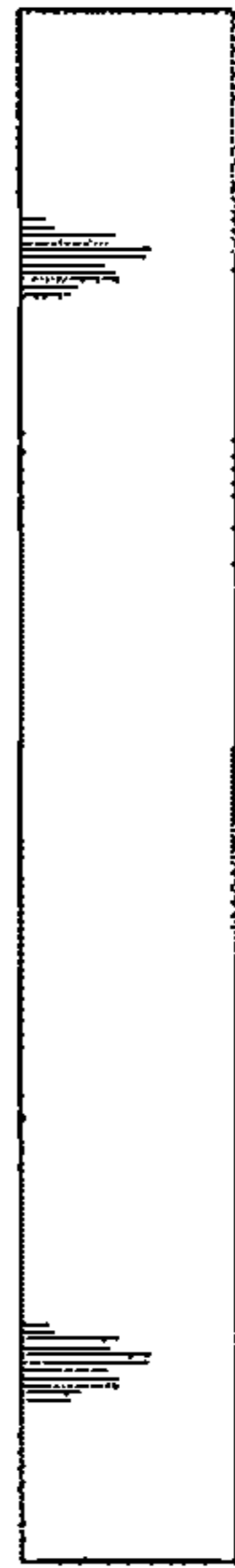


FIG. 4

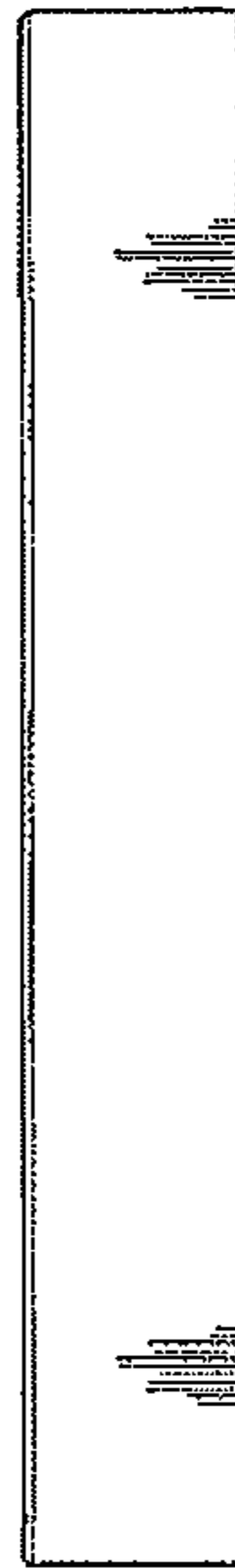


FIG. 5



FIG. 6



FIG. 7

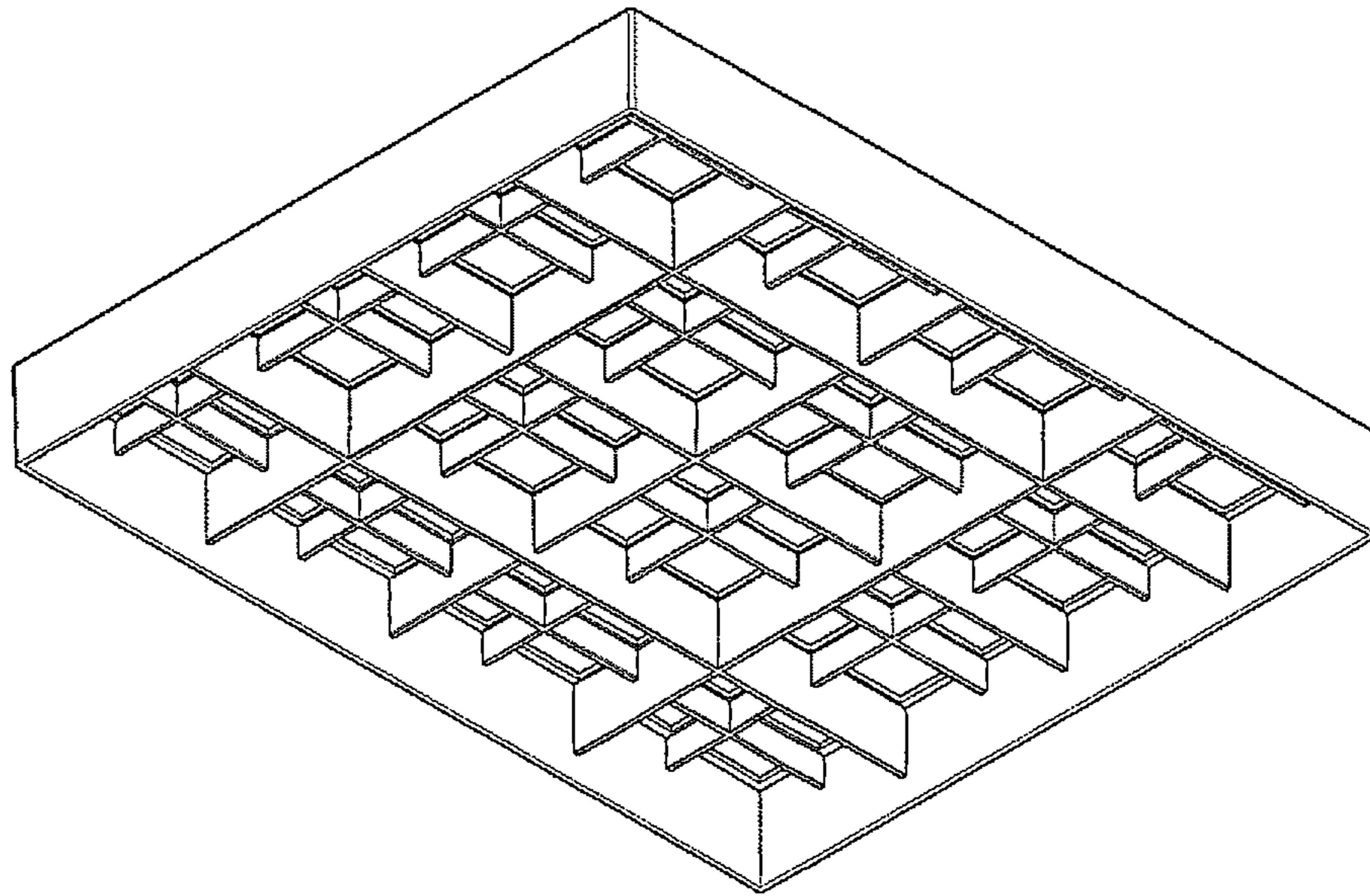


FIG. 8