



US00D704811S

(12) **United States Design Patent**
Yu

(10) **Patent No.:** **US D704,811 S**

(45) **Date of Patent:** **** May 13, 2014**

(54) **PIPE CONNECTOR**

(75) Inventor: **Vincent Yu**, Changhua County (TW)

(73) Assignee: **Bitspower International Co., Ltd.**,
Changhua County (TW)

(**) Term: **14 Years**

(21) Appl. No.: **29/411,166**

(22) Filed: **Jan. 18, 2012**

(51) **LOC (10) Cl.** **23-01**

(52) **U.S. Cl.**
USPC **D23/262**

(58) **Field of Classification Search**

CPC F16L 2201/20; F16L 2201/60; F16L
2201/10; F16L 37/133; F16L 37/0985; F16L
27/0845; F16L 43/008; B29C 66/5229
USPC D23/245, 249, 254, 259-262; D8/382;
D13/155; D24/129; 285/86-93,
285/179-182

See application file for complete search history.

(56) **References Cited**

U.S. PATENT DOCUMENTS

123,992	A *	2/1872	Hartley	285/181
550,047	A *	11/1895	Kerr	285/226
941,836	A *	11/1909	Witt	285/179.2
952,938	A *	3/1910	Pannenberg	138/92
1,243,438	A *	10/1917	Morris	285/328
1,272,794	A *	7/1918	Girtanner	406/194
D52,954	S *	2/1919	Hubbard et al.	D13/155
1,309,315	A *	7/1919	Blank	193/17
1,346,425	A *	7/1920	Roth	285/75
1,352,118	A *	9/1920	Dow	285/417
1,467,833	A *	9/1923	Bovee	285/184
1,706,525	A *	3/1929	Gullion	285/390
1,808,066	A *	6/1931	Plummer	37/336
2,344,424	A *	3/1944	Singleton	285/93
2,379,632	A *	7/1945	Foisy	285/276
2,511,343	A *	6/1950	Kaiser	285/55

2,614,867	A *	10/1952	Artis, Jr.	285/44
2,725,079	A *	11/1955	Streed et al.	285/55
2,738,836	A *	3/1956	Monastesse	431/265
2,756,076	A *	7/1956	Rodriguez, Jr.	285/4
3,067,579	A *	12/1962	Olbrich	60/232
3,199,898	A *	8/1965	Faccou	285/41
3,200,023	A *	8/1965	Cilker	156/172
3,222,777	A *	12/1965	Rutter et al.	29/525.03
3,700,267	A *	10/1972	Piegza	285/24
3,726,545	A *	4/1973	Grim et al.	285/3
3,860,043	A *	1/1975	Kutnyak et al.	138/153
4,036,513	A *	7/1977	Loftus et al.	285/179
4,201,048	A *	5/1980	Fisher et al.	60/322
D261,419	S *	10/1981	Moreland	D23/261

(Continued)

Primary Examiner — Eric Goodman

Assistant Examiner — John Reickel

(57) **CLAIM**

The ornamental design for a pipe connector, as shown and described.

DESCRIPTION

FIG. 1 is a perspective view of a pipe connector showing my new design;

FIG. 2 is a front elevational view thereof;

FIG. 3 is a rear elevational view thereof;

FIG. 4 is a left side view thereof;

FIG. 5 is a right side view thereof;

FIG. 6 is a top plan view thereof;

FIG. 7 is a bottom plan view thereof;

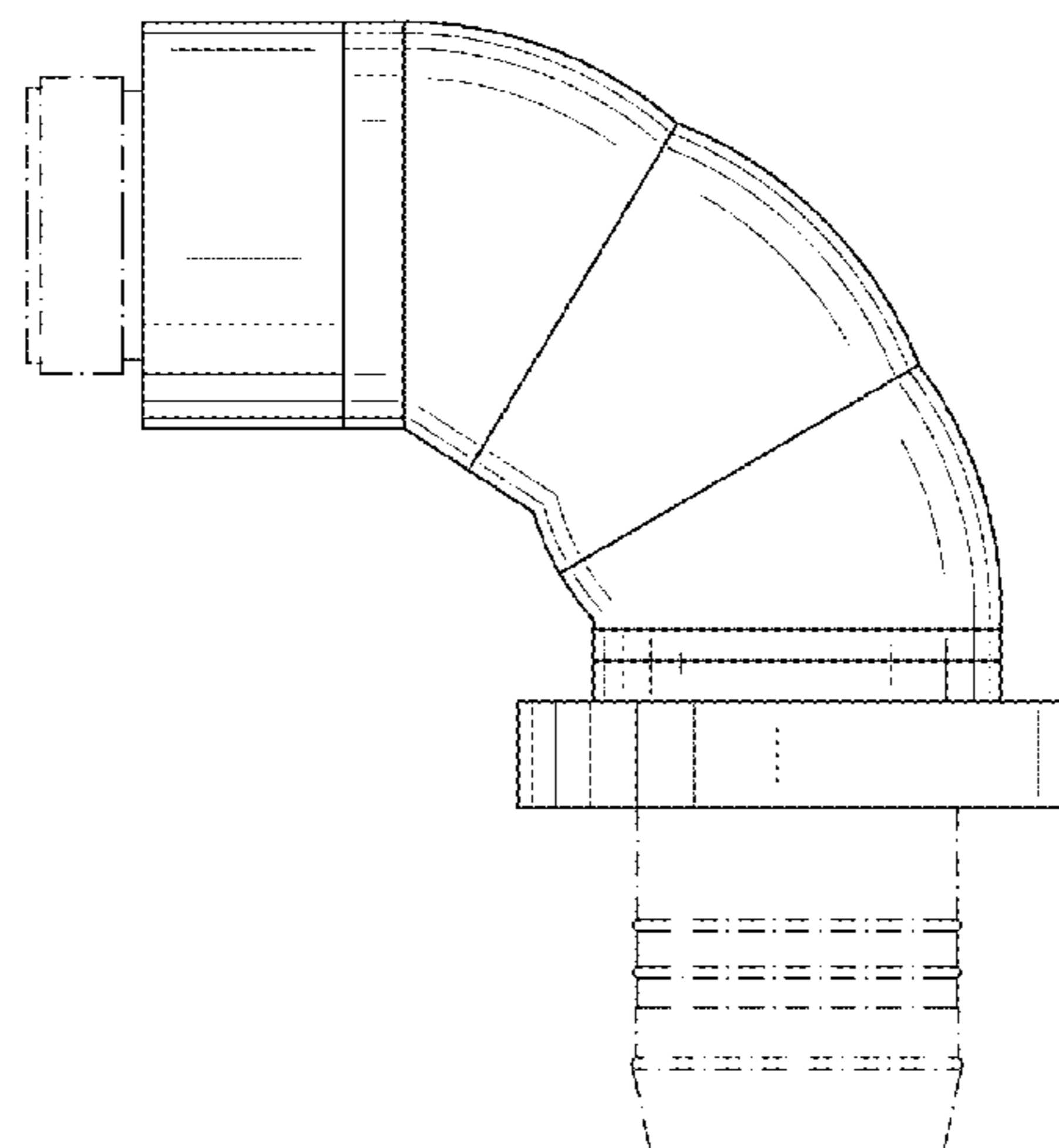
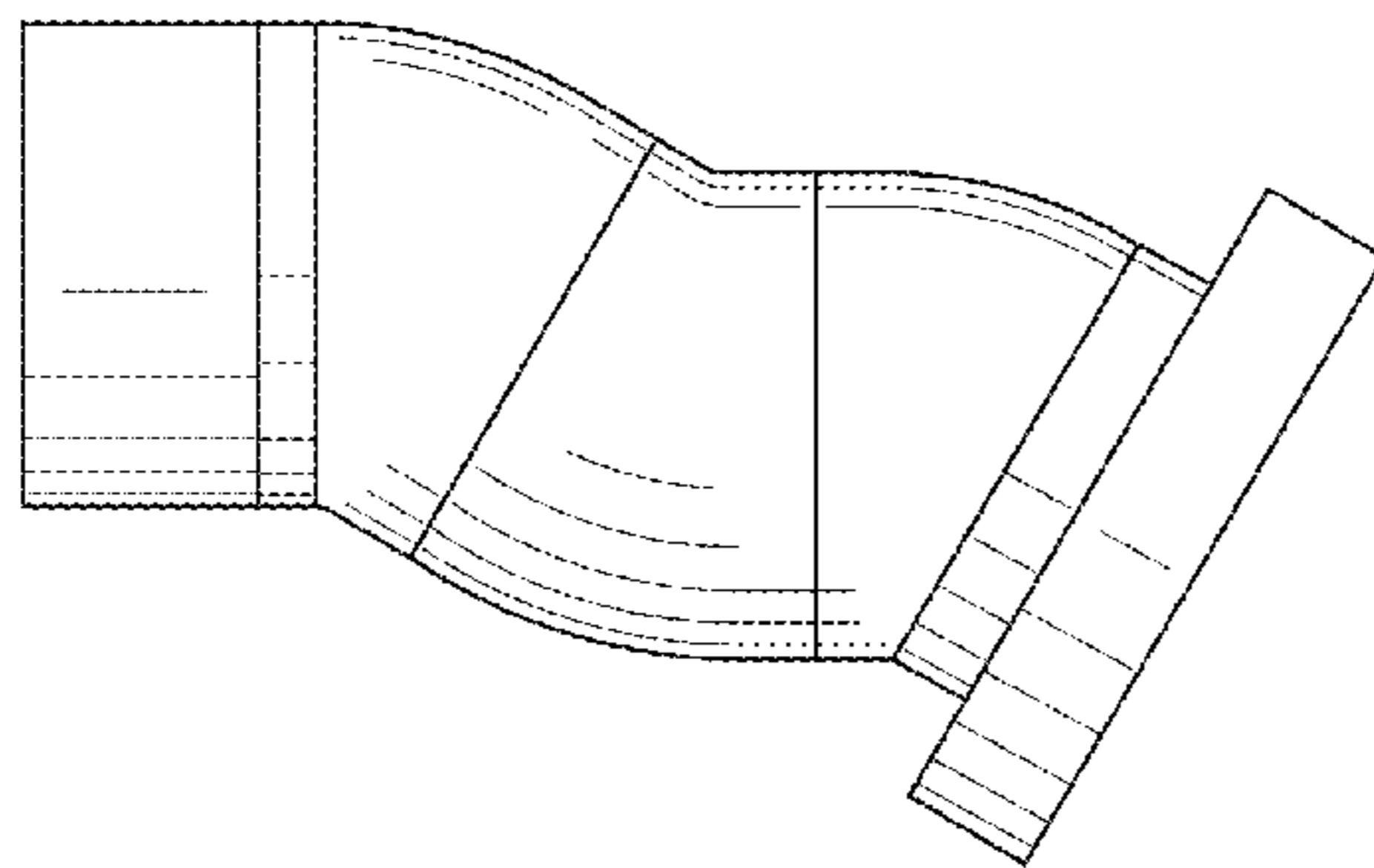
FIG. 8 is a front view for showing a pipe connected to the pipe connector;

FIG. 9 is a front view for showing the pipe connector to be further retracted; and,

FIG. 10 is a front view for showing another pipe connected to the pipe connector.

The broken line showing of pipe is included for the purpose of illustrating environmental structure and forms no part of the claimed design.

1 Claim, 6 Drawing Sheets



(56)

References Cited

U.S. PATENT DOCUMENTS

4,687,235 A * 8/1987 Stoll 285/281
 D296,816 S * 7/1988 Budzinski et al. D23/263
 4,986,732 A * 1/1991 Stock et al. 415/66
 5,156,420 A * 10/1992 Bokor et al. 285/21.2
 5,366,257 A * 11/1994 McPherson et al. 285/148.11
 D392,372 S * 3/1998 Saito et al. D23/264
 5,786,054 A * 7/1998 Platusich et al. 428/36.91
 5,848,812 A * 12/1998 Morgan 285/145.2
 D407,467 S * 3/1999 McWilliams D23/260
 D427,667 S * 7/2000 Stout, Jr. D23/262
 D434,834 S * 12/2000 Goto D23/262
 6,370,794 B1 * 4/2002 Tuggle 34/235
 D468,001 S * 12/2002 Teskey D23/259
 D480,787 S * 10/2003 Wilk et al. D23/263
 D481,447 S * 10/2003 Dole et al. D23/263
 D482,103 S * 11/2003 Snyder et al. D23/263
 D517,666 S * 3/2006 Wilk et al. D23/262
 D523,123 S * 6/2006 Wilk et al. D23/262

D556,899 S * 12/2007 Veliss et al. D24/110.1
 D561,302 S * 2/2008 Brockington et al. D23/262
 D586,433 S * 2/2009 Price et al. D23/259
 D598,985 S * 8/2009 Smith et al. D23/259
 D613,826 S * 4/2010 Hall et al. D23/259
 7,699,355 B2 * 4/2010 Vitel et al. 285/184
 D615,631 S * 5/2010 Price et al. D23/263
 D627,863 S * 11/2010 Ball D23/262
 7,908,731 B2 * 3/2011 Binggeli 29/509
 D651,304 S * 12/2011 Edwards et al. D24/110.5
 8,201,369 B2 * 6/2012 Coughlin 52/220.3
 D665,062 S * 8/2012 Ball D23/263
 8,321,970 B2 * 12/2012 Ball 4/680
 D676,941 S * 2/2013 Kluss et al. D23/262
 D691,717 S * 10/2013 McLean et al. D24/129
 2003/0116963 A1 * 6/2003 Teuscher et al. 285/179
 2004/0050487 A1 * 3/2004 Frantz et al. 156/304.2
 2007/0007763 A1 * 1/2007 Deaton 285/179
 2007/0151021 A1 * 7/2007 Shieh 4/675
 2009/0008934 A1 * 1/2009 Matzner et al. 285/276

* cited by examiner

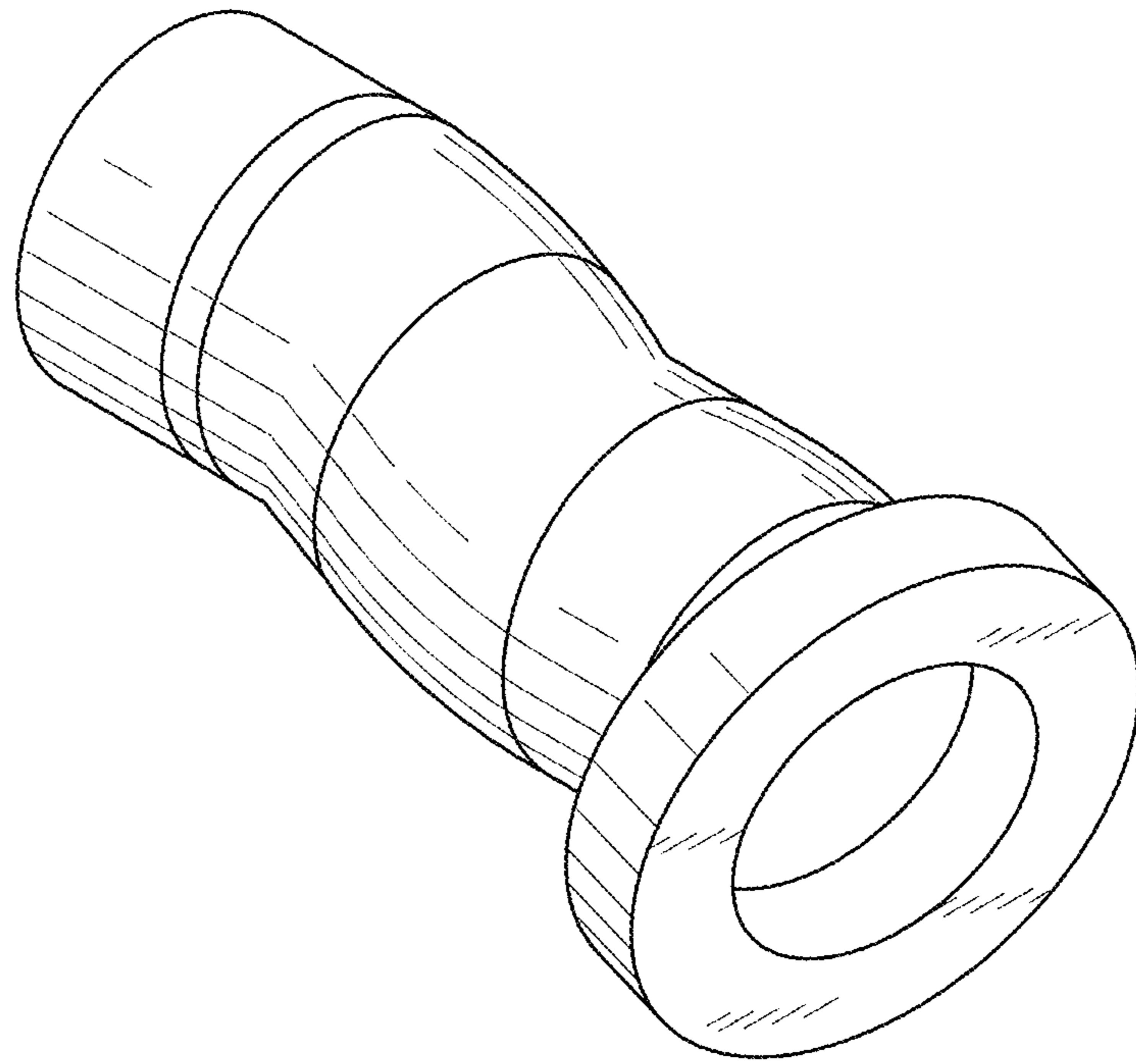


FIG. 1

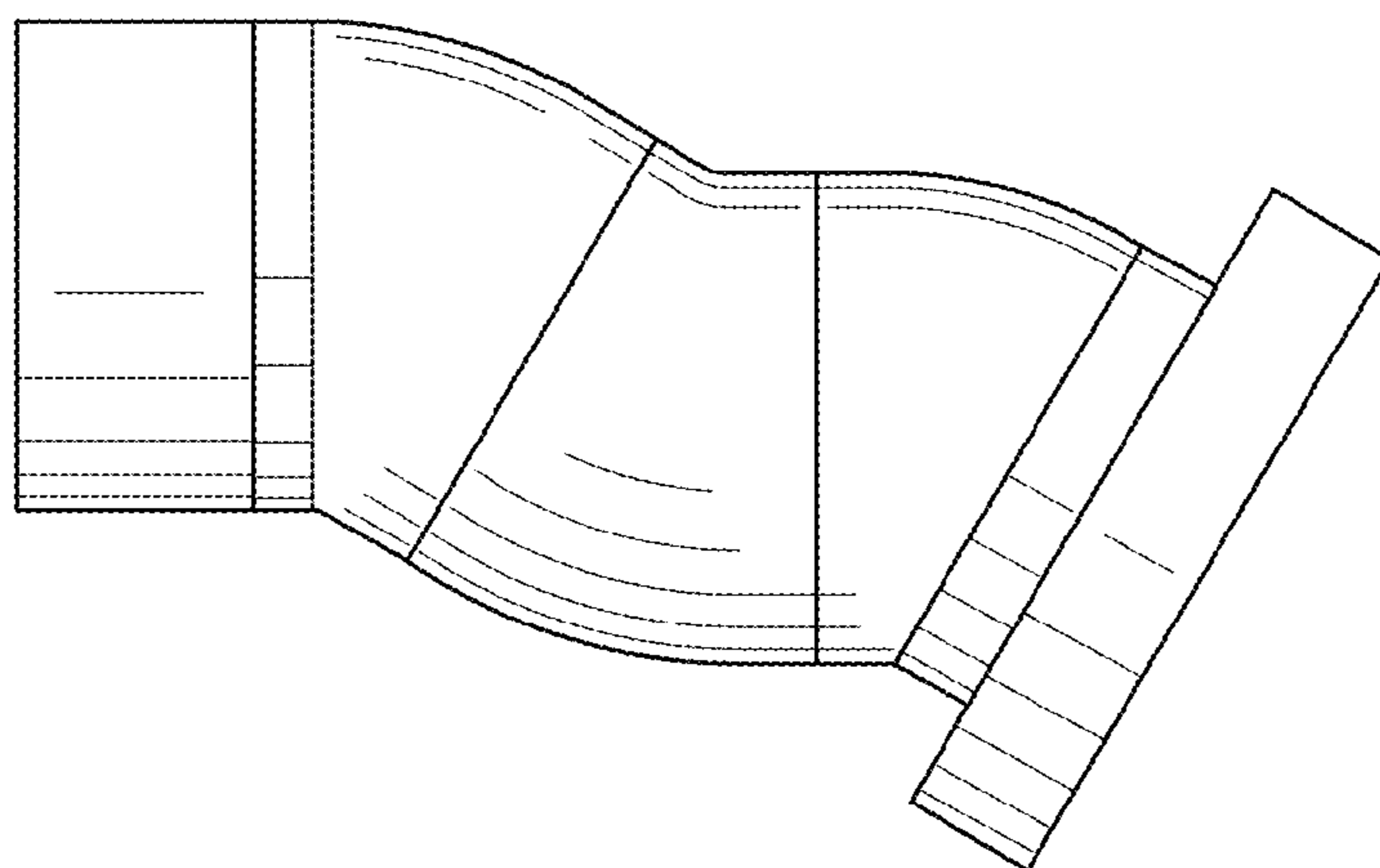


FIG. 2

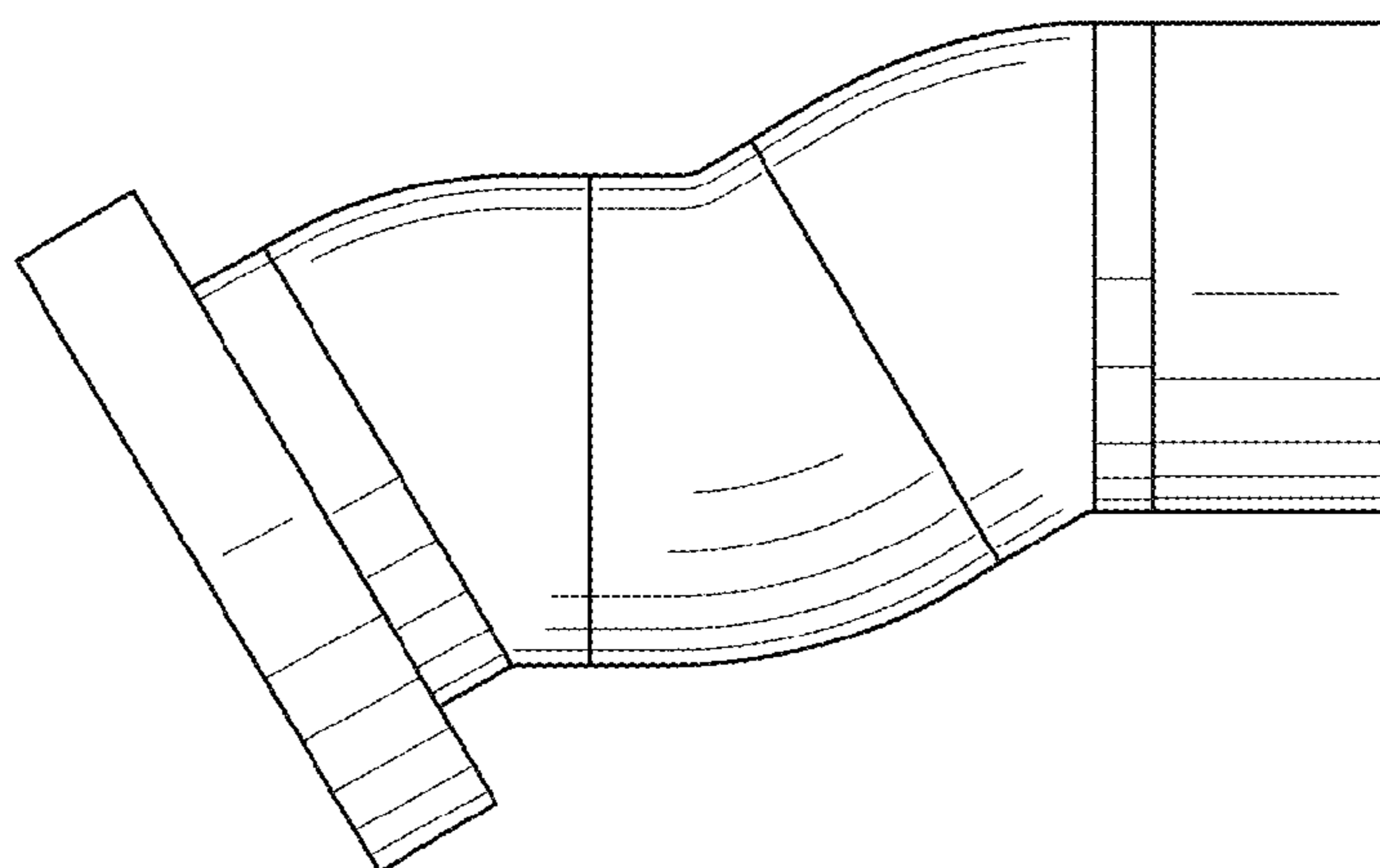


FIG. 3

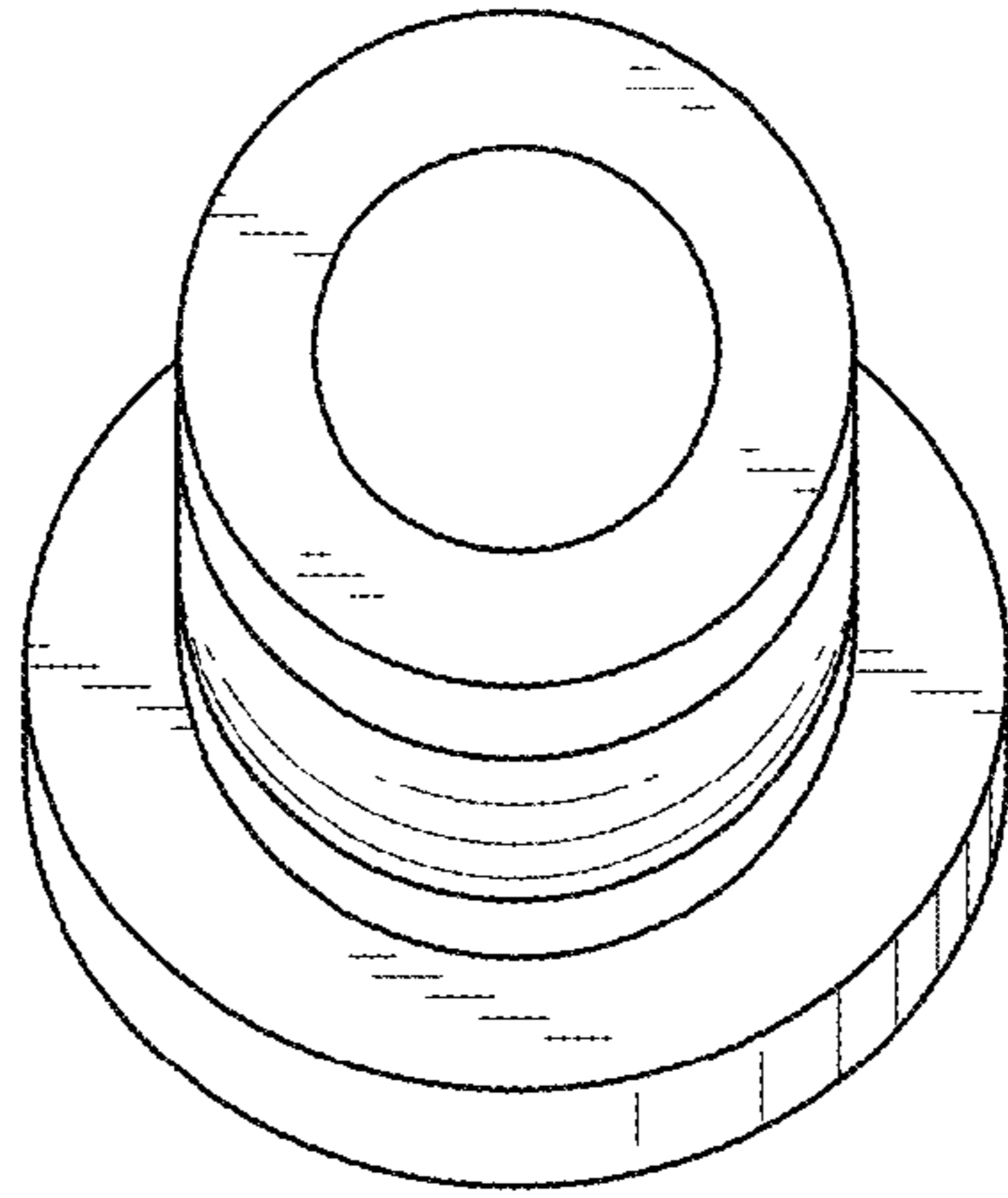


FIG. 4

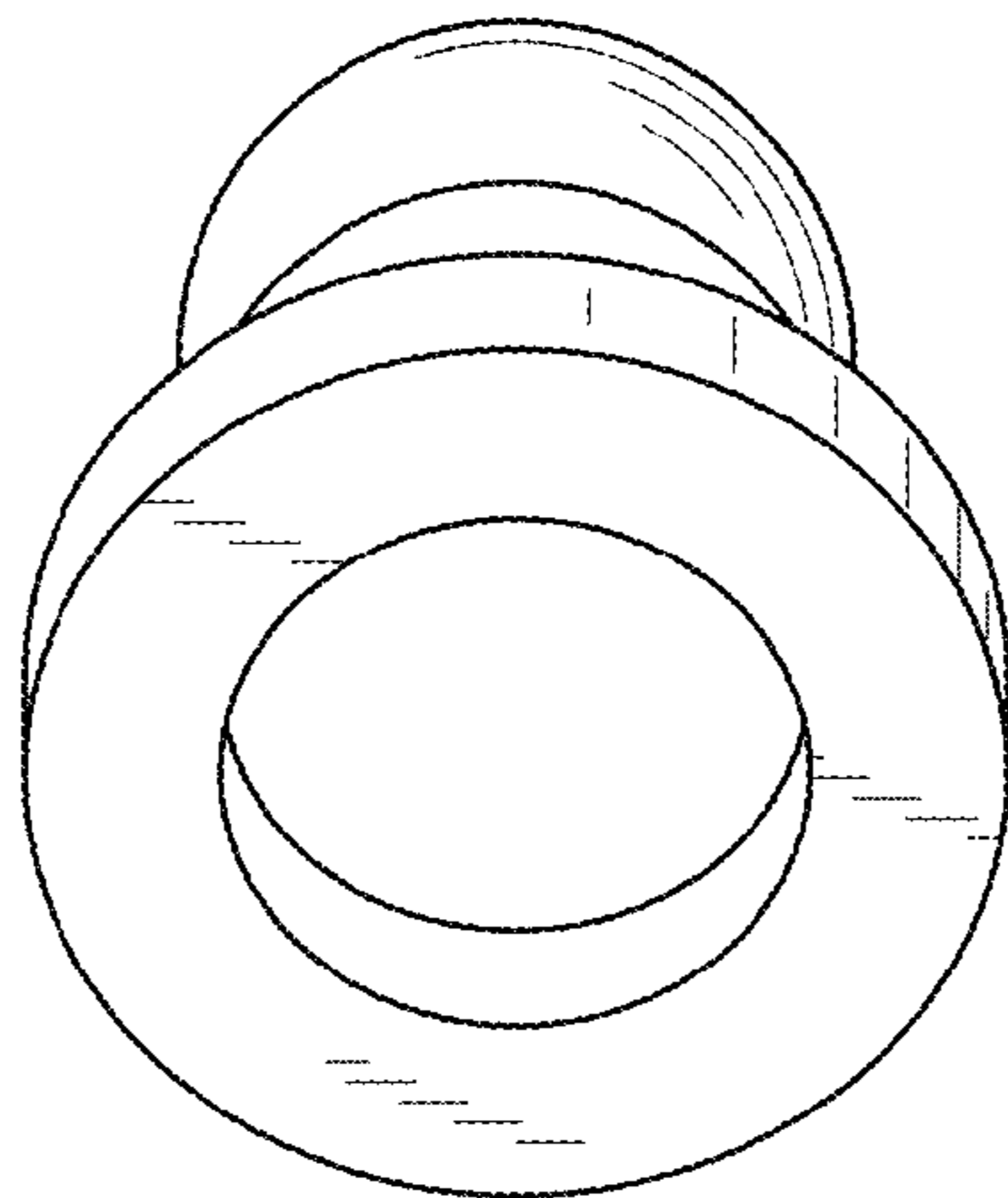


FIG. 5

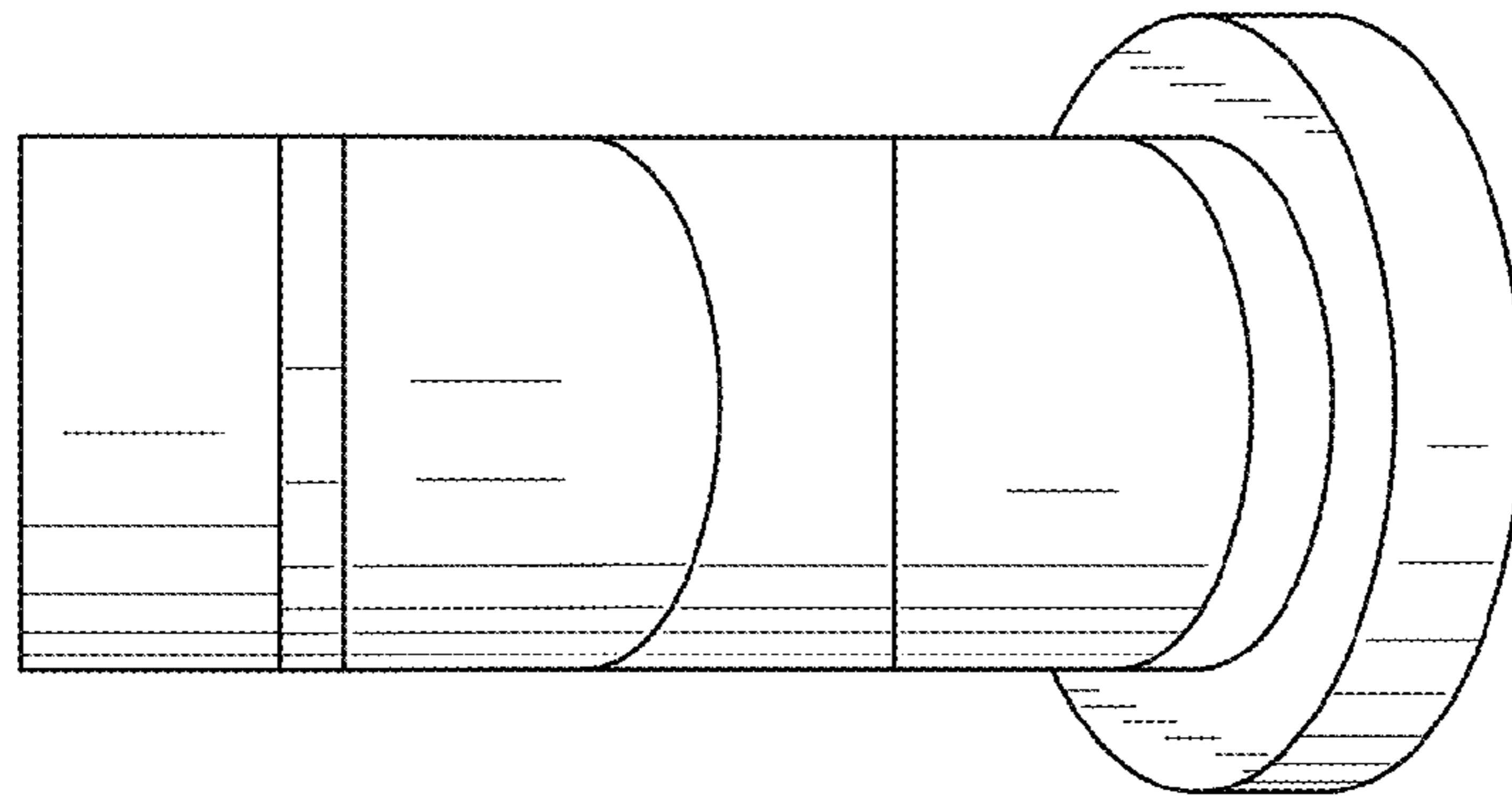


FIG. 6

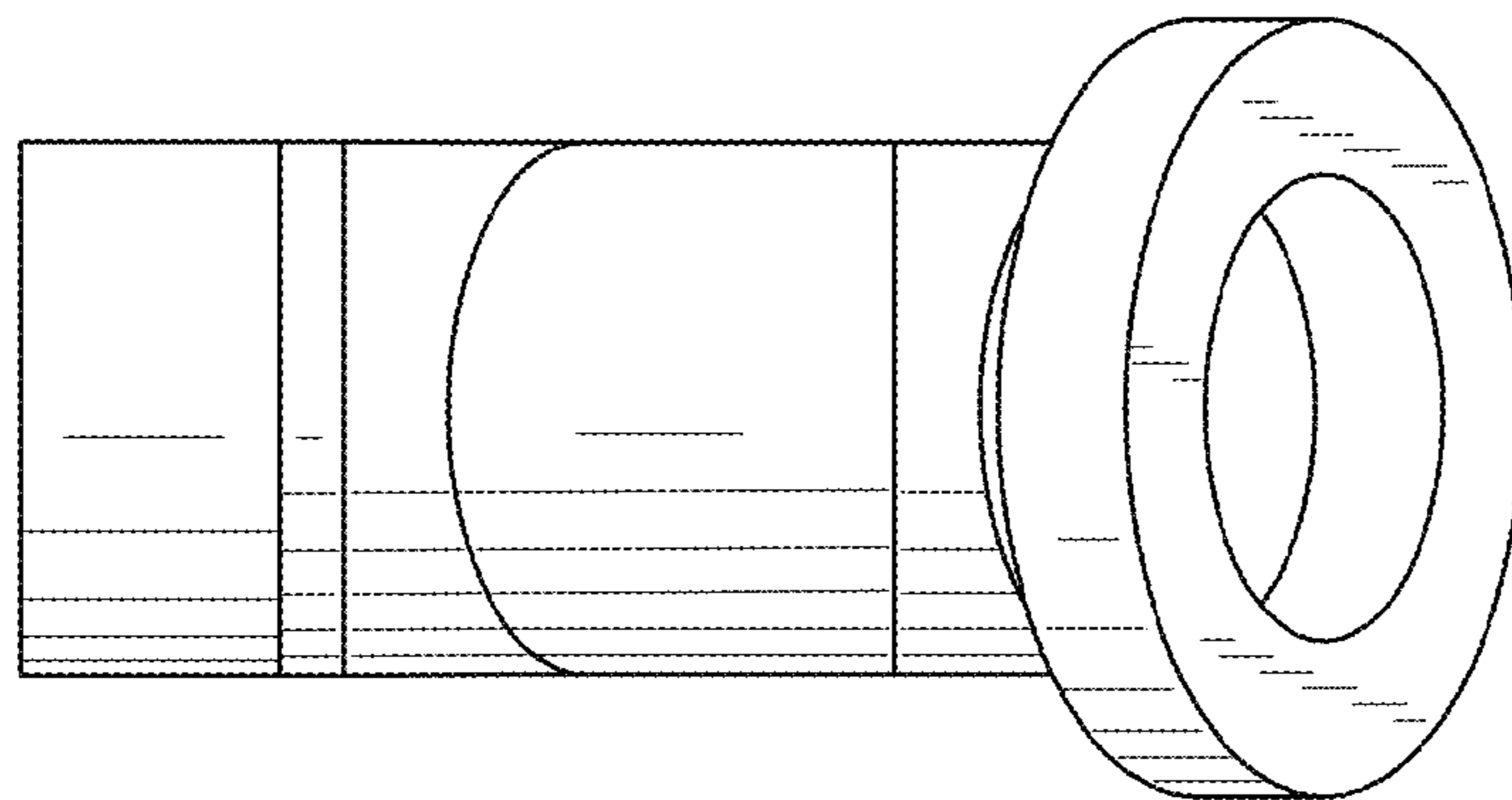


FIG. 7

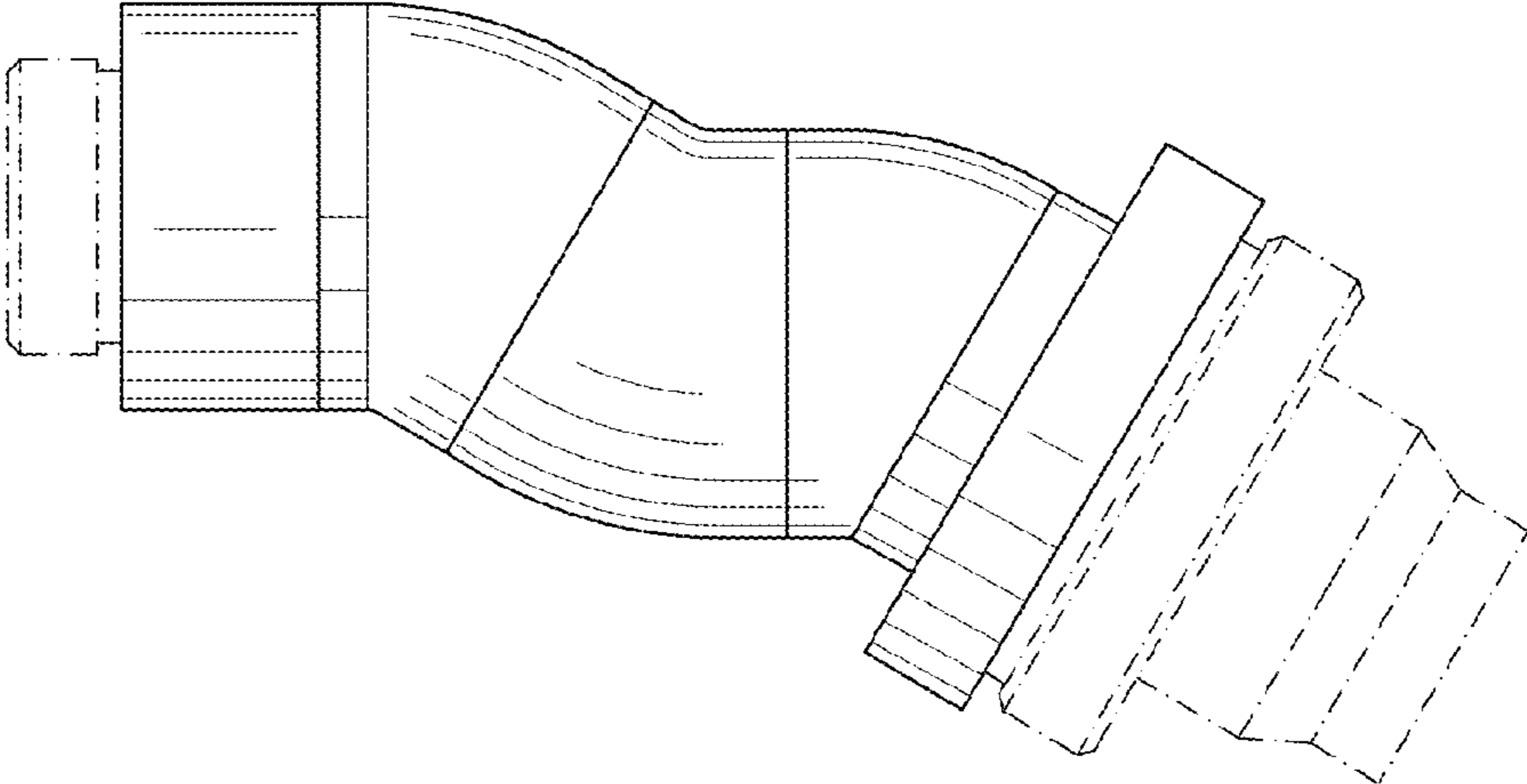


FIG. 8

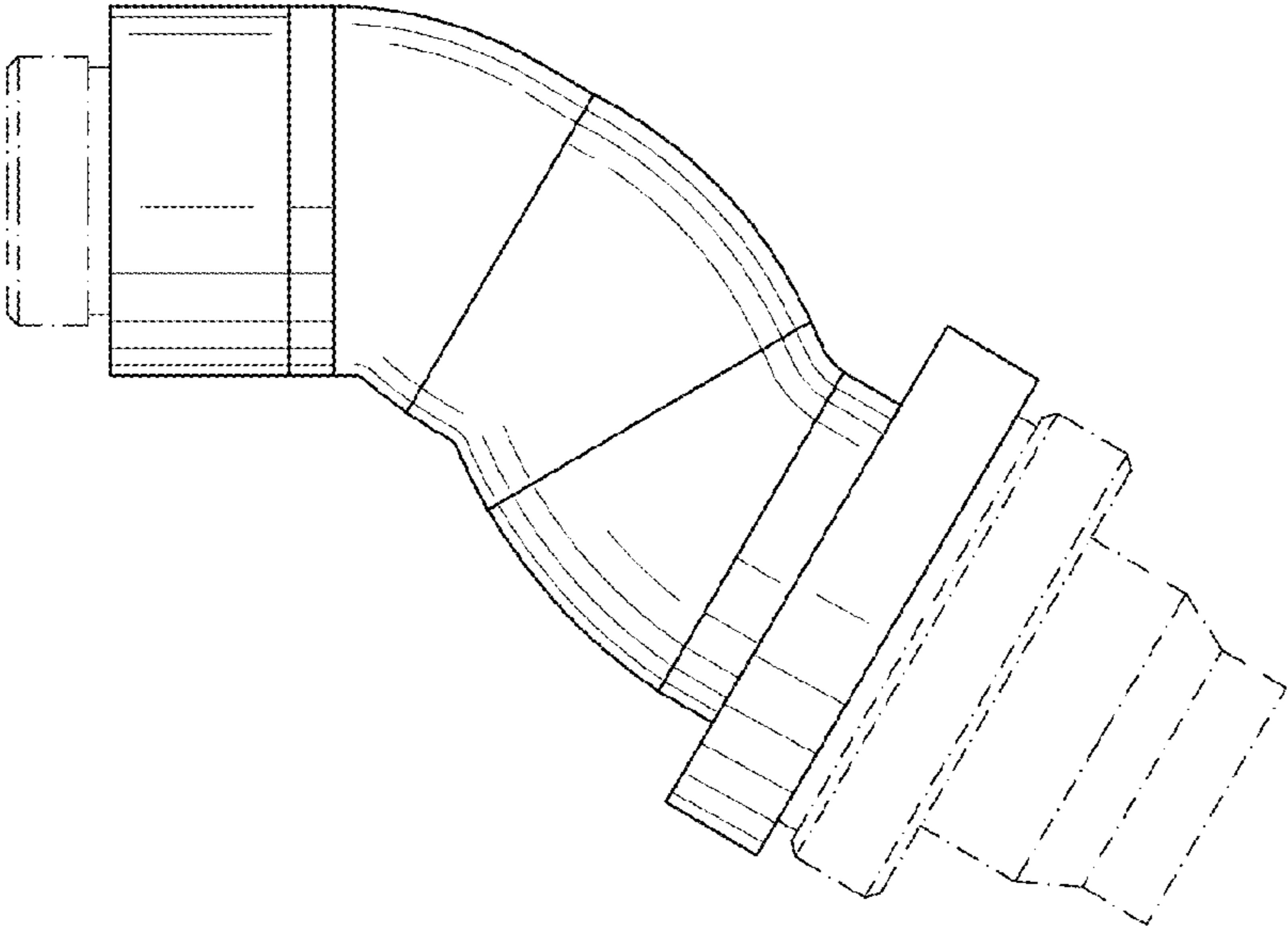


FIG. 9

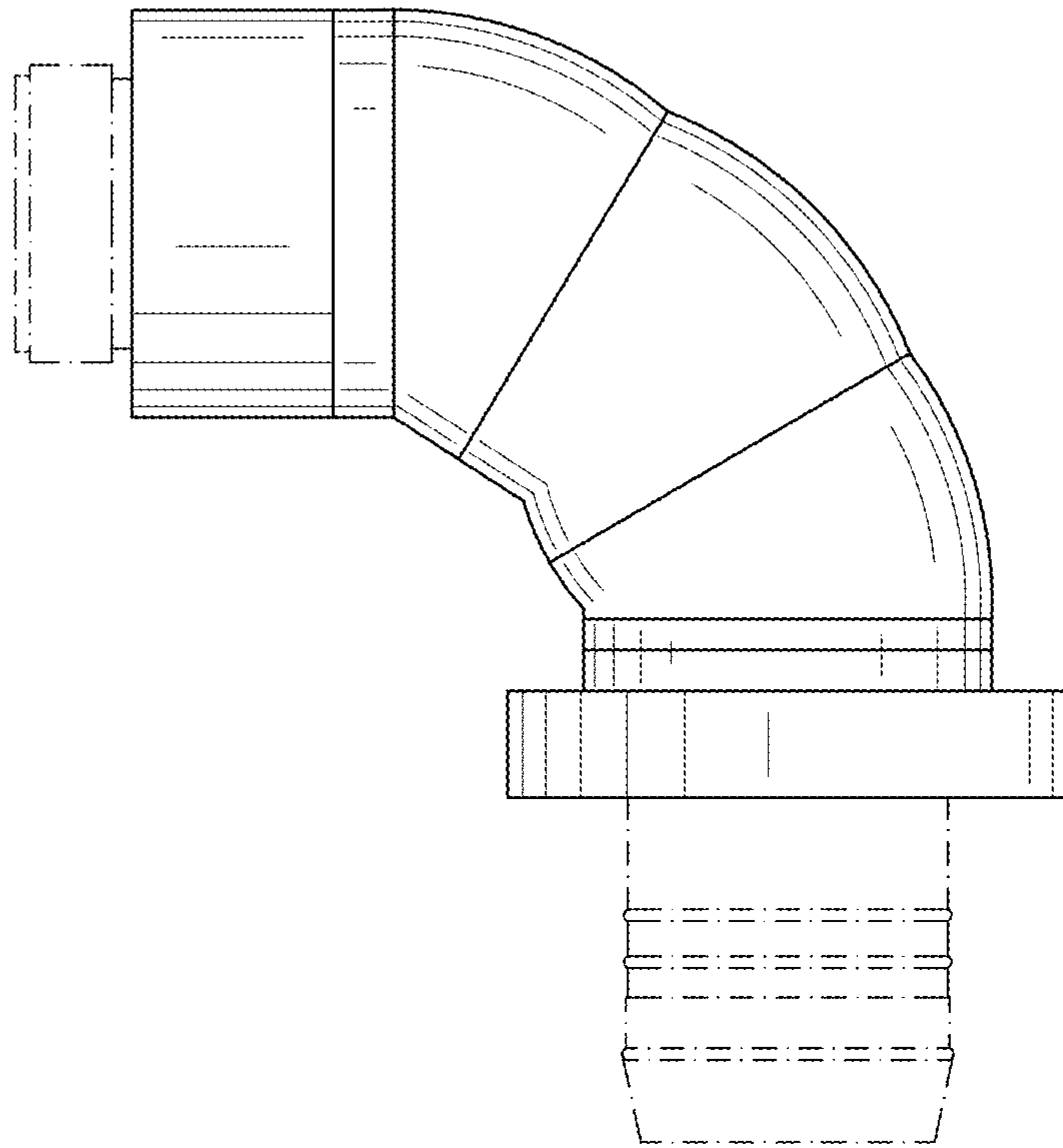


FIG. 10