



US00D704810S

(12) **United States Design Patent**
Hashimoto et al.

(10) **Patent No.:** **US D704,810 S**
(45) **Date of Patent:** **** May 13, 2014**

(54) **FAUCET WITH SENSOR**

(71) Applicant: **LIXIL Corporation**, Tokyo (JP)

(72) Inventors: **Miyuki Hashimoto**, Tokyo (JP); **Naoki Domoto**, Toyko (JP)

(73) Assignee: **LIXIL Corporation**, Tokyo (JP)

(**) Term: **14 Years**

(21) Appl. No.: **29/476,414**

(22) Filed: **Dec. 13, 2013**

(30) **Foreign Application Priority Data**

Jun. 21, 2013 (JP) 2013-014074

(51) **LOC (10) Cl.** **23-01**

(52) **U.S. Cl.**
USPC **D23/255**

(58) **Field of Classification Search**
USPC D23/238-243, 255, 257; 4/675-678;
137/801; D6/542

See application file for complete search history.

(56) **References Cited**

U.S. PATENT DOCUMENTS

D607,976 S * 1/2010 Lammel et al. D23/255
D642,240 S * 7/2011 Flowers et al. D23/255

* cited by examiner

Primary Examiner — Robert Delehanty

(74) *Attorney, Agent, or Firm* — Nath, Goldberg & Meyer;
Jerald L. Meyer

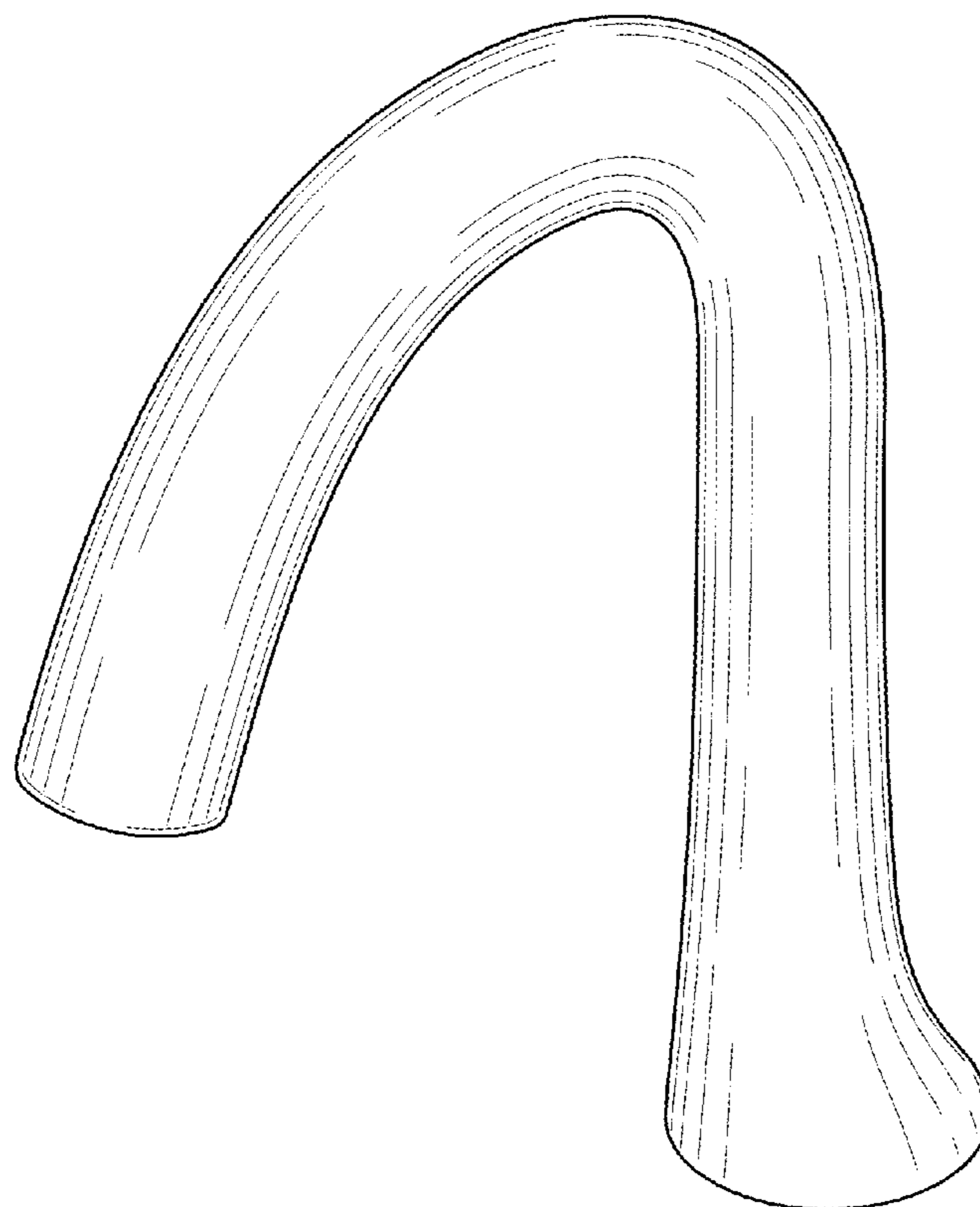
(57) **CLAIM**

The ornamental design for a faucet with sensor, as shown and described.

DESCRIPTION

FIG. 1 is a front perspective view of a faucet with sensor showing our new design;
FIG. 2 is a front view thereof;
FIG. 3 is a rear view thereof;
FIG. 4 is a side view thereof, the opposite side view being a mirror image;
FIG. 5 is a top view thereof;
FIG. 6 is a bottom view thereof;
FIG. 7 is a cross-sectional view thereof, taken along line A-A of FIG. 4;
FIG. 8 is a cross-sectional view thereof, taken along line B-B of FIG. 4; and,
FIG. 9 is a cross-sectional view thereof, taken along line C-C of FIG. 4.

1 Claim, 5 Drawing Sheets



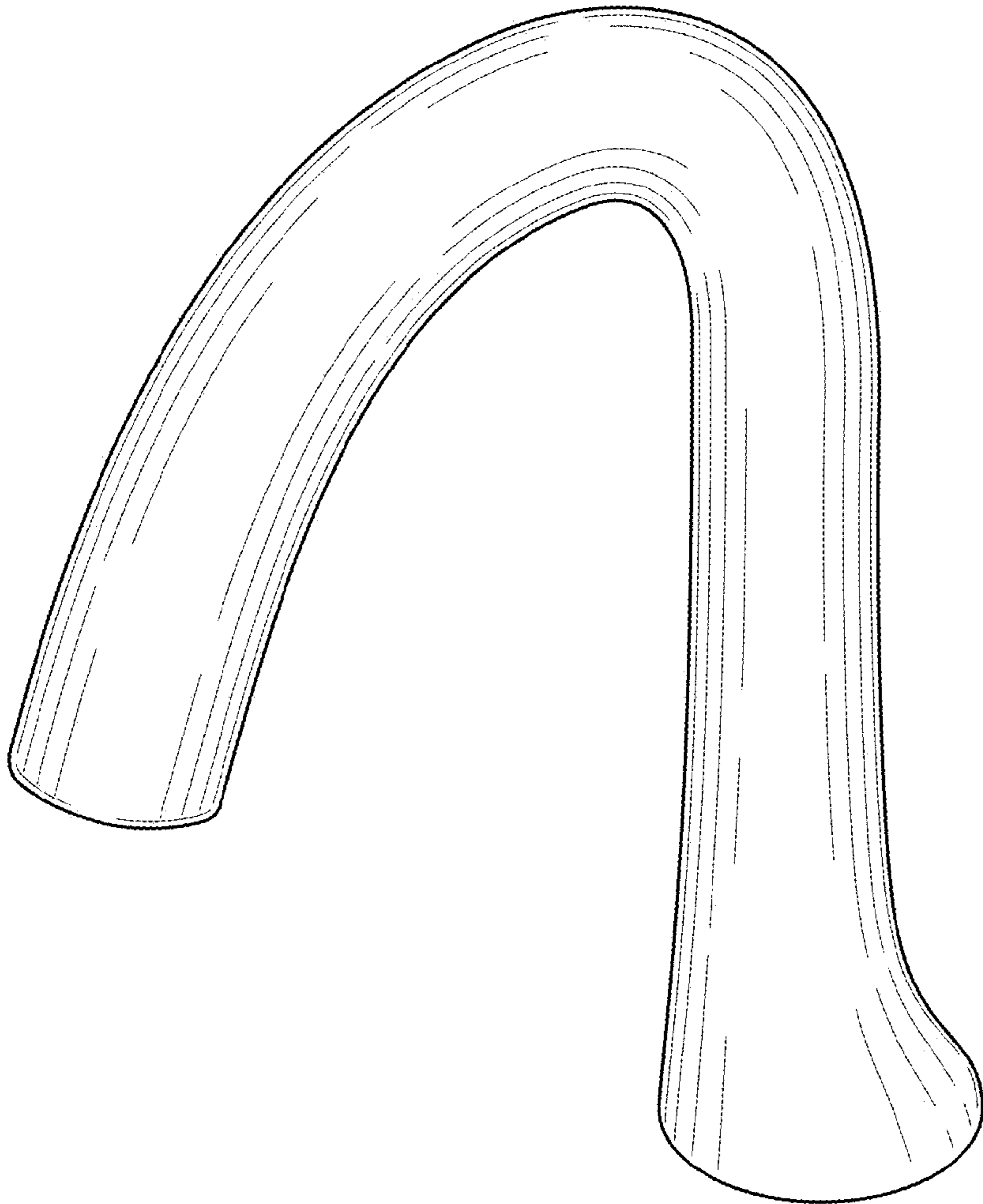


FIG. 1

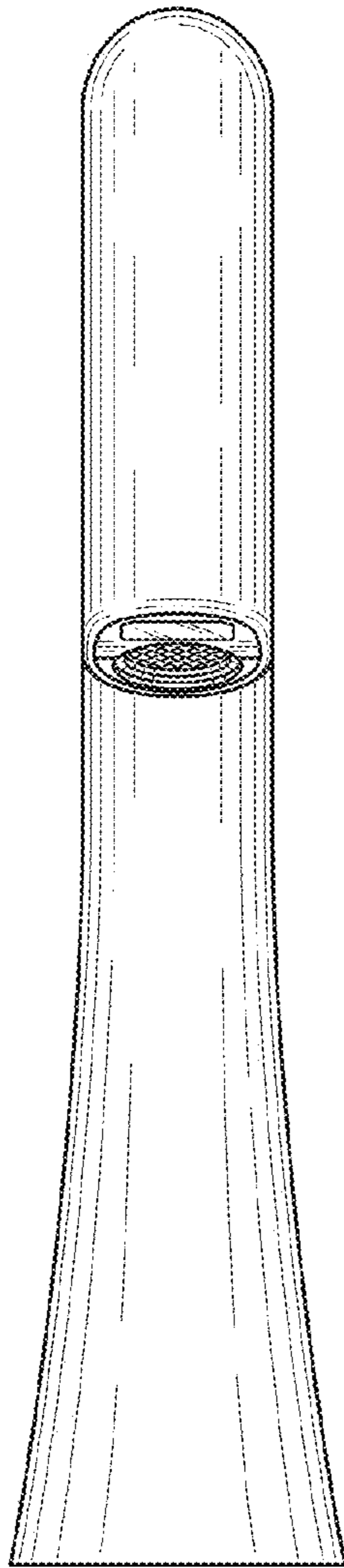


FIG. 2

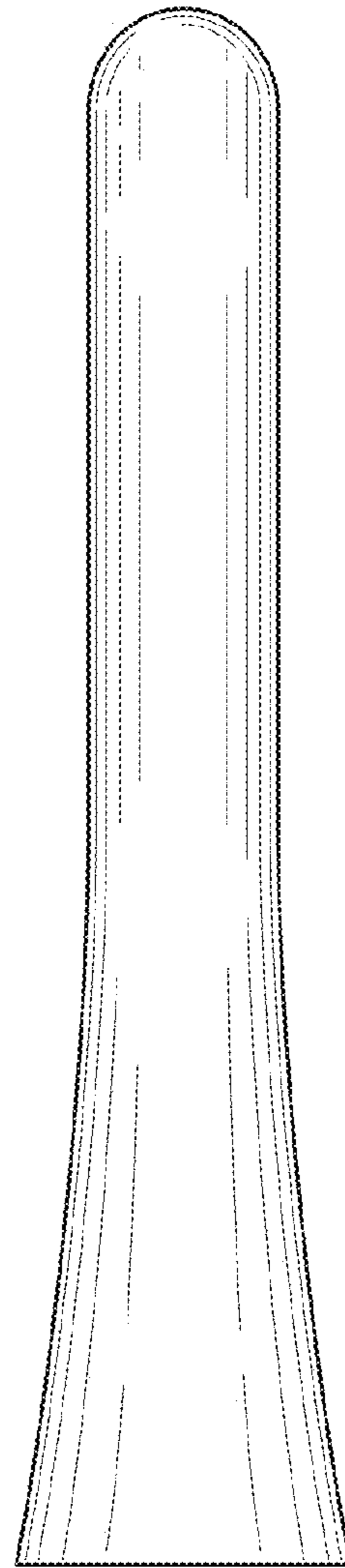


FIG. 3

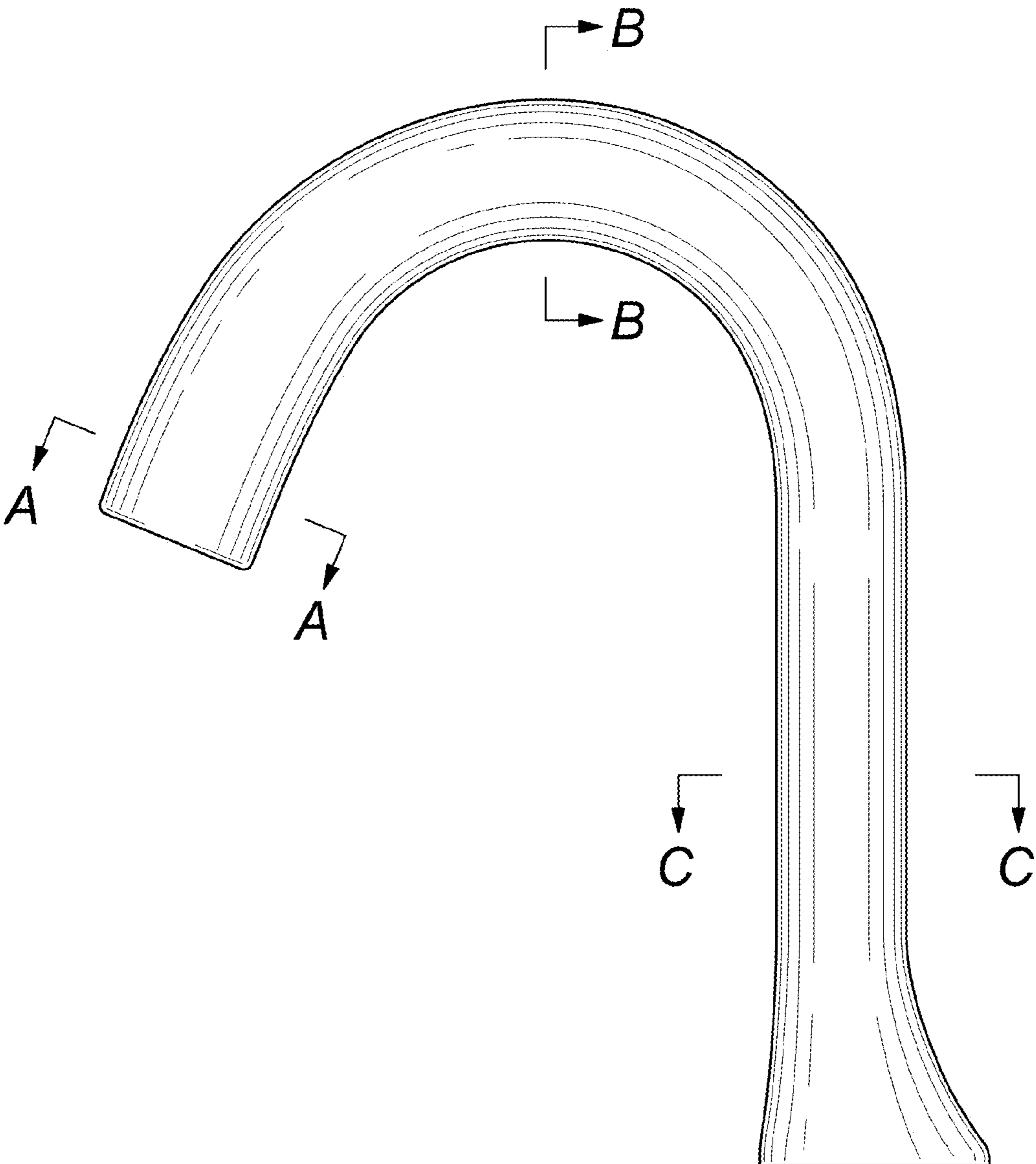


FIG. 4

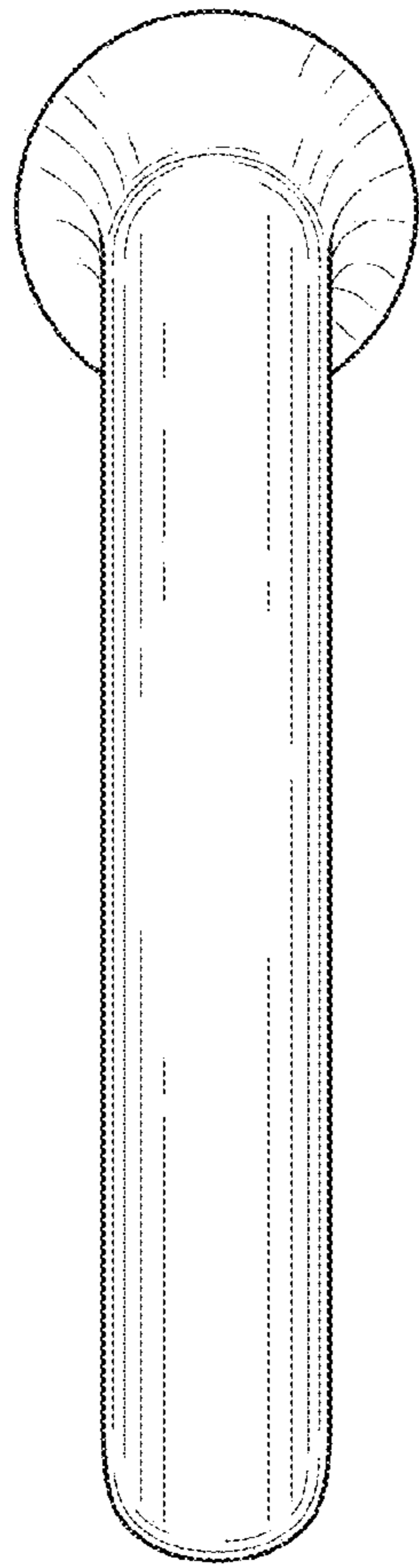


FIG. 5

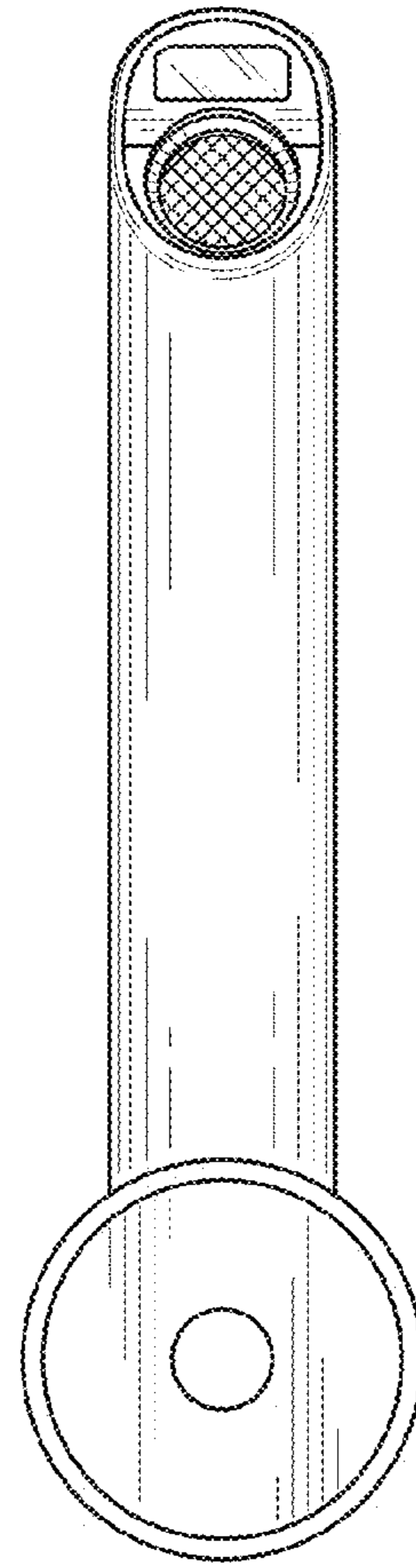


FIG. 6

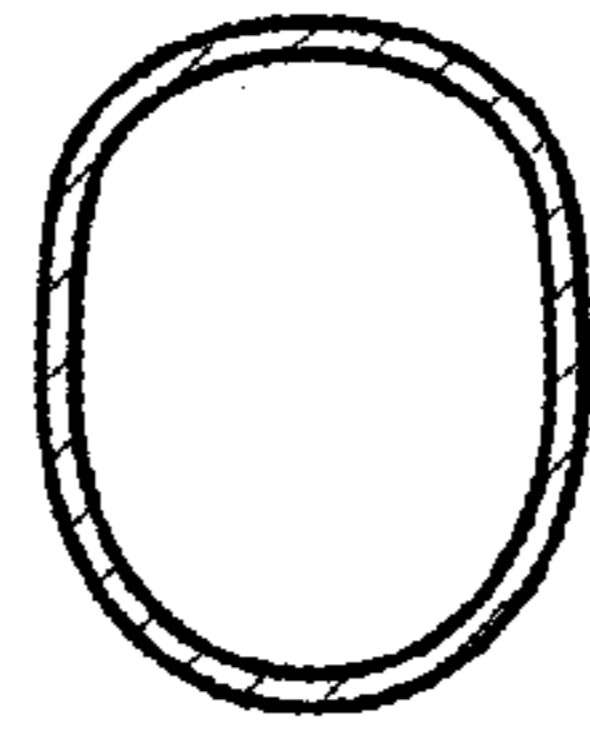


FIG. 7

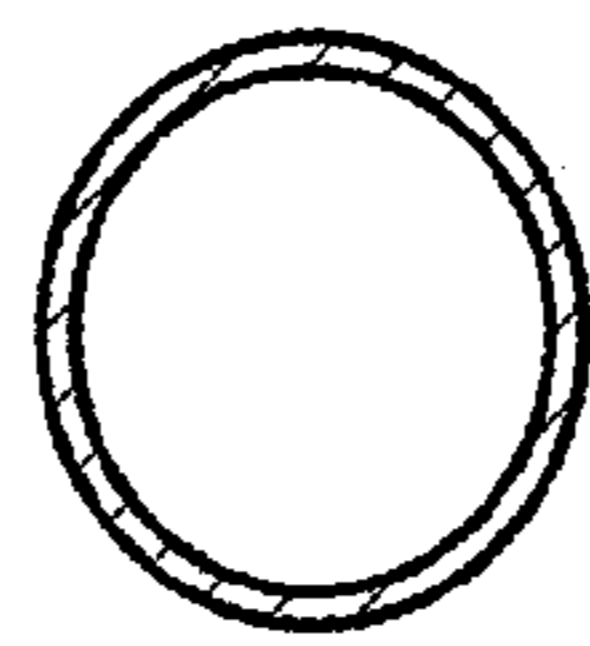


FIG. 8

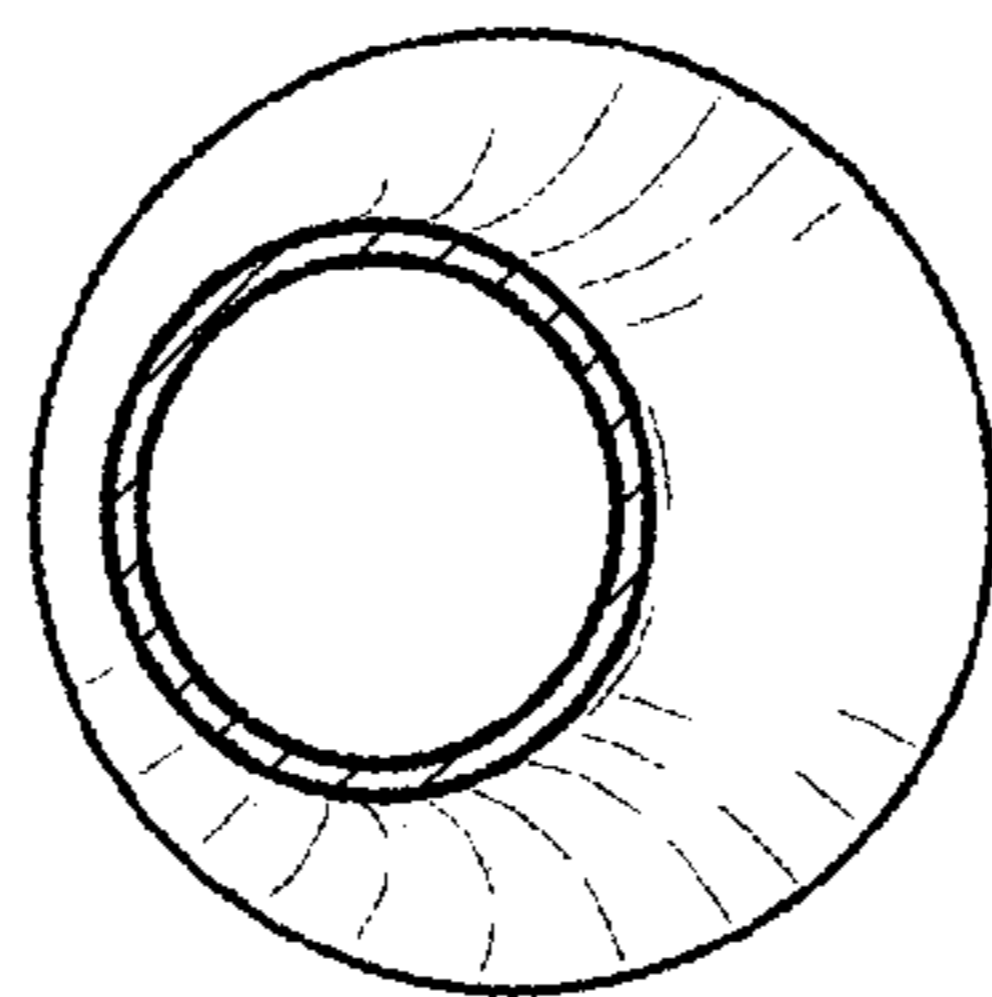


FIG. 9