



US00D704809S

(12) **United States Design Patent**
Ando

(10) **Patent No.:** **US D704,809 S**

(45) **Date of Patent:** **** May 13, 2014**

(54) **FAUCET WITH SENSOR**

(71) Applicant: **LIXIL Corporation**, Tokyo (JP)

(72) Inventor: **Yoshihiko Ando**, Tokyo (JP)

(73) Assignee: **LIXIL Corporation**, Tokyo (JP)

(**) Term: **14 Years**

(21) Appl. No.: **29/475,903**

(22) Filed: **Dec. 9, 2013**

(30) **Foreign Application Priority Data**

Jun. 12, 2013 (JP) 2013-013218

(51) **LOC (10) Cl.** **23-01**

(52) **U.S. Cl.**
USPC **D23/255**

(58) **Field of Classification Search**
USPC D23/238-243, 255, 257; 4/675-678;
137/801

See application file for complete search history.

(56) **References Cited**

U.S. PATENT DOCUMENTS

D441,847 S *	5/2001	Oliver	D23/255
D446,843 S *	8/2001	Martinez	D23/255
D517,663 S *	3/2006	Wolf	D23/255
D536,425 S *	2/2007	VanMarcke	D23/255

* cited by examiner

Primary Examiner — Robert Delehanty

(74) *Attorney, Agent, or Firm* — Nath, Goldberg & Meyer;
Jerald L. Meyer

(57) **CLAIM**

The ornamental design for a faucet with sensor, as shown and described.

DESCRIPTION

FIG. 1 is a front perspective view of a faucet with sensor showing my new design;

FIG. 2 is a front view thereof;

FIG. 3 is a rear view thereof;

FIG. 4 is a side view thereof, the opposite side view being a mirror image;

FIG. 5 is a top view thereof;

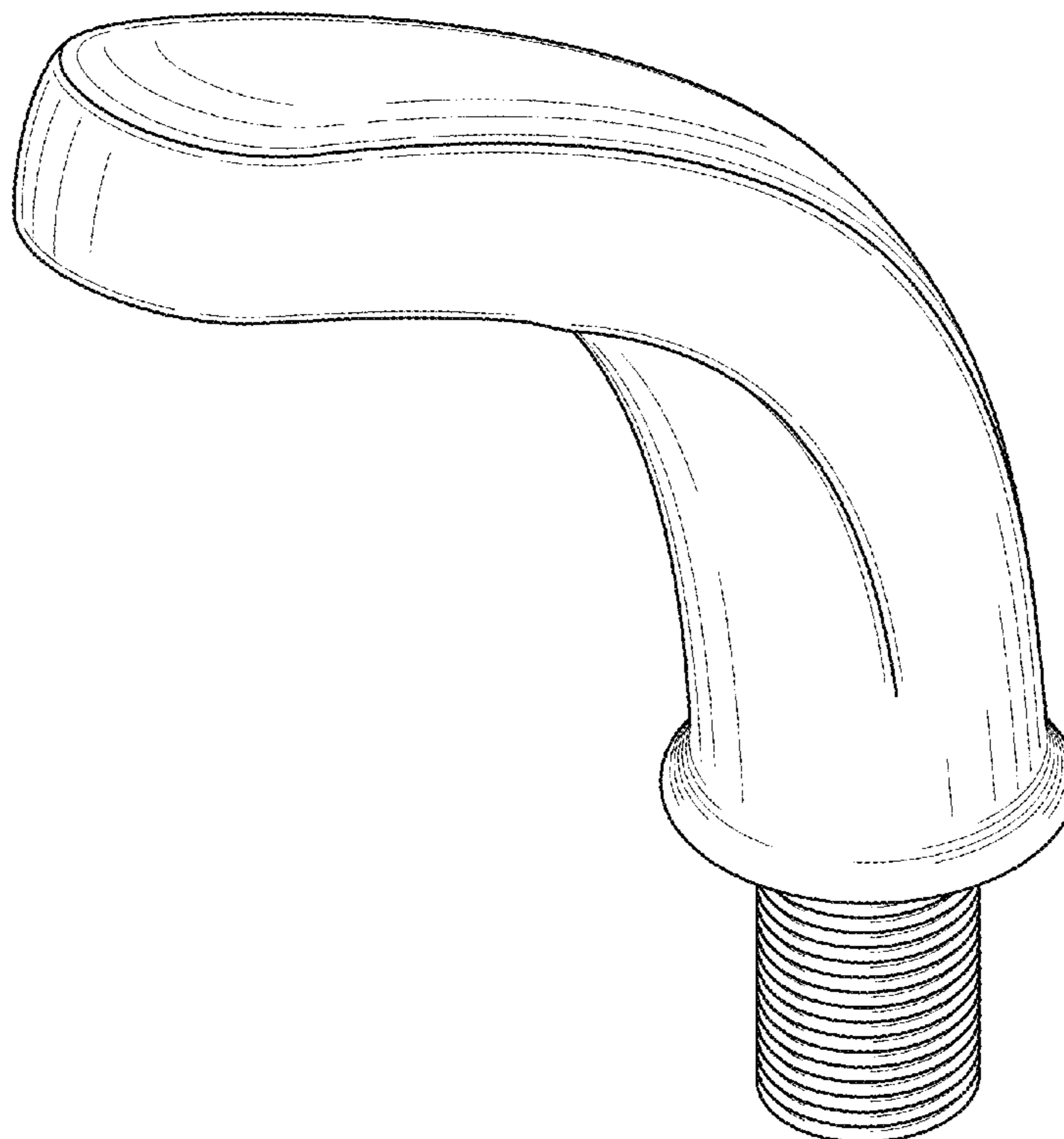
FIG. 6 is a bottom view thereof;

FIG. 7 is a cross-sectional view thereof, taken along line A-A of FIG. 4;

FIG. 8 is a cross-sectional view thereof, taken along line B-B of FIG. 4; and,

FIG. 9 is a cross-sectional view thereof, taken along line C-C of FIG. 4.

1 Claim, 5 Drawing Sheets



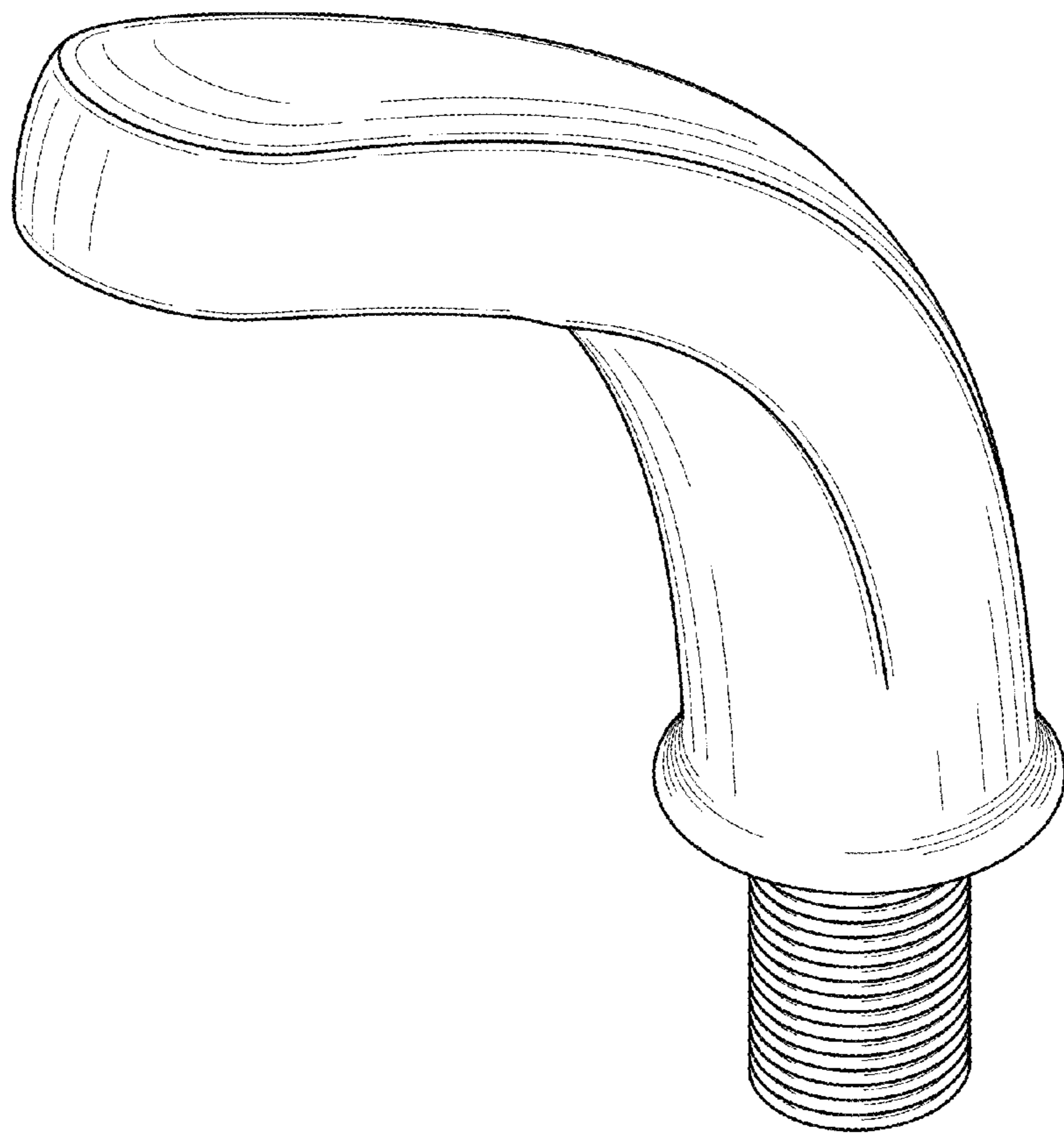


FIG. 1

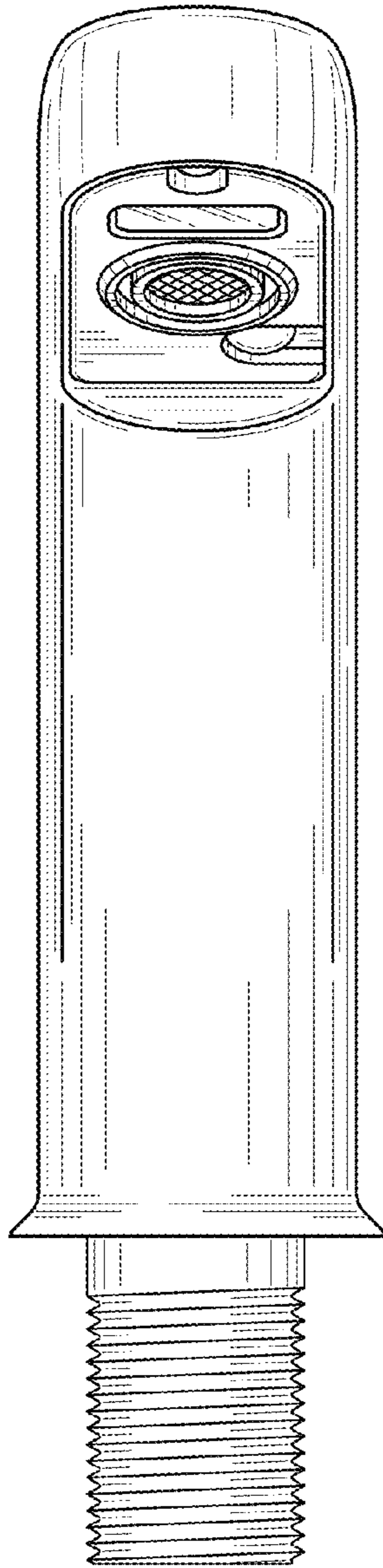


FIG. 2

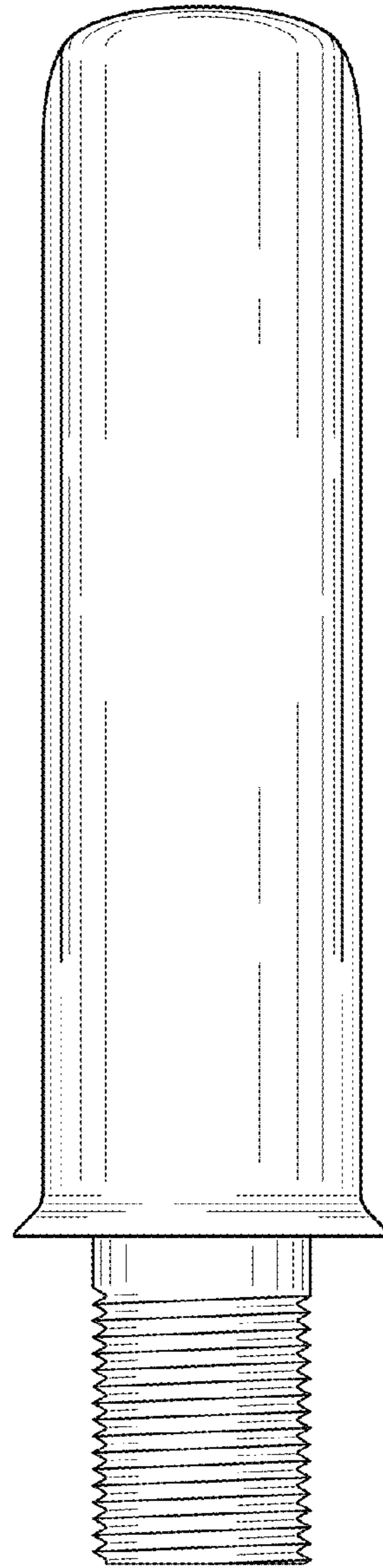


FIG. 3

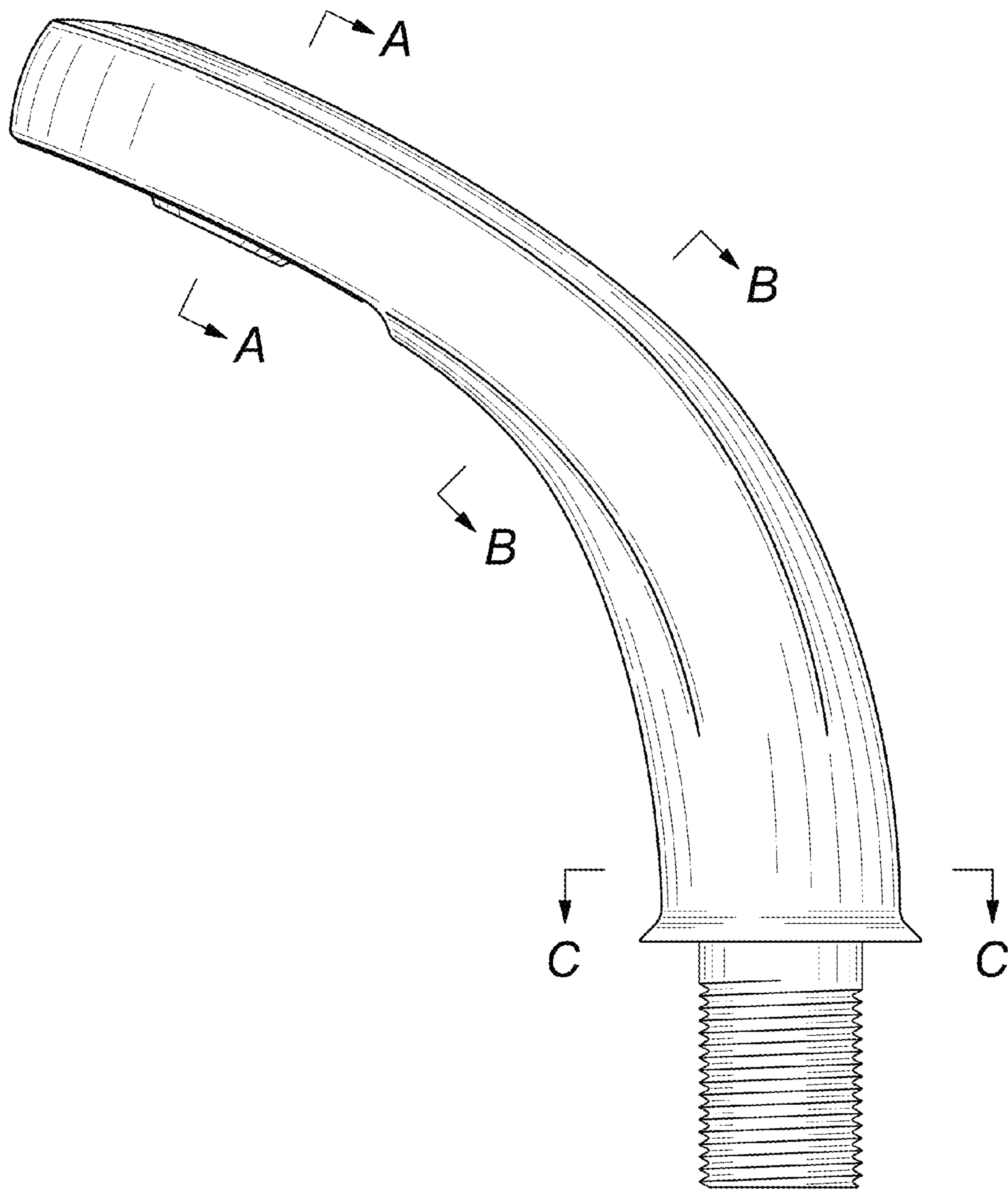


FIG. 4

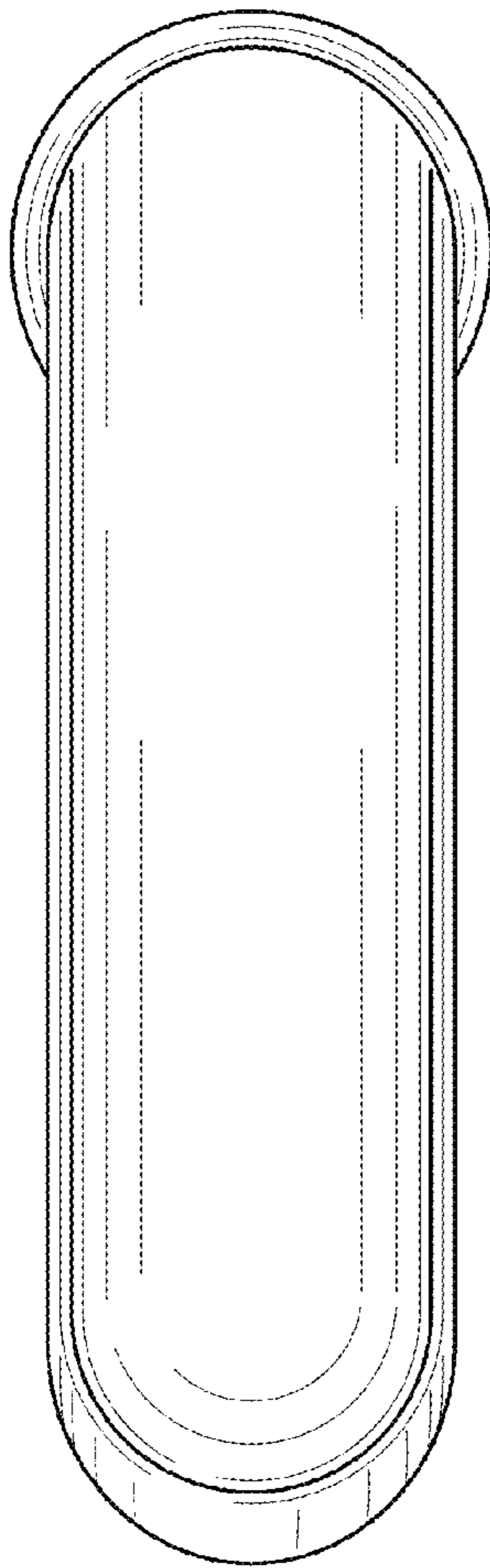


FIG. 5

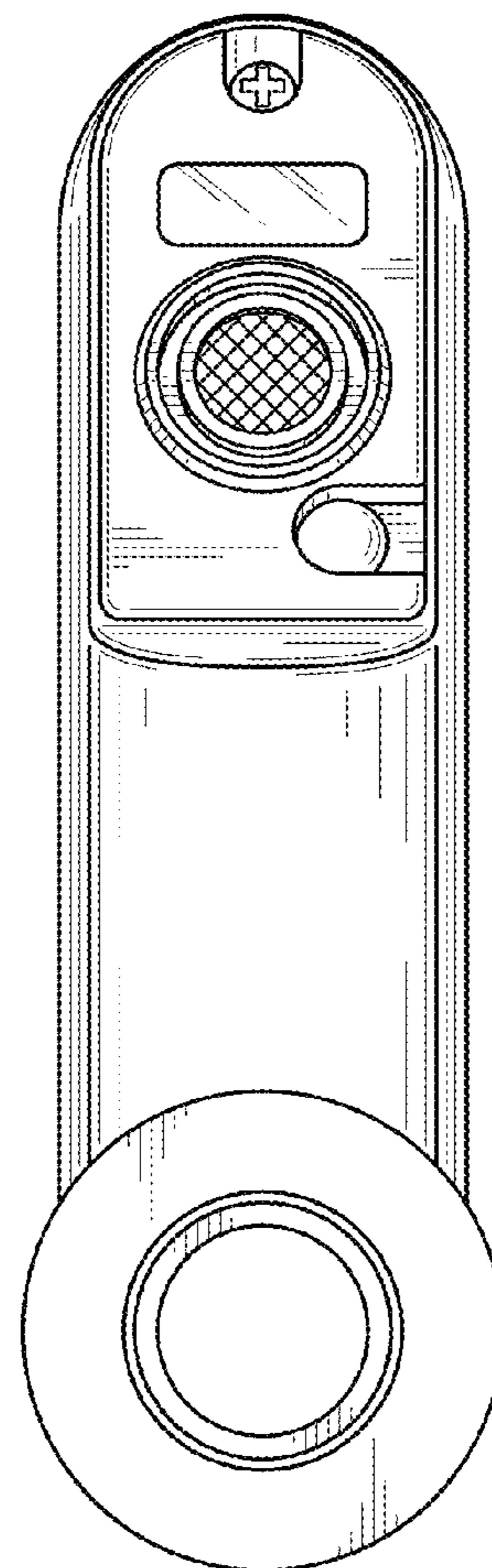


FIG. 6

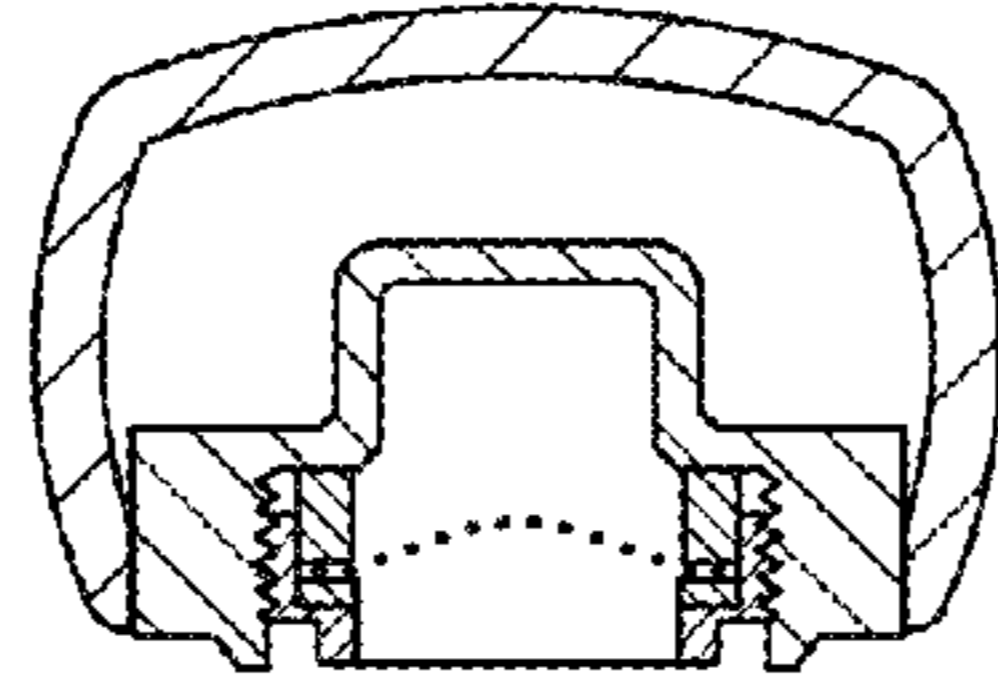


FIG. 7

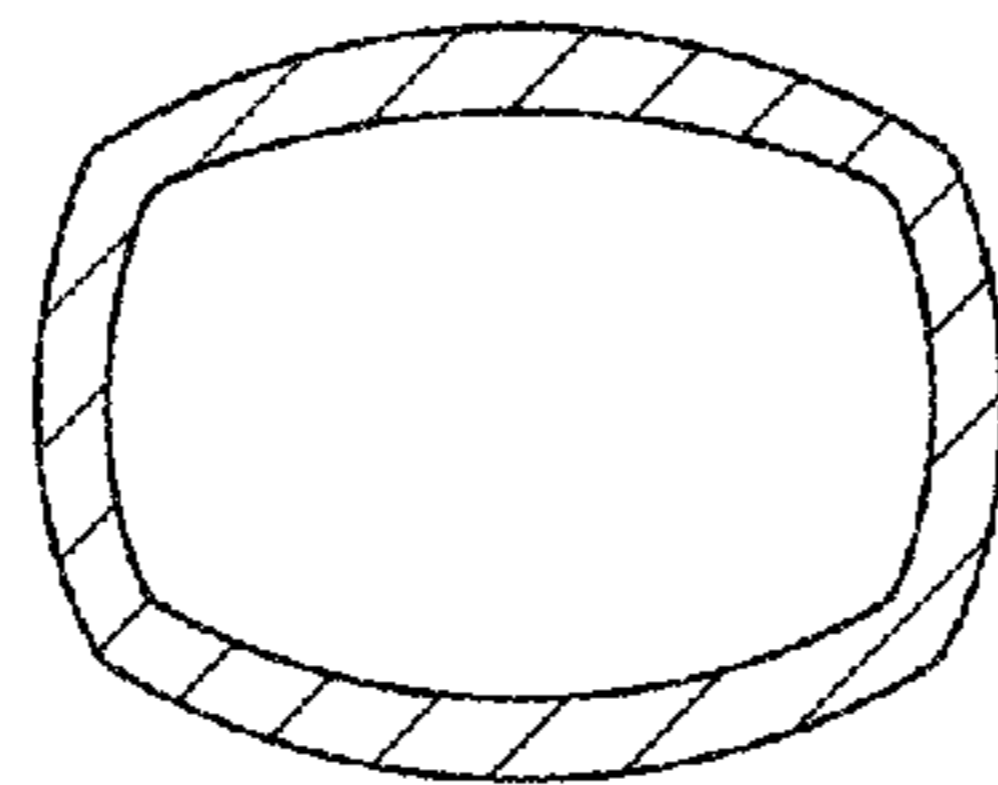


FIG. 8

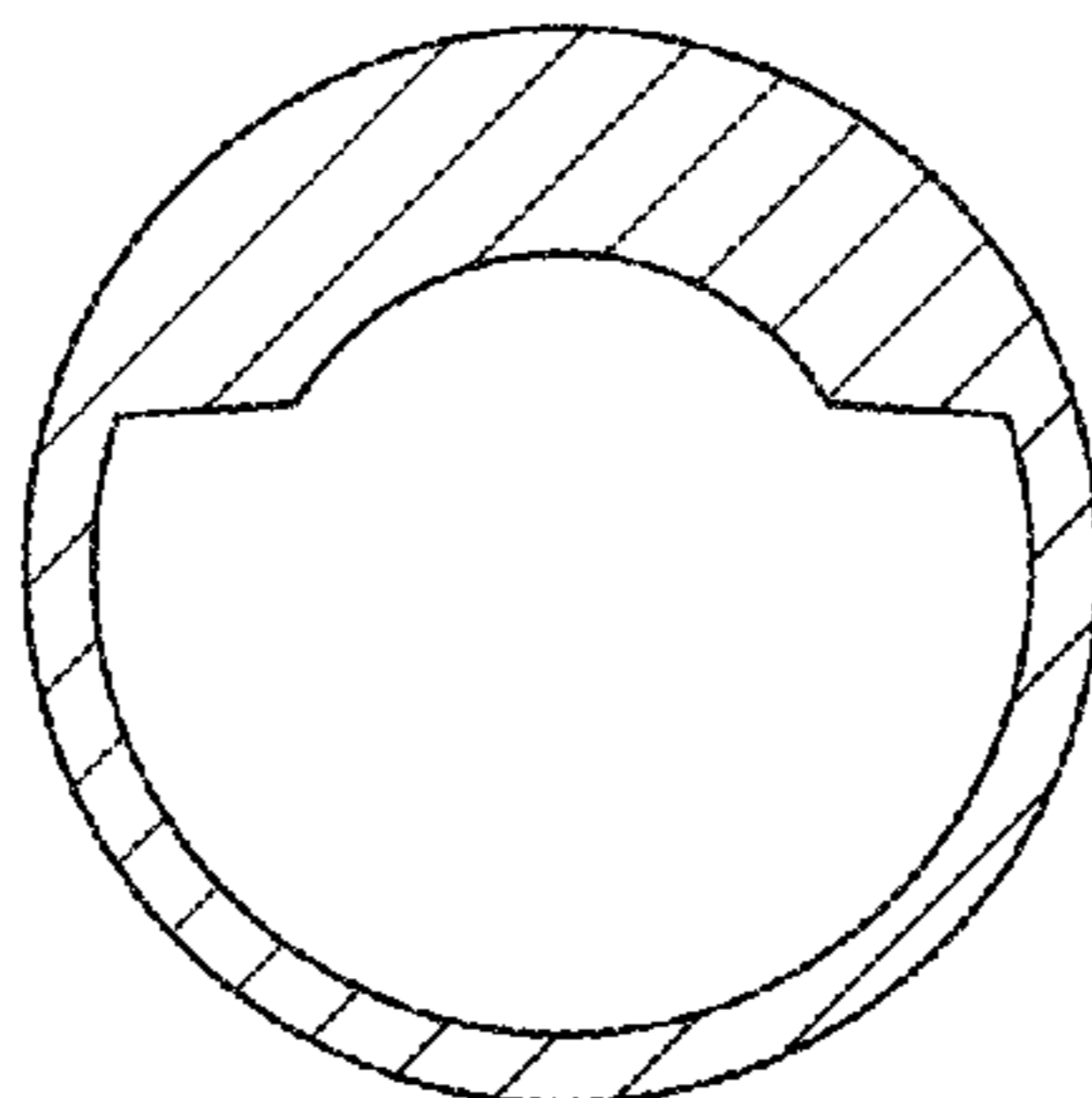


FIG. 9