



US00D704808S

(12) **United States Design Patent**  
**Flowers et al.**

(10) **Patent No.:** **US D704,808 S**

(45) **Date of Patent:** **\*\* May 13, 2014**

(54) **WIDASET SPOUT**

D655,787 S \* 3/2012 Obara et al. .... D23/242

\* cited by examiner

(71) Applicant: **Grohe AG**, Hemer (DE)

*Primary Examiner* — Robert Delehanty

(72) Inventors: **Paul Flowers**, Duesseldorf (DE); **Jochen Allard**, Menden (DE)

(74) *Attorney, Agent, or Firm* — Muncy, Geissler, Olds & Lowe, P.C.

(73) Assignee: **Grohe AG**, Hemer (DE)

(57) **CLAIM**

(\*\*) Term: **14 Years**

The ornamental design for a widaset spout, as shown and described.

(21) Appl. No.: **29/465,443**

**DESCRIPTION**

(22) Filed: **Aug. 28, 2013**

(30) **Foreign Application Priority Data**

Apr. 2, 2013 (EM) ..... 002212399-0004

(51) **LOC (10) Cl.** ..... **23-01**

(52) **U.S. Cl.**  
USPC ..... **D23/255**

(58) **Field of Classification Search**  
USPC ..... 4/675-678; 137/801  
See application file for complete search history.

FIG. 1 is a front elevational view of a widaset spout according to a second embodiment of the present invention.

FIG. 2 is a rear elevational view of the widaset spout of FIG. 1.

FIG. 3 is a right side elevational view of the widaset spout of FIG. 1.

FIG. 4 is a left side elevational view of the widaset spout of FIG. 1.

FIG. 5 is a top plan view of the widaset spout of FIG. 1.

FIG. 6 is a bottom plan view of the widaset spout of FIG. 1; and,

FIG. 7 is a perspective view of the widaset spout of FIG. 1.

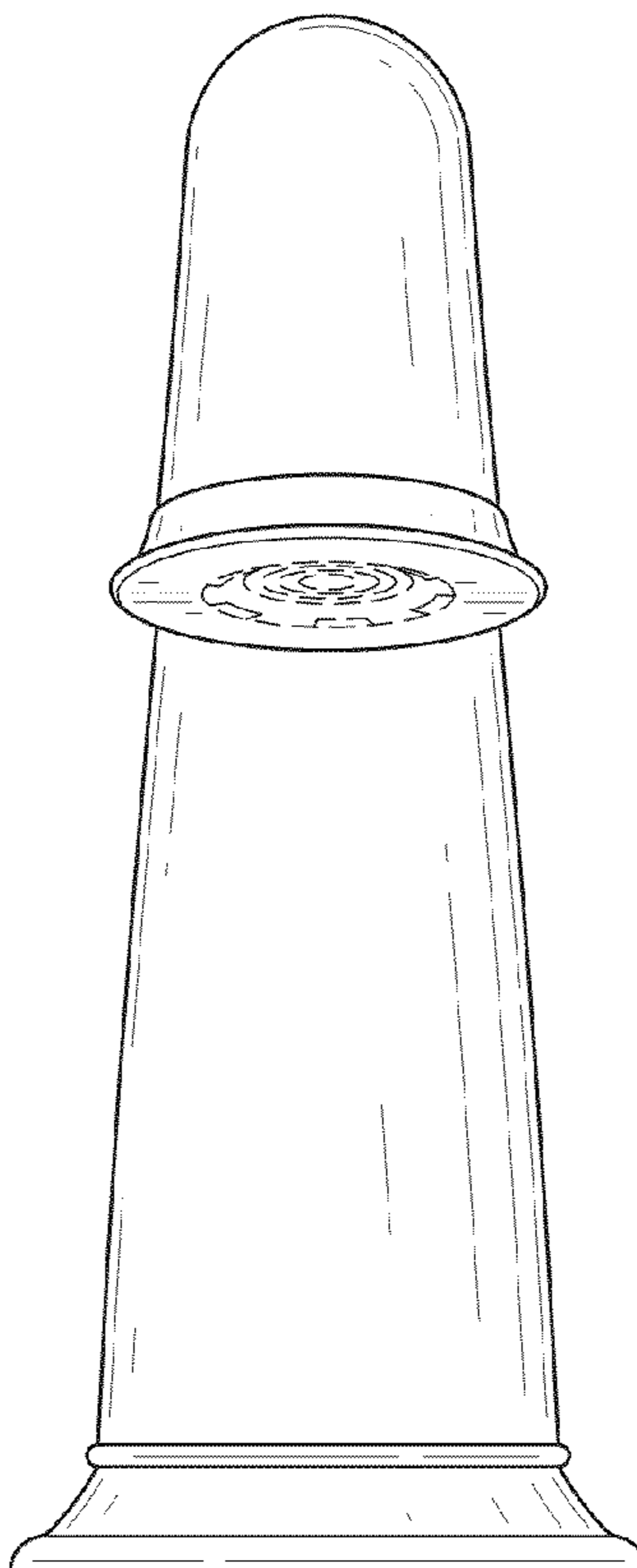
The dashed lines illustrate environment that does not form a part of the present invention, and no claim is made to the material illustrated with dashed lines.

(56) **References Cited**

**U.S. PATENT DOCUMENTS**

D465,266 S \* 11/2002 Singtoroj ..... D23/238  
D519,610 S \* 4/2006 Fritz ..... D23/241

**1 Claim, 7 Drawing Sheets**



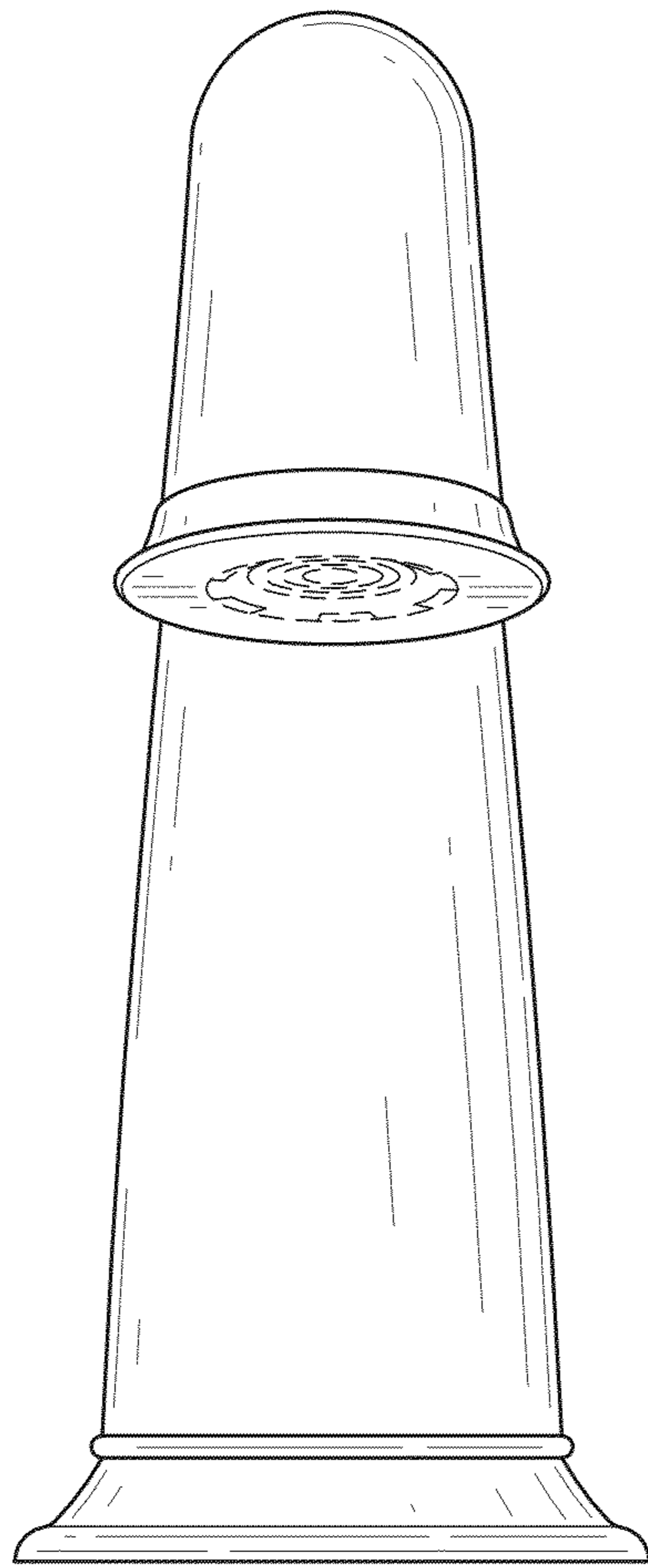


FIG.1

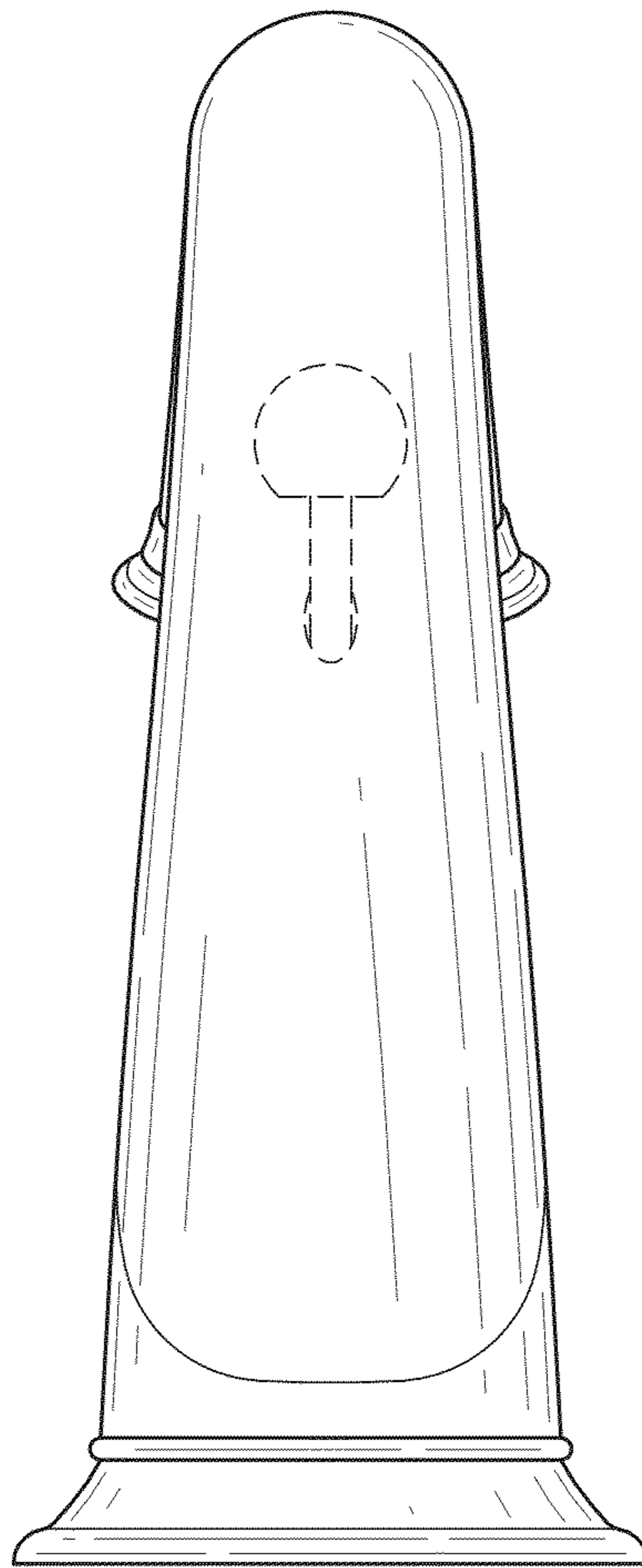


FIG.2

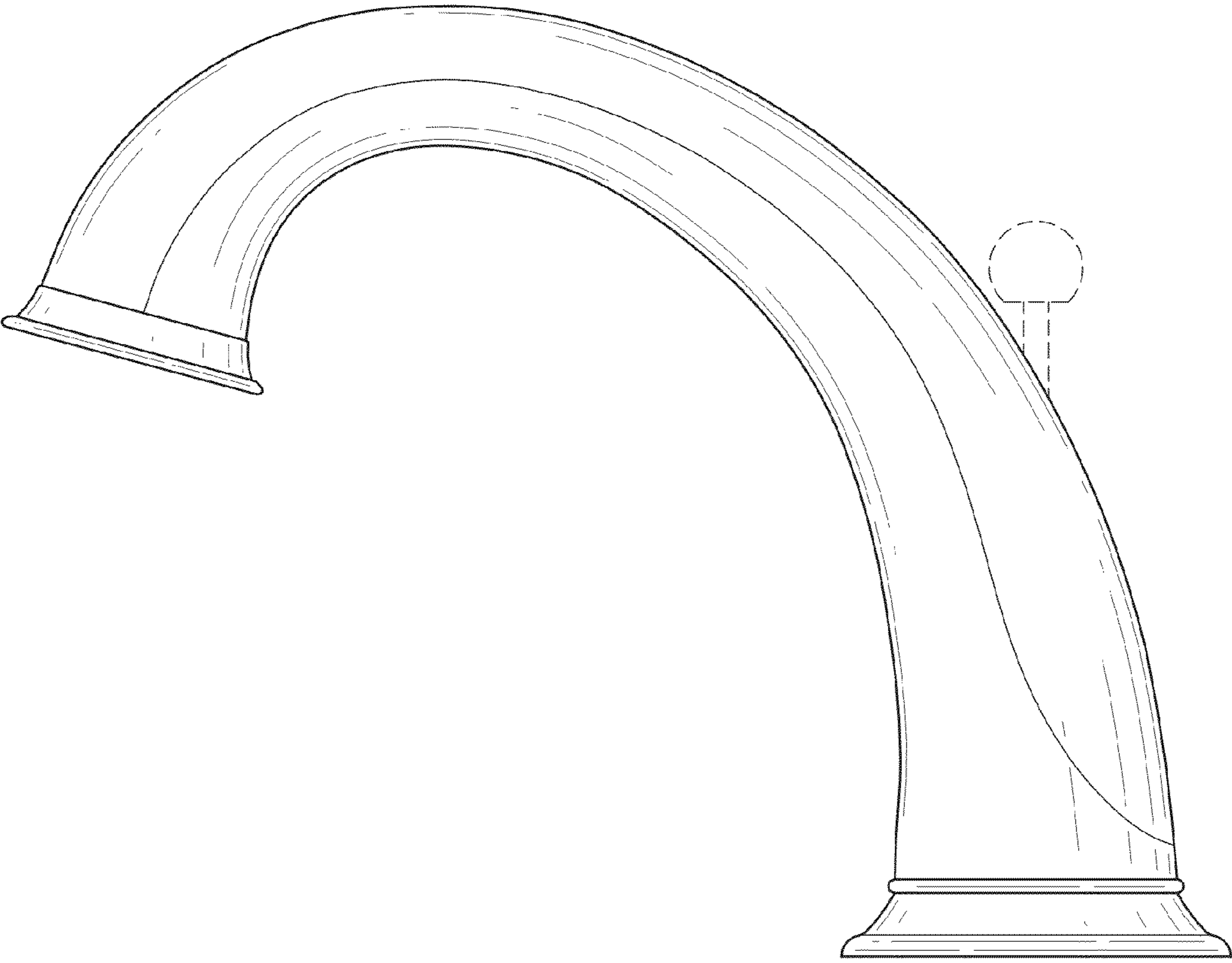


FIG.3

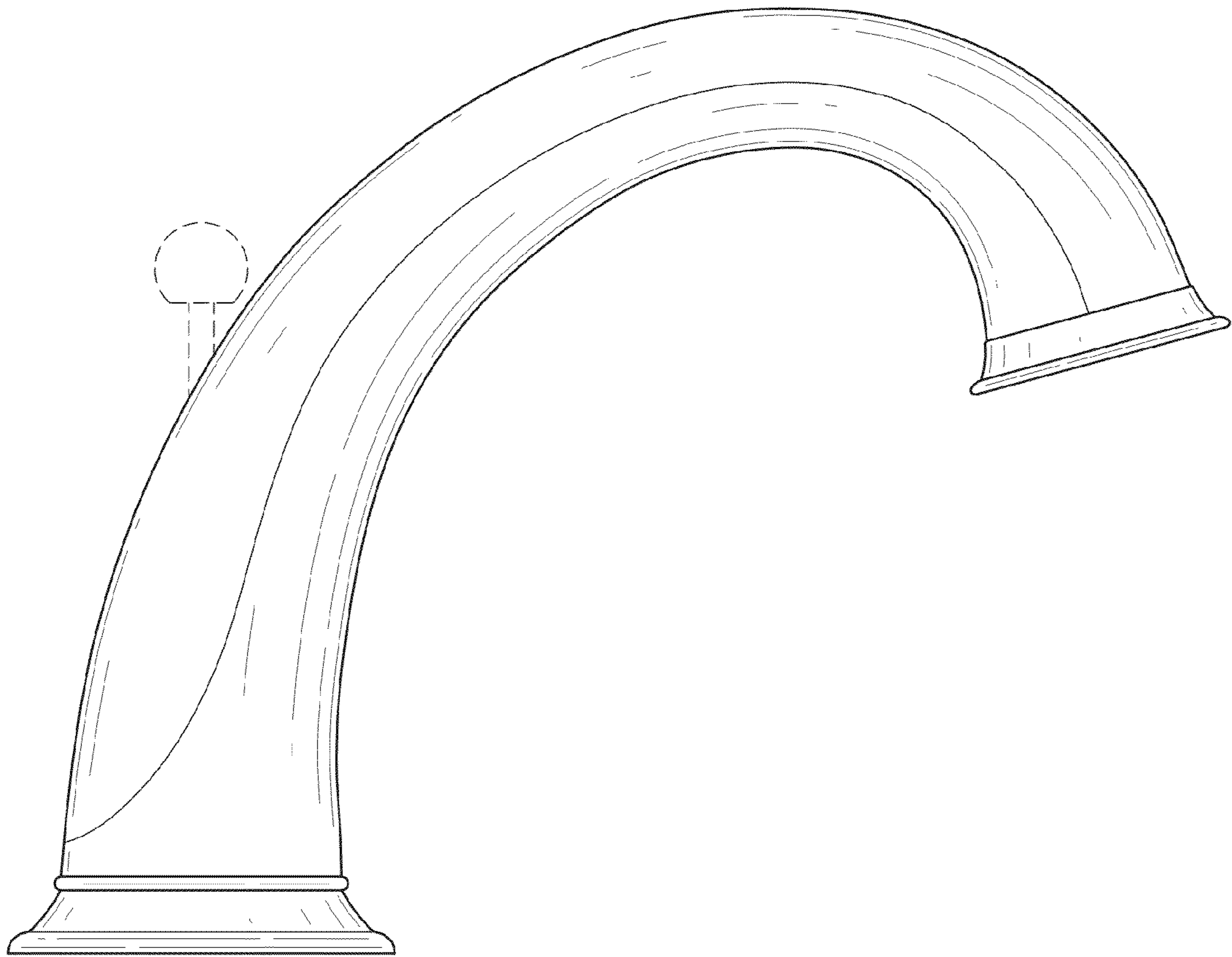


FIG.4

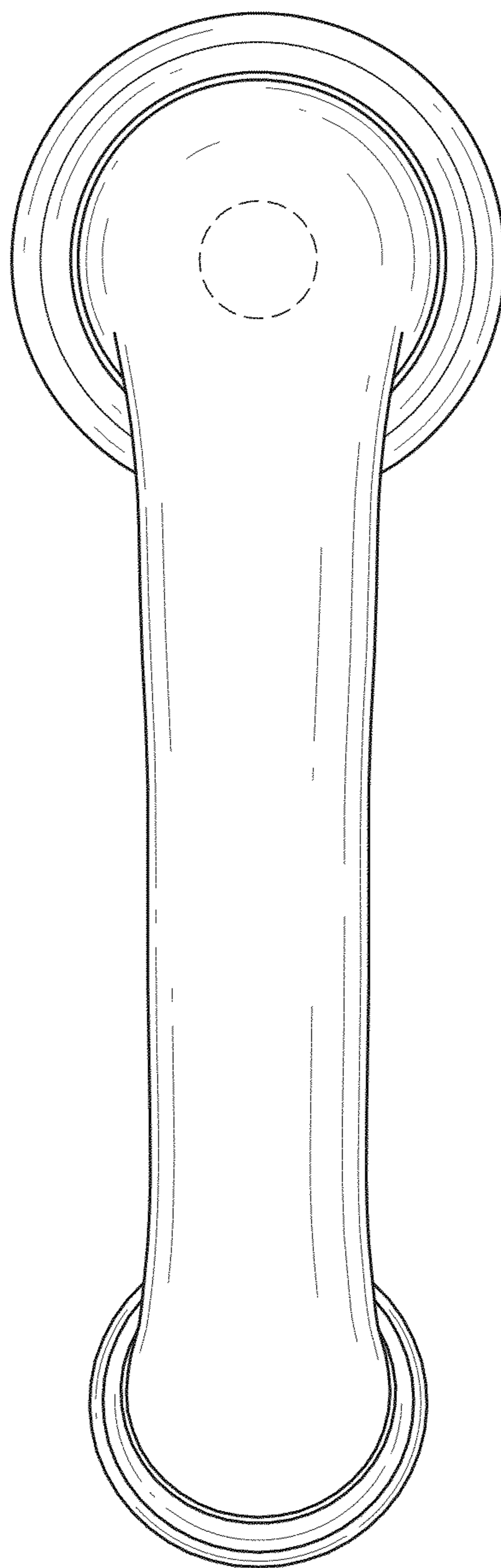


FIG.5

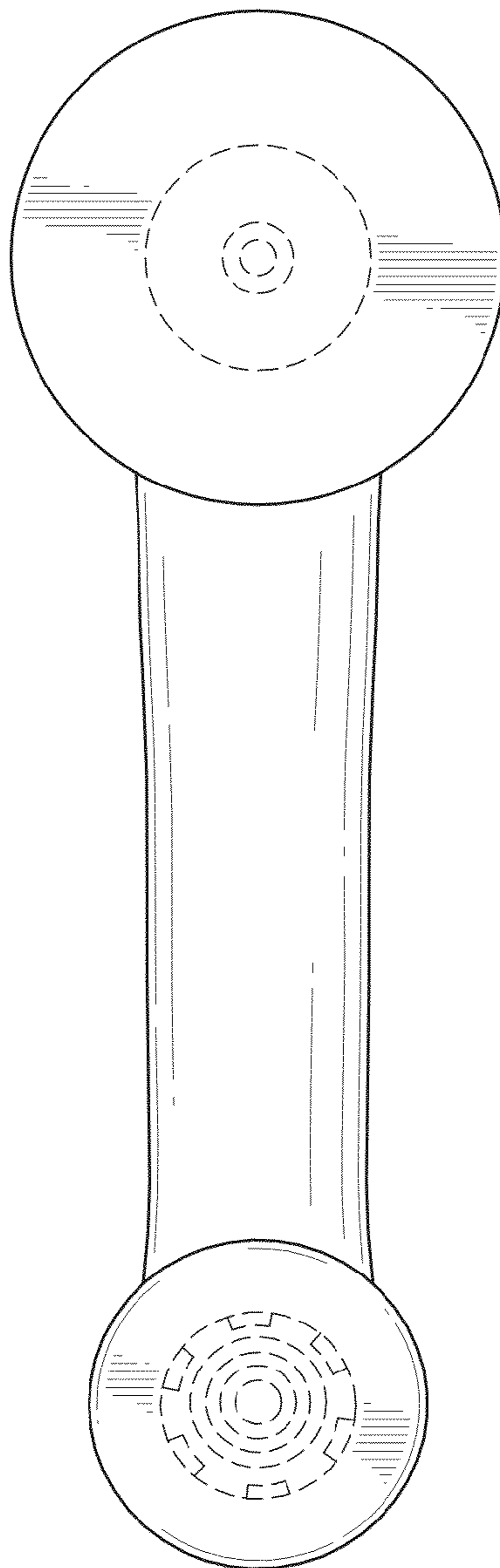


FIG.6

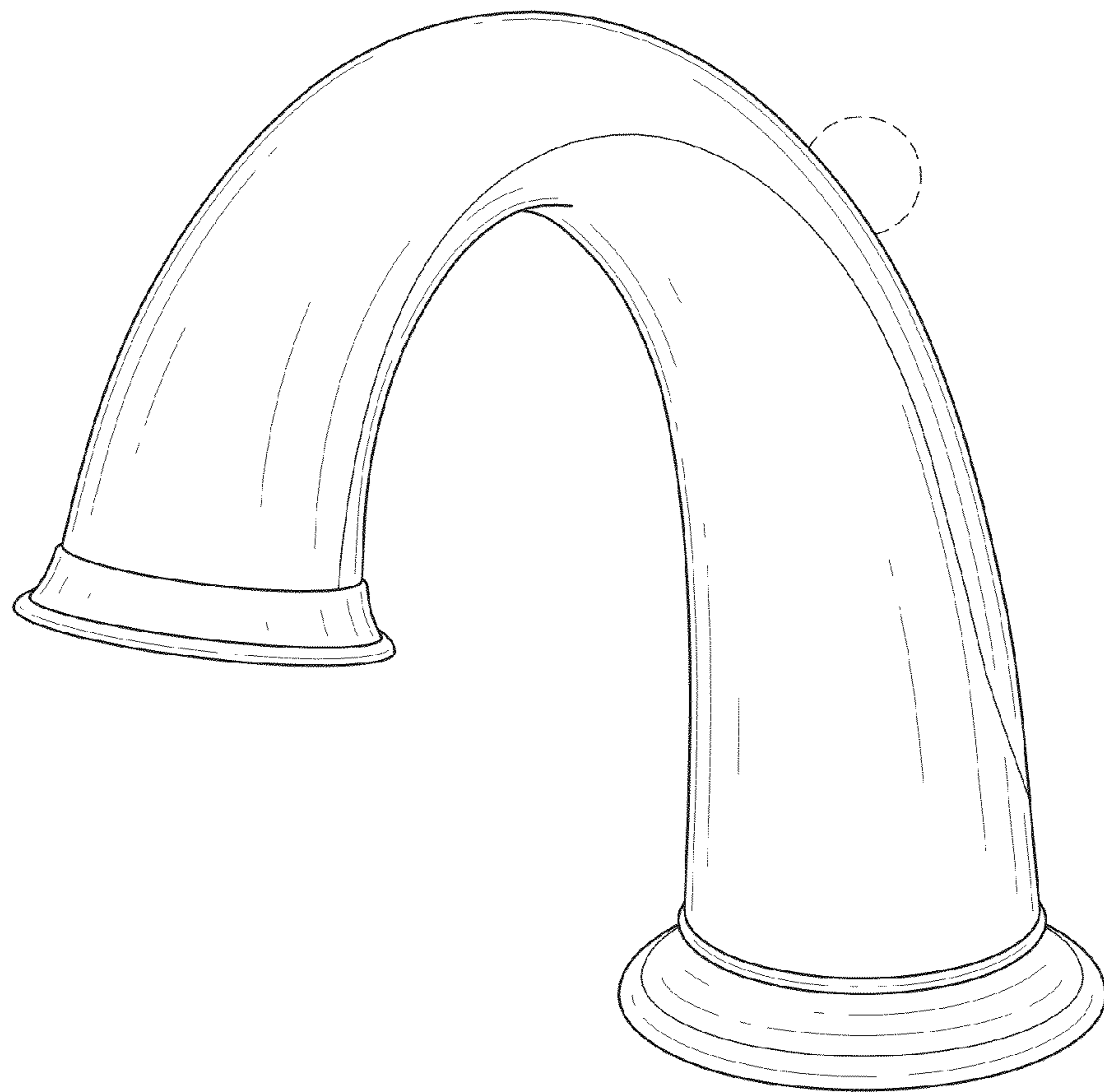


FIG.7