



US00D704807S

(12) **United States Design Patent**  
**Hahn et al.**

(10) **Patent No.:** **US D704,807 S**

(45) **Date of Patent:** **\*\* May 13, 2014**

(54) **WATERSPOUT**

2,261,056 A 10/1941 Dunn  
2,282,073 A 5/1942 McDonald  
2,383,235 A 8/1945 Brown

(71) Applicant: **Kohler Co.**, Kohler, WI (US)

(Continued)

(72) Inventors: **Mathias Hahn**, London (GB); **Paolo Grazioli**, Cassina de Pecchi (IT); **Anael Tasserit**, Trigny (FR)

FOREIGN PATENT DOCUMENTS

(73) Assignee: **Kohler Co.**, Kohler, WI (US)

CN 3036146 10/1995  
CN 3041598 2/1996

(Continued)

(\*\*) Term: **14 Years**

OTHER PUBLICATIONS

(21) Appl. No.: **29/462,630**

Notice of Allowance dated Dec. 18, 2013 in related U.S. App. No. 29/472,171.

(22) Filed: **Aug. 6, 2013**

(Continued)

**Related U.S. Application Data**

(60) Division of application No. 29/413,826, filed on Feb. 21, 2012, now Pat. No. Des. 694,366, which is a continuation of application No. 29/397,068, filed on Jul. 11, 2011, now abandoned.

*Primary Examiner* — Robert Delehanty

(74) *Attorney, Agent, or Firm* — Foley & Lardner LLP

(30) **Foreign Application Priority Data**

Jan. 14, 2011 (EP) ..... 001805938

(51) **LOC (10) Cl.** ..... **23-01**

(52) **U.S. Cl.**  
USPC ..... **D23/255**

(58) **Field of Classification Search**  
USPC ..... D23/238–243, 255, 257; 4/675–678;  
137/801  
See application file for complete search history.

(57) **CLAIM**

We claim the ornamental design for a waterspout, as shown and described.

**DESCRIPTION**

FIG. 1 is a top perspective view of a waterspout according to an exemplary embodiment;

FIG. 2 is a left-side elevation view of the waterspout of FIG. 1;

FIG. 3 is a top plan view of the waterspout of FIG. 1;

FIG. 4 is a bottom plan view of the waterspout of FIG. 1;

FIG. 5 is a front elevation view of the waterspout of FIG. 1; and,

FIG. 6 is a rear elevation view of the waterspout of FIG. 1.

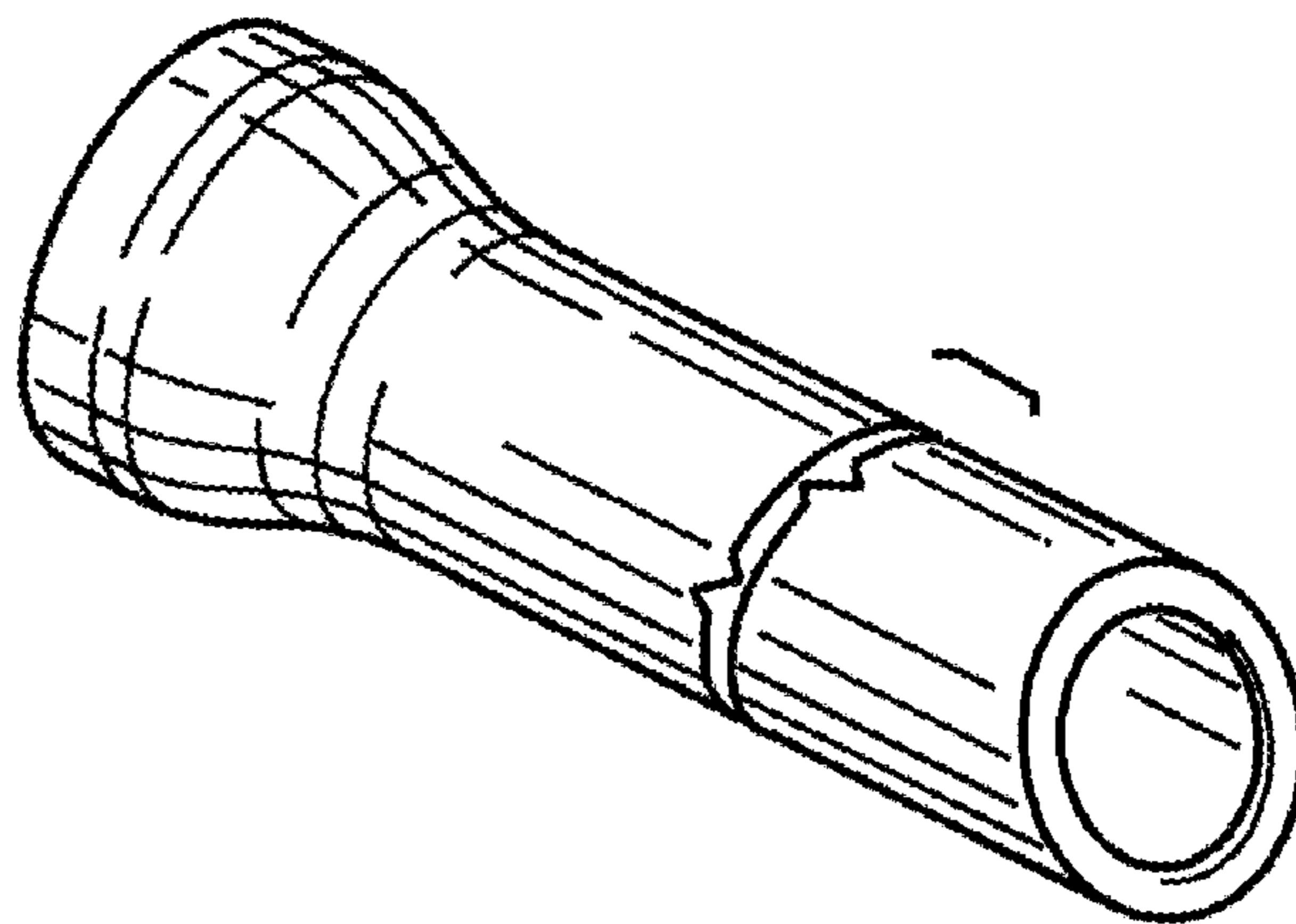
The ornamental design which is claimed is shown in solid lines in the drawings. The broken lines in the drawings are for illustrative purposes only and form no part of the claimed design.

(56) **References Cited**

U.S. PATENT DOCUMENTS

1,454,280 A 5/1923 Henrikson  
1,982,538 A 11/1934 Reedy  
2,183,271 A 12/1939 Wendel

**1 Claim, 1 Drawing Sheet**



(56)

References Cited

U.S. PATENT DOCUMENTS

2,874,001 A 2/1959 Webb  
 RE26,889 E 5/1970 Hindman  
 4,145,004 A 3/1979 Krizik  
 D254,627 S 4/1980 Kelly et al.  
 4,272,022 A 6/1981 Evans  
 4,754,928 A 7/1988 Rogers et al.  
 4,821,960 A 4/1989 Goldman  
 D318,904 S 8/1991 Hartkopf  
 D325,622 S 4/1992 Bengtson  
 D326,505 S 5/1992 Kohler, Jr. et al.  
 5,213,267 A 5/1993 Heimann et al.  
 5,228,625 A 7/1993 Grassberger  
 D341,647 S 11/1993 Bengtson  
 5,356,078 A 10/1994 Bischoff  
 5,381,957 A 1/1995 Bianco  
 D364,449 S 11/1995 Ellenberger  
 5,779,146 A 7/1998 Cutler  
 D405,430 S 2/1999 Matsushima  
 D408,892 S 4/1999 Marshall  
 5,992,762 A 11/1999 Wang  
 6,021,960 A 2/2000 Kehat  
 6,098,899 A 8/2000 Rosenberg  
 6,113,002 A 9/2000 Finkbeiner  
 D440,637 S 4/2001 Lefroy-Brooks  
 D441,060 S \* 4/2001 Lefroy-Brooks ..... D23/255  
 6,250,572 B1 6/2001 Chen  
 D450,814 S 11/2001 Aldred et al.  
 6,382,531 B1 5/2002 Tracy  
 D461,545 S 8/2002 Nishio  
 D469,157 S 1/2003 Lobermeier  
 D480,454 S 10/2003 Filer  
 6,641,057 B2 11/2003 Thomas et al.  
 6,739,527 B1 5/2004 Chung  
 6,776,357 B1 8/2004 Naito  
 D510,126 S 9/2005 Ouyoung  
 D510,409 S 10/2005 Xiang et al.  
 6,951,227 B1 10/2005 Su  
 D511,370 S 11/2005 Kennard  
 D517,167 S \* 3/2006 Kulig ..... D23/238  
 D517,647 S 3/2006 Kulig  
 D518,871 S 4/2006 Gillette et al.  
 D520,119 S 5/2006 Kulig  
 7,111,798 B2 9/2006 Thomas et al.  
 7,178,746 B2 2/2007 Gross  
 7,246,760 B2 7/2007 Marty et al.  
 D559,956 S 1/2008 Heck et al.  
 7,347,388 B2 3/2008 Chung  
 7,364,097 B2 4/2008 Okuma  
 D572,796 S 7/2008 Genord et al.  
 D576,707 S 9/2008 Schonherr et al.  
 D577,104 S 9/2008 Latorraca  
 D579,518 S 10/2008 Shieh  
 D584,383 S 1/2009 Eilmus  
 D589,592 S 3/2009 Genord et al.  
 D591,398 S 4/2009 Lammel et al.  
 D591,407 S 4/2009 Youssef et al.  
 7,537,175 B2 5/2009 Miura et al.  
 D603,941 S 11/2009 Leelaprachakul  
 D605,935 S 12/2009 Zeyfang  
 7,721,979 B2 5/2010 Mazzola  
 D619,206 S 7/2010 Jian et al.  
 D620,080 S 7/2010 Jian et al.  
 D620,557 S 7/2010 Eilmus  
 7,761,937 B2 7/2010 Foutz et al.  
 D635,647 S 4/2011 Montgomery et al.  
 D636,849 S 4/2011 Yoo et al.  
 D646,760 S 10/2011 Slothower et al.  
 D651,288 S 12/2011 Slothower et al.  
 D652,115 S 1/2012 Wang et al.  
 D653,731 S 2/2012 Bailey  
 D667,078 S 9/2012 Rodney  
 D676,112 S 2/2013 Wu  
 D683,434 S 5/2013 Kwok  
 D684,666 S \* 6/2013 Lord ..... D23/238  
 D686,702 S 7/2013 Eilmus

D694,366 S \* 11/2013 Hahn et al. .... D23/238  
 2003/0062426 A1 4/2003 Gregory et al.  
 2005/0001072 A1 1/2005 Bolus et al.  
 2005/0229989 A1 10/2005 Su  
 2006/0163391 A1 7/2006 Schorn  
 2007/0200013 A1 8/2007 Hsiao  
 2007/0246577 A1 10/2007 Leber  
 2007/0252021 A1 11/2007 Cristina  
 2009/0127353 A1 5/2009 Meisner et al.  
 2009/0200404 A1 8/2009 Cristina  
 2009/0218420 A1 9/2009 Mazzola  
 2010/0019067 A1 1/2010 Okuma  
 2010/0038454 A1 2/2010 Shieh  
 2010/0264238 A1 10/2010 Wang et al.  
 2013/0186496 A1 7/2013 Hsu

FOREIGN PATENT DOCUMENTS

CN 3246946 7/2002  
 CN 3273368 1/2003  
 CN 3287724 4/2003  
 CN 3359629 3/2004  
 CN 3392114 9/2004  
 CN 3412378 12/2004  
 CN 3417527 1/2005  
 CN 3438645 4/2005  
 CN 3479720 12/2005  
 CN 3532760 5/2006  
 CN 3655214 6/2007  
 CN 3660729 6/2007  
 CN 300831092 9/2008  
 CN 300841714 10/2008  
 CN 300879523 1/2009  
 CN 300921263 5/2009  
 CN 300986664 8/2009  
 CN 301130553 2/2010  
 CN 301149915 3/2010  
 CN 301201926 S 5/2010  
 CN 301285773 S 7/2010  
 CN 30136724 S 8/2010  
 CN 301301713 S 8/2010  
 CN 301386209 S 11/2010  
 EP 0 443 538 8/1991  
 EP 0 484 308 5/1992  
 EP 0 514 752 11/1992  
 EP 0514 751 11/1992  
 EP 0 591 877 4/1994  
 EP 0 894 536 2/1999  
 EP 0 986 678 3/2000  
 EP 1 123 742 8/2001  
 EP 1 243 707 9/2002  
 EP 1 290 967 3/2003  
 EP 1 308 565 5/2003  
 EP 1 405 955 4/2004  
 EP 1 707 694 10/2006  
 EP 2 095 878 9/2009  
 EP 2 223 676 9/2010  
 EP 2 226 054 9/2010  
 JP D2007-24180 7/2008  
 KR 30-2005-0021227 4/2006  
 WO WODM/055700 5/2001  
 WO WO 01/54822 8/2001  
 WO WODM/059898 6/2002  
 WO WODM/064149 9/2003  
 WO WODM/064435 11/2003  
 WO WODM/067103 2/2006  
 WO WO 2007/120422 10/2007  
 WO WO 2009/058208 5/2009  
 WO WO 2010/036241 4/2010

OTHER PUBLICATIONS

Notice of Allowance dated Dec. 26, 2013 in related U.S. App. No. 29/462,633.  
 Notice of Allowance dated Dec. 18, 2013 in related U.S. App. No. 29/472,167.

\* cited by examiner

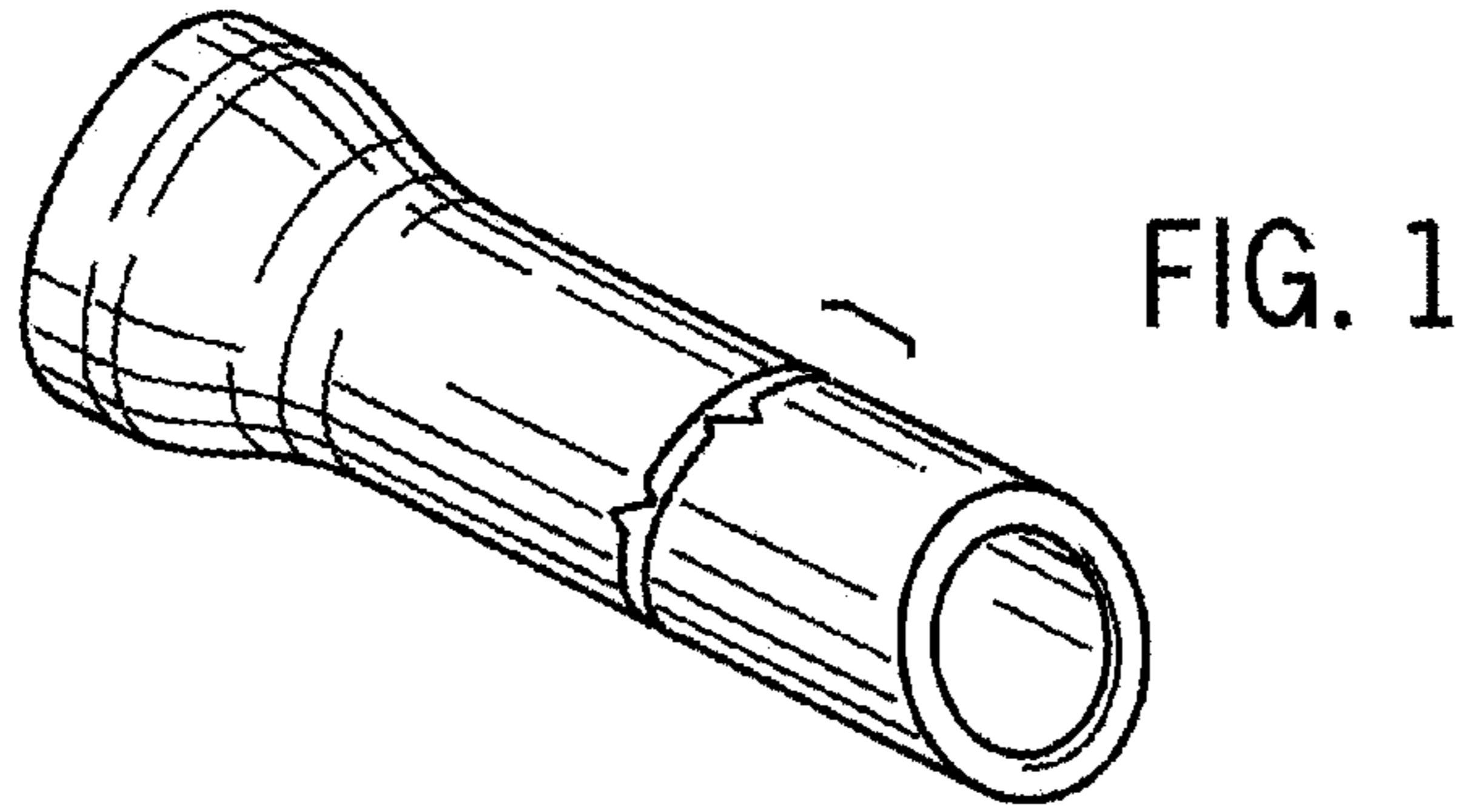


FIG. 1

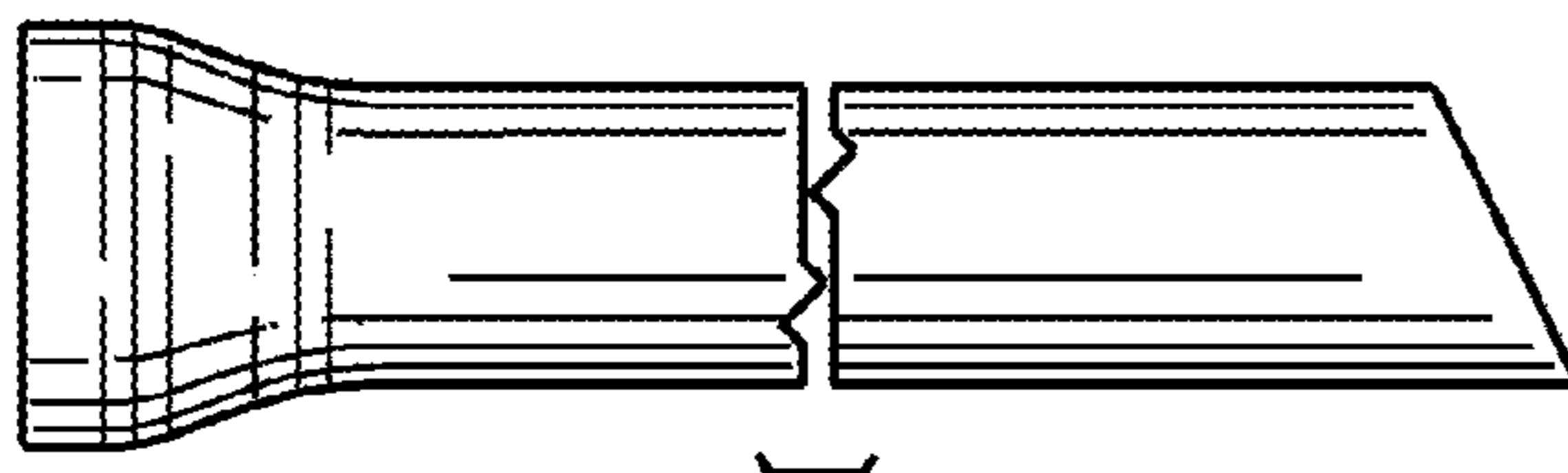


FIG. 2

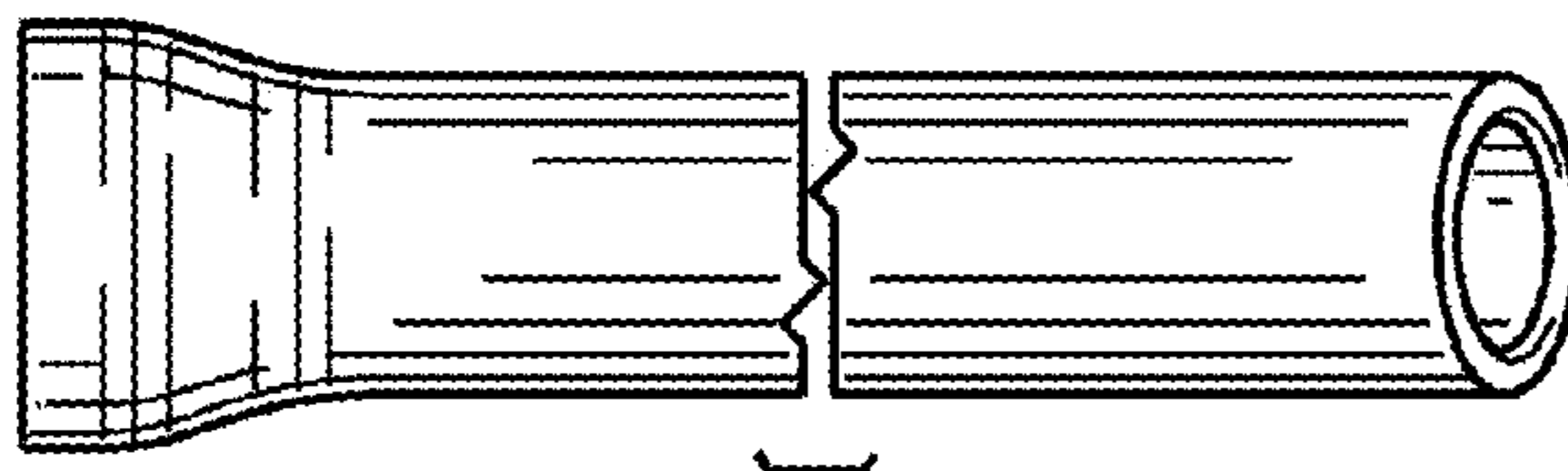


FIG. 3

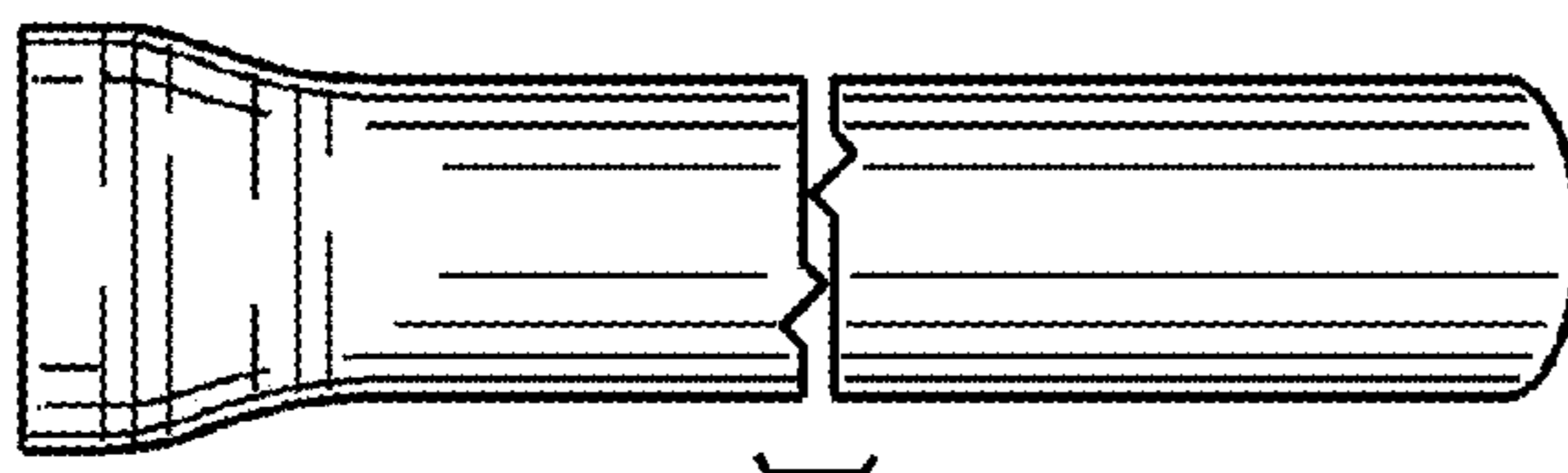


FIG. 4

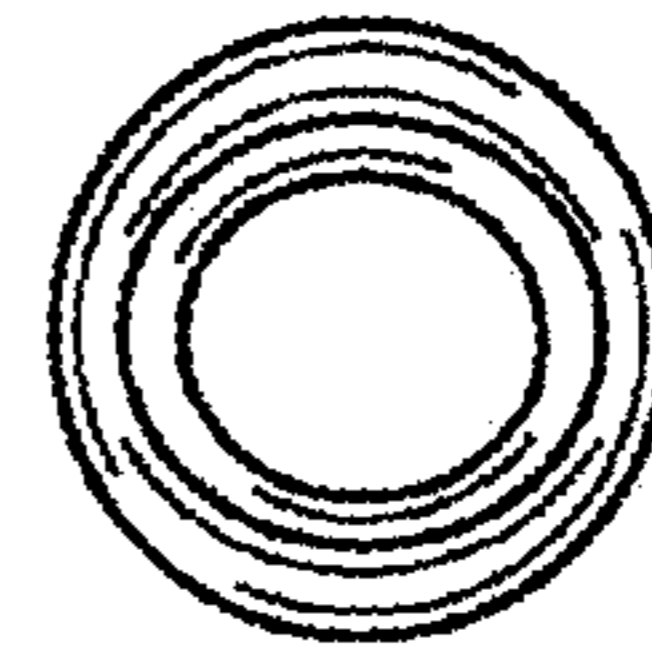


FIG. 5

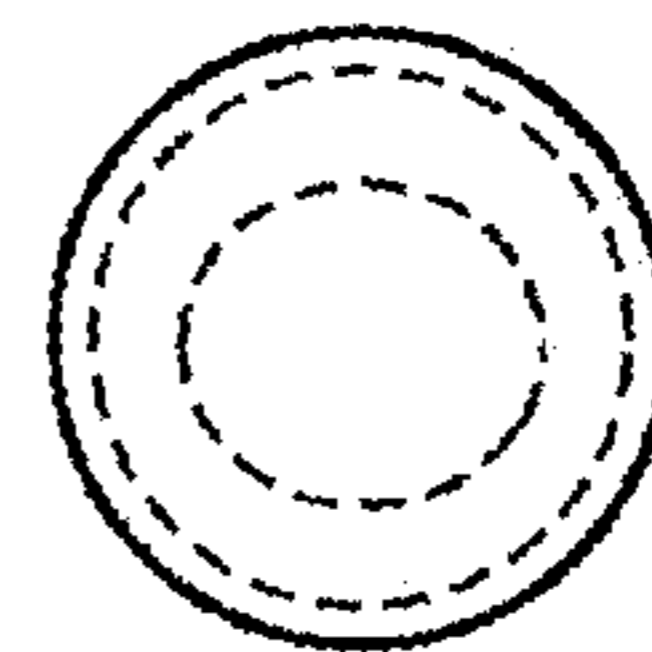


FIG. 6