



US00D704802S

(12) **United States Design Patent**
Hahn et al.

(10) **Patent No.:** **US D704,802 S**
(45) **Date of Patent:** **** May 13, 2014**

(54) **FAUCET**

2,183,271 A 12/1939 Wendel
2,261,056 A 10/1941 Dunn
2,282,073 A 5/1942 McDonald

(71) Applicant: **Kohler Co.**, Kohler, WI (US)

(Continued)

(72) Inventors: **Mathias Hahn**, London (GB); **Paolo Grazioli**, Cassina de Pecchi (IT); **Anael Tasserit**, Trigny (FR)

FOREIGN PATENT DOCUMENTS

(73) Assignee: **Kohler Co.**, Kohler, WI (US)

CN 3036146 10/1995
CN 3041598 2/1996

(Continued)

(**) Term: **14 Years**

OTHER PUBLICATIONS

(21) Appl. No.: **29/472,171**

Notice of Allowance dated Dec. 26, 2013 in related Design U.S. Appl. No. 29/462,633.

(22) Filed: **Nov. 8, 2013**

(Continued)

Related U.S. Application Data

(60) Division of application No. 29/462,631, filed on Aug. 6, 2013, which is a division of application No. 29/413,826, filed on Feb. 21, 2012, now Pat. No. Des. 694,366, which is a continuation of application No. 29/397,068, filed on Jul. 11, 2011, now abandoned.

Primary Examiner — Robert Delehanty

(74) *Attorney, Agent, or Firm* — Foley & Lardner LLP

(30) **Foreign Application Priority Data**

Jan. 14, 2011 (EP) 001805938

(51) **LOC (10) Cl.** **23-01**

(52) **U.S. Cl.**
USPC **D23/238**

(58) **Field of Classification Search**
USPC D23/238-243, 255, 257; 4/675-678;
137/801

See application file for complete search history.

(56) **References Cited**

U.S. PATENT DOCUMENTS

1,454,280 A 5/1923 Henrikson
1,982,538 A 11/1934 Reedy

(57) **CLAIM**

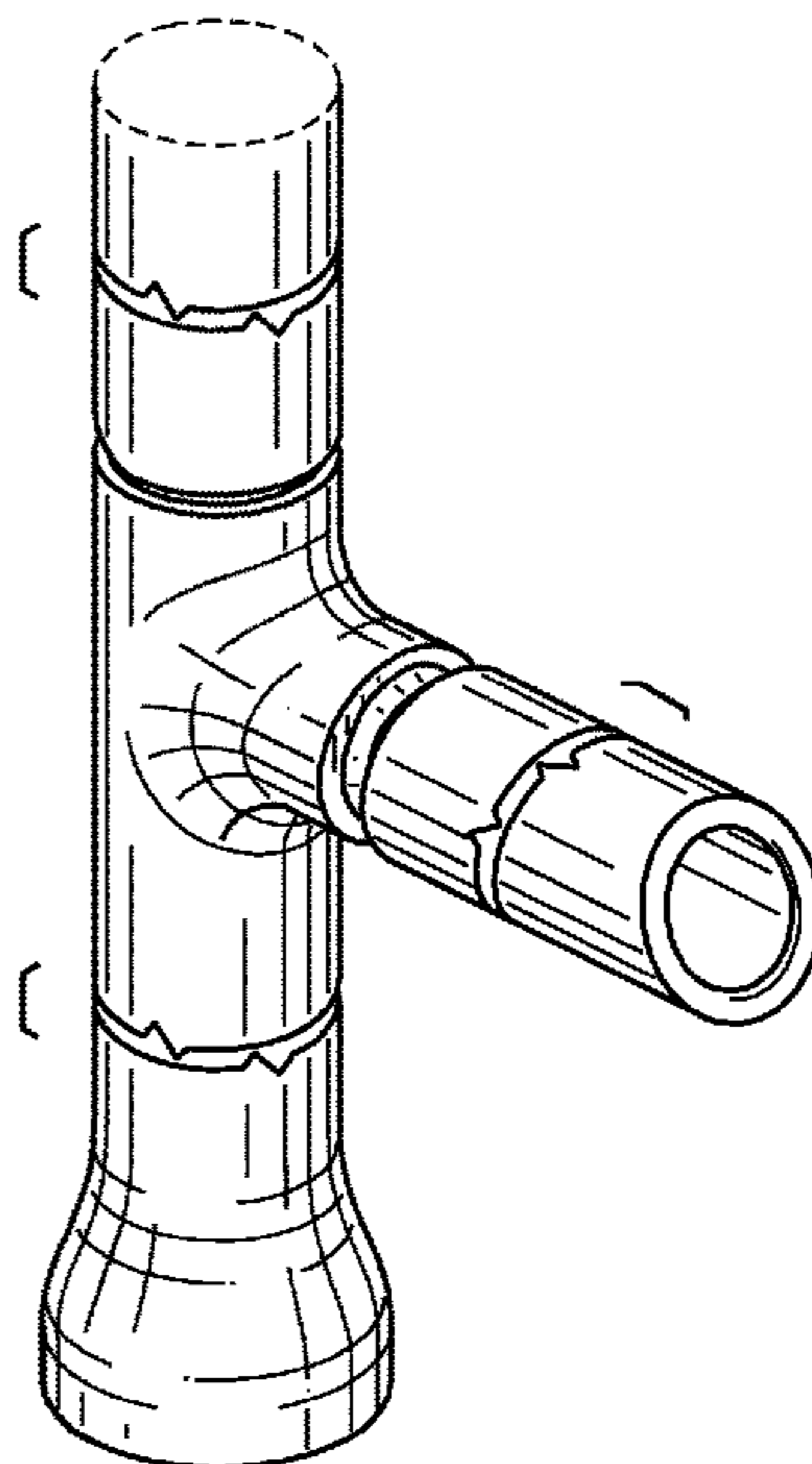
We claim the ornamental design for a faucet, as shown and described.

DESCRIPTION

FIG. 1 is a top perspective view of a faucet according to an exemplary embodiment;
FIG. 2 is a left-side elevation view of the faucet of FIG. 1;
FIG. 3 is a front elevation view of the faucet of FIG. 1;
FIG. 4 is a rear elevation view of the faucet of FIG. 1;
FIG. 5 is a top plan view of the faucet of FIG. 1; and,
FIG. 6 is a bottom plan view of the faucet of FIG. 1.

The ornamental design which is claimed is shown in solid lines in the drawings. The broken lines in the drawings are for illustrative purposes only and form no part of the claimed design.

1 Claim, 2 Drawing Sheets



(56)

References Cited

U.S. PATENT DOCUMENTS

2,383,235 A 8/1945 Brown
 2,874,001 A 2/1959 Webb
 RE26,889 E 5/1970 Hindman
 4,145,004 A 3/1979 Krizik
 D254,627 S 4/1980 Kelly et al.
 4,272,022 A 6/1981 Evans
 4,754,928 A 7/1988 Rogers et al.
 4,821,960 A 4/1989 Goldman
 D318,904 S * 8/1991 Hartkopf D23/252
 D325,622 S 4/1992 Bengtson
 D326,505 S 5/1992 Kohler, Jr. et al.
 5,213,267 A 5/1993 Heimann et al.
 5,228,625 A 7/1993 Grassberger
 D341,647 S 11/1993 Bengtson
 5,356,078 A 10/1994 Bischoff
 5,381,957 A 1/1995 Bianco
 D364,449 S 11/1995 Ellenberger
 5,779,146 A 7/1998 Cutler
 D405,430 S 2/1999 Matsushima
 D408,892 S 4/1999 Marshall
 5,992,762 A 11/1999 Wang
 6,021,960 A 2/2000 Kehat
 6,098,899 A 8/2000 Rosenberg
 6,113,002 A 9/2000 Finkbeiner
 D440,637 S 4/2001 Lefroy-Brooks
 D441,060 S 4/2001 Lefroy-Brooks
 6,250,572 B1 6/2001 Chen
 D450,814 S 11/2001 Aldred et al.
 6,382,531 B1 5/2002 Tracy
 D461,545 S 8/2002 Nishio
 D469,157 S 1/2003 Lobermeier
 D480,454 S 10/2003 Filer
 6,641,057 B2 11/2003 Thomas et al.
 6,739,527 B1 5/2004 Chung
 6,776,357 B1 8/2004 Naito
 D510,126 S 9/2005 Ouyoung
 D510,409 S 10/2005 Xiang et al.
 6,951,227 B1 10/2005 Su
 D511,370 S 11/2005 Kennard
 D517,167 S * 3/2006 Kulig D23/238
 D517,647 S 3/2006 Kulig
 D518,871 S 4/2006 Gillette et al.
 D520,119 S 5/2006 Kulig
 7,111,798 B2 9/2006 Thomas et al.
 7,178,746 B2 2/2007 Gross
 7,246,760 B2 7/2007 Marty et al.
 D559,956 S 1/2008 Heck et al.
 7,347,388 B2 3/2008 Chung
 7,364,097 B2 4/2008 Okuma
 D572,796 S 7/2008 Genord et al.
 D576,707 S 9/2008 Schonherr et al.
 D577,104 S * 9/2008 Latorraca D23/238
 D579,518 S 10/2008 Shieh
 D584,383 S 1/2009 Eilmus
 D589,592 S 3/2009 Genord et al.
 D591,398 S 4/2009 Lammel et al.
 D591,407 S 4/2009 Youssef et al.
 7,537,175 B2 5/2009 Miura et al.
 D603,941 S 11/2009 Leelaprachakul
 D605,935 S 12/2009 Zeyfang
 7,721,979 B2 5/2010 Mazzola
 D619,206 S 7/2010 Jian et al.
 D620,080 S 7/2010 Jian et al.
 D620,557 S 7/2010 Eilmus
 7,761,937 B2 7/2010 Foutz et al.
 D635,647 S 4/2011 Montgomery et al.
 D636,849 S 4/2011 Yoo et al.
 D646,760 S 10/2011 Slothower et al.
 D651,288 S 12/2011 Slothower et al.
 D652,115 S 1/2012 Wang et al.
 D653,731 S 2/2012 Bailey
 D667,078 S 9/2012 Rodney
 D676,112 S 2/2013 Wu
 D683,434 S 5/2013 Kwok

D684,666 S * 6/2013 Lord D23/238
 D694,366 S * 11/2013 Hahn et al. D23/238
 2003/0062426 A1 4/2003 Gregory et al.
 2005/0001072 A1 1/2005 Bolus et al.
 2005/0229989 A1 10/2005 Su
 2006/0163391 A1 7/2006 Schorn
 2007/0200013 A1 8/2007 Hsiao
 2007/0246577 A1 10/2007 Leber
 2007/0252021 A1 11/2007 Cristina
 2009/0127353 A1 5/2009 Meisner et al.
 2009/0200404 A1 8/2009 Cristina
 2009/0218420 A1 9/2009 Mazzola
 2010/0019067 A1 1/2010 Okuma
 2010/0038454 A1 2/2010 Shieh
 2010/0264238 A1 10/2010 Wang et al.

FOREIGN PATENT DOCUMENTS

CN 3246946 7/2002
 CN 3273368 1/2003
 CN 3287724 4/2003
 CN 3359629 3/2004
 CN 3392114 9/2004
 CN 3412378 12/2004
 CN 3417527 1/2005
 CN 3438645 4/2005
 CN 3479720 12/2005
 CN 3532760 5/2006
 CN 3655214 6/2007
 CN 3660729 6/2007
 CN 300831092 9/2008
 CN 300841714 10/2008
 CN 300879523 1/2009
 CN 300921263 5/2009
 CN 300986664 8/2009
 CN 301130553 2/2010
 CN 301149915 3/2010
 CN 301201926 S 5/2010
 CN 301285773 S 7/2010
 CN 30136724 S 8/2010
 CN 301301713 S 8/2010
 CN 301386209 S 11/2010
 EP 0 443 538 8/1991
 EP 0 484 308 5/1992
 EP 0 514 752 11/1992
 EP 0514 751 11/1992
 EP 0 591 877 4/1994
 EP 0 894 536 2/1999
 EP 0 986 678 3/2000
 EP 1 123 742 8/2001
 EP 1 243 707 9/2002
 EP 1 290 967 3/2003
 EP 1 308 565 5/2003
 EP 1 405 955 4/2004
 EP 1 707 694 10/2006
 EP 2 095 878 9/2009
 EP 2 223 676 9/2010
 EP 2 226 054 9/2010
 JP D2007-24180 7/2008
 KR 30-2005-0021227 4/2006
 WO WODM/055700 5/2001
 WO WO 01/54822 8/2001
 WO WODM/059898 6/2002
 WO WODM/064149 9/2003
 WO WODM/064435 11/2003
 WO WODM/067103 2/2006
 WO WO 2007/120422 10/2007
 WO WO 2009/058208 5/2009
 WO WO 2010/036241 4/2010

OTHER PUBLICATIONS

Notice of Allowance dated Dec. 18, 2013 in related Design U.S. Appl. No. 29/462,630.
 Notice of Allowance dated Dec. 18, 2013 in related Design U.S. Appl. No. 29/472,167.

* cited by examiner

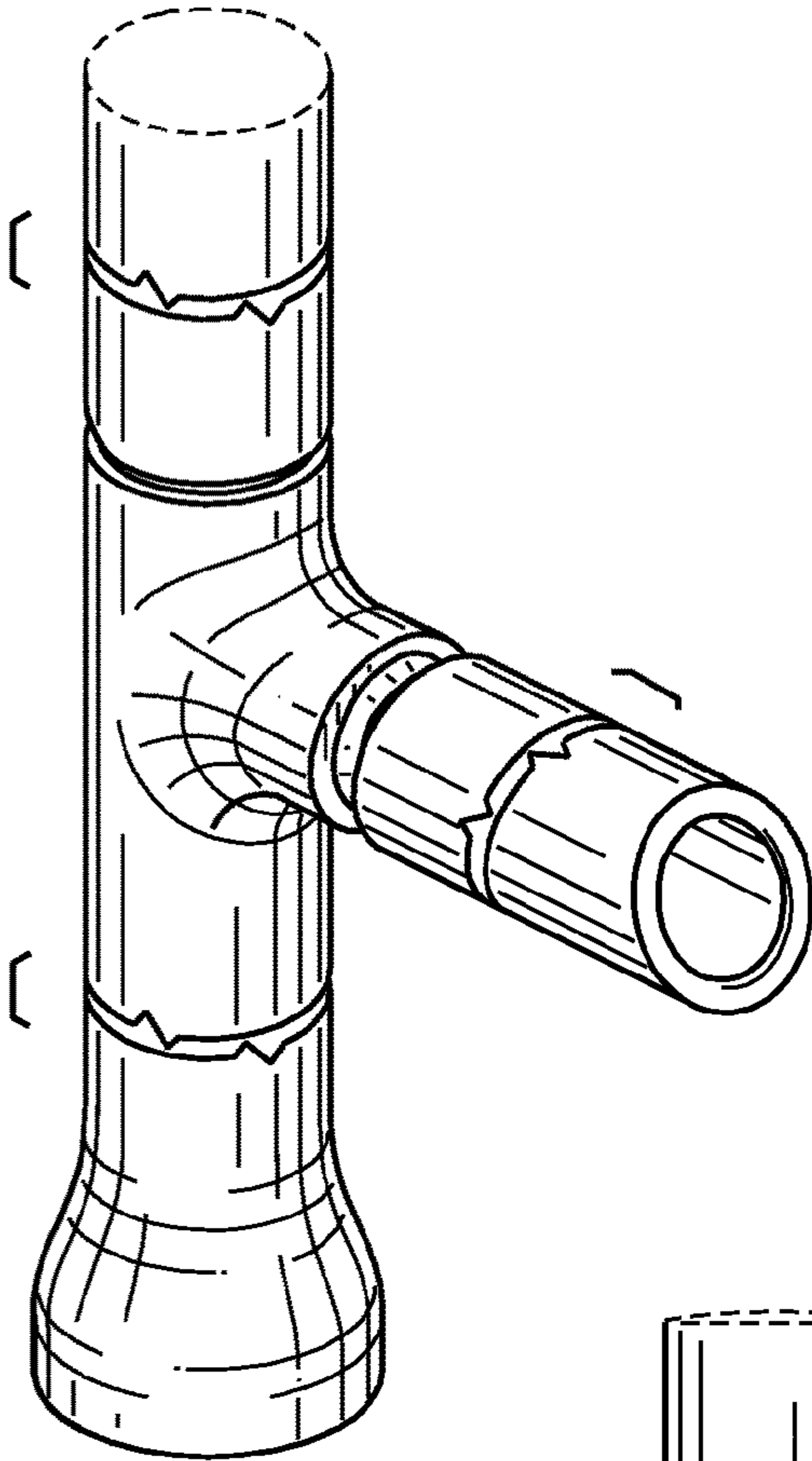


FIG. 1

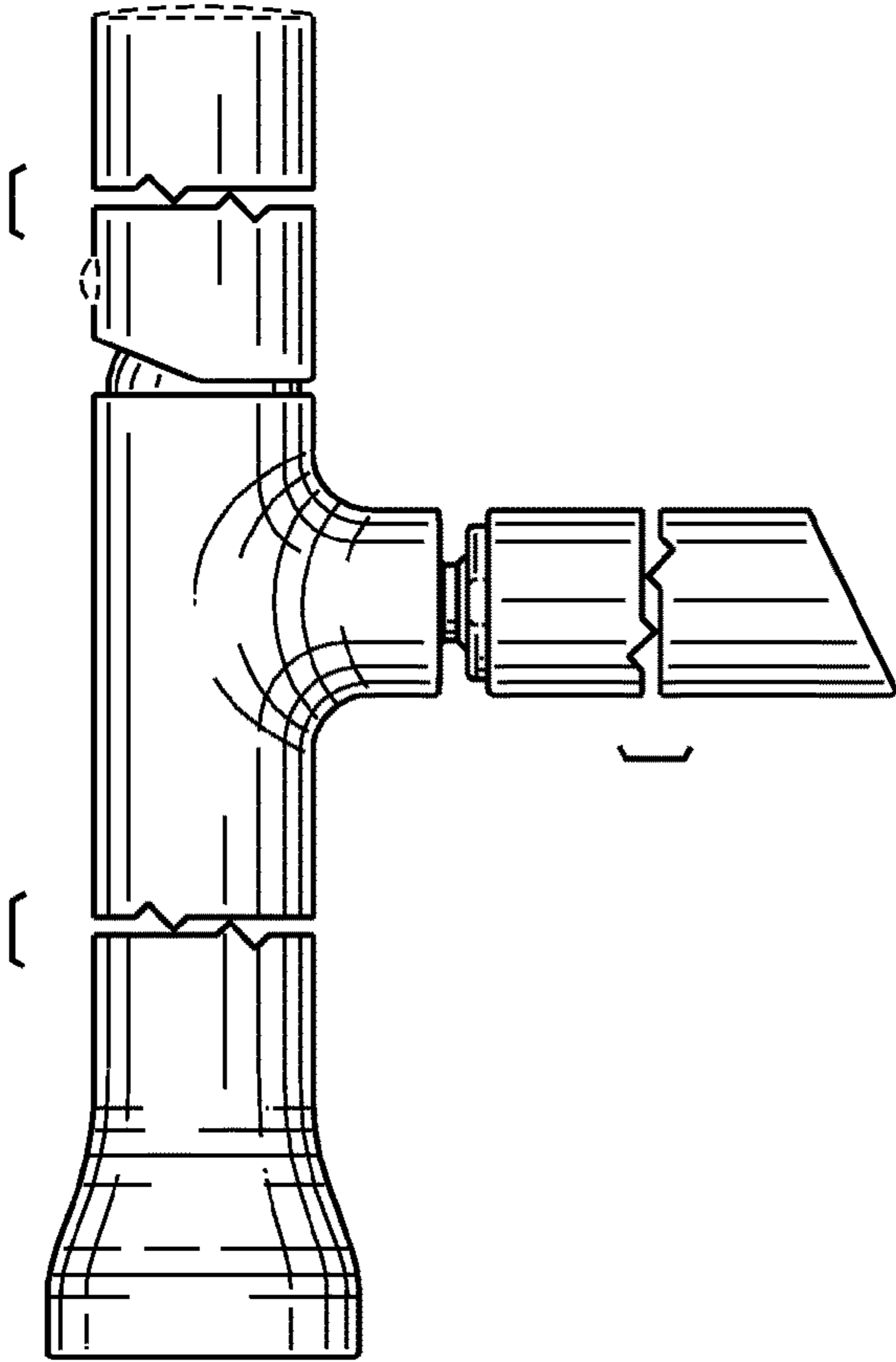


FIG. 2

FIG. 3

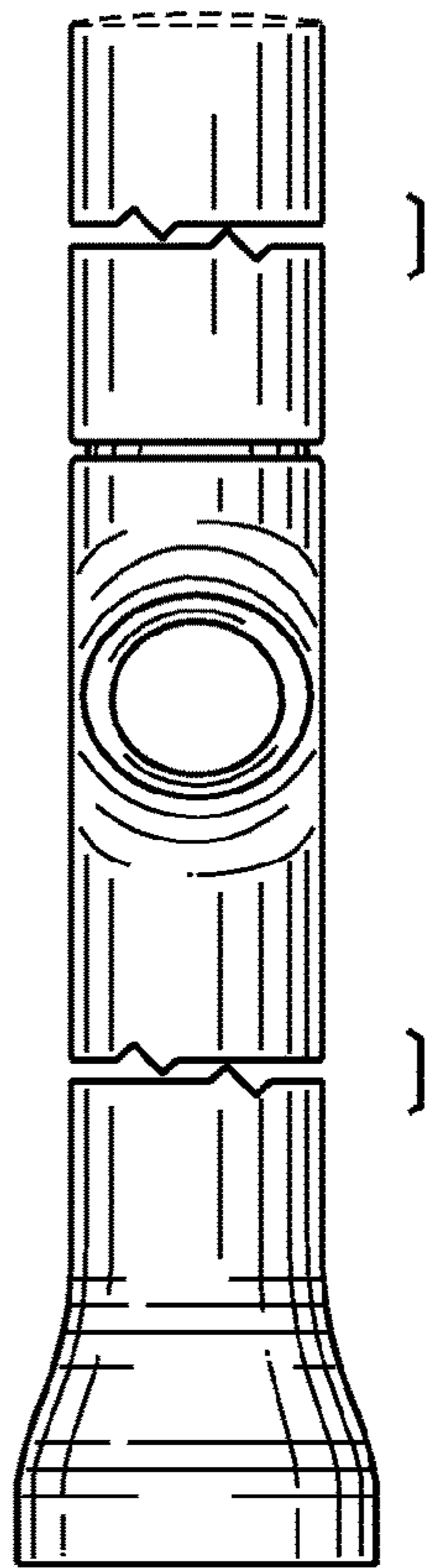


FIG. 4

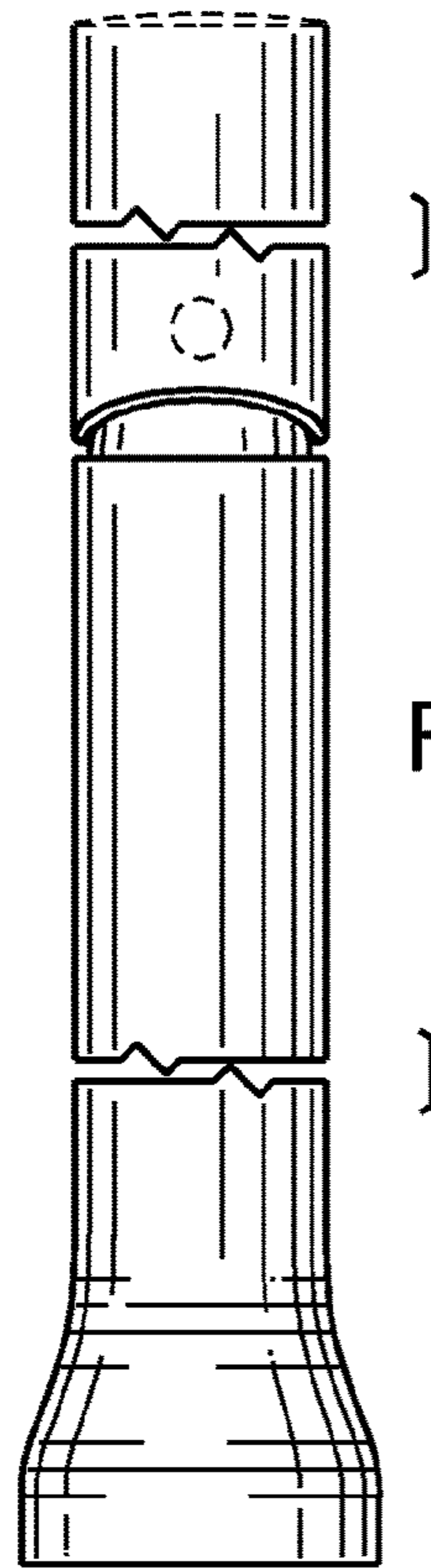


FIG. 5

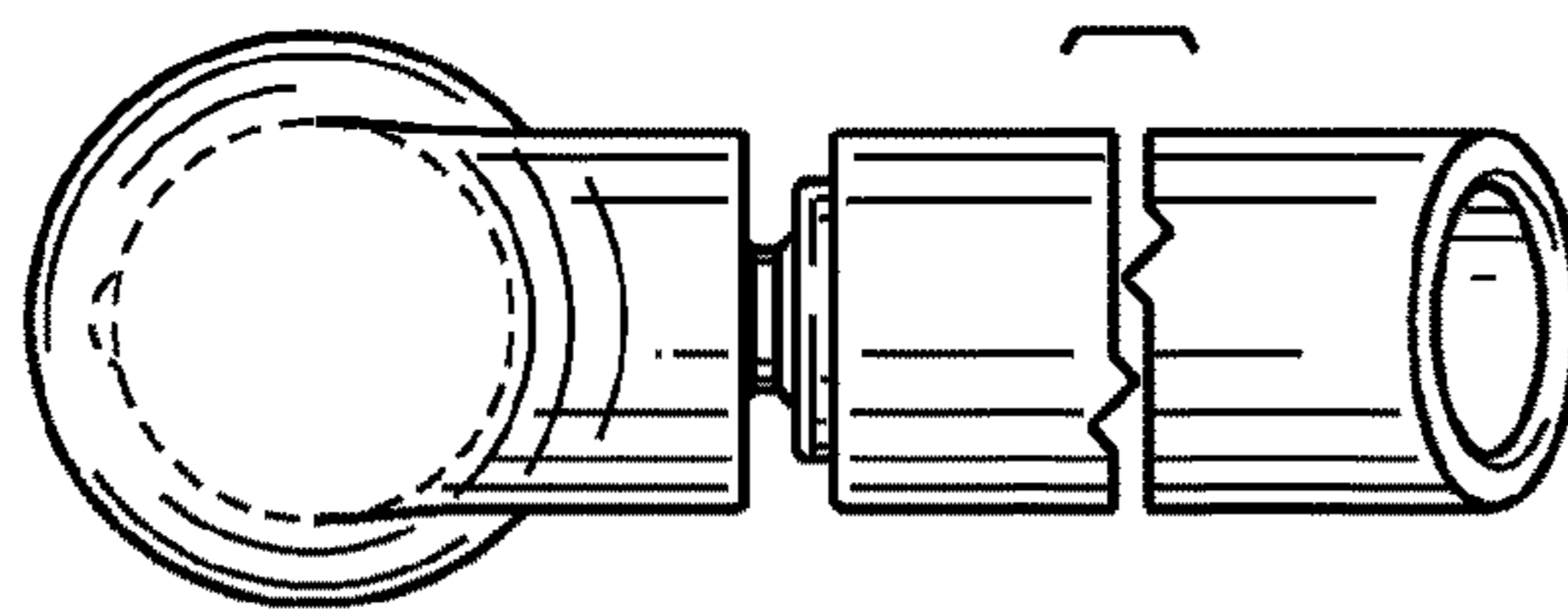


FIG. 6

