



US00D704798S

(12) **United States Design Patent**
Ehm et al.

(10) **Patent No.:** **US D704,798 S**

(45) **Date of Patent:** **** May 13, 2014**

(54) **FLOW-THROUGH APPLICATOR**

(71) Applicant: **Sulzer Mixpac AG**, Haag (CH)

(72) Inventors: **Alexander Ehm**, Haag (CH); **Eduardo Manuel Duarte Rodrigues**, Dietenhofen (DE); **Valentin Huber**, Buchs (CH)

(73) Assignee: **Sulzer Mixpac AG**, Haag (CH)

(**) Term: **14 Years**

(21) Appl. No.: **29/445,249**

(22) Filed: **Feb. 8, 2013**

(30) **Foreign Application Priority Data**

Sep. 12, 2012 (CH) 139 238

(51) **LOC (10) Cl.** **23-01**

(52) **U.S. Cl.**
USPC **D23/213**

(58) **Field of Classification Search**
USPC D23/213; 239/88, 89, 584; 401/266
See application file for complete search history.

(56) **References Cited**

U.S. PATENT DOCUMENTS

7,309,184	B2 *	12/2007	Butcher et al.	401/172
7,476,048	B2 *	1/2009	Prague	401/262
D644,714	S *	9/2011	Mauchle et al.	D23/213
8,123,423	B2 *	2/2012	Houde et al.	401/205
D693,901	S *	11/2013	Zwaan	D23/213

* cited by examiner

Primary Examiner — Robin V Webster

(74) *Attorney, Agent, or Firm* — K&L Gates LLP

(57) **CLAIM**

The ornamental design for a flow-through applicator, as shown and described herein.

DESCRIPTION

FIG. 1 illustrates a side view of the flow-through applicator showing our new design;
FIG. 2 illustrates a side view thereof;
FIG. 3 illustrates top view thereof;
FIG. 4 illustrates a bottom view thereof;
FIG. 5 illustrates a rear view thereof;
FIG. 6 illustrates a front view thereof;
FIG. 7 illustrates a perspective view thereof; and,
FIG. 8 illustrates a perspective view thereof.
The broken line showing in FIG. 8 is included for the purpose of illustrating and forms no part of the claimed design.

1 Claim, 8 Drawing Sheets

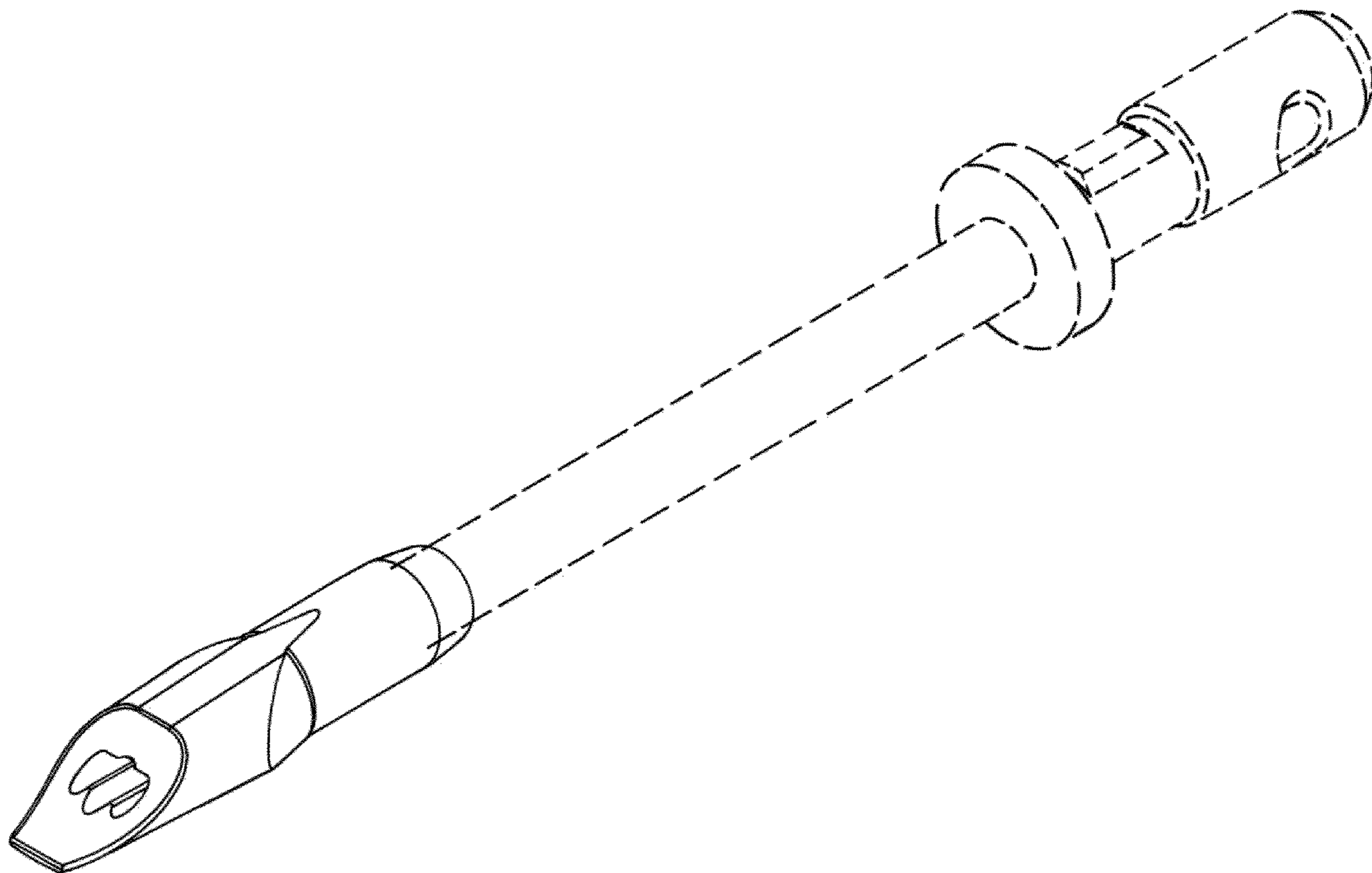


Figure 1

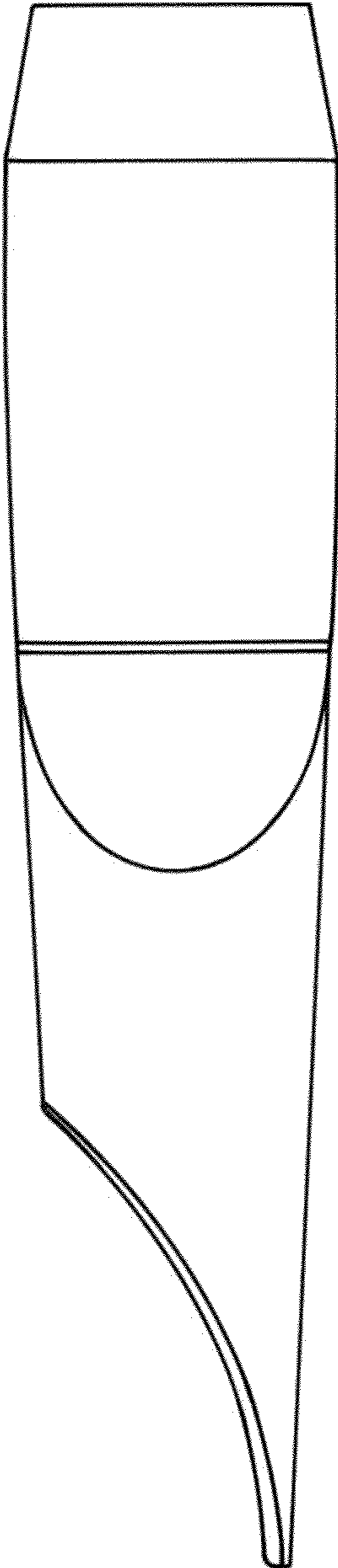


Figure 2

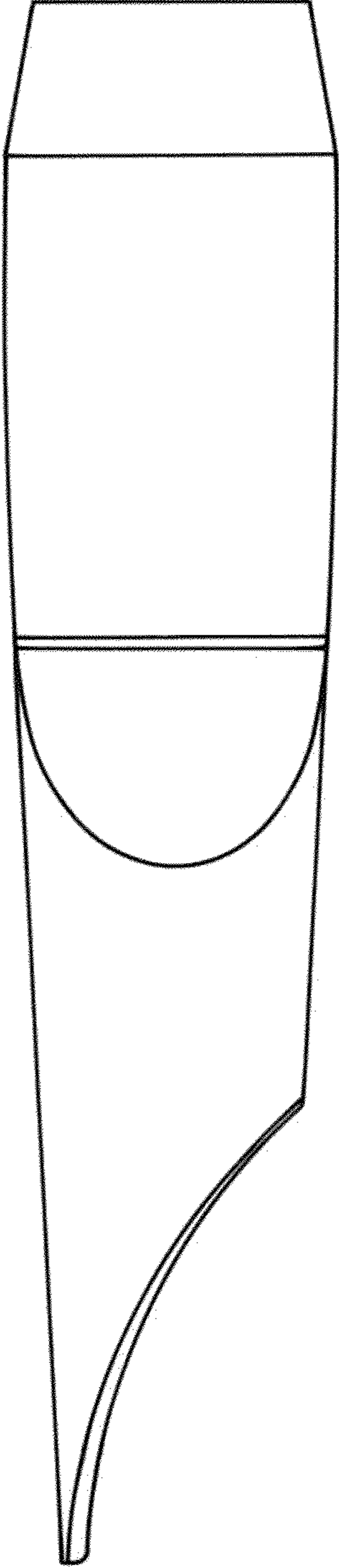


Figure 3

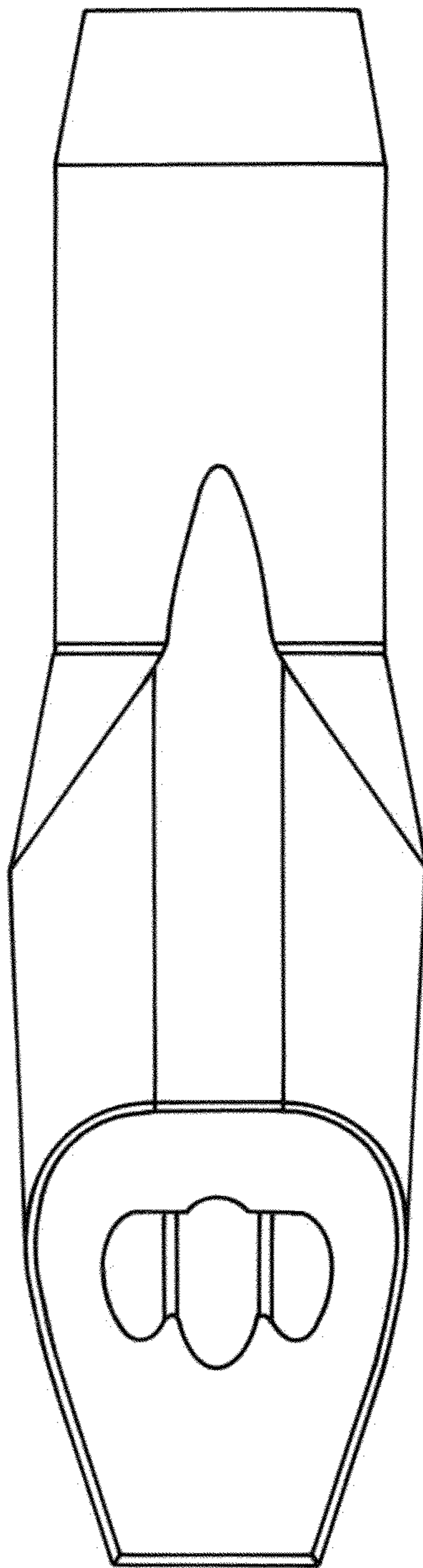


Figure 4

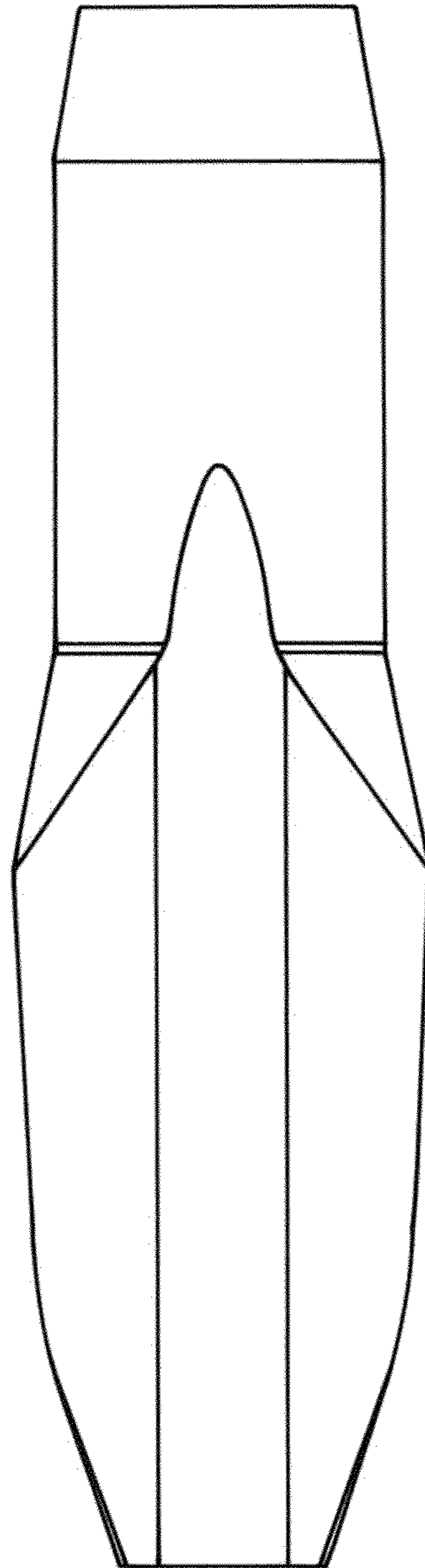


Figure 5

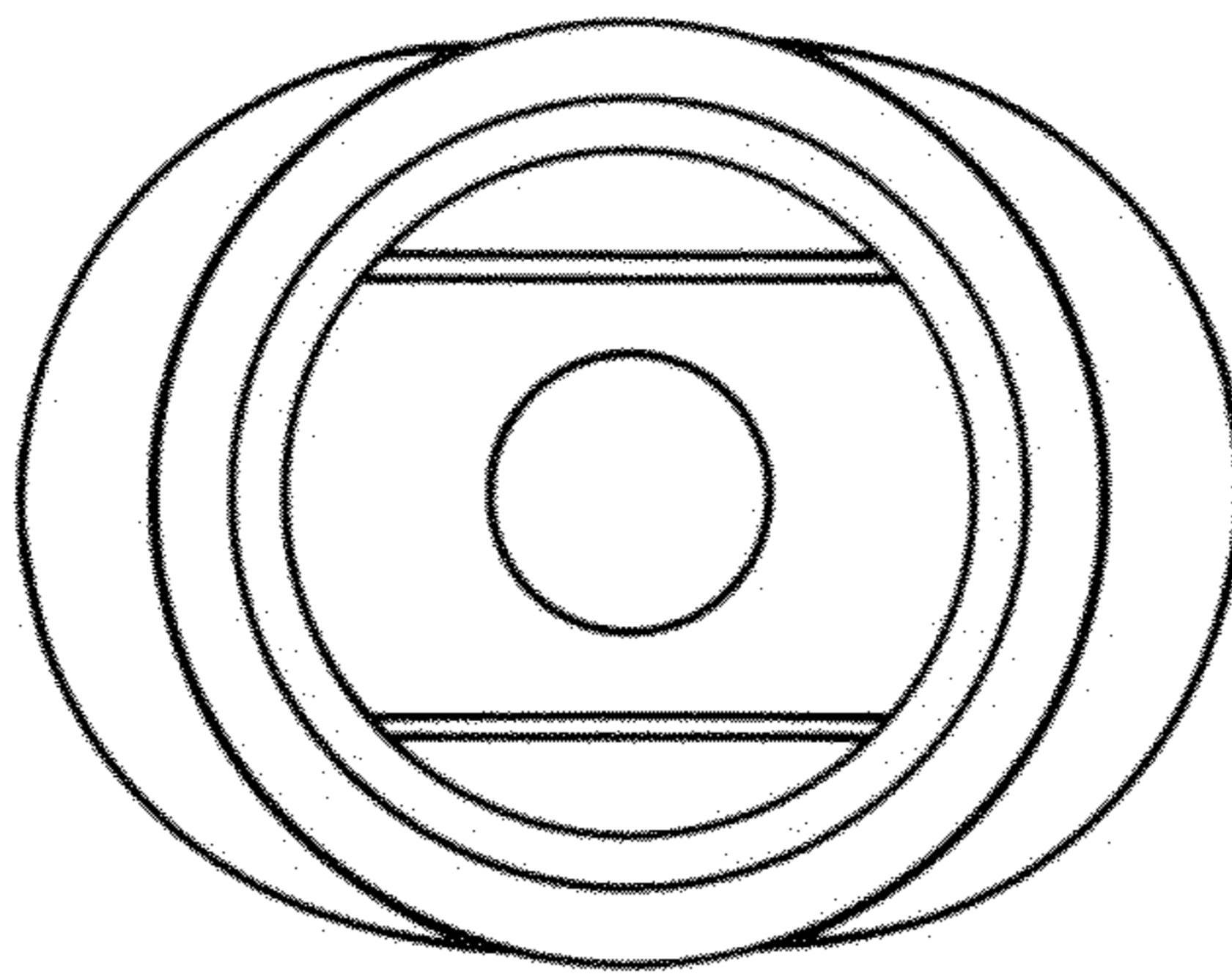
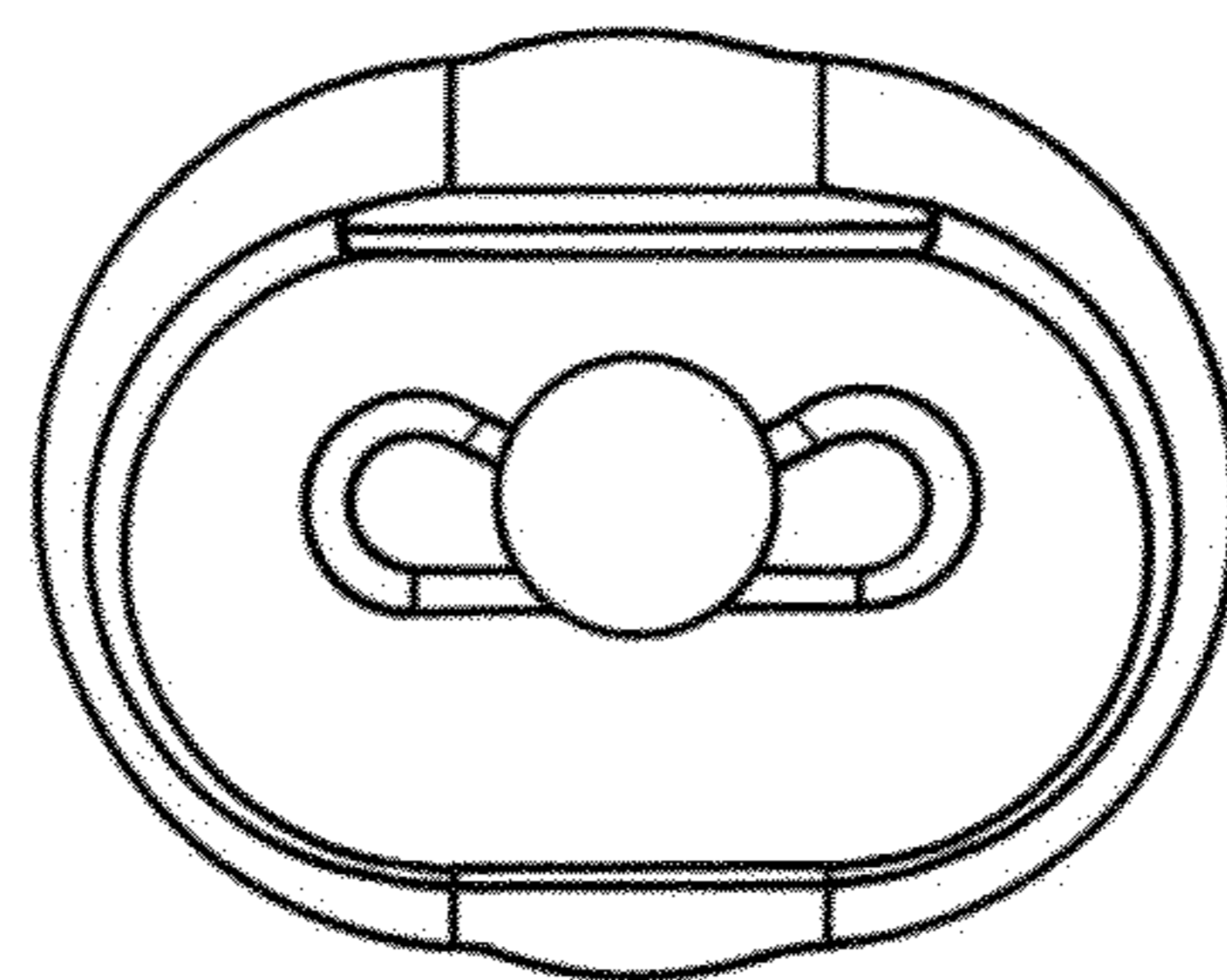


Figure 6



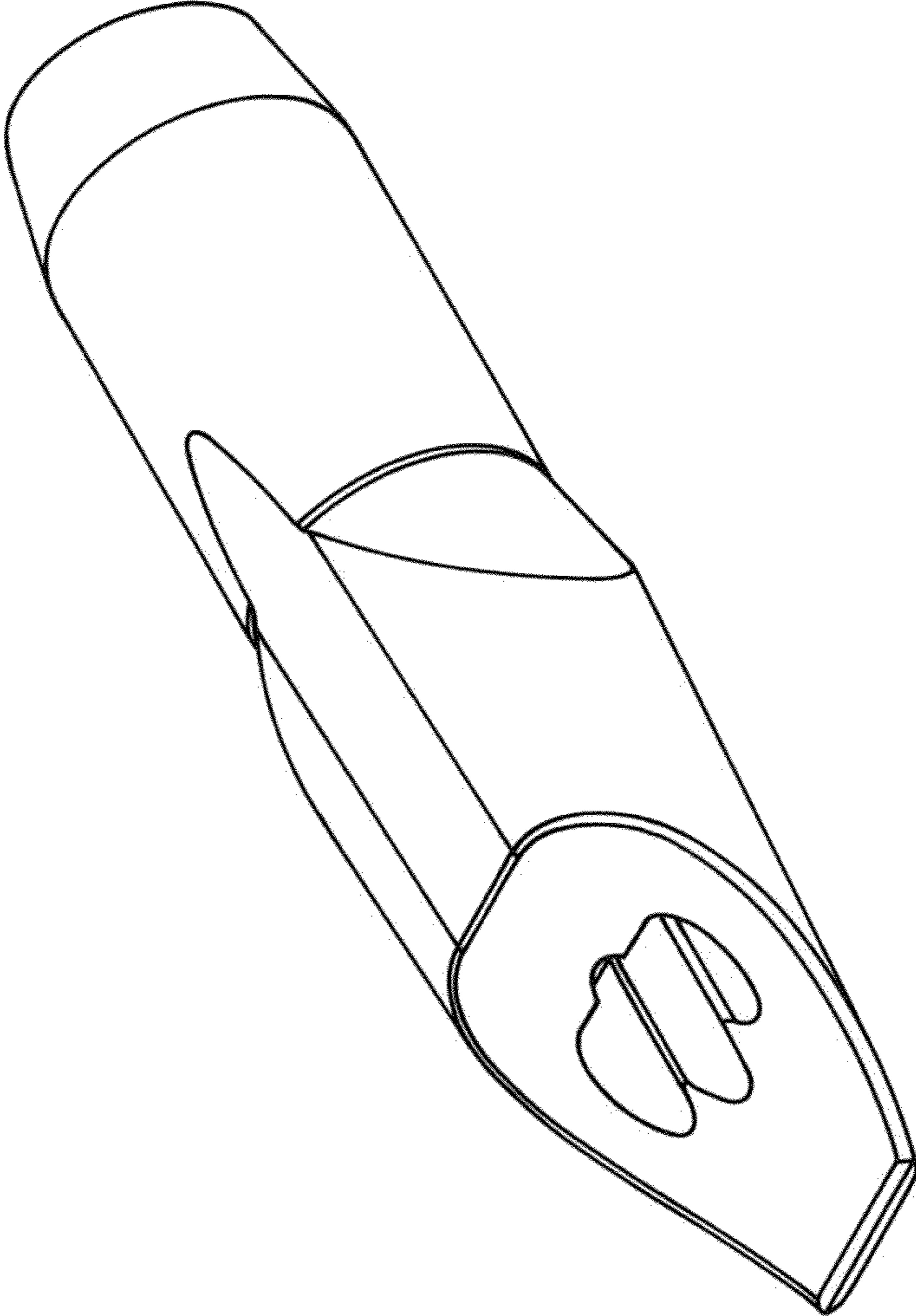


Figure 7

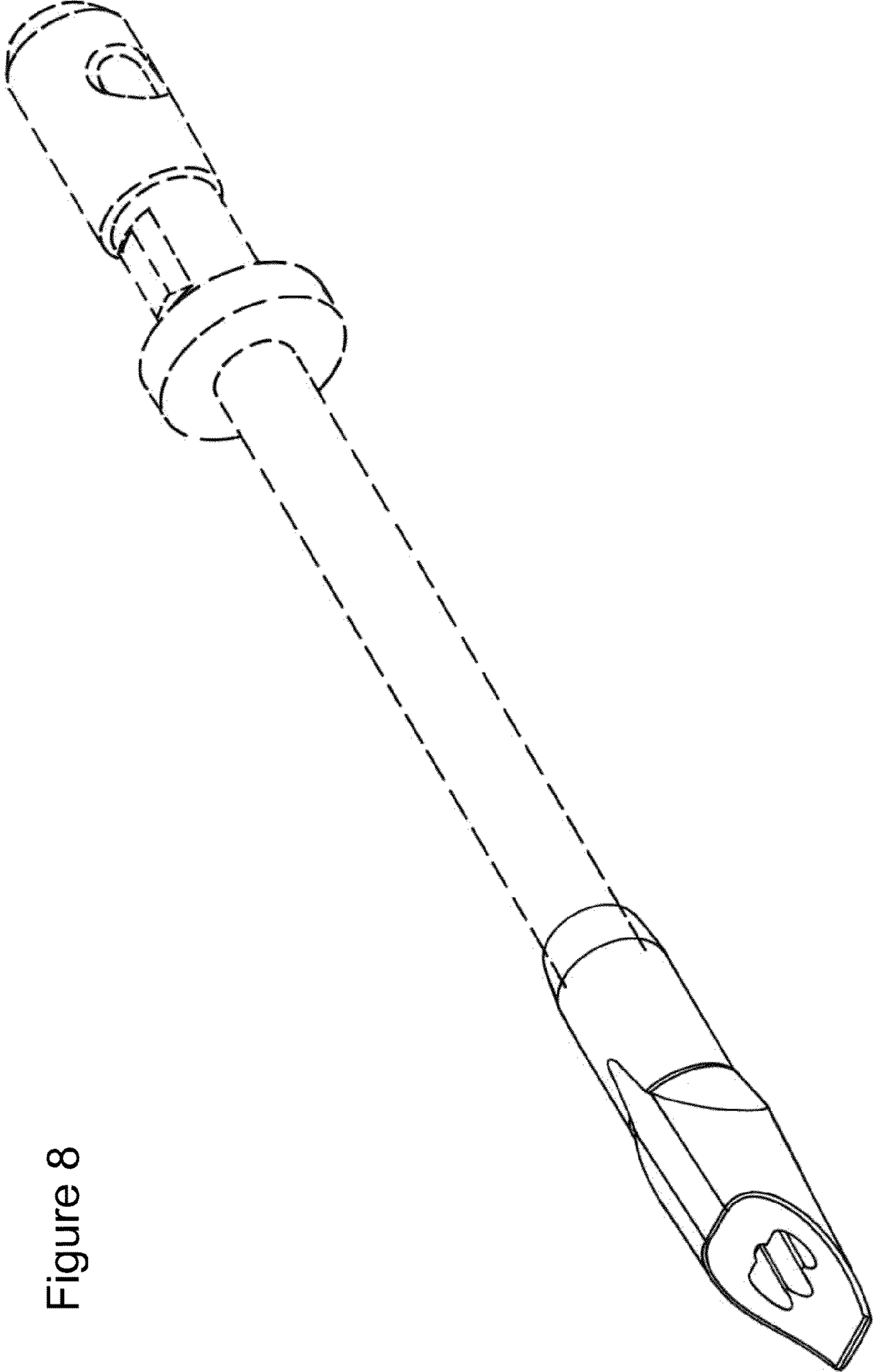


Figure 8