



US00D704796S

(12) **United States Design Patent**
LaFlamme

(10) **Patent No.:** **US D704,796 S**

(45) **Date of Patent:** **** May 13, 2014**

(54) **BAIT KEEPER**

(71) Applicant: **Stephan LaFlamme**, Morrison, CO
(US)

(72) Inventor: **Stephan LaFlamme**, Morrison, CO
(US)

(73) Assignee: **Wright & McGill Co.**, Denver, CO (US)

(**) Term: **14 Years**

(21) Appl. No.: **29/458,753**

(22) Filed: **Jun. 21, 2013**

(51) **LOC (10) Cl.** **22-05**

(52) **U.S. Cl.**
USPC **D22/144**

(58) **Field of Classification Search**
USPC D22/134, 144-146, 149, 199; 43/42.48,
43/42.31, 42.28, 44.8, 42.37, 57.1, 25.2
See application file for complete search history.

(56) **References Cited**

U.S. PATENT DOCUMENTS

D153,366	S	*	4/1949	Kocarek	D22/149
2,993,293	A	*	7/1961	Blout	43/57.1
4,418,490	A	*	12/1983	Ancona	43/25.2
D320,060	S	*	9/1991	Austin	D22/144

D331,788	S	*	12/1992	Jensen	D22/126
D384,725	S	*	10/1997	Drury, Jr.	D22/126
6,240,672	B1		6/2001	Huppert		
6,405,477	B1		6/2002	Huppert		
7,140,146	B2		11/2006	Gill		

OTHER PUBLICATIONS

U.S. Appl. No. 29/458,755, filed Jun. 21, 2013, Gray.

* cited by examiner

Primary Examiner — Catheri Oliver-Garcia

(74) *Attorney, Agent, or Firm* — Sheridan Ross P.C.

(57) **CLAIM**

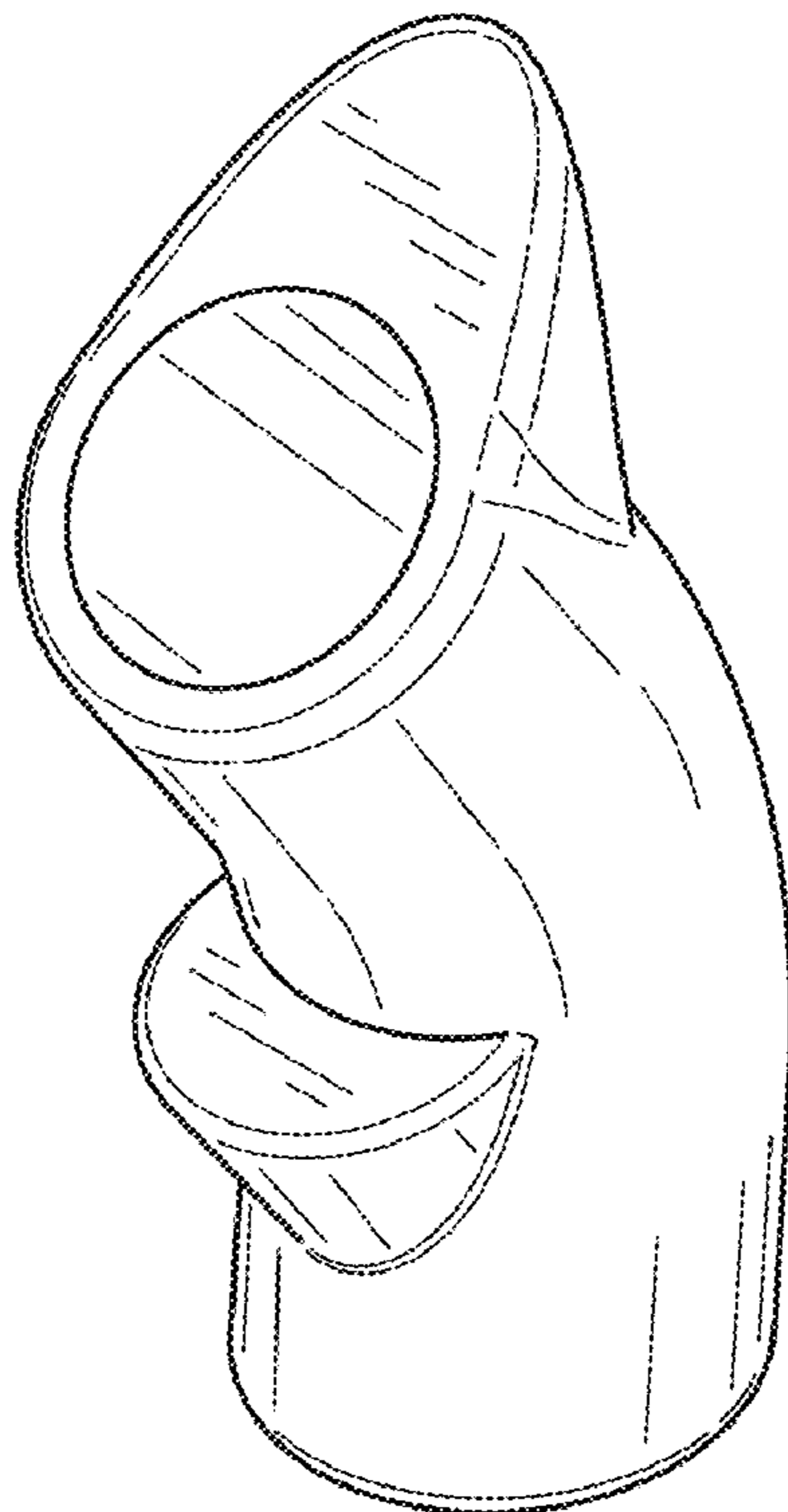
The ornamental design for a bait keeper, as shown and described.

DESCRIPTION

FIG. 1 is a left elevation view of a bait keeper;
 FIG. 2 is a front perspective view thereof;
 FIG. 3 is a top plan view thereof;
 FIG. 4 is a left elevation view thereof;
 FIG. 5 is a rear elevation view thereof;
 FIG. 6 is front elevation view thereof;
 FIG. 7 is a right elevation view thereof; and,
 FIG. 8 is a bottom plan view of thereof.

The broken lines in the drawings are provided for the purpose of illustrating environment and form no part of the claimed design.

1 Claim, 3 Drawing Sheets



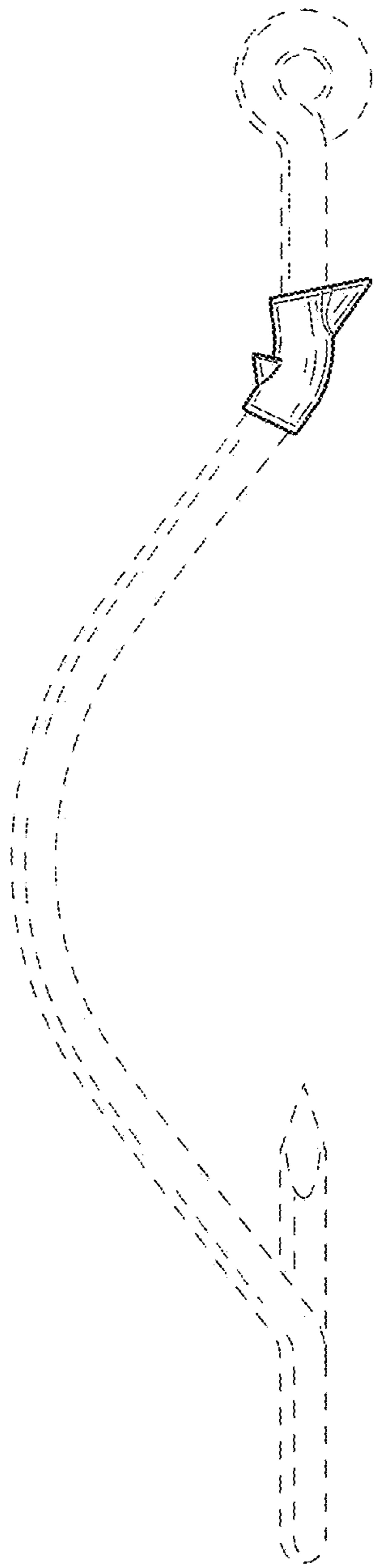


FIG. 1

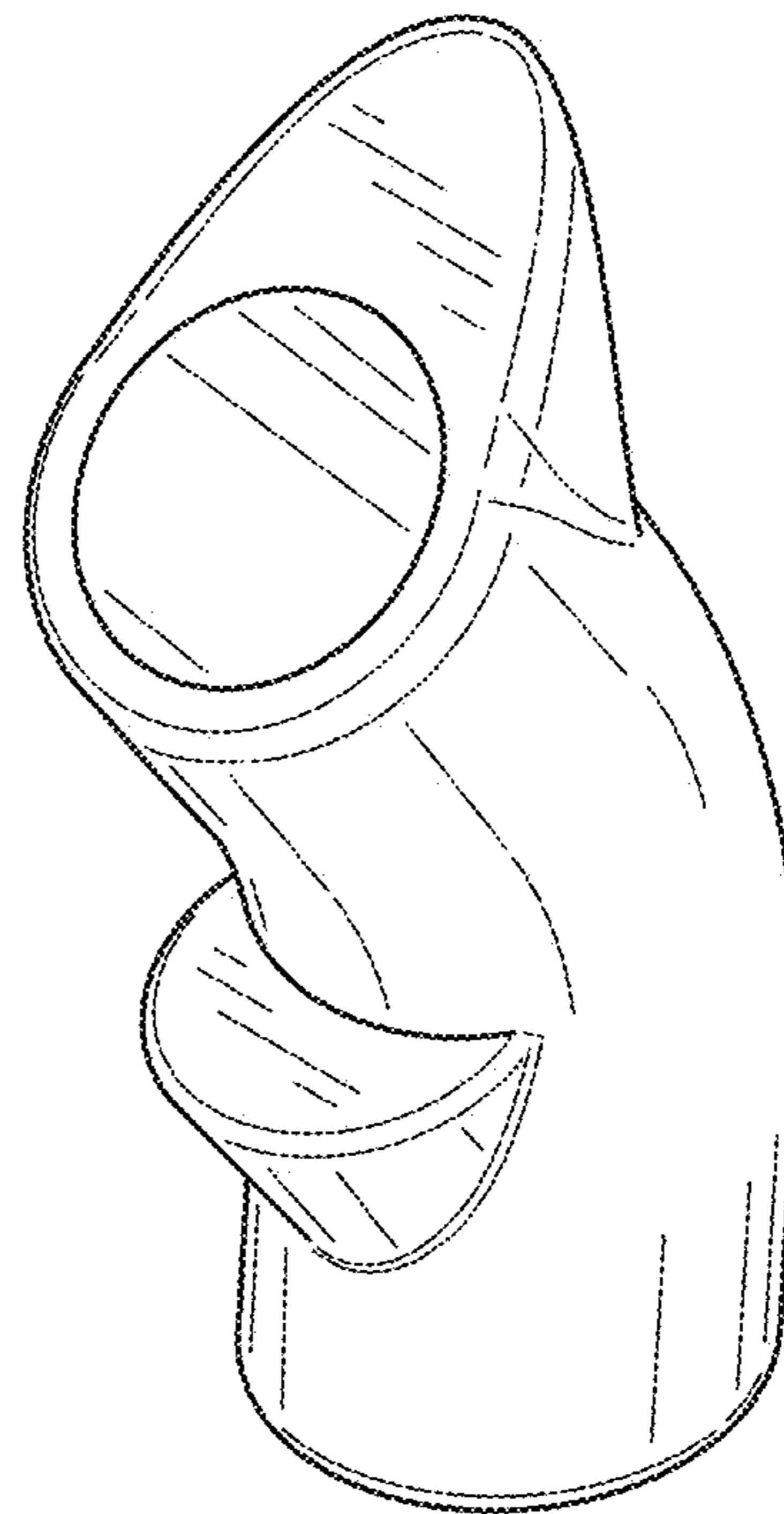


FIG. 2

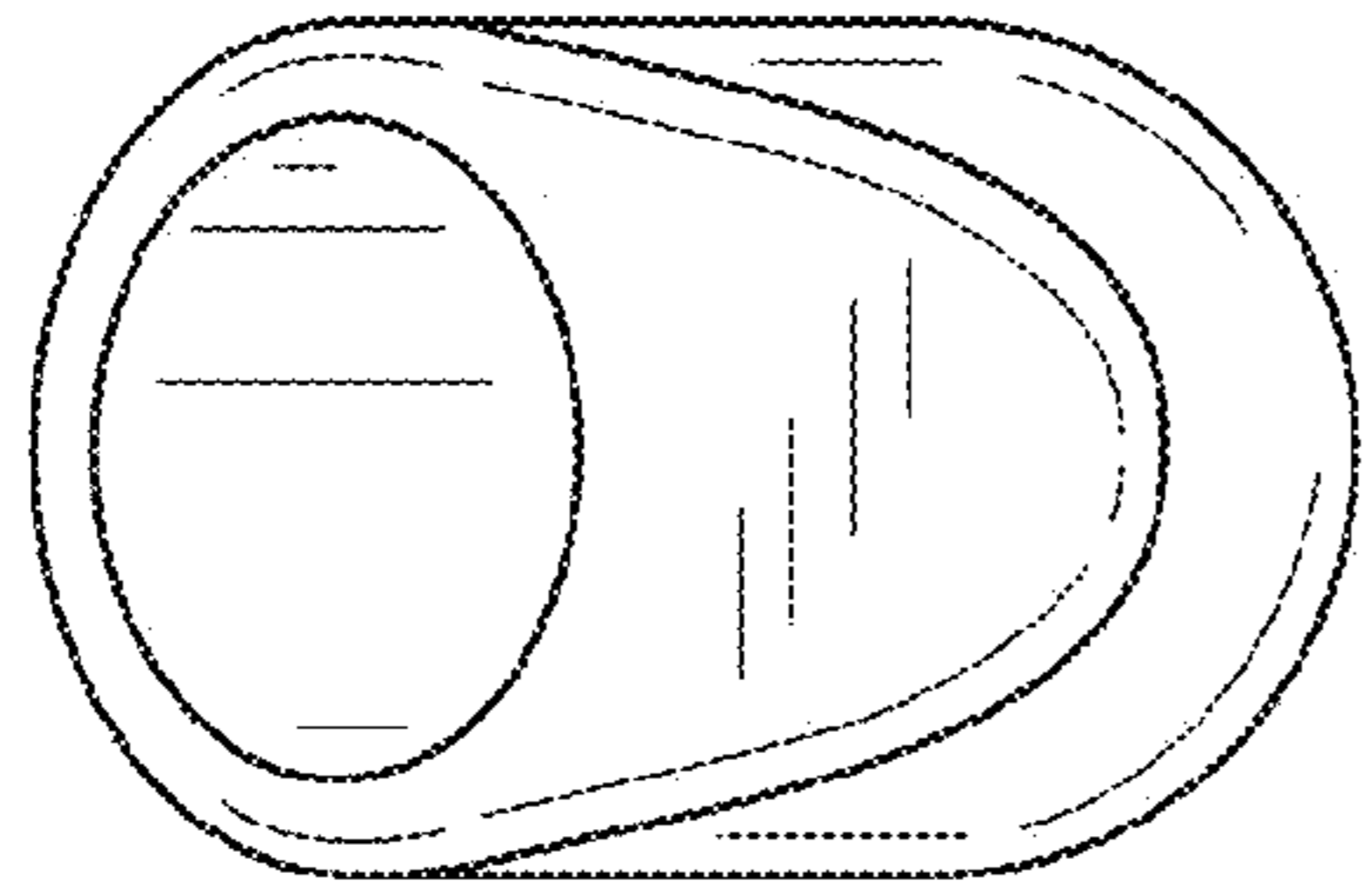


FIG. 3

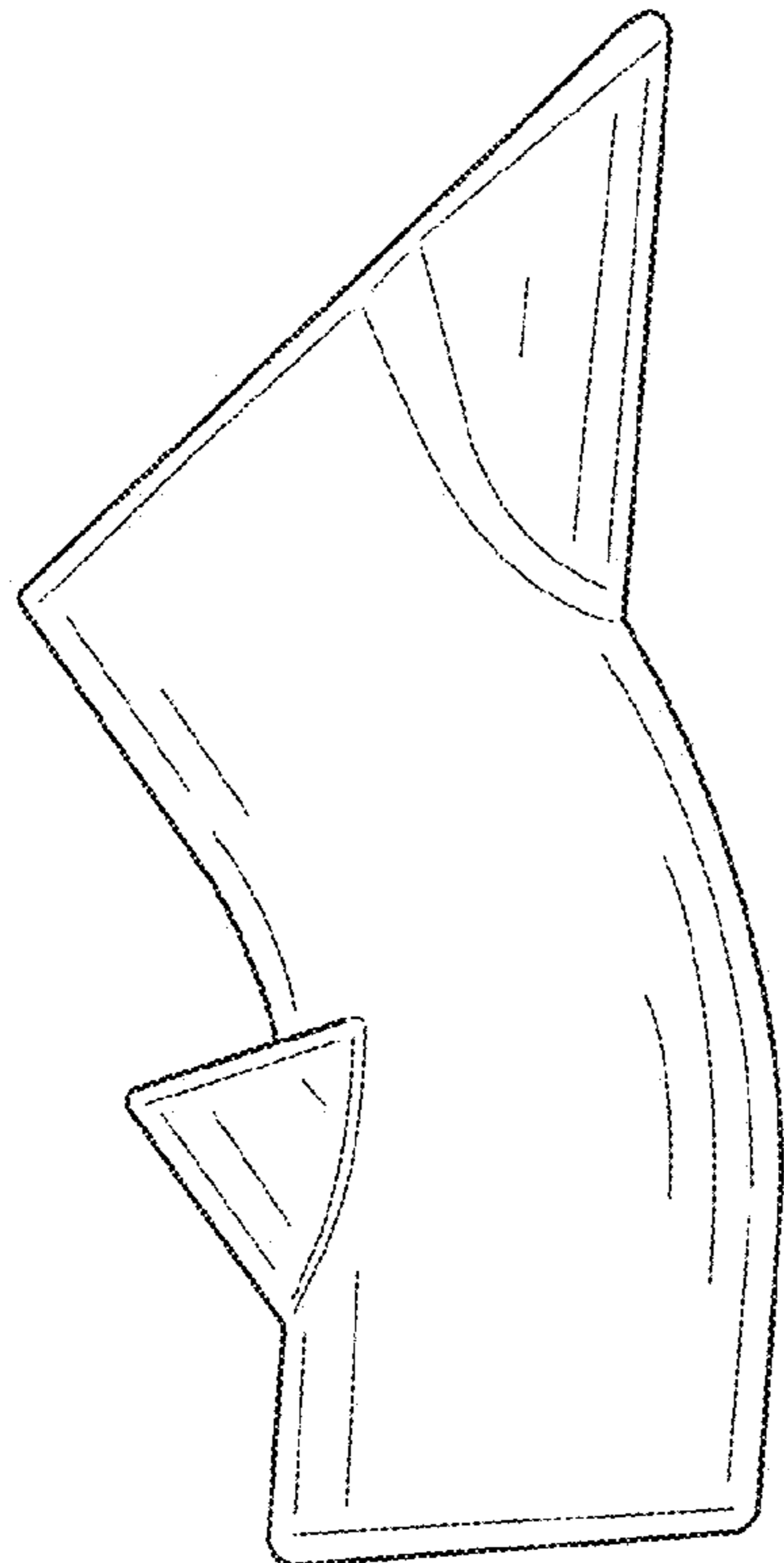


FIG. 4

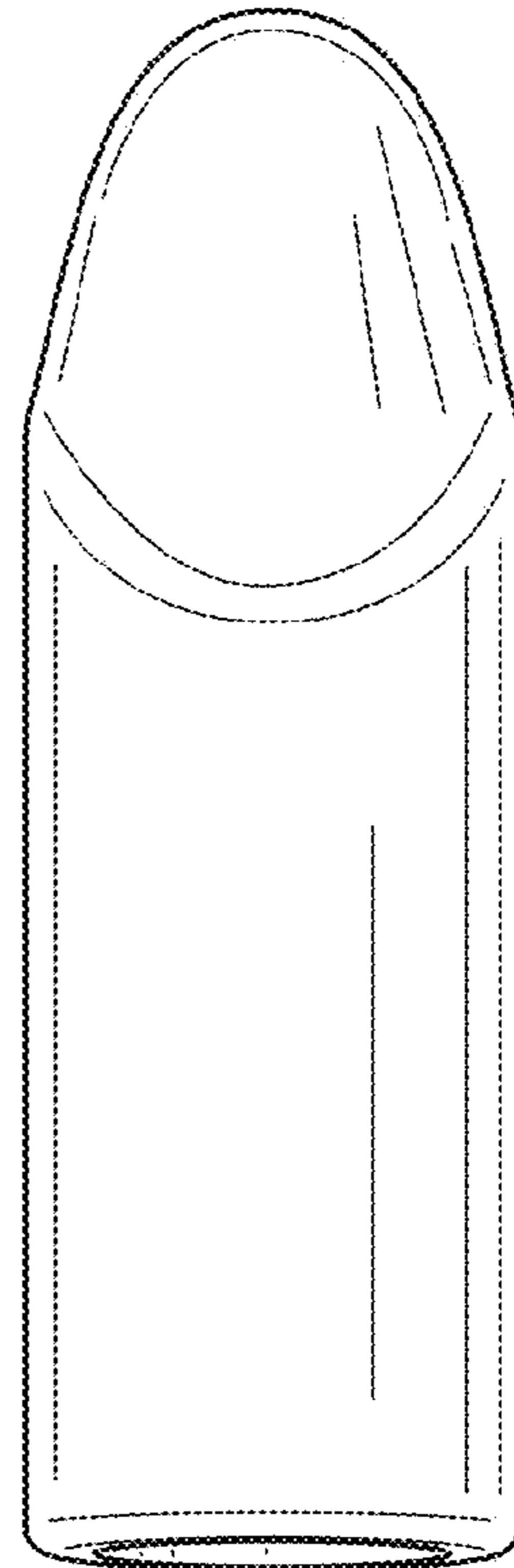


FIG. 5

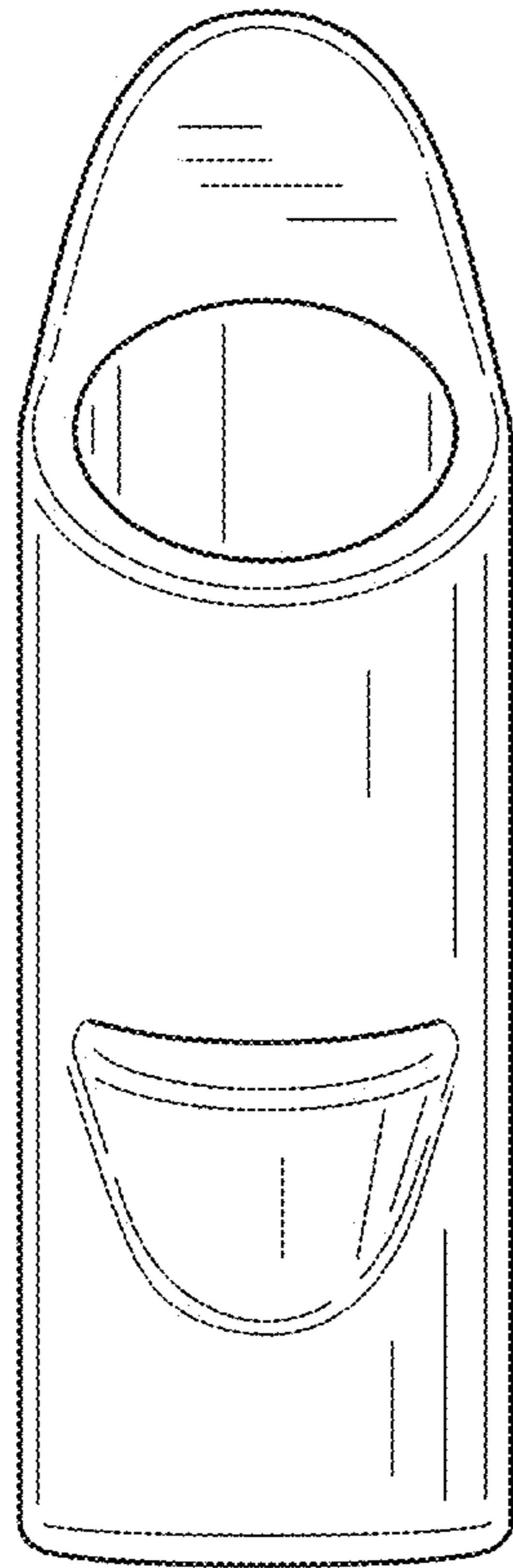


FIG. 6

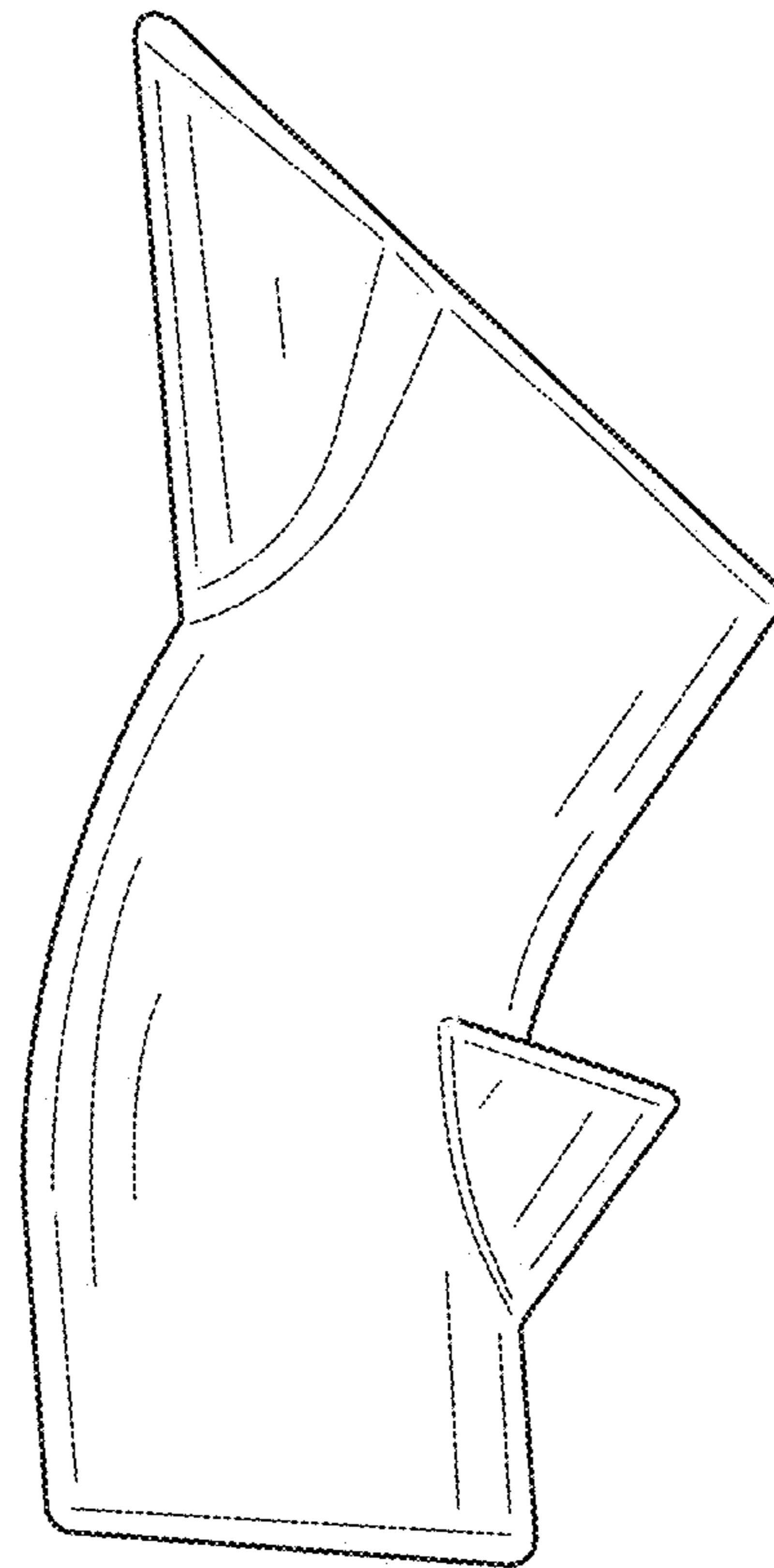


FIG. 7

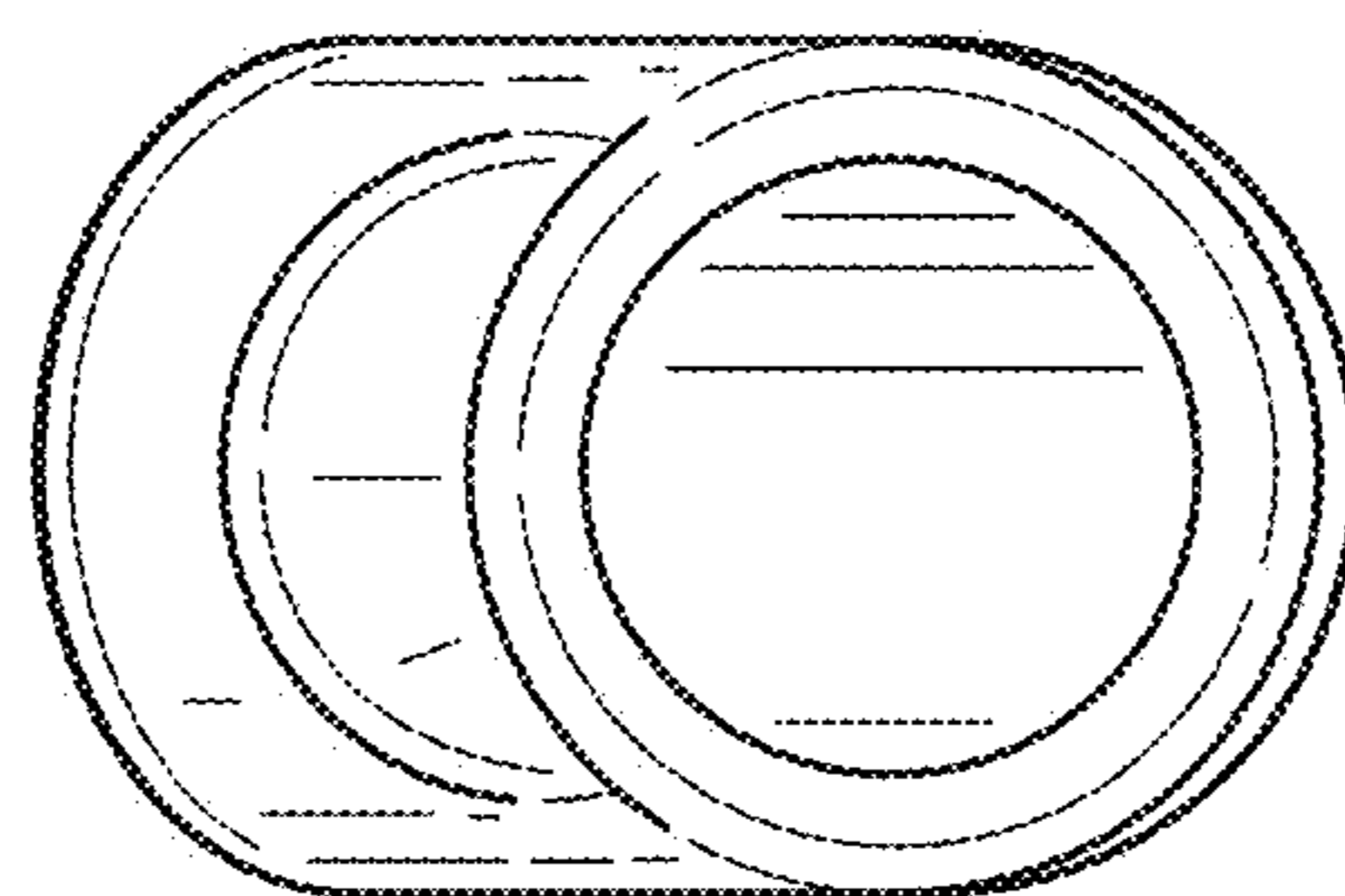


FIG. 8