



US00D704795S

(12) **United States Design Patent**  
**Patrick**

(10) **Patent No.:** **US D704,795 S**

(45) **Date of Patent:** **\*\* May 13, 2014**

(54) **FISHING LURE**

(71) Applicant: **Benjamin Neil Patrick**, Cottesloe (AU)

(72) Inventor: **Benjamin Neil Patrick**, Cottesloe (AU)

(73) Assignee: **Halco Pty Ltd**, Fremantly, Western  
Australia (AU)

(\*\*) Term: **14 Years**

(21) Appl. No.: **29/445,733**

(22) Filed: **Feb. 15, 2013**

(30) **Foreign Application Priority Data**

Aug. 17, 2012 (AU) ..... 14039/2012

(51) **LOC (10) Cl.** ..... **22-05**

(52) **U.S. Cl.**  
USPC ..... **D22/133**

(58) **Field of Classification Search**  
USPC ..... D22/126-133; 43/42.31, 42.33, 42.34,  
43/42.26, 42.45, 42.44, 42.48  
See application file for complete search history.

(56) **References Cited**

U.S. PATENT DOCUMENTS

D151,106 S *	9/1948	Vaughn .....	D22/131
3,528,189 A *	9/1970	Lilley, Jr. ....	D22/133
D367,101 S *	2/1996	Merolillo .....	D22/133
D435,629 S *	12/2000	Lummis .....	D22/133

\* cited by examiner

*Primary Examiner* — Catheri Oliver-Garcia

(74) *Attorney, Agent, or Firm* — Clark & Brody

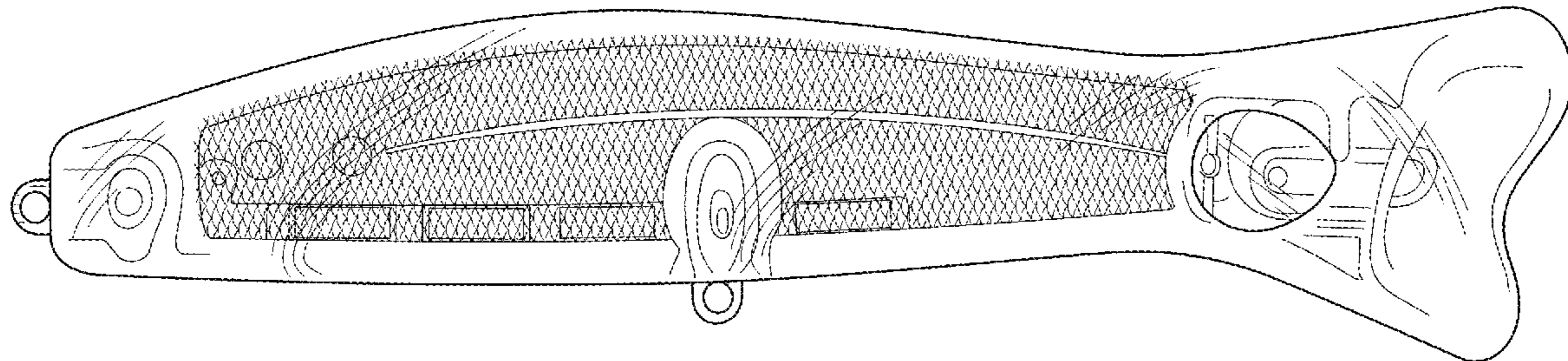
(57) **CLAIM**

The ornamental design for a fishing lure, as shown and described.

**DESCRIPTION**

FIG. 1 is a right side view of a fishing lure showing my new design;  
FIG. 2 is a front view thereof;  
FIG. 3 is a rear view thereof;  
FIG. 4 is a bottom view thereof;  
FIG. 5 is a top thereof; and,  
FIG. 6 is an upper perspective view thereof.

**1 Claim, 3 Drawing Sheets**



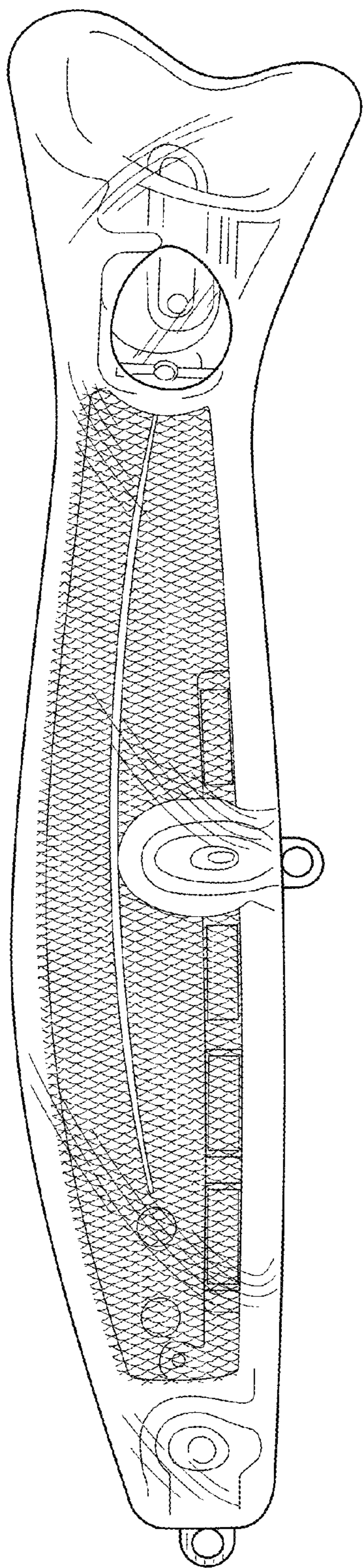


FIGURE 1

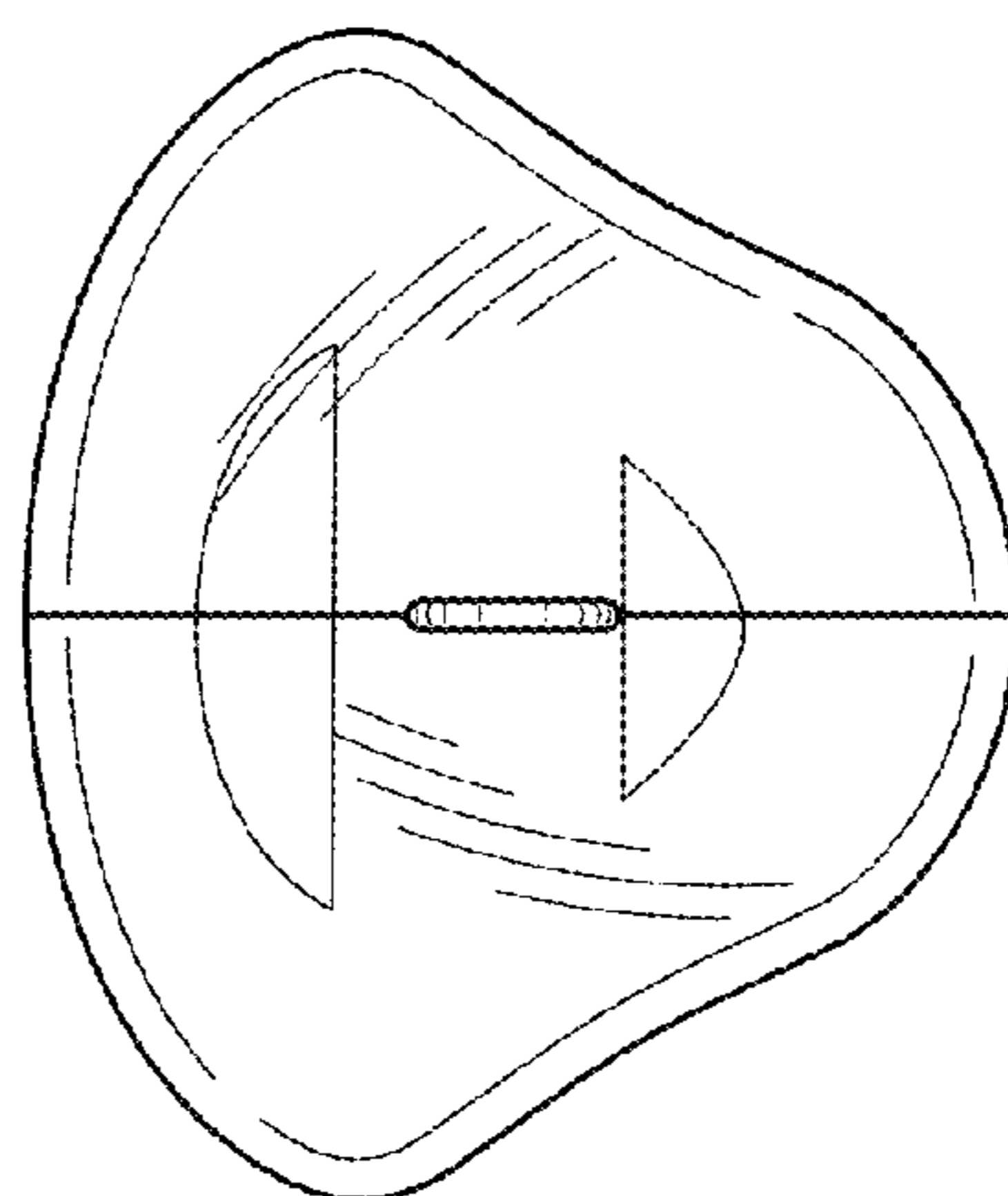


FIGURE 3

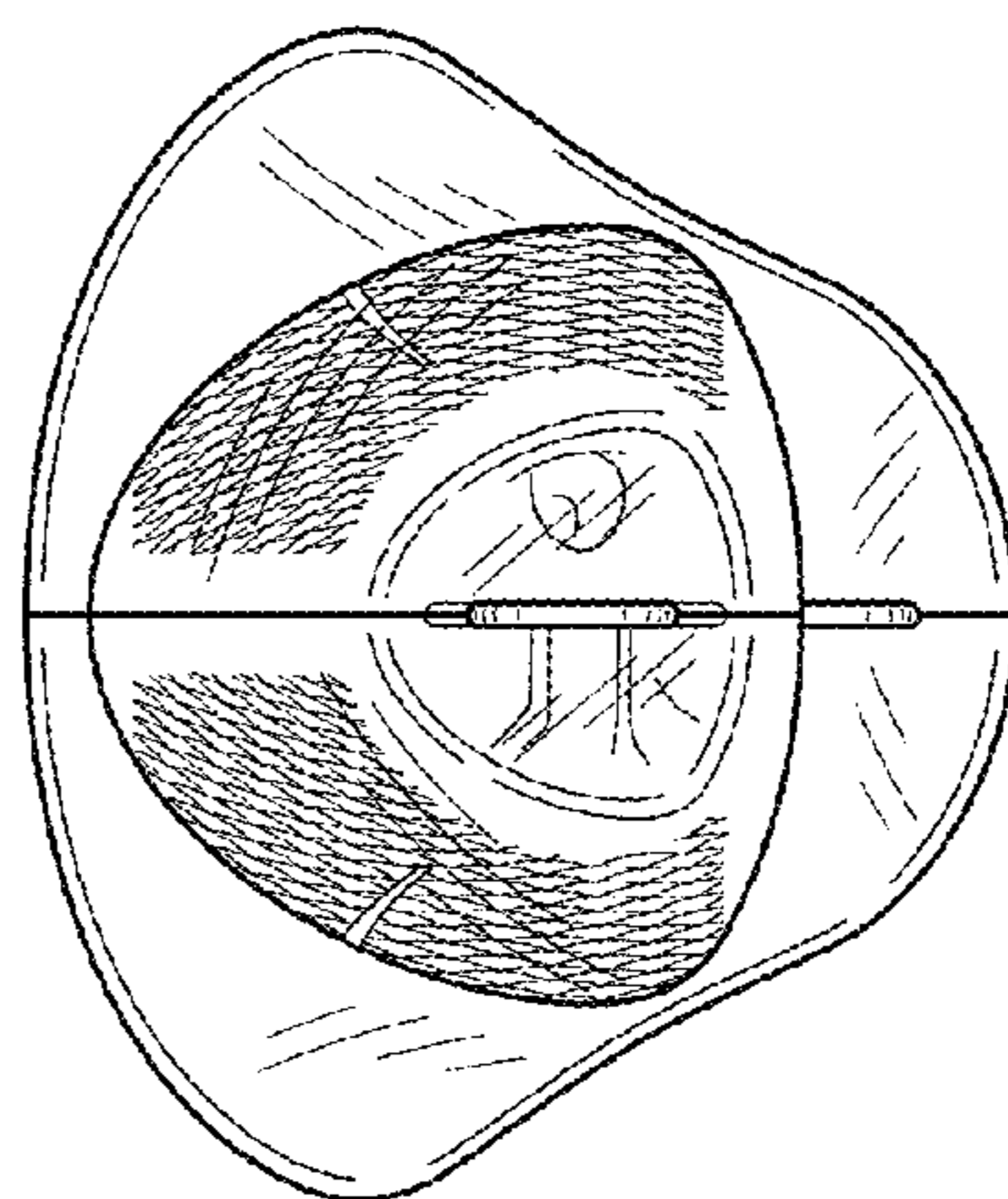


FIGURE 2

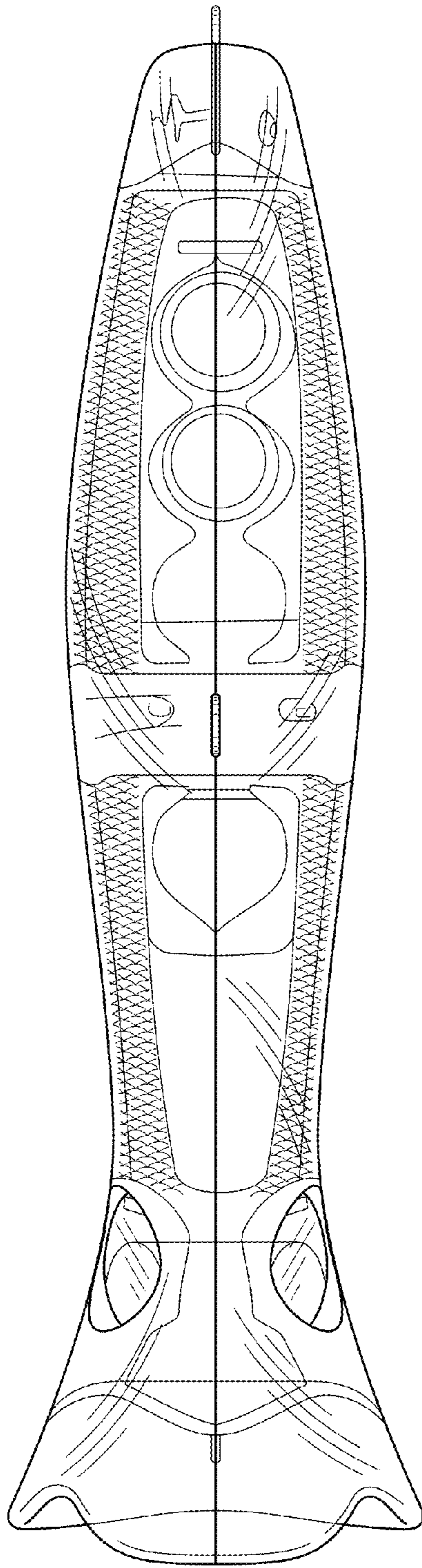


FIGURE 4

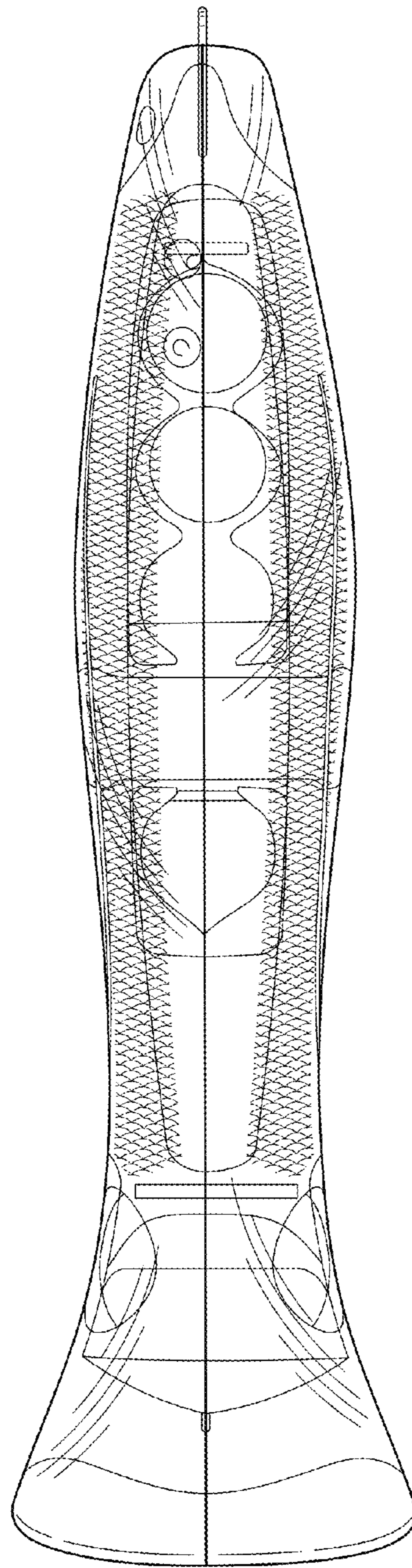


FIGURE 5

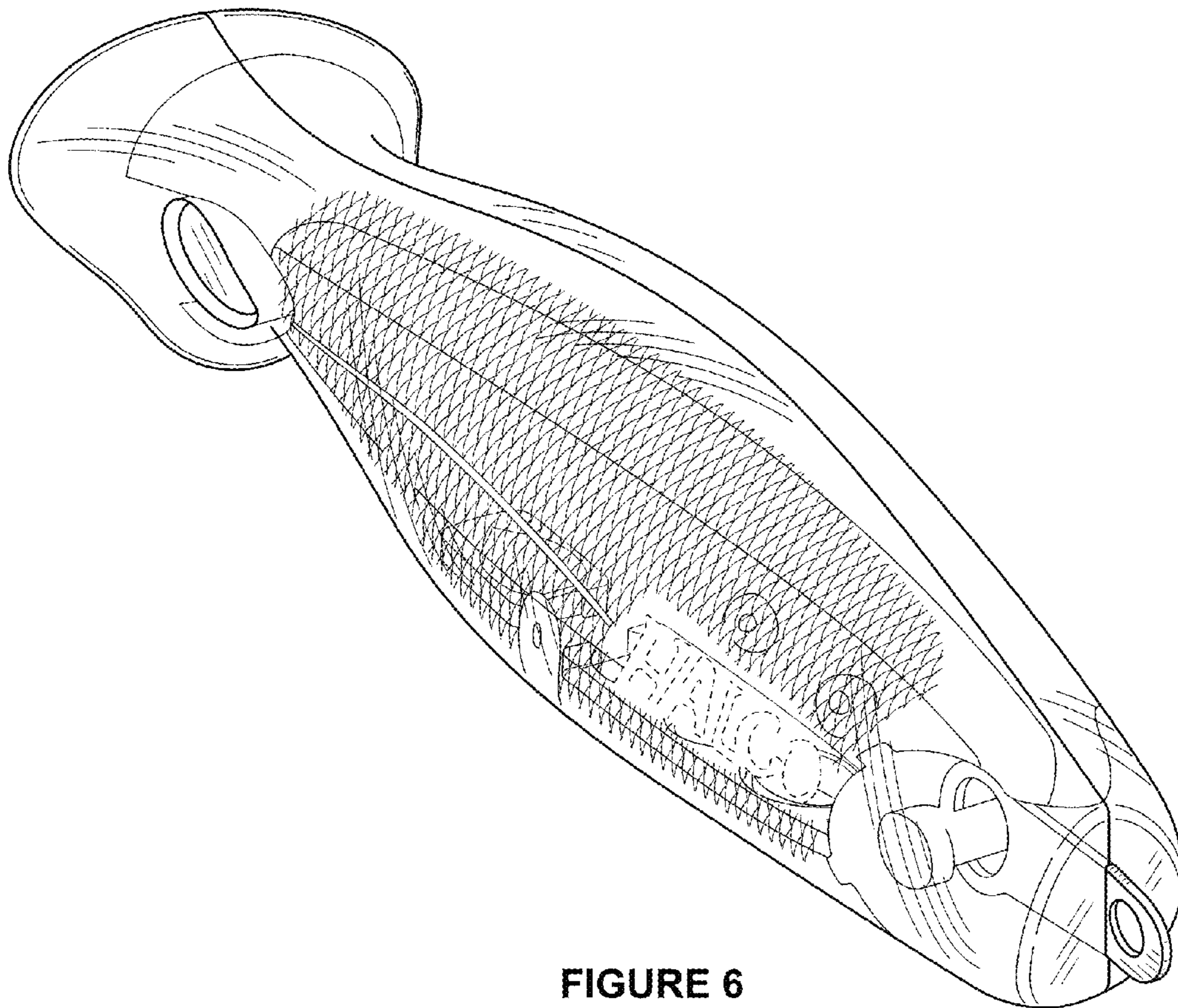


FIGURE 6